



US00D522943S

(12) **United States Design Patent**
Opoku-Agyemang

(10) **Patent No.:** **US D522,943 S**

(45) **Date of Patent:** **** Jun. 13, 2006**

(54) **SUN VISOR FOR VEHICLES**

(76) Inventor: **Maxwell Opoku-Agyemang**, 338 Park Pl., Woonsocket, RI (US) 02895

(**) Term: **14 Years**

(21) Appl. No.: **29/239,814**

(22) Filed: **Oct. 5, 2005**

(51) **LOC (8) Cl.** **12-16**

(52) **U.S. Cl.** **D12/191**

(58) **Field of Classification Search** D12/191, D12/190, 417; 224/312; D14/129, 144; 296/97.1-97.8, 296/97.9-97.13; 160/370.21-370.23, DIG. 3
See application file for complete search history.

(56) **References Cited**

U.S. PATENT DOCUMENTS

4,092,732 A	5/1978	Ouchi	
D300,919 S	* 5/1989	Svensson	D12/191
4,890,875 A	1/1990	Takahashi	
5,007,532 A	* 4/1991	Binish	296/97.1
D339,097 S	* 9/1993	Nieskes	D12/191
D346,358 S	* 4/1994	Peterson	D12/191
5,401,073 A	* 3/1995	Viertel et al.	296/97.1
D367,458 S	* 2/1996	Ziemer et al.	D12/191
5,513,892 A	5/1996	Thomas	
D375,714 S	11/1996	Laidley	

D378,206 S	* 2/1997	Kulla	D12/191
5,975,616 A	11/1999	Eple et al.	
6,126,224 A	* 10/2000	Weber	296/97.5
6,279,984 B1	8/2001	Reina	
6,474,717 B1	* 11/2002	Viertel et al.	296/97.11
6,578,895 B1	* 6/2003	Tom	296/97.1
6,598,928 B1	* 7/2003	Drake et al.	296/97.1
D501,655 S	* 2/2005	Tuccinardi et al.	D14/129
6,926,336 B1	* 8/2005	Crotty et al.	296/97.1

* cited by examiner

Primary Examiner—Stacia Cadmus

(74) *Attorney, Agent, or Firm*—Crossley Patent Law; Mark A. Crossley

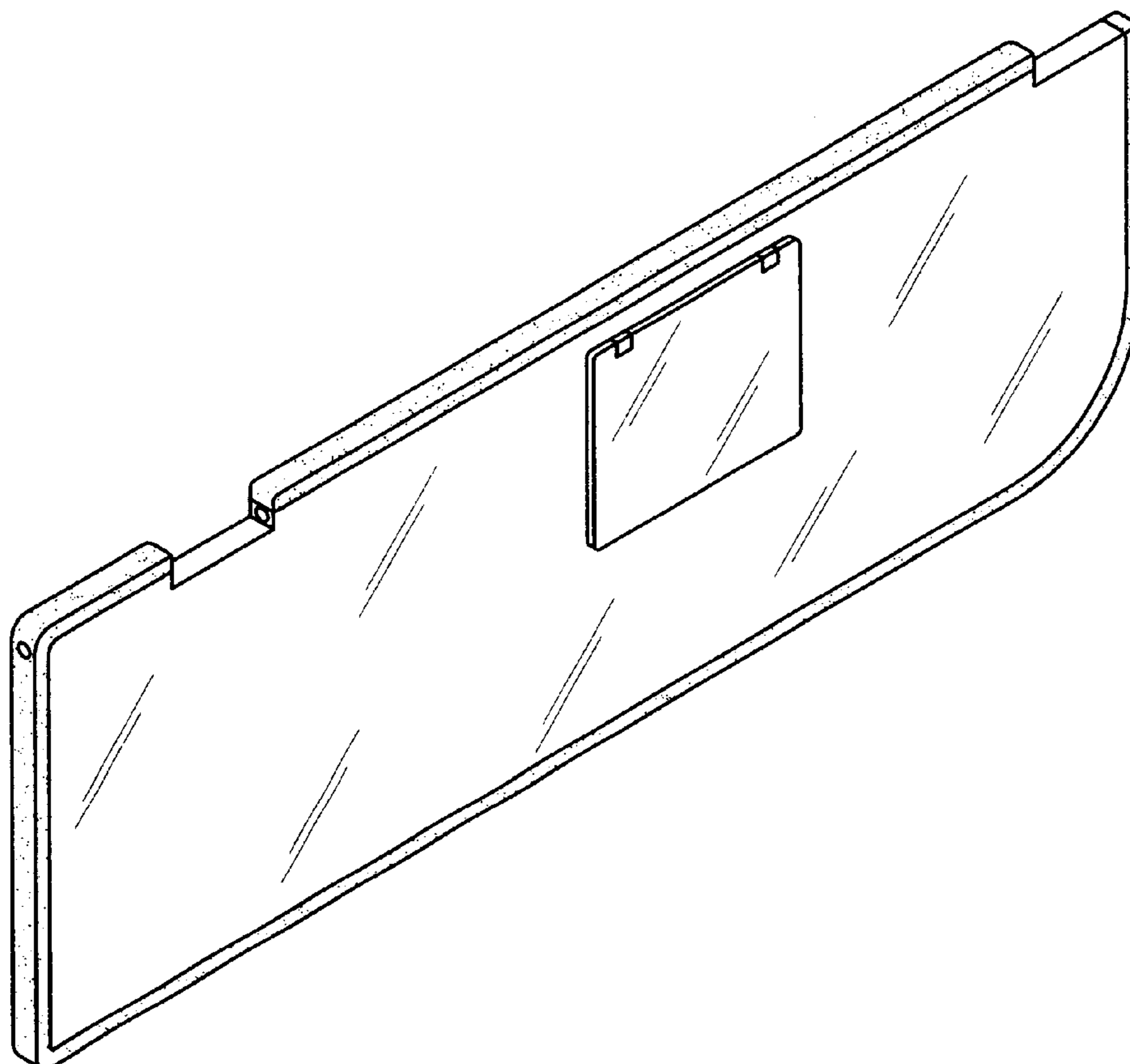
(57) **CLAIM**

The ornamental design for a sun visor for vehicles, as shown and described.

DESCRIPTION

FIG. 1 is a front elevation view of a sun visor for vehicles showing my new design;
FIG. 2 is a left side elevation view;
FIG. 3 is a right side elevation view;
FIG. 4 is a top plan view;
FIG. 5 is bottom plan view; and,
FIG. 6 is right side isometric view of a sun visor for vehicles showing my new design.

1 Claim, 2 Drawing Sheets



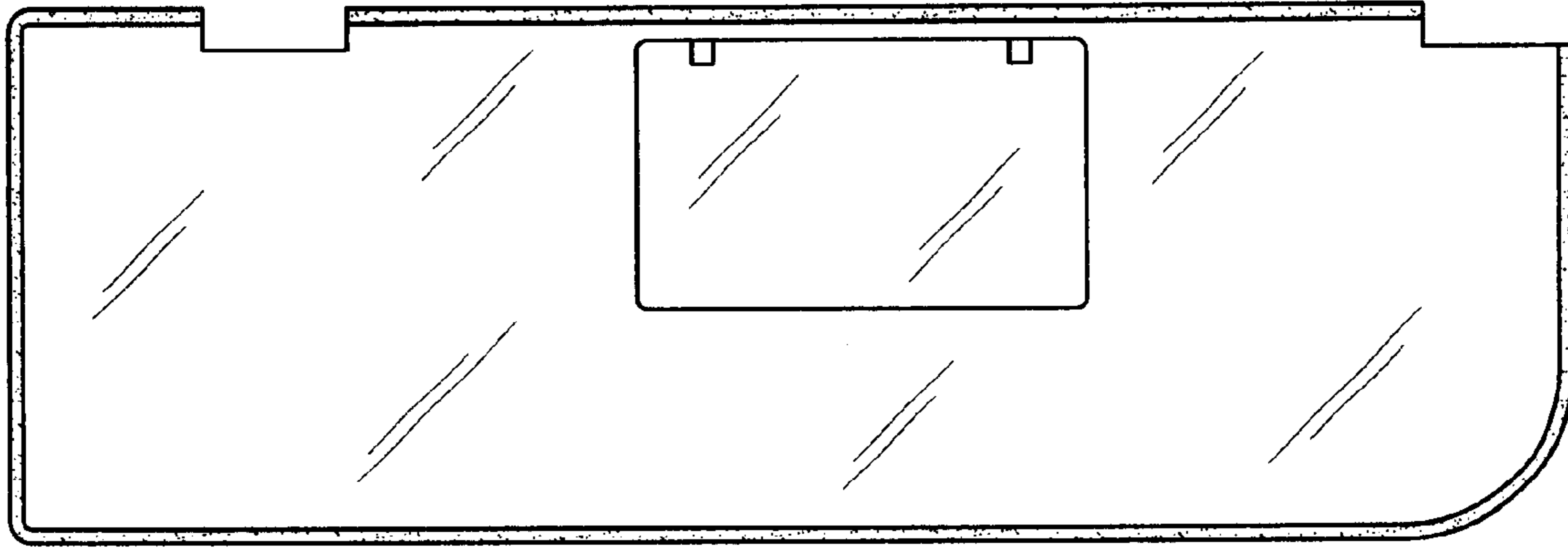


FIG. 1



FIG. 2



FIG. 3



FIG. 4

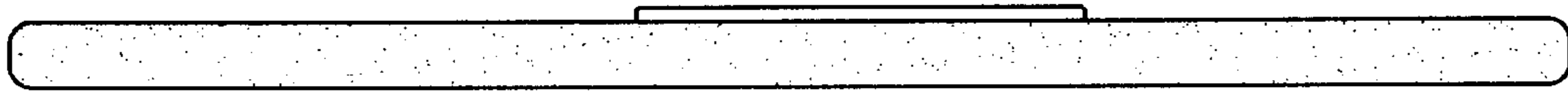


FIG. 5

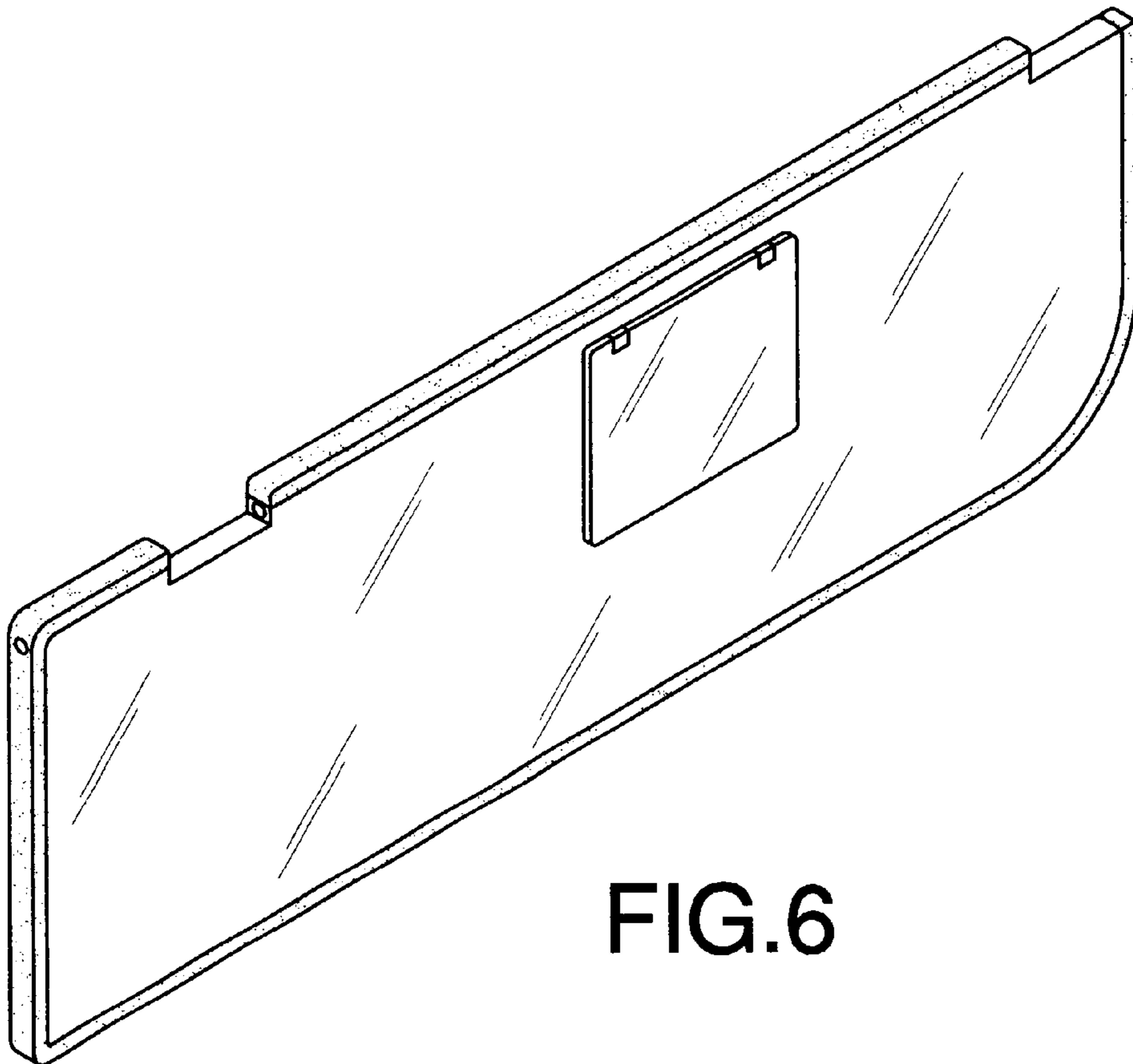


FIG. 6