



US00D522930S

(12) **United States Design Patent**  
**Stahel et al.**

(10) **Patent No.:** **US D522,930 S**  
(45) **Date of Patent:** **\*\* Jun. 13, 2006**

(54) **VALVE COVER FOR A MOTORCYCLE ENGINE**

(75) Inventors: **Alwin J. Stahel**, St. Paul, MN (US);  
**Brian K. Stahel**, New Brighton, MN (US)

(73) Assignee: **Kuryakyn Holdings, Inc.**, Somerset, WI (US)

(\*\*) Term: **14 Years**

(21) Appl. No.: **29/221,507**

(22) Filed: **Jan. 18, 2005**

(51) **LOC (8) Cl.** ..... **12-11**

(52) **U.S. Cl.** ..... **D12/126**

(58) **Field of Classification Search** ..... D12/110,  
D12/114, 126; D15/1, 3, 5; 123/54.4, 311,  
123/193.5, 190.38, 195 C, 198 E, 90.4, 90.38;  
180/219; 280/288.4, 304.3

See application file for complete search history.

(56) **References Cited**

**U.S. PATENT DOCUMENTS**

D274,053 S 5/1984 Stahel ..... D12/126  
D280,495 S 9/1985 Stahel ..... D12/126

**OTHER PUBLICATIONS**

Kuryakyn Catalog, cover page and display page of Honda Motorcycle, published spring 2001.  
Kuryakyn Catalog, published spring 2001, p. 45.

Kuryakyn Metric Cruisers Catalog, published 2002, cover page and p. 3.

Kuryakyn Metric Cruisers Catalog, published 2002, cover page and inside cover, and pp. 43–52.

*Primary Examiner*—Alan P. Douglas

*Assistant Examiner*—Linda Brooks

(74) *Attorney, Agent, or Firm*—Dicke, Billig & Czaja

(57) **CLAIM**

The ornamental design for a valve cover for a motorcycle engine, as shown and described.

**DESCRIPTION**

FIG. 1 is a perspective view of a valve cover for a motorcycle engine embodying our new design with a portion of a motorcycle shown in dotted lines;

FIG. 2 is a top plan view;

FIG. 3 is a right side view thereof;

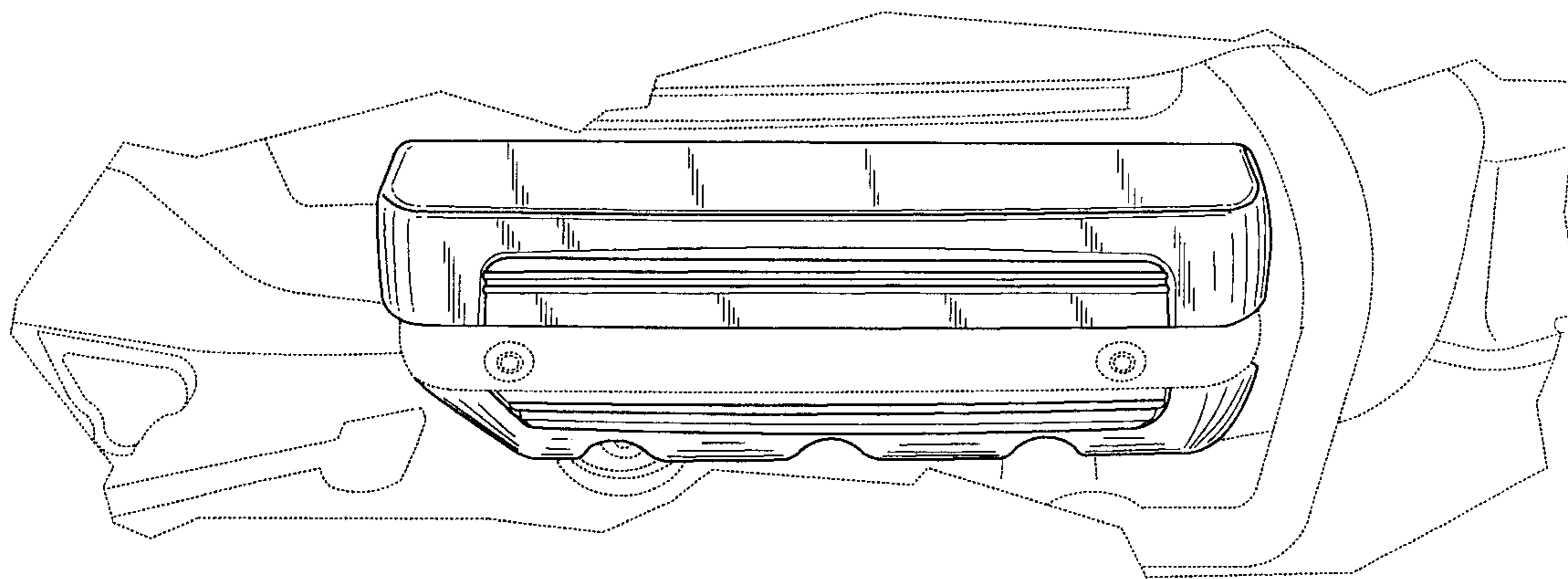
FIG. 4 is a front elevational view thereof;

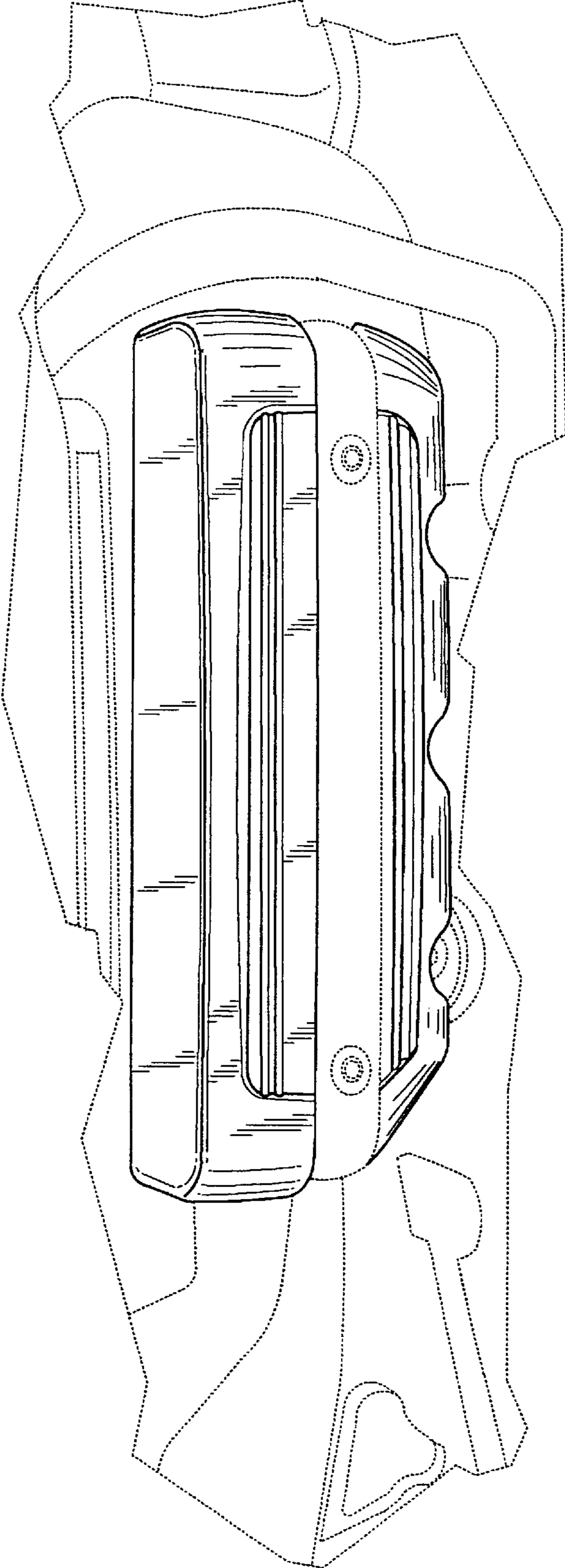
FIG. 5 is a rear elevational view thereof;

FIG. 6 is a left side view thereof; and,

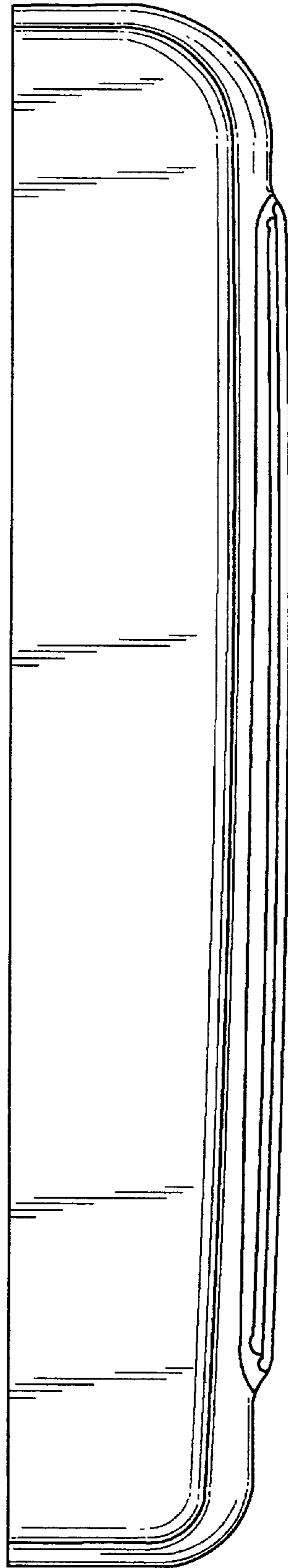
FIG. 7 is a bottom plan view thereof, the dotted line representations form no part of the claimed design.

**1 Claim, 6 Drawing Sheets**

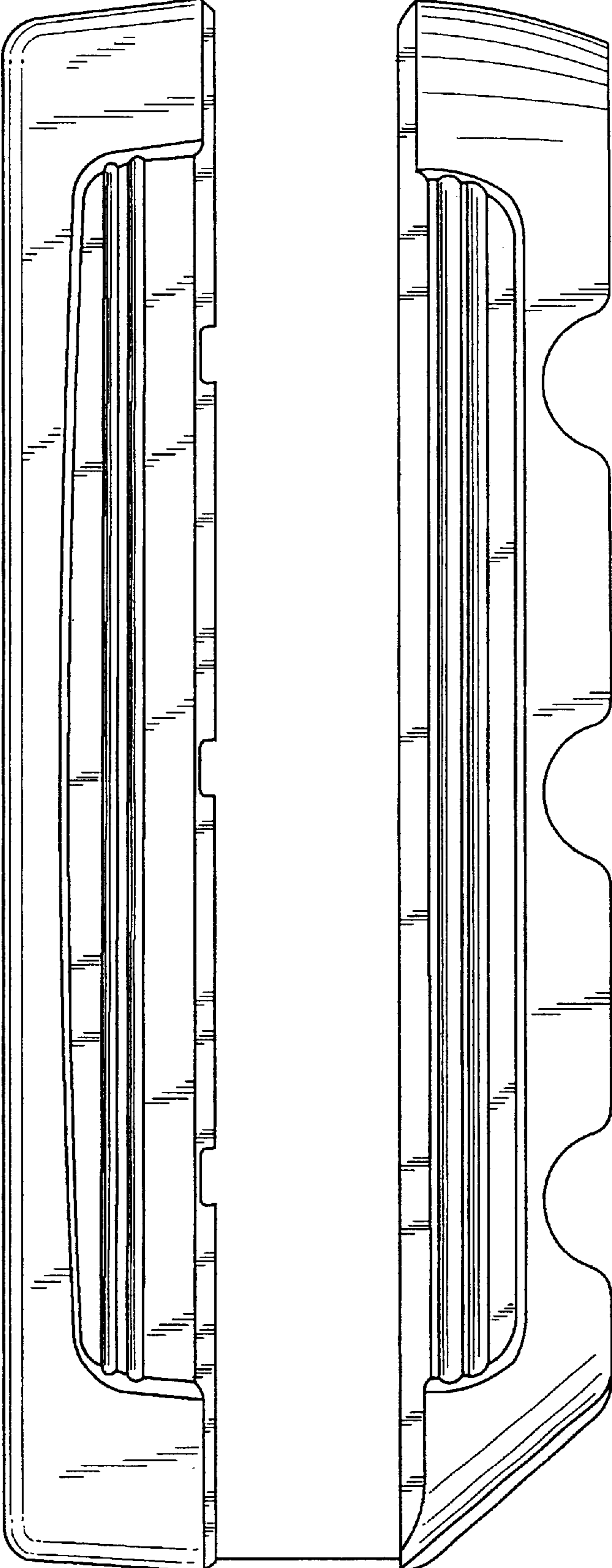




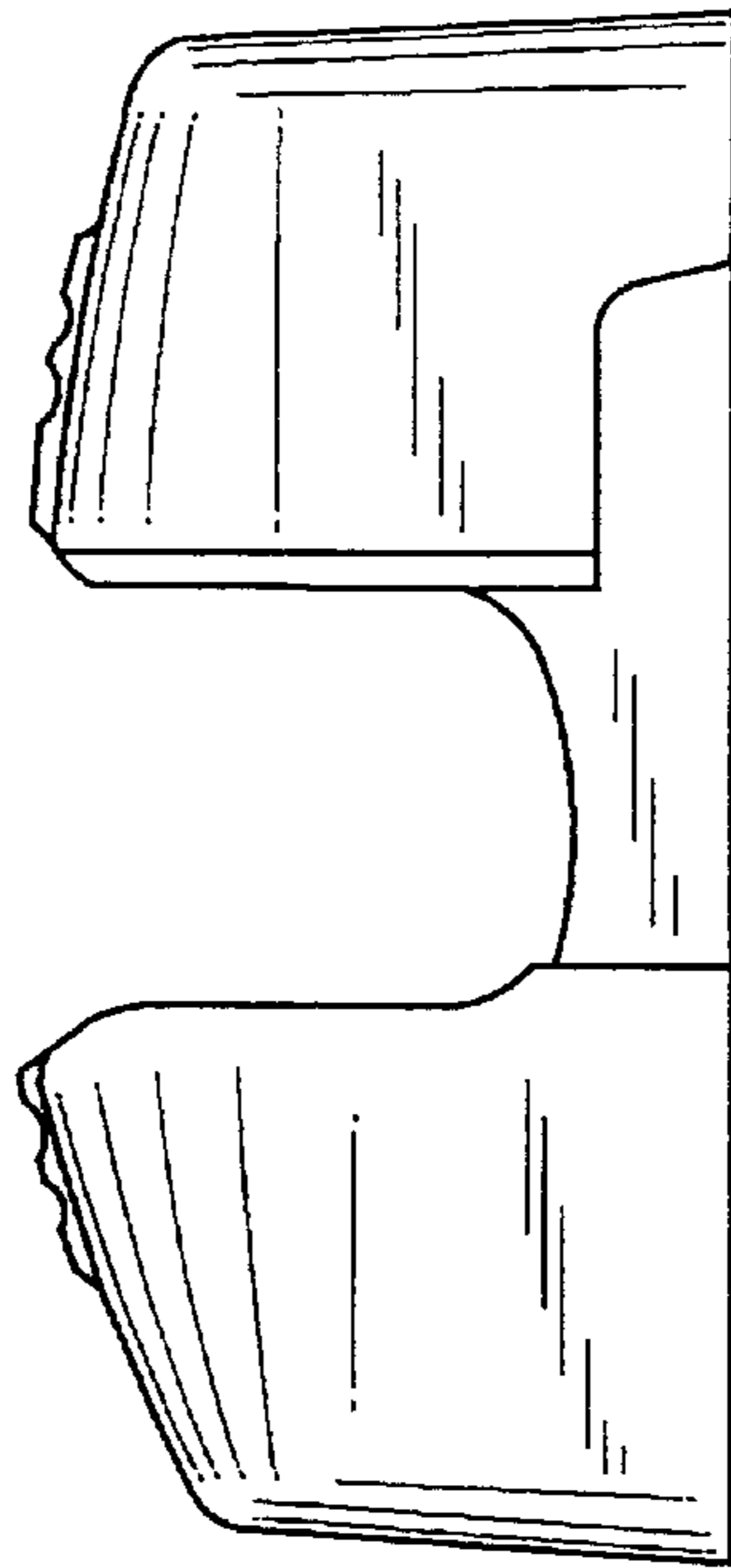
*Fig. 1*



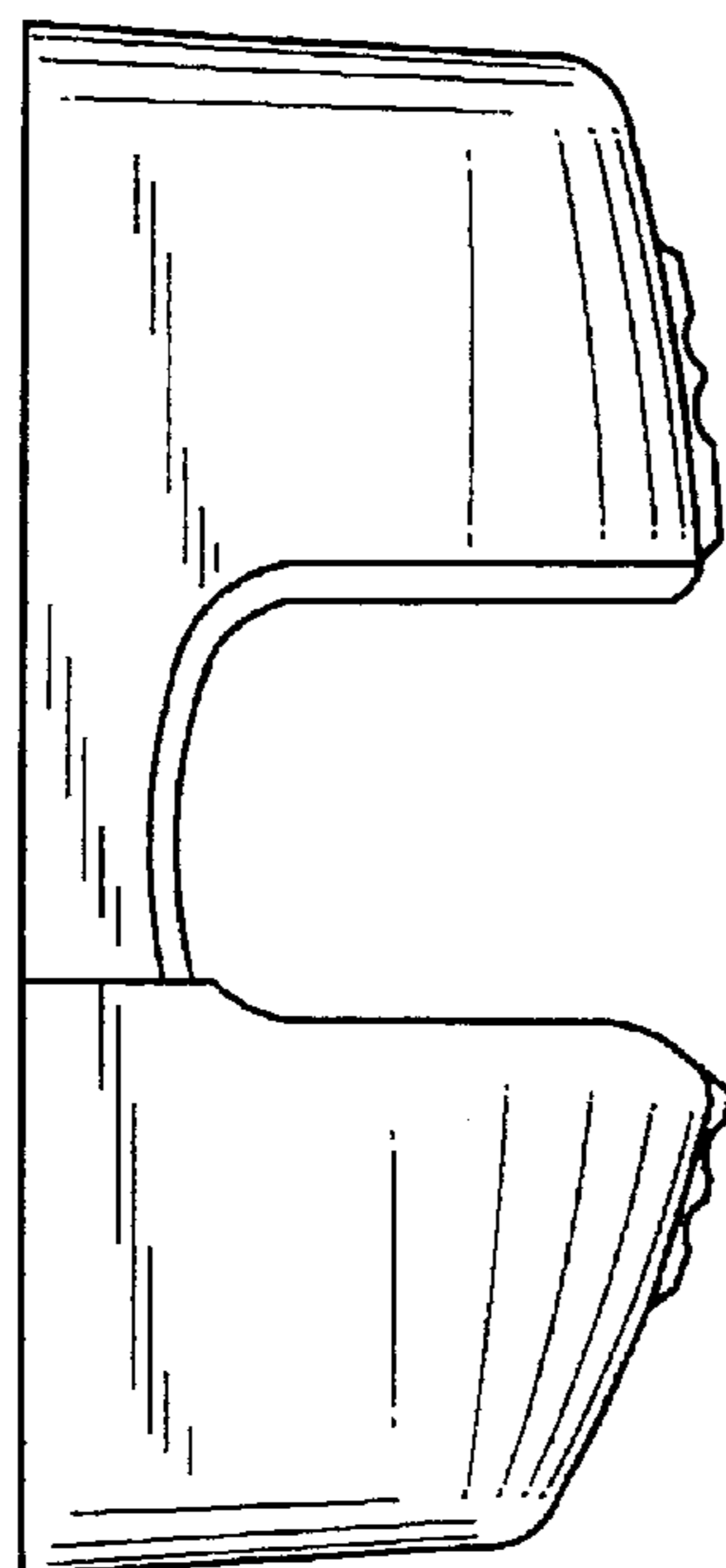
*Fig. 2*



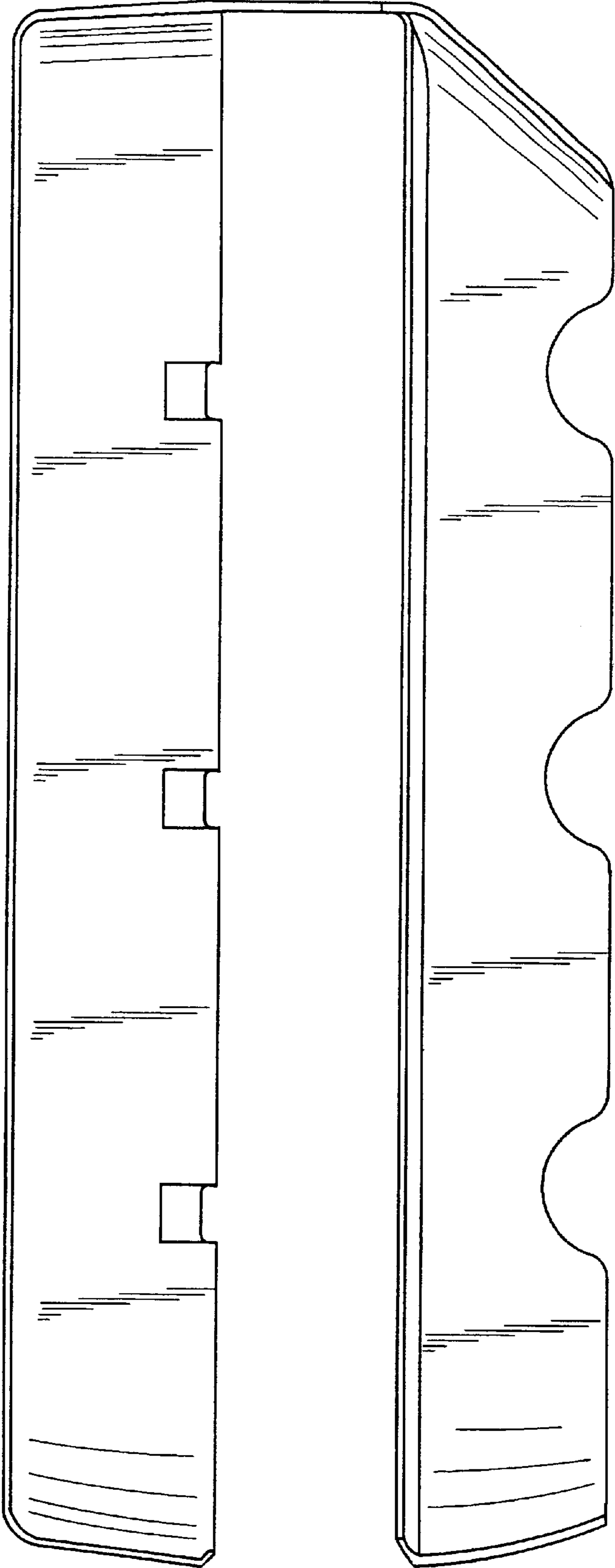
*Fig. 3*



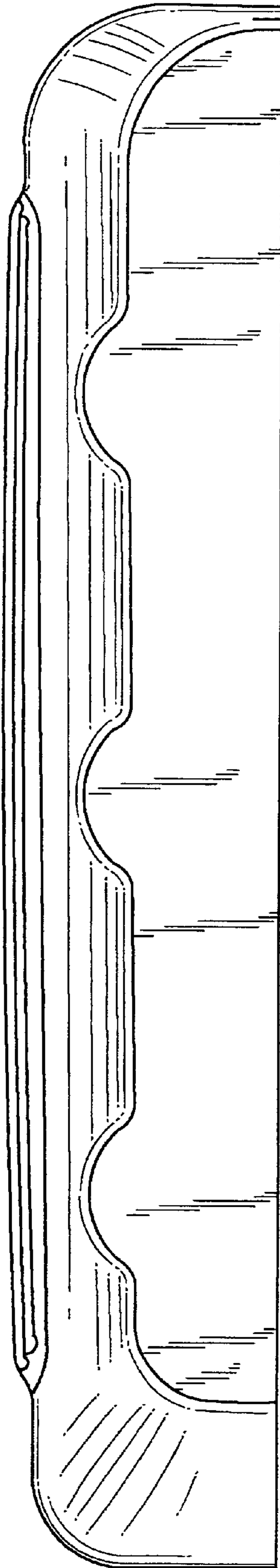
*Fig. 4*



*Fig. 5*



*Fig. 6*



*Fig. 7*