

US00D522928S

(12) **United States Design Patent**  
**Brown et al.**

(10) **Patent No.: US D522,928 S**  
(45) **Date of Patent: \*\* Jun. 13, 2006**

(54) **MOTORCYCLE FRAME**

D494,107 S \* 8/2004 Lin ..... D12/110  
D498,708 S 11/2004 James ..... D12/110

(75) Inventors: **Duane Brown**, Ravensdale, WA (US);  
**Chris Brown**, Auburn, WA (US); **Kurt Hall**, Olympia, WA (US)

\* cited by examiner

(73) Assignee: **BBR Motorsports, Inc.**, Auburn, WA (US)

*Primary Examiner*—Alan P. Douglas  
*Assistant Examiner*—Linda Brooks  
(74) *Attorney, Agent, or Firm*—Seed IP Law Group PLLC

(\*\*) Term: **14 Years**

(57) **CLAIM**

(21) Appl. No.: **29/241,351**

The ornamental design for a motorcycle frame, as shown and described.

(22) Filed: **Oct. 26, 2005**

**Related U.S. Application Data**

**DESCRIPTION**

(62) Division of application No. 29/224,602, filed on Mar. 2, 2005.

FIG. 1 is an isometric projection of a top side view of a motorcycle frame showing our new design.

(51) **LOC (8) Cl.** ..... **12-11**

FIG. 2 is a top plan view thereof;

(52) **U.S. Cl.** ..... **D12/110**

FIG. 3 is an elevational front view thereof;

(58) **Field of Classification Search** ..... D12/110,  
D12/117; 180/219, 311, 312; 280/281.1,  
280/288.1–288.3

FIG. 4 is an elevational rear view thereof;

See application file for complete search history.

FIG. 5 is an elevational view of a first side thereof;

FIG. 6 is an elevational view of a second side thereof; and,

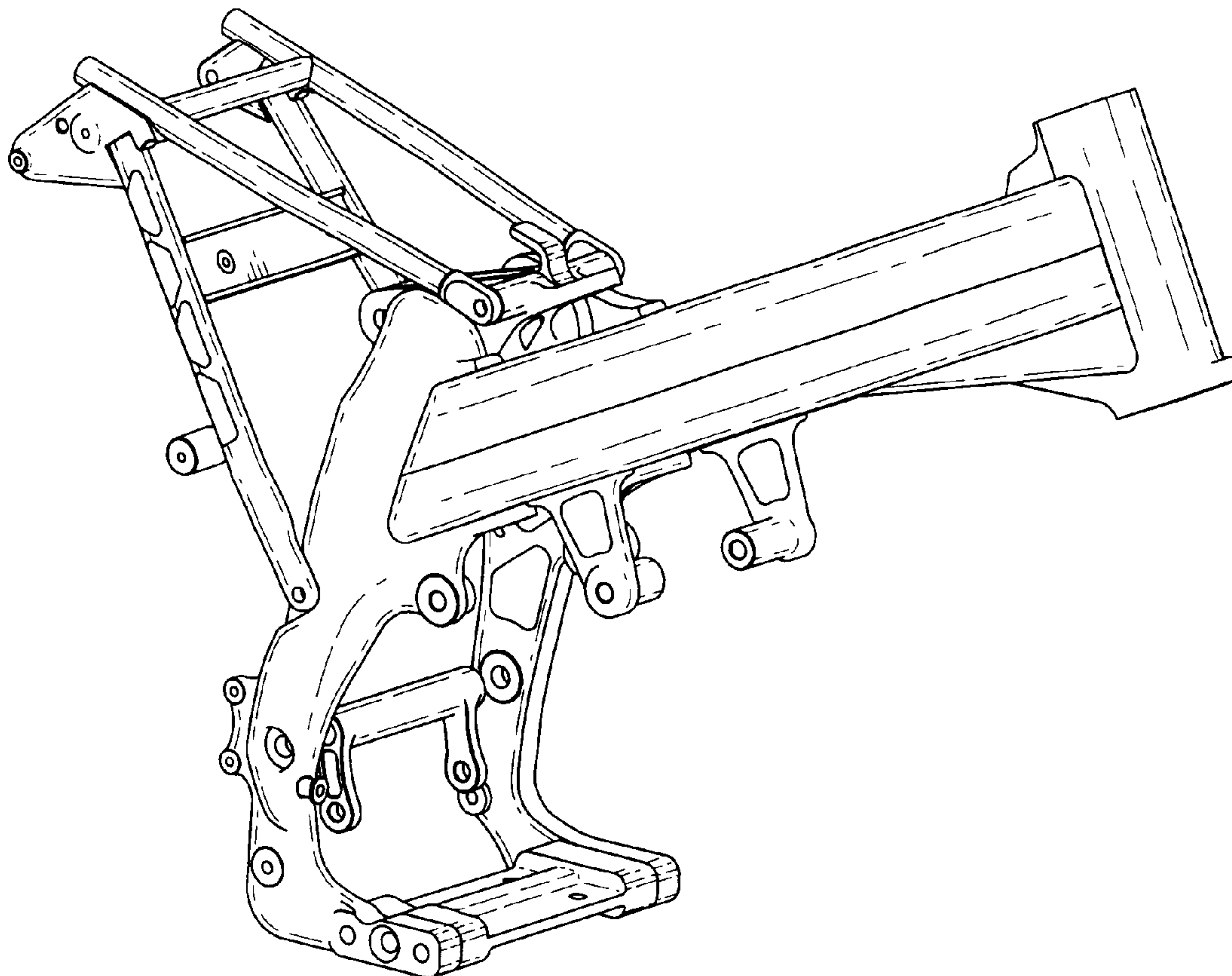
FIG. 7 is a bottom plan thereof.

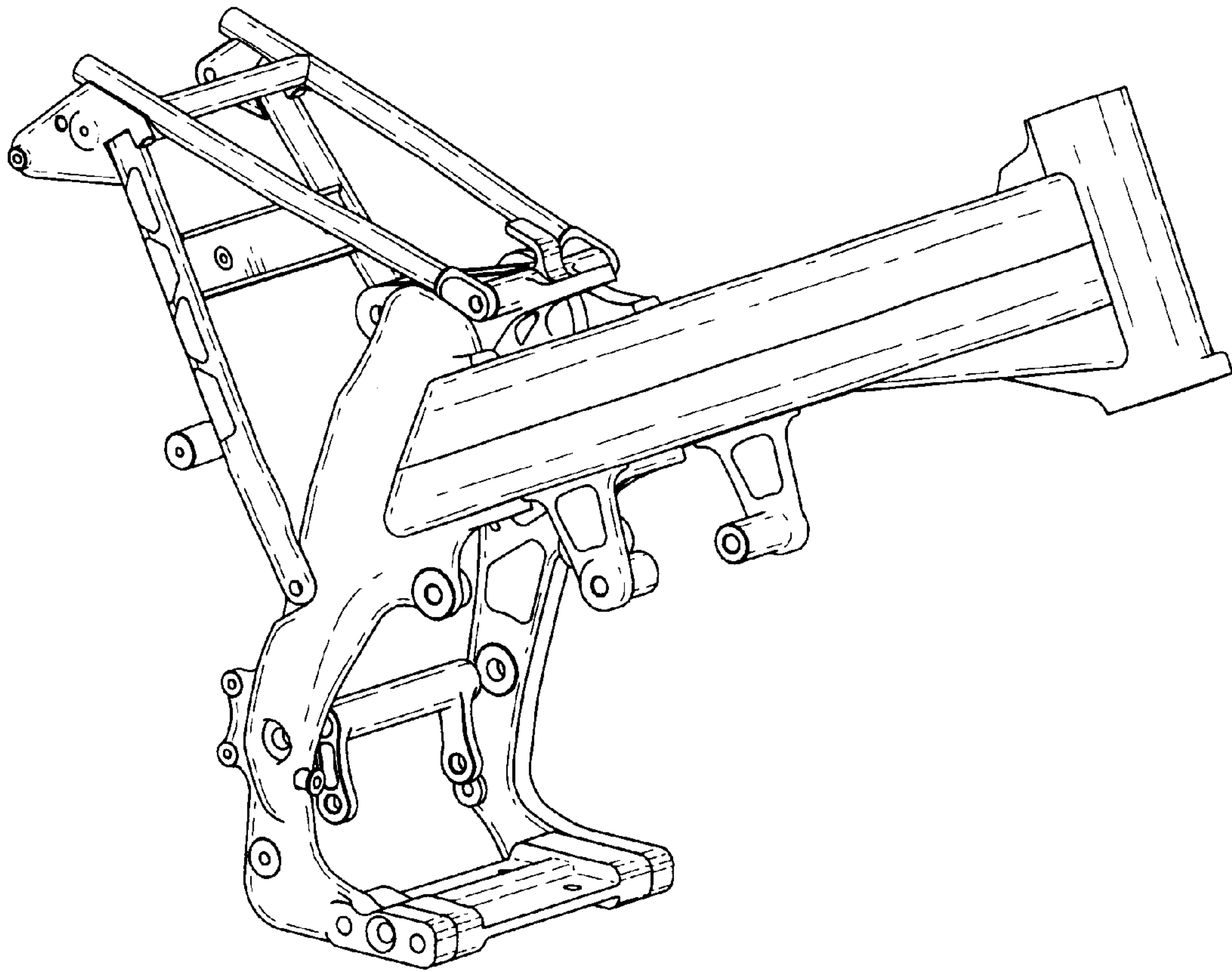
(56) **References Cited**

**U.S. PATENT DOCUMENTS**

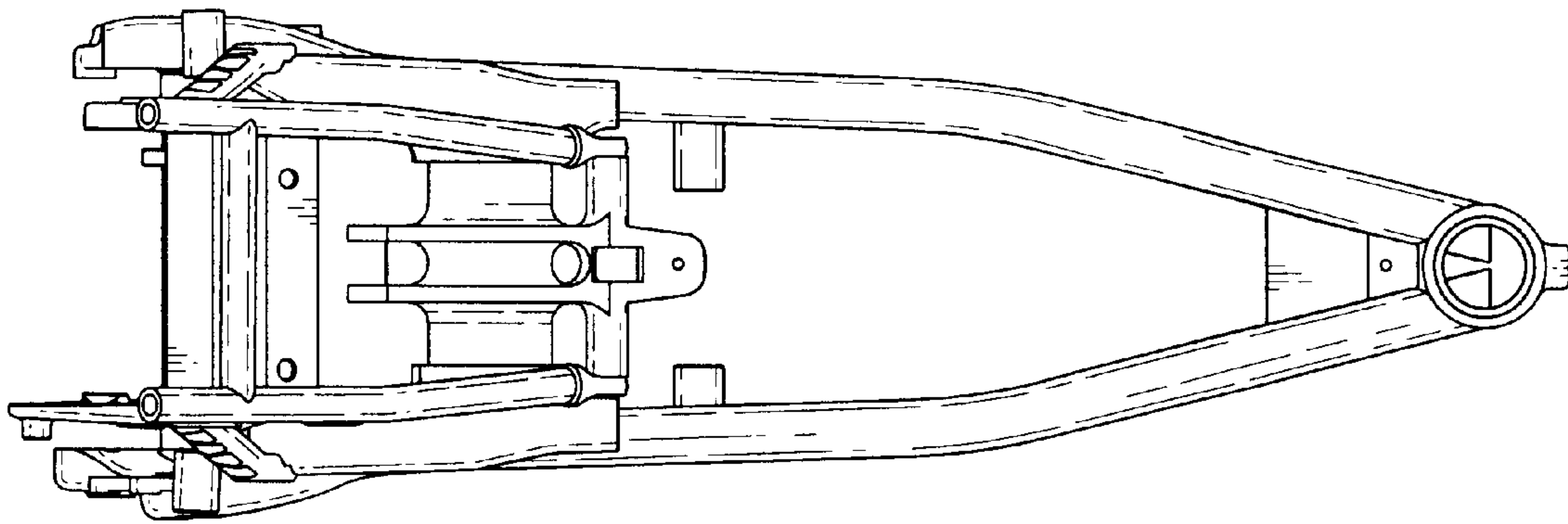
D212,404 S \* 10/1968 Bauer et al. .... D12/110

**1 Claim, 7 Drawing Sheets**

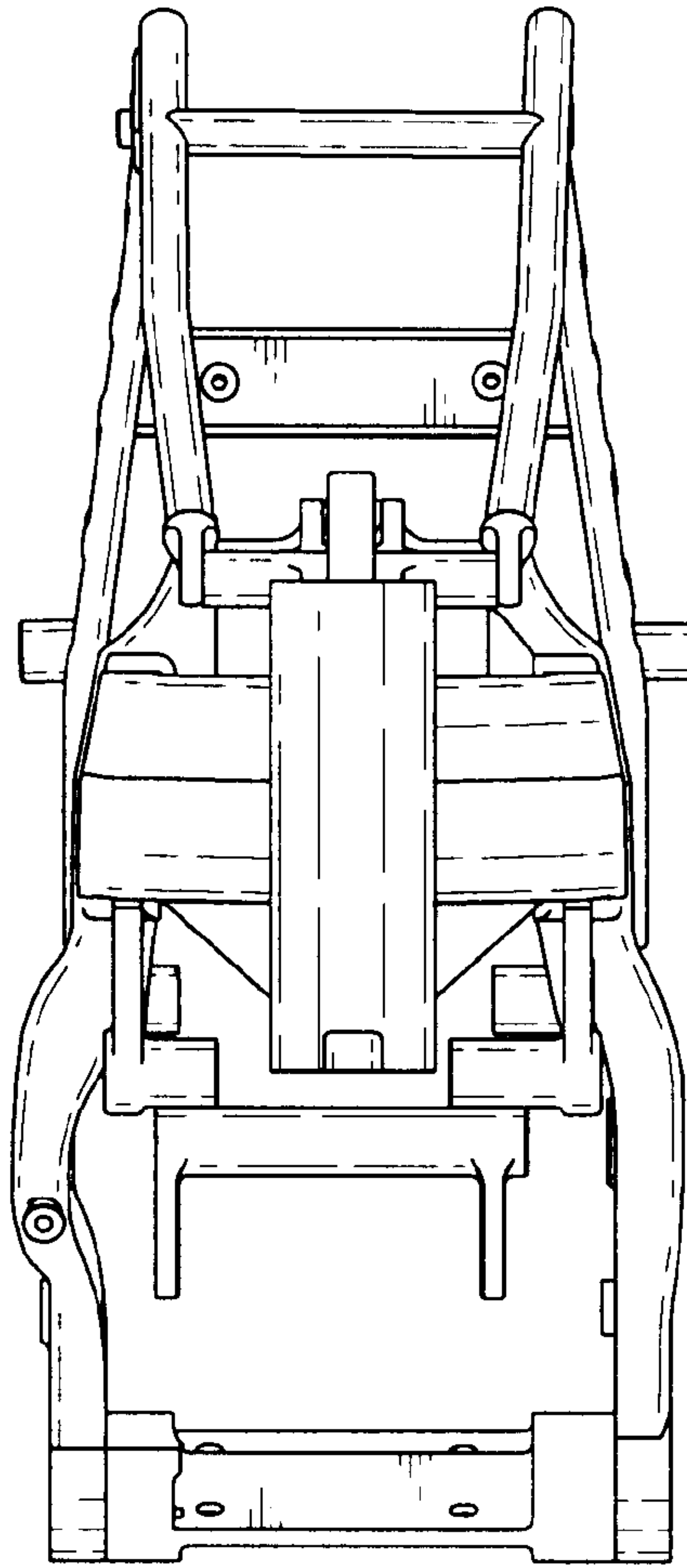




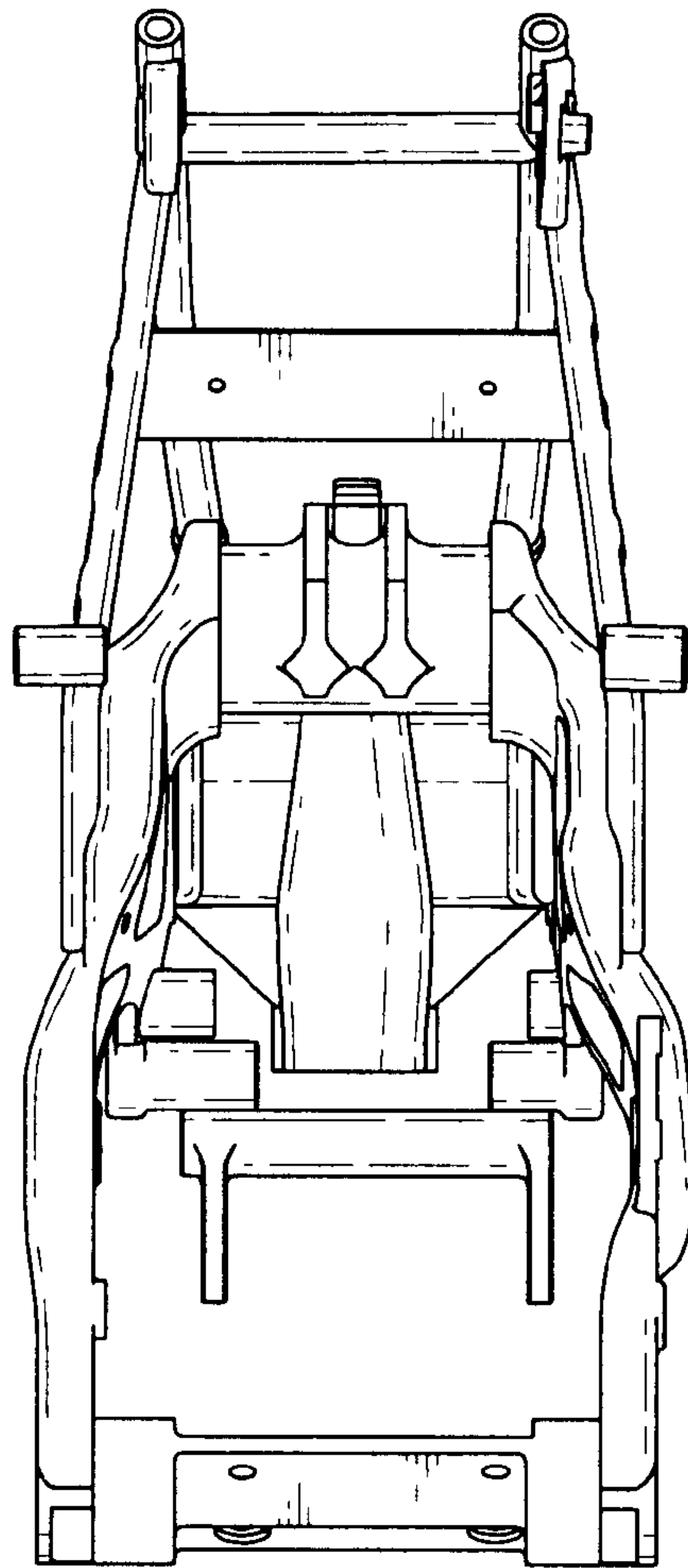
*FIG. 1*



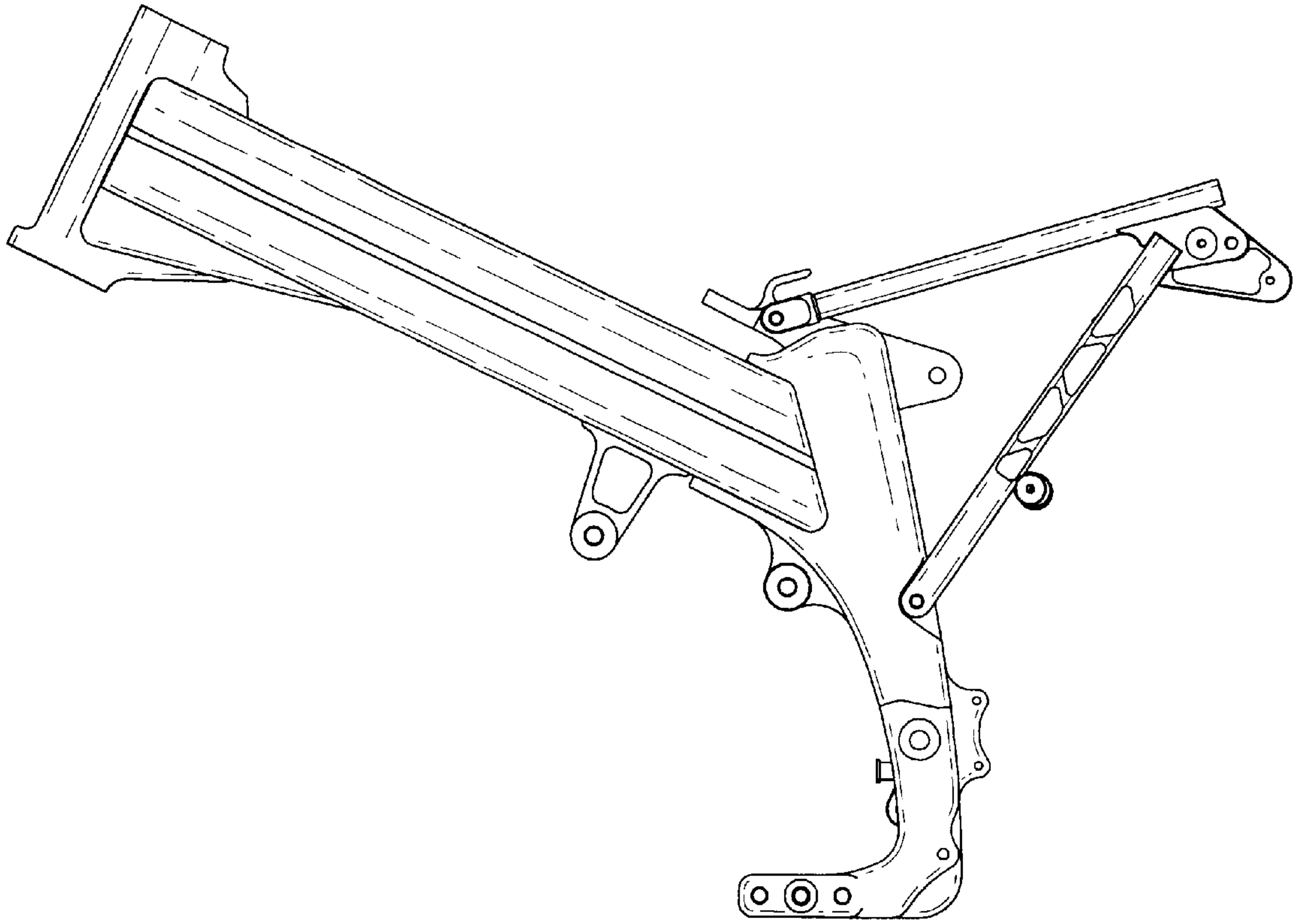
*FIG. 2*



*FIG. 3*

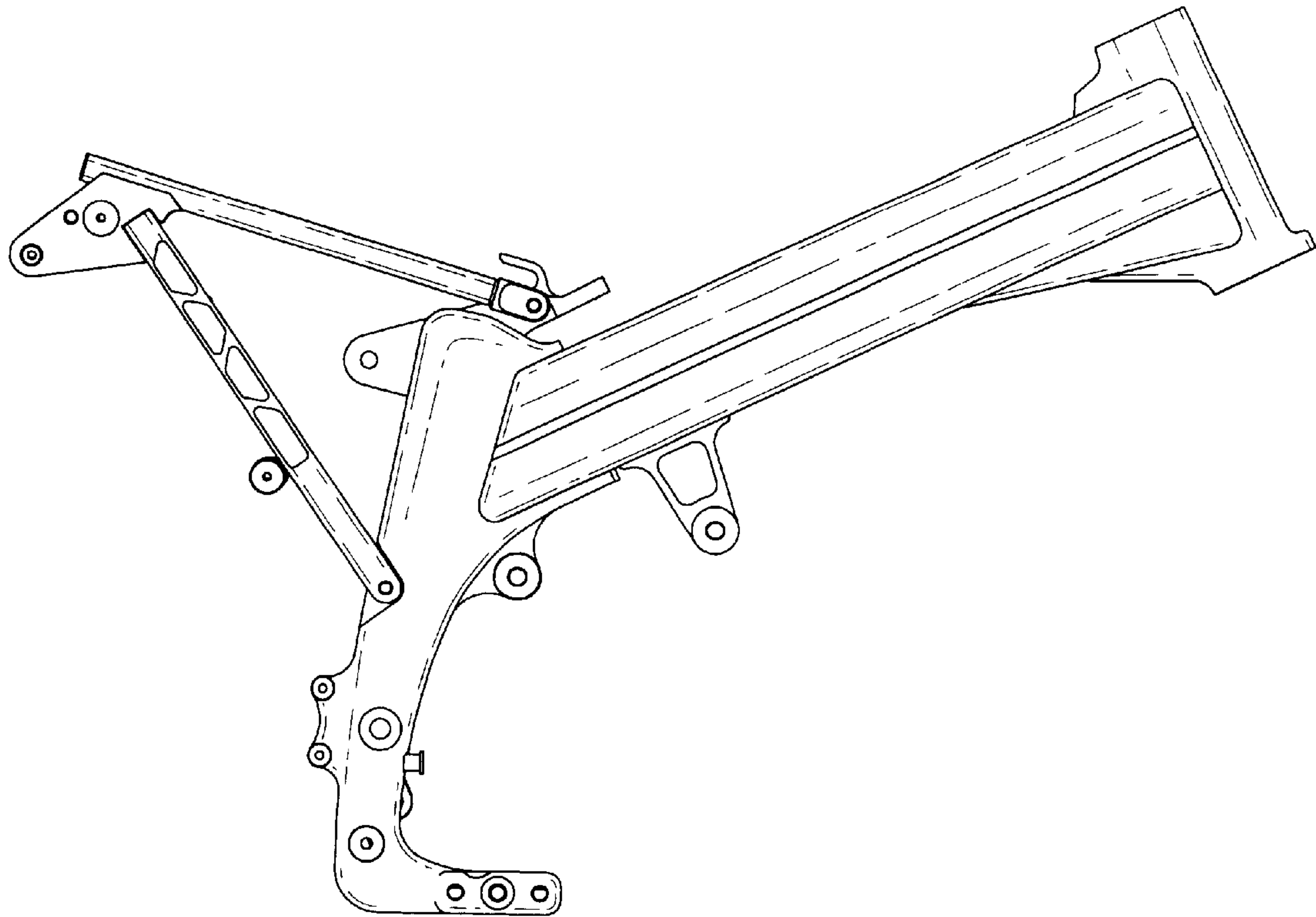


*FIG. 4*

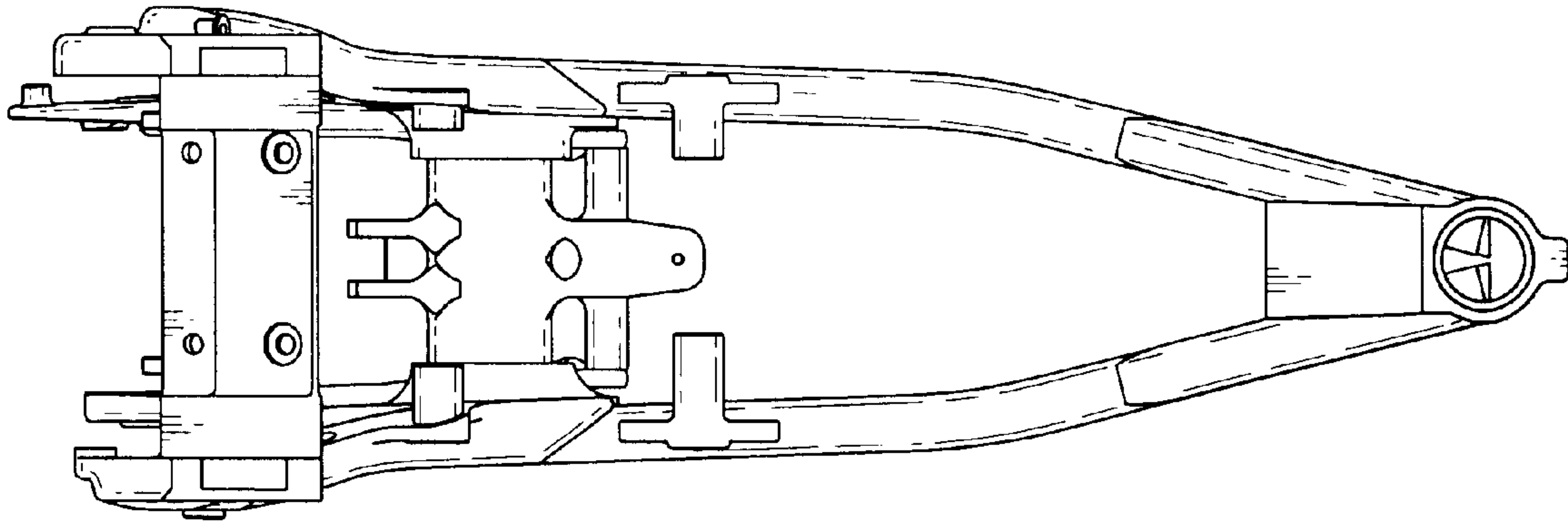


*FIG. 5*





*FIG. 6*



*FIG. 7*