

US00D522924S

(12) **United States Design Patent**  
**Yokoyama et al.**

(10) **Patent No.:** **US D522,924 S**

(45) **Date of Patent:** **\*\* Jun. 13, 2006**

(54) **FOUR WHEELED MOTOR VEHICLE**

(75) Inventors: **Kazuhiko Yokoyama**, Wako (JP);  
**Manabu Ichikawa**, Wako (JP); **Tetsuya Nakazawa**, Wako (JP); **Kazuhiro Kudo**, Wako (JP)

(73) Assignee: **Honda Motor Co., Ltd.**, Tokyo (JP)

(\*\*) Term: **14 Years**

(21) Appl. No.: **29/235,389**

(22) Filed: **Aug. 2, 2005**

**Related U.S. Application Data**

(63) Continuation of application No. 29/200,825, filed on Mar. 5, 2004, now abandoned.

(30) **Foreign Application Priority Data**

Sep. 8, 2003 (JP) ..... 2003-026139

(51) **LOC (8) Cl.** ..... **12-11**

(52) **U.S. Cl.** ..... **D12/107**

(58) **Field of Classification Search** ..... D12/3,  
D12/86, 87, 107, 110; 180/225, 229, 233,  
180/311, 312, 315

See application file for complete search history.

(56) **References Cited**

**U.S. PATENT DOCUMENTS**

D374,416 S 10/1996 Miyamoto et al.  
D428,363 S 7/2000 Sugimoto et al.  
D429,663 S 8/2000 Tamashima et al.

**FOREIGN PATENT DOCUMENTS**

JP 1179663 7/2003

*Primary Examiner*—Alan P. Douglas

*Assistant Examiner*—Linda Brooks

(74) *Attorney, Agent, or Firm*—Arent Fox PLLC

(57) **CLAIM**

The ornamental design for a four wheeled motor vehicle, as shown and described.

**DESCRIPTION**

FIG. 1 is a front view of a four wheeled motor vehicle showing our design.

FIG. 2 is a rear view thereof.

FIG. 3 is a plan view thereof.

FIG. 4 is a bottom view thereof.

FIG. 5 is a right side view thereof.

FIG. 6 is a left side view thereof.

FIG. 7 is a front perspective view thereof seen from the right side.

FIG. 8 is a front perspective view thereof seen from the left side.

FIG. 9 is a rear perspective view thereof seen from the right side.

FIG. 10 is a rear perspective view thereof seen from the left side.

FIG. 11 is a front view of a second embodiment of a four wheeled motor vehicle showing our new design.

FIG. 12 is a rear view thereof.

FIG. 13 is a plan view thereof.

FIG. 14 is a bottom view thereof.

FIG. 15 is a right side view thereof.

FIG. 16 is a left side view thereof.

FIG. 17 is a front perspective thereof seen from the right side.

FIG. 18 is a front perspective view thereof from the left side.

FIG. 19 is a rear perspective view thereof from the right side; and,

FIG. 20 is a rear perspective view thereof seen from the left side.

**1 Claim, 10 Drawing Sheets**

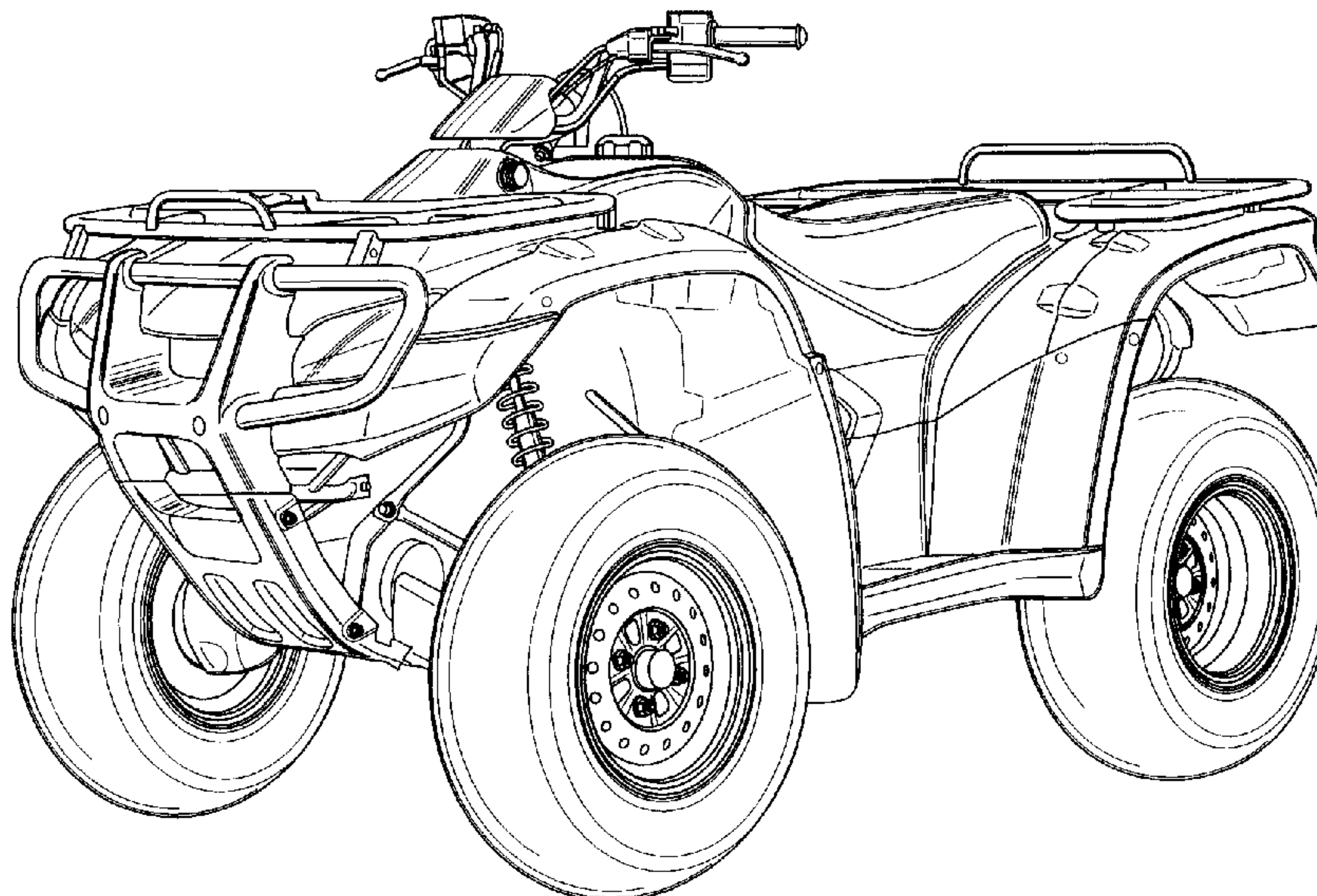


FIG.1

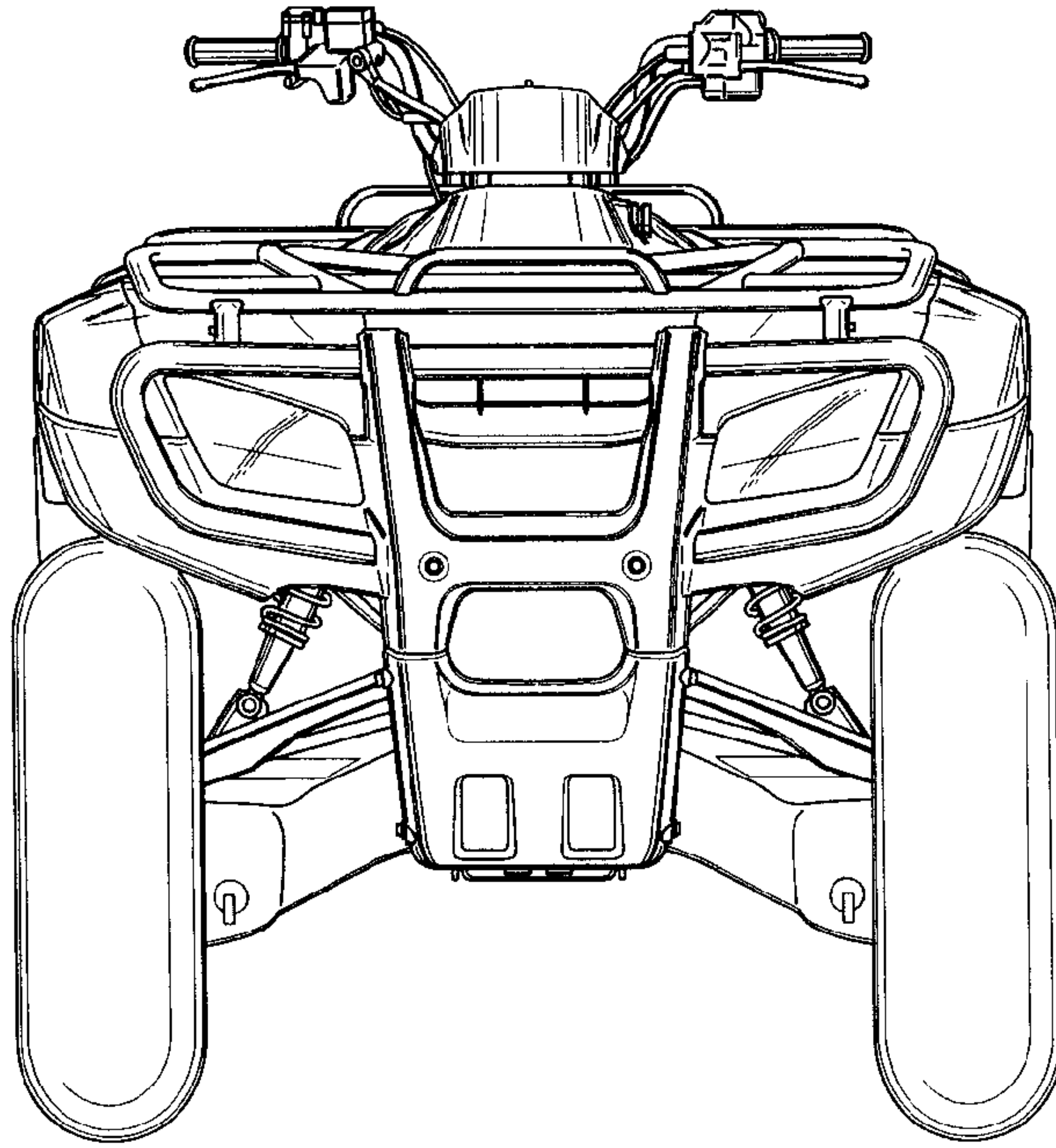


FIG.2

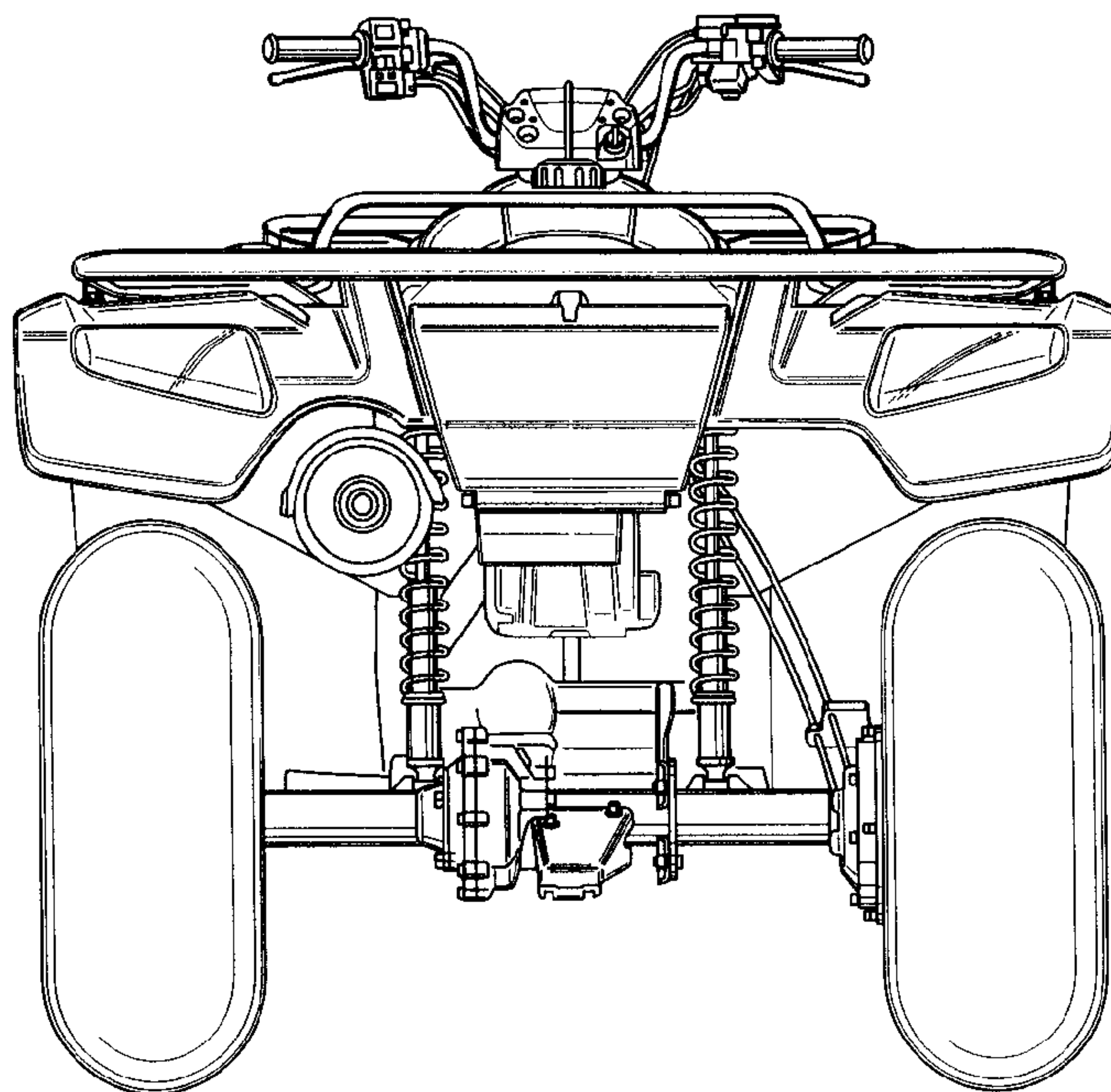




FIG.3

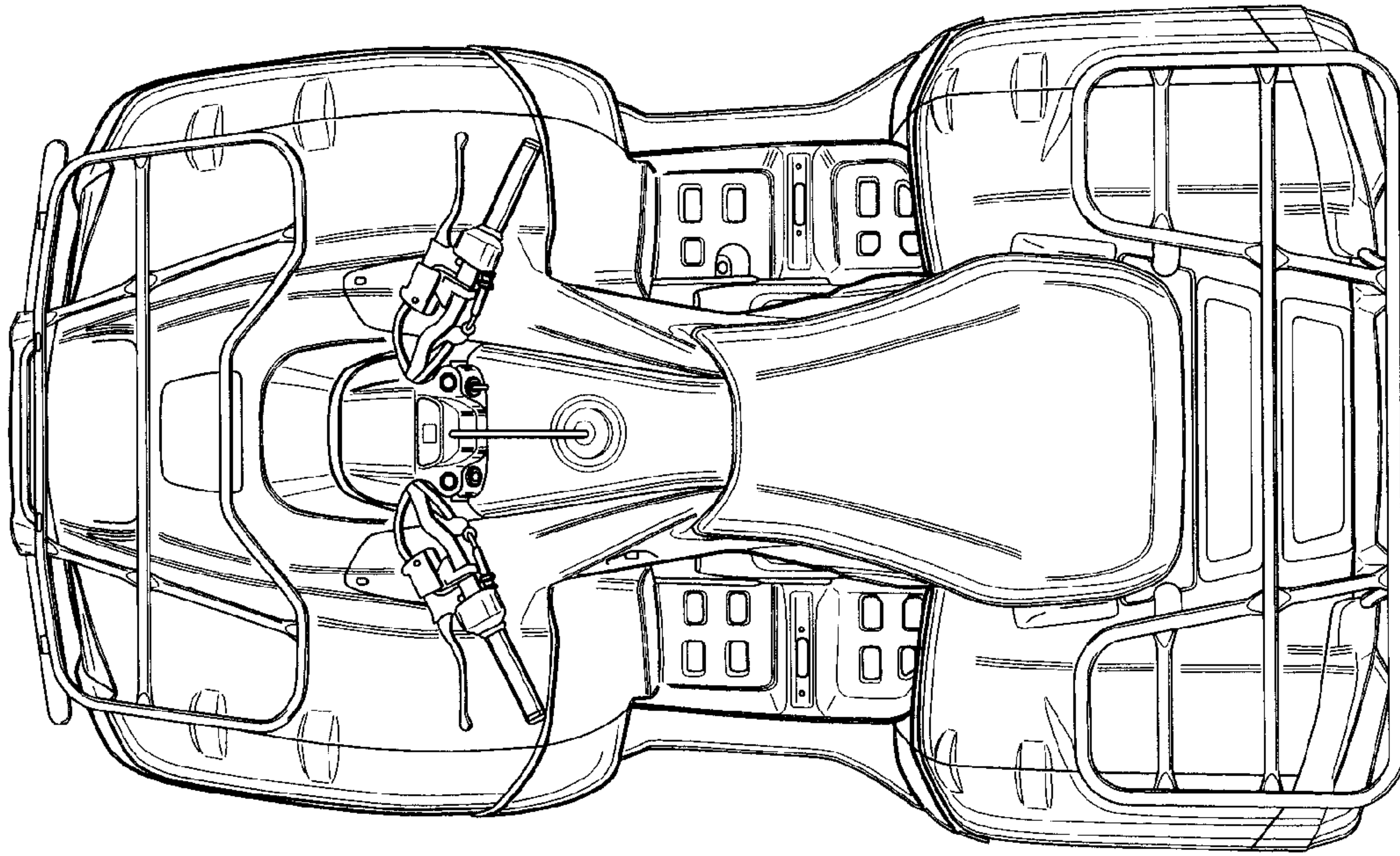


FIG.4

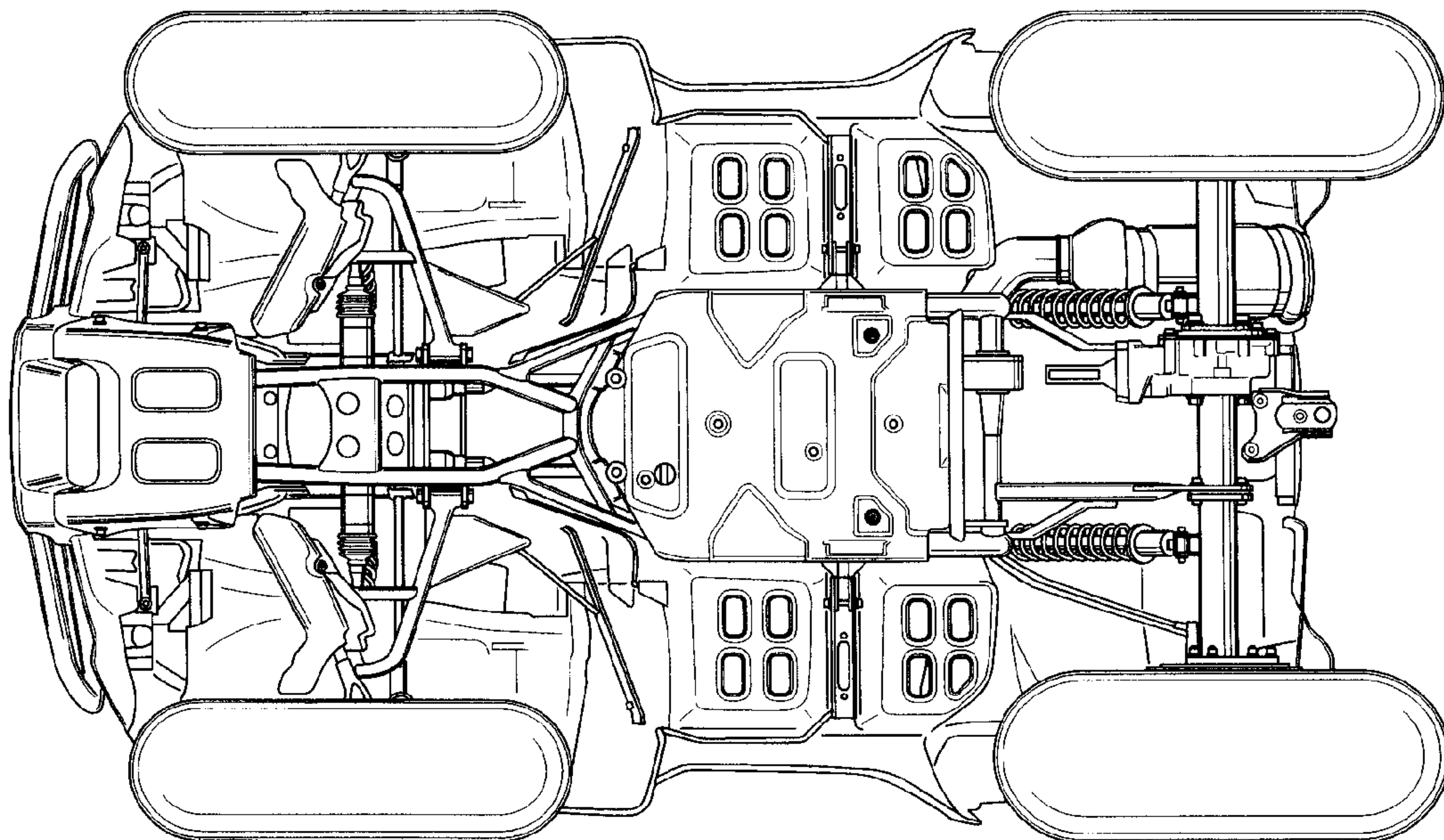


FIG.5

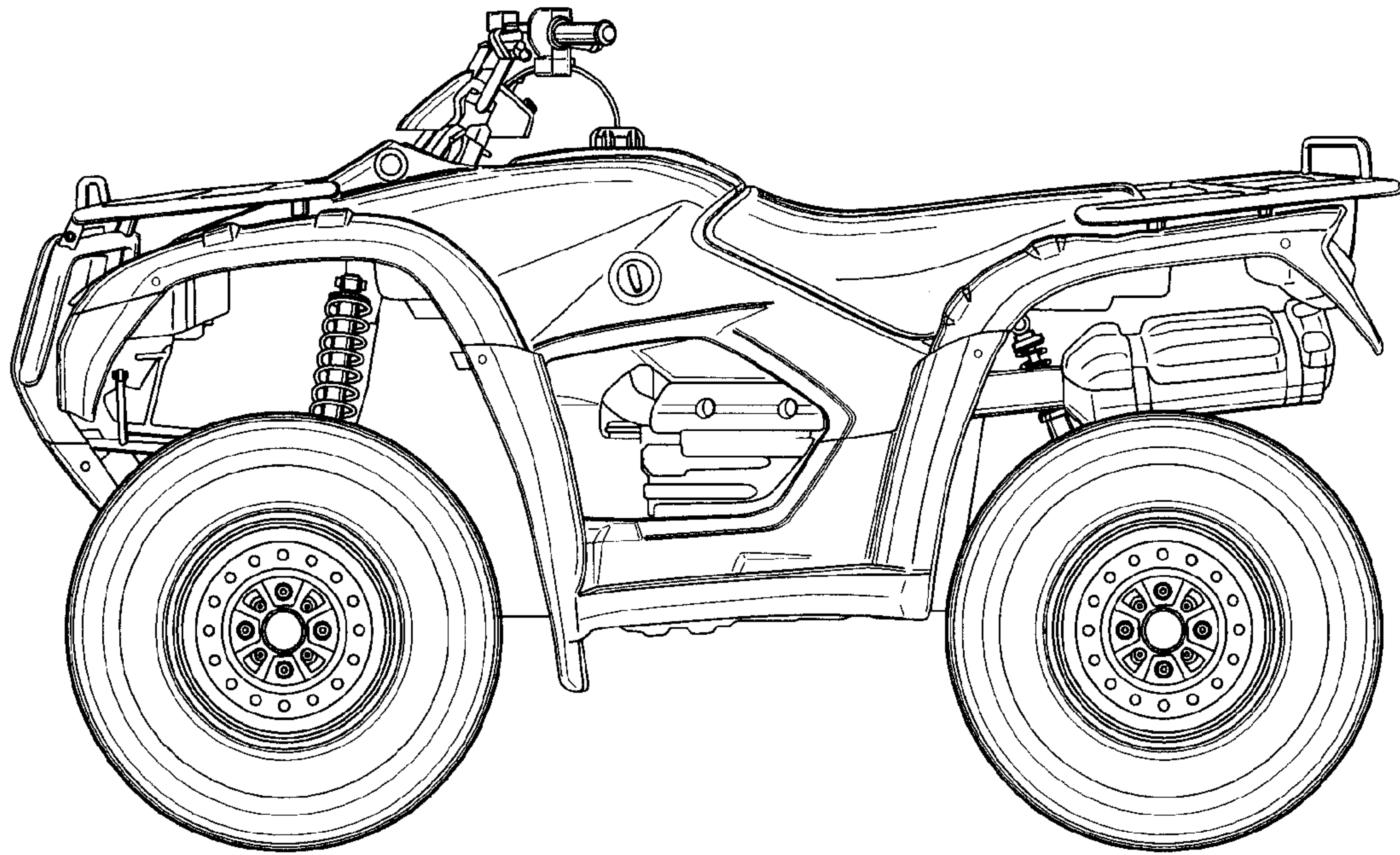


FIG.6

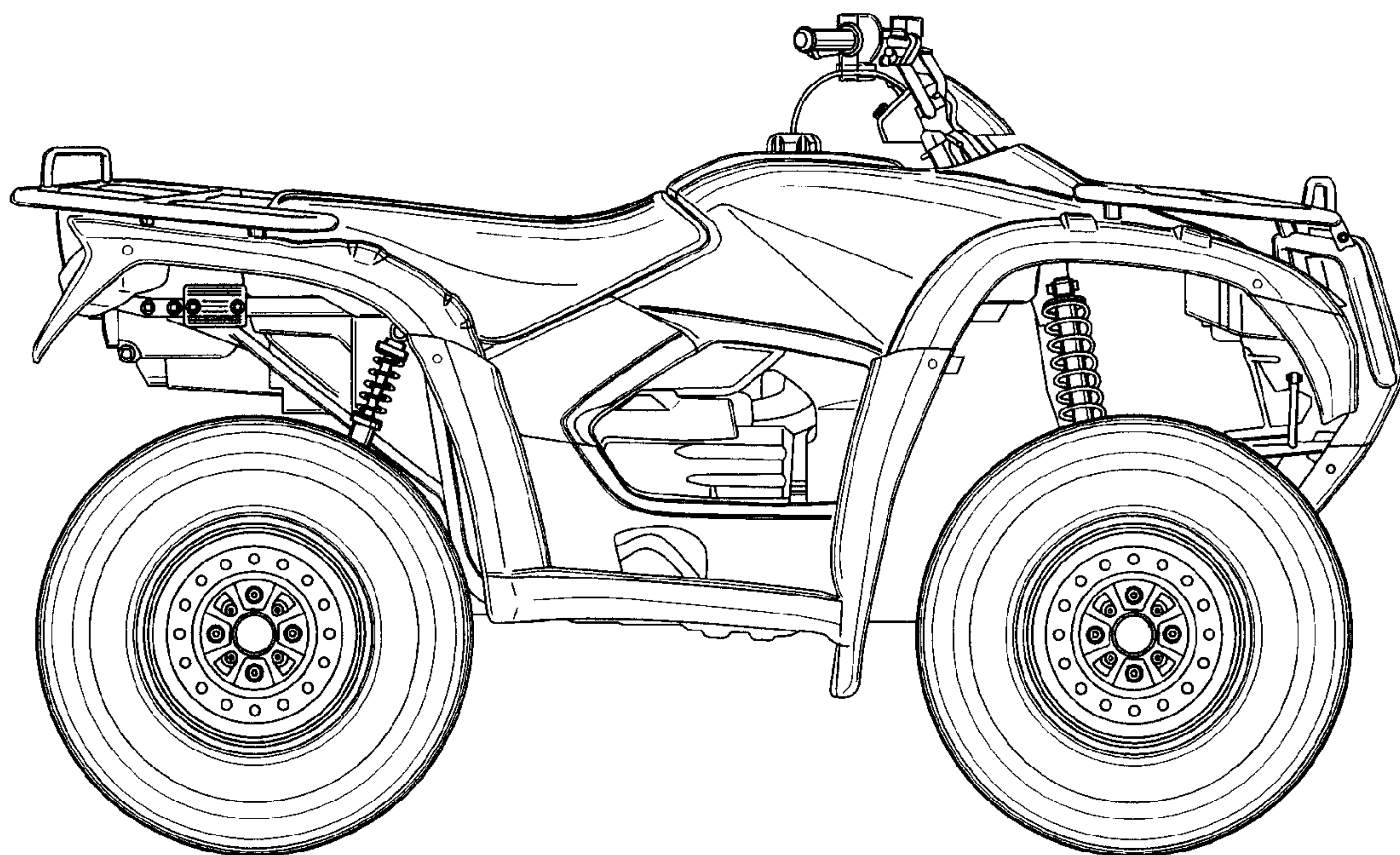




FIG.7

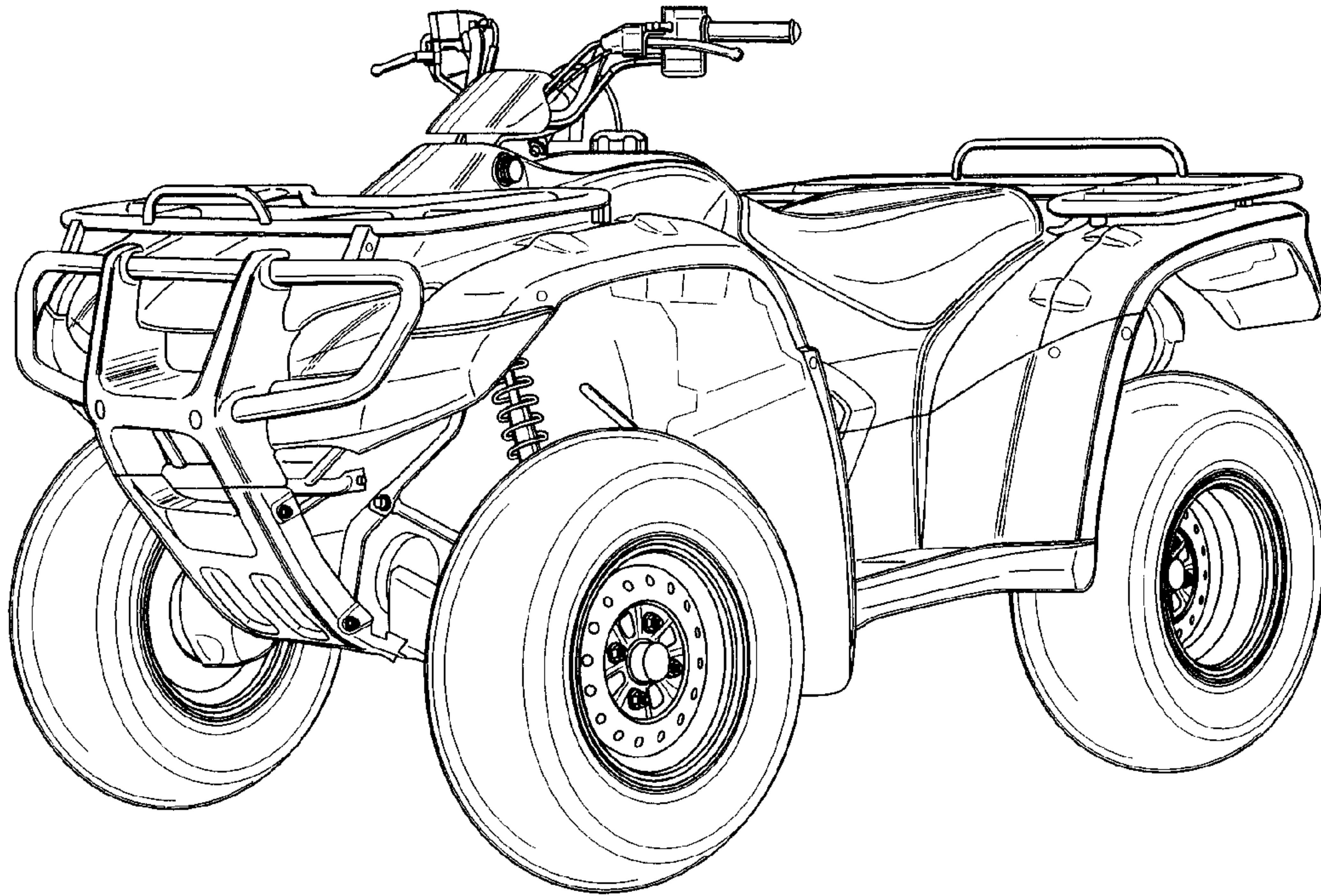


FIG.8

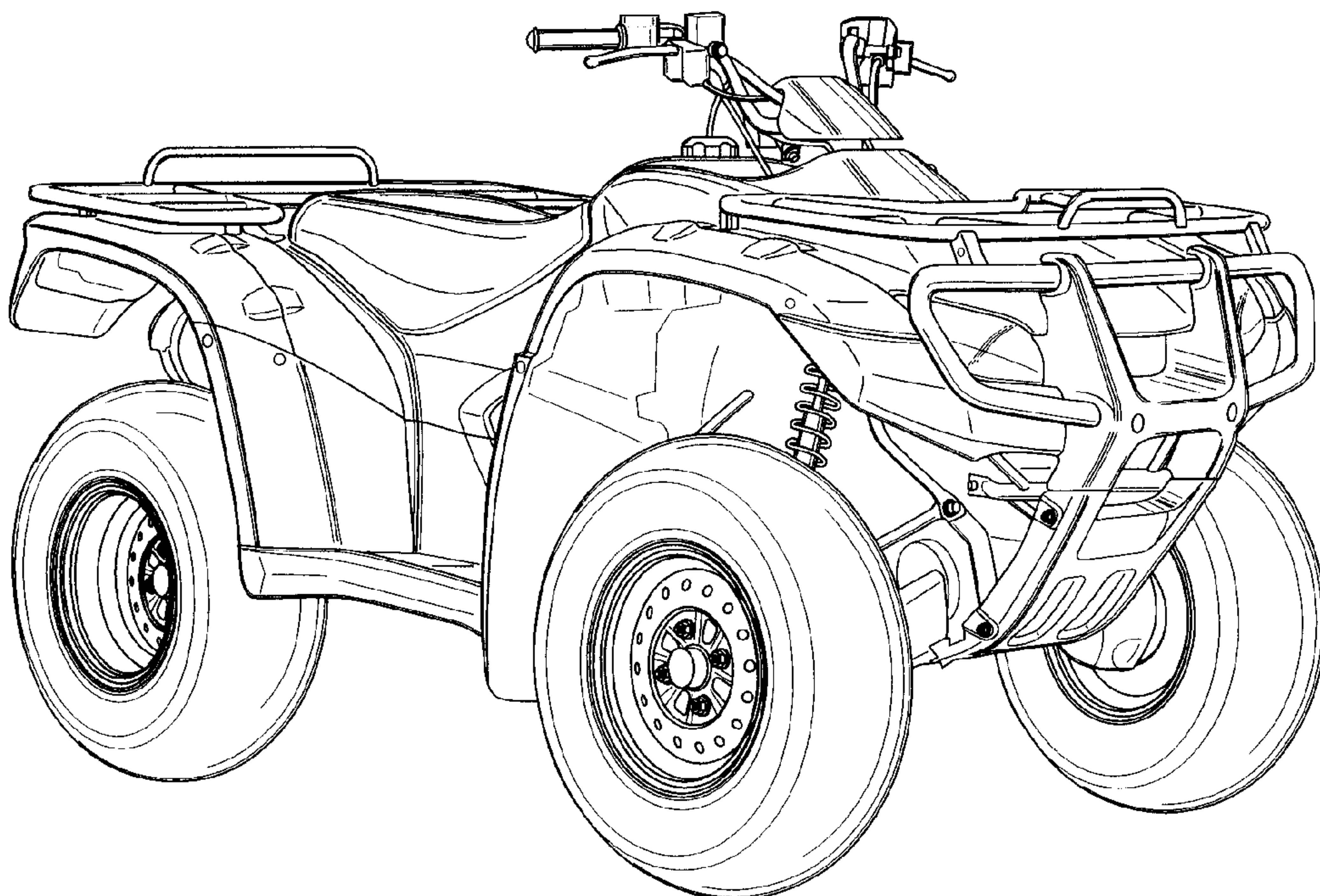


FIG.9

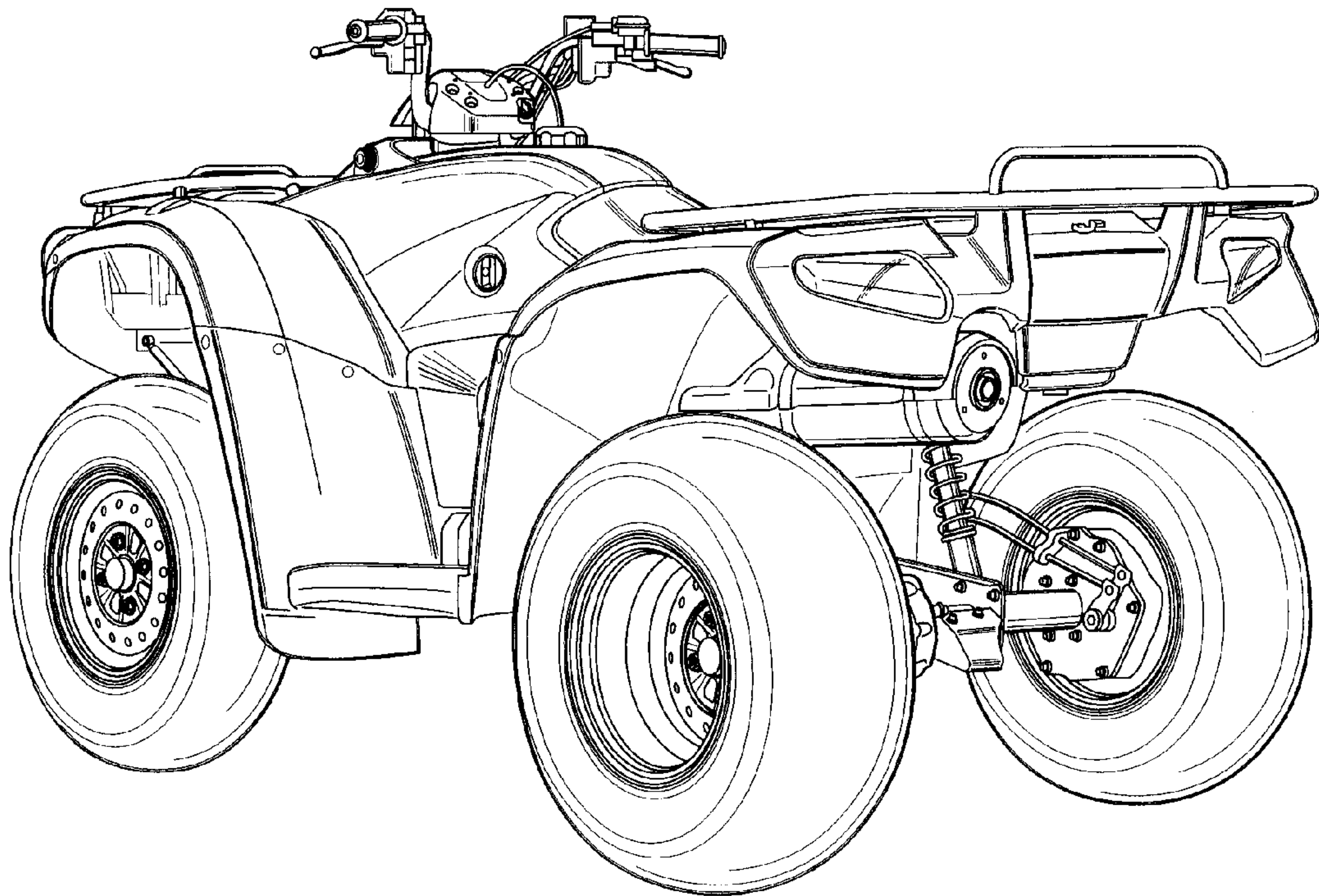


FIG.10

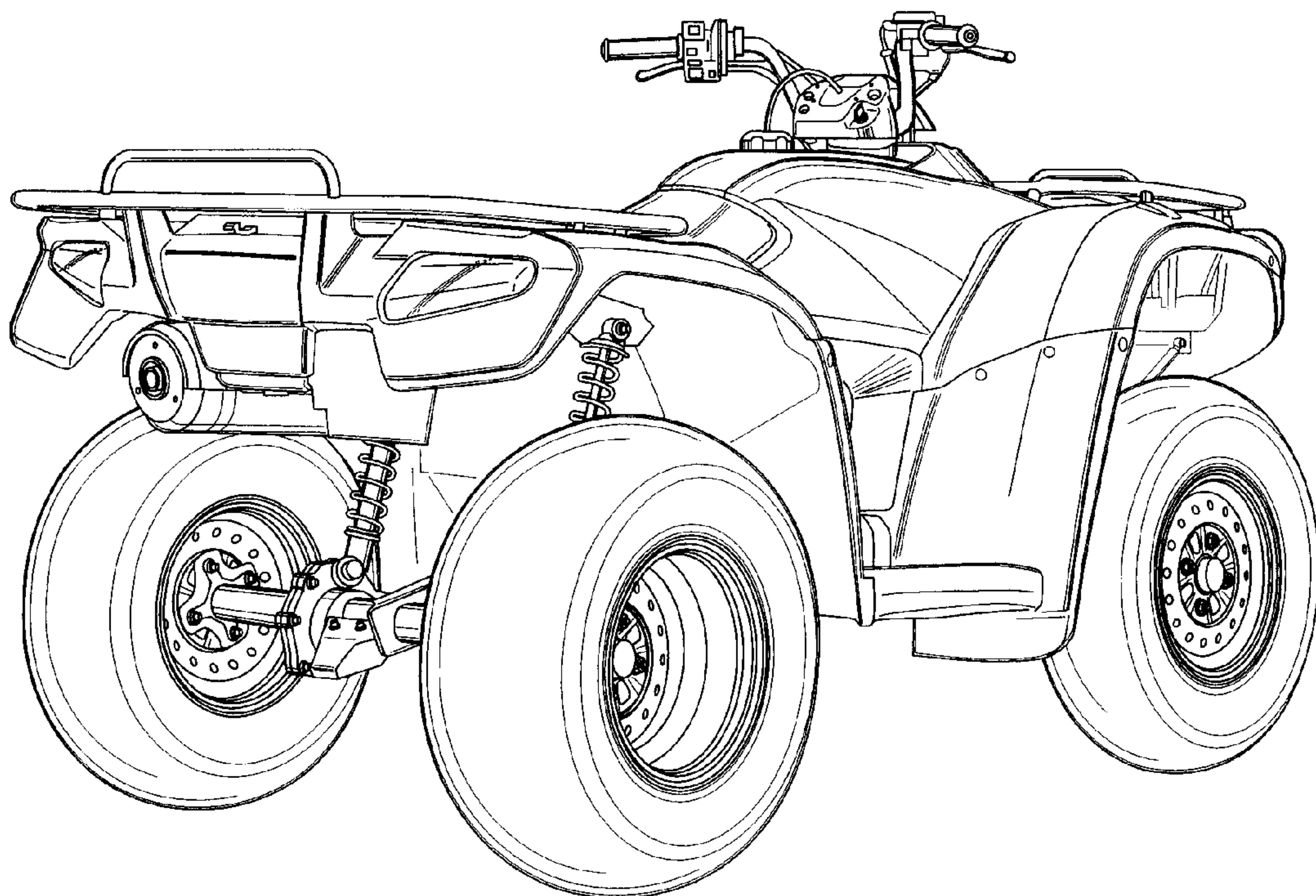




FIG.11

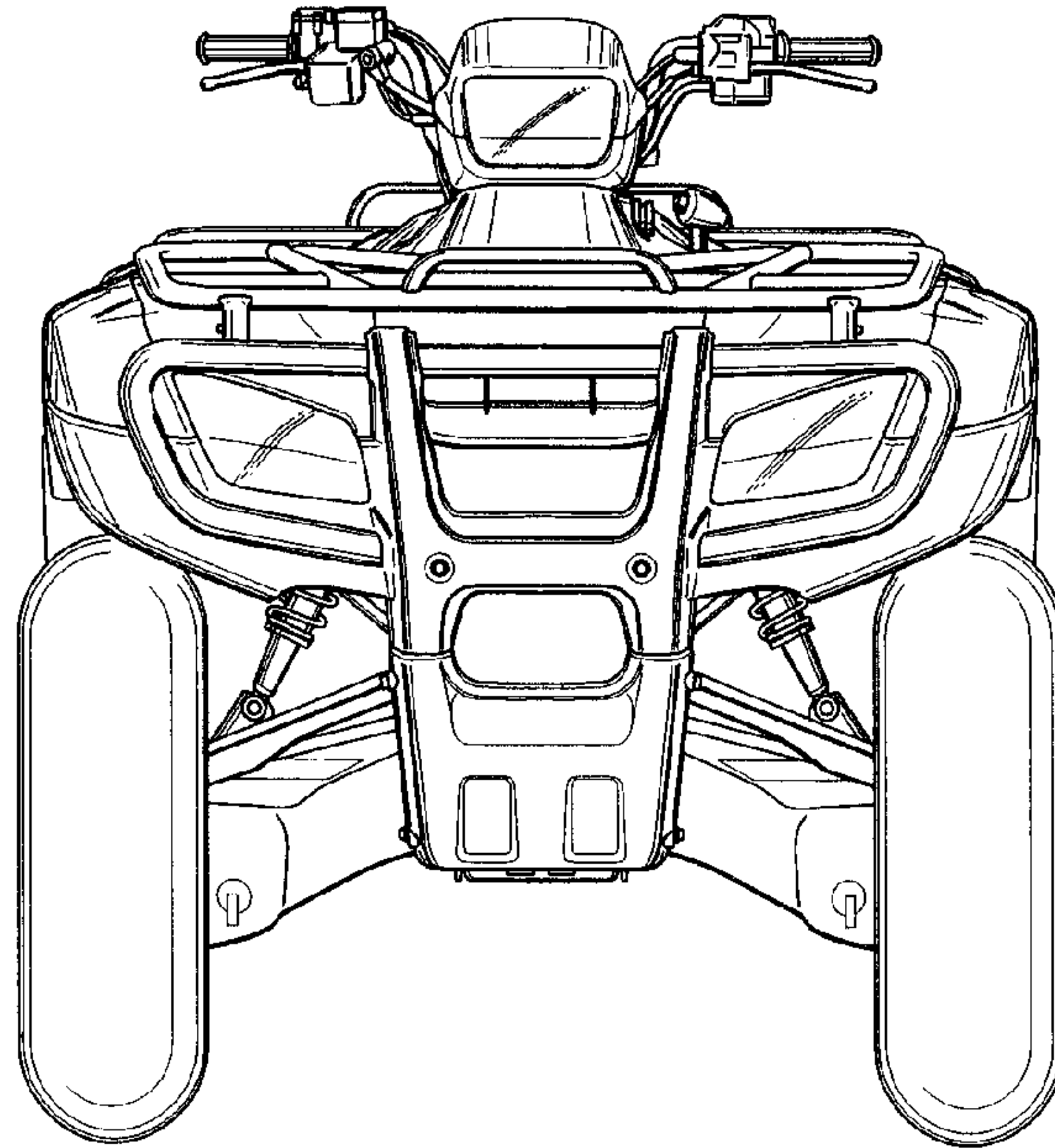


FIG.12

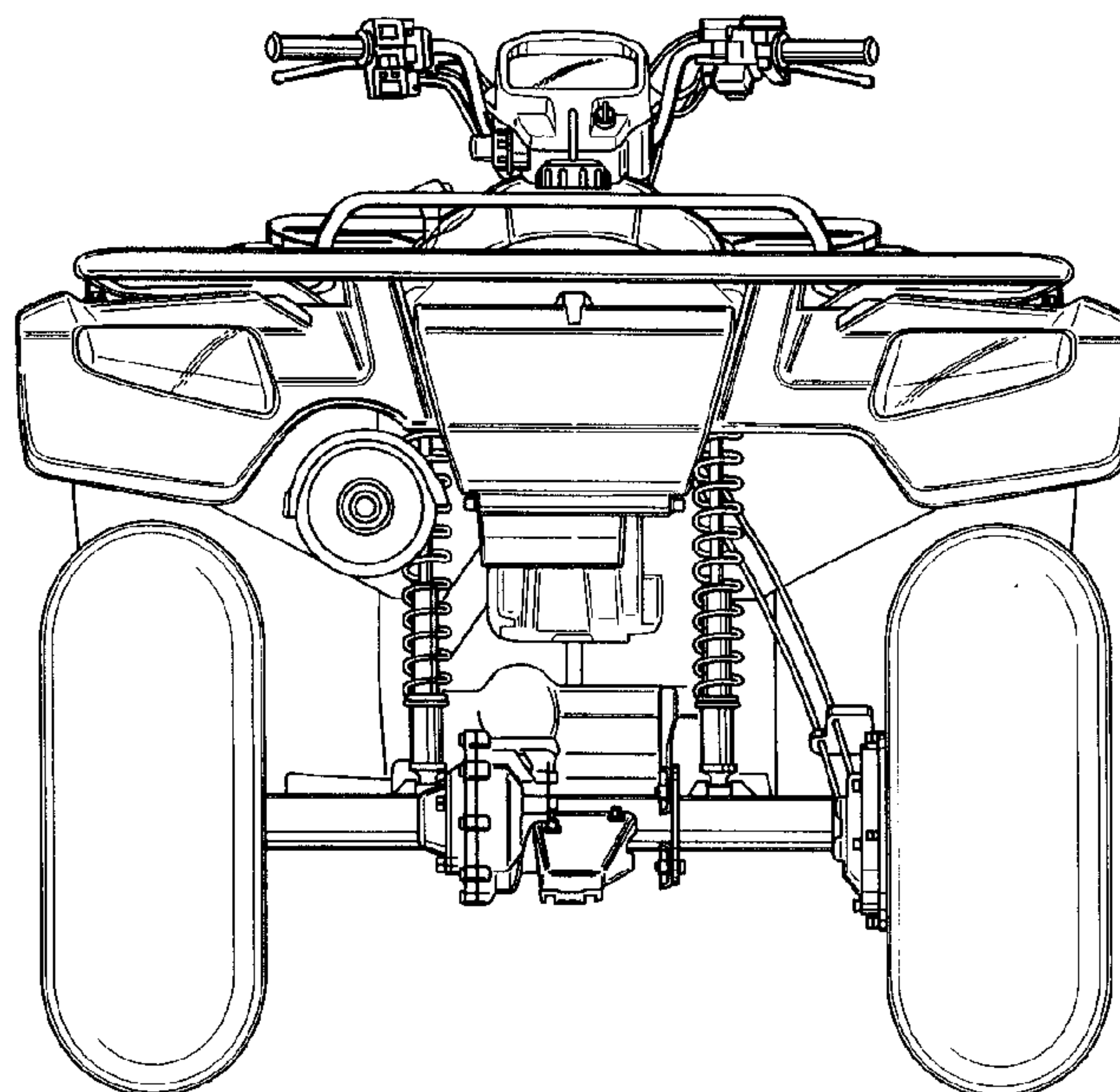


FIG.13

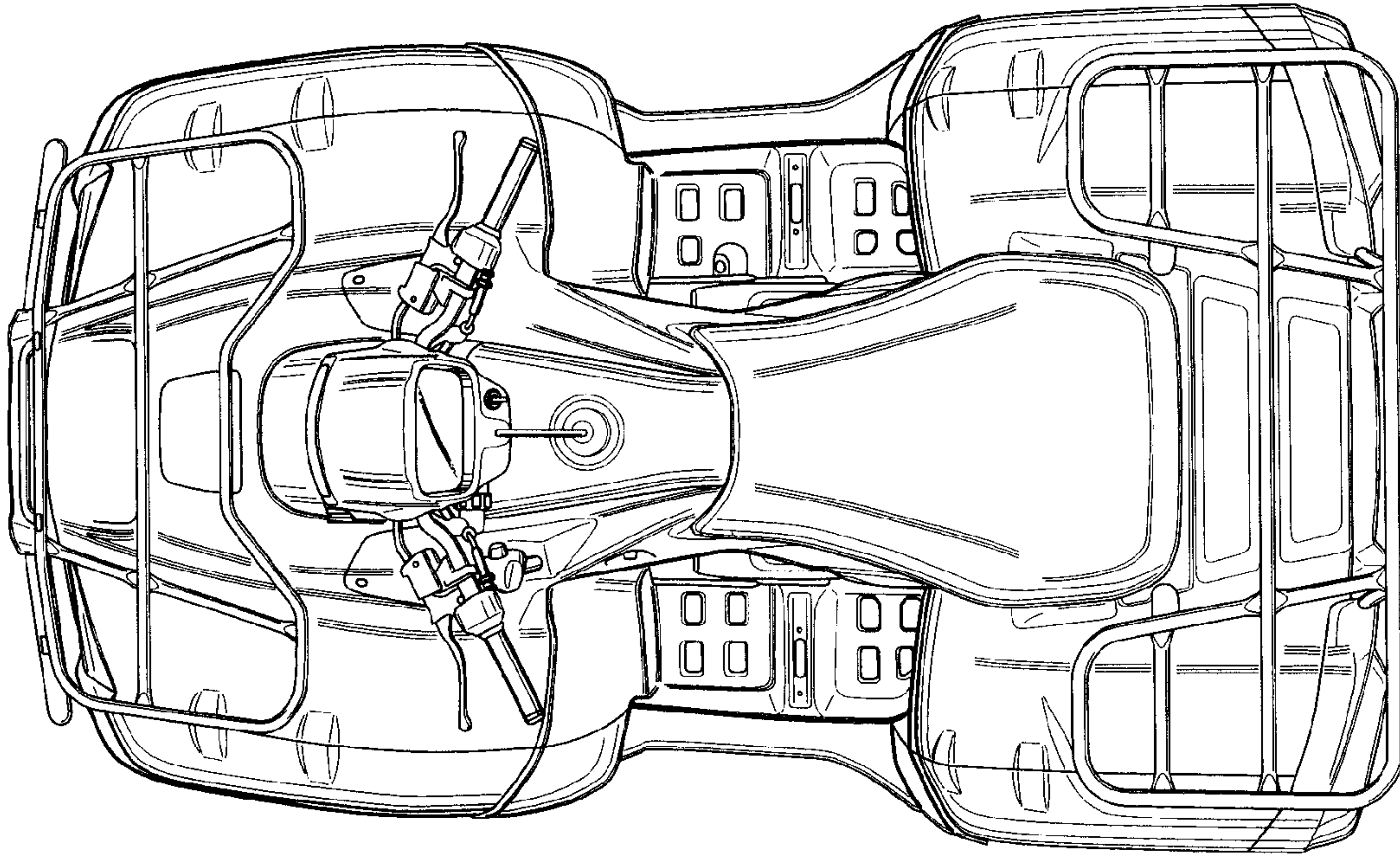


FIG.14

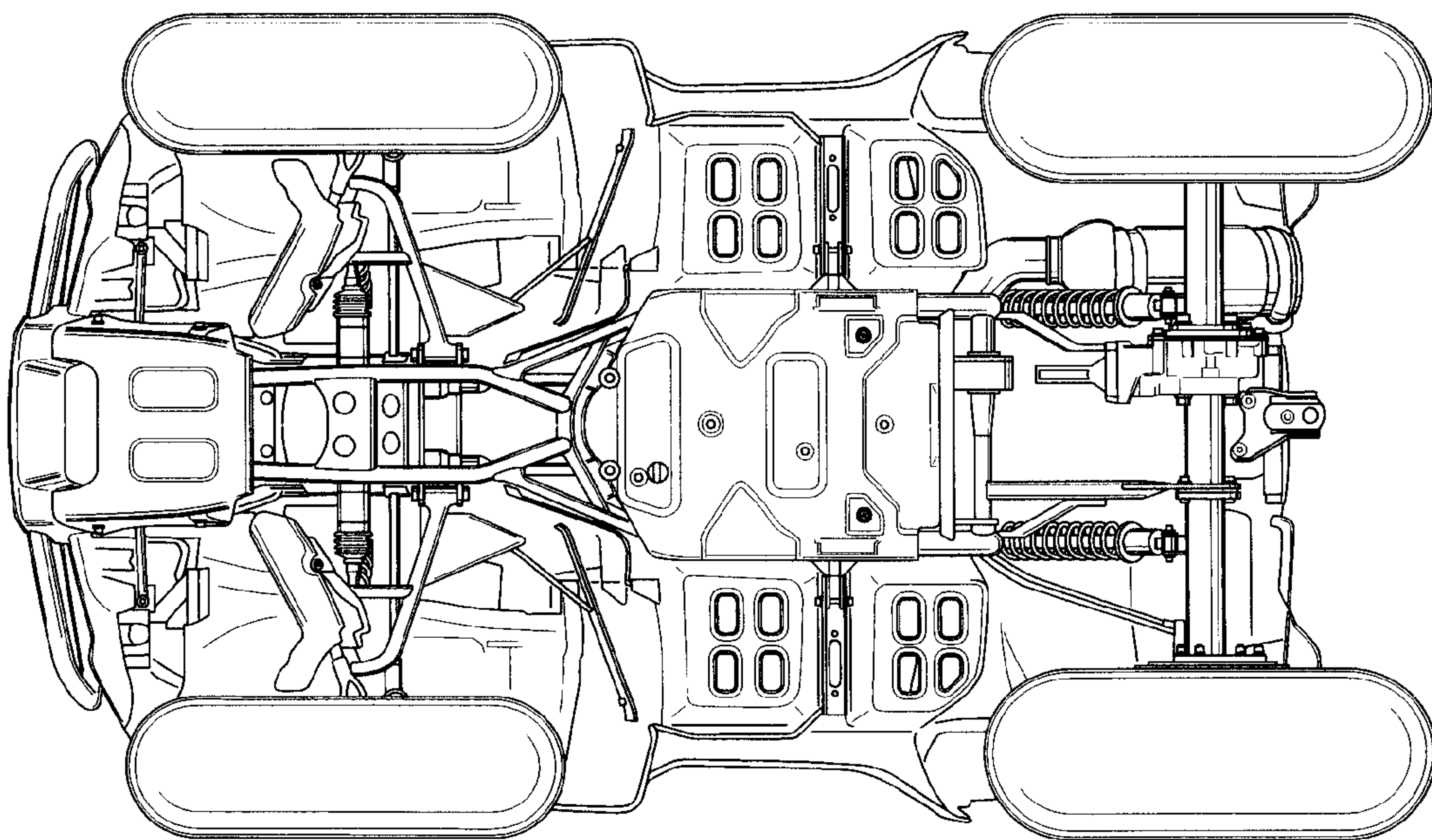




FIG. 15

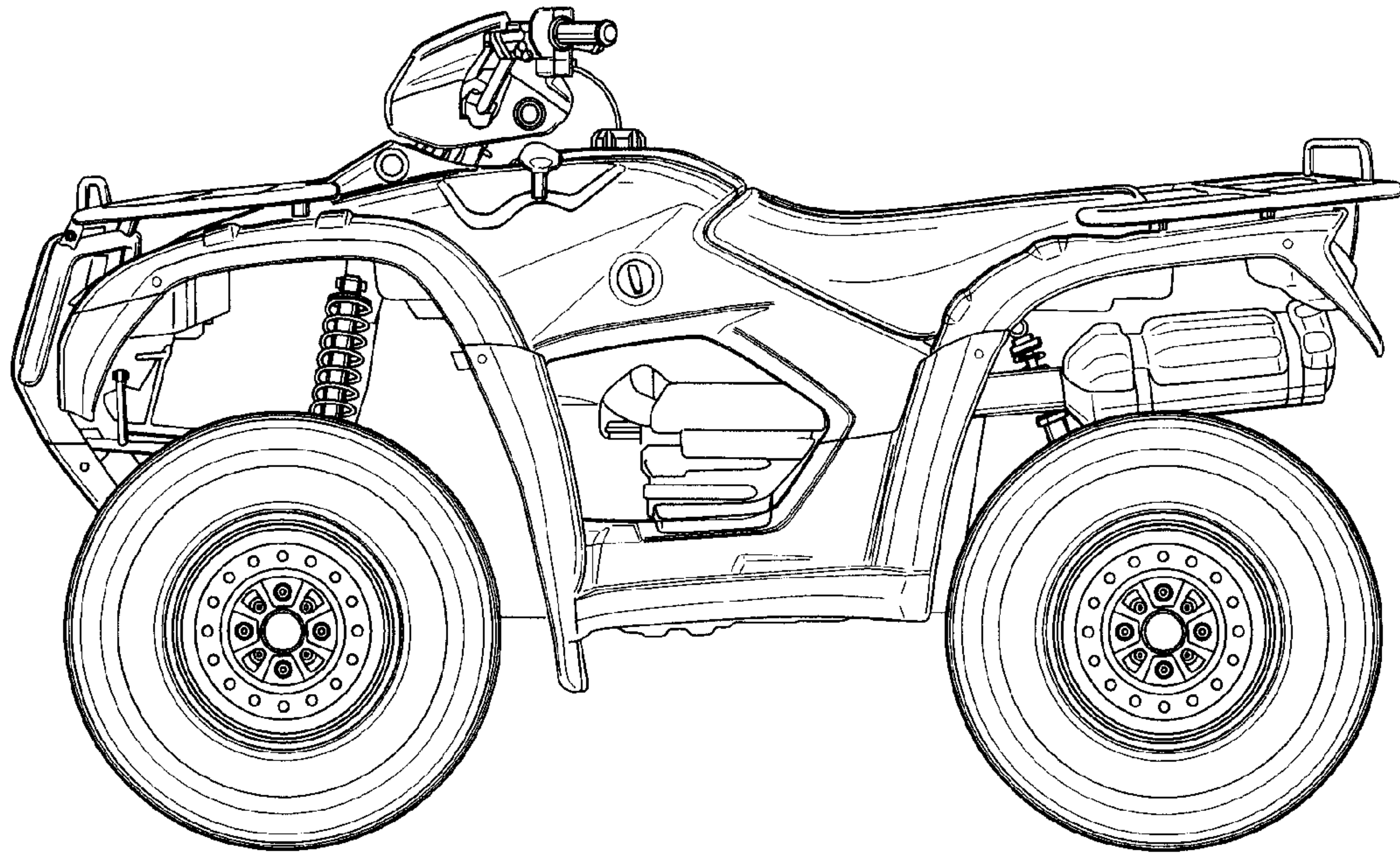


FIG. 16

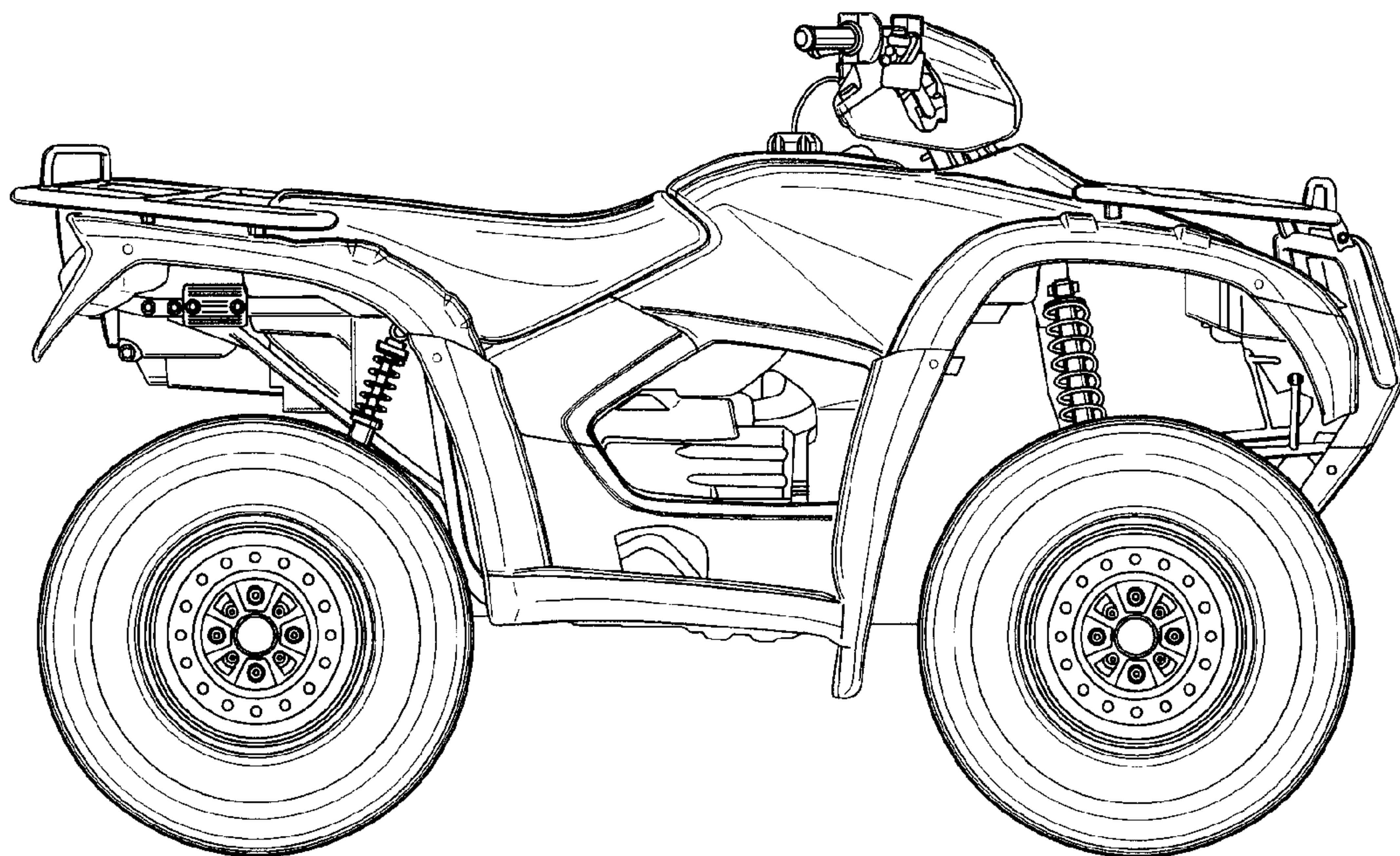




FIG. 17

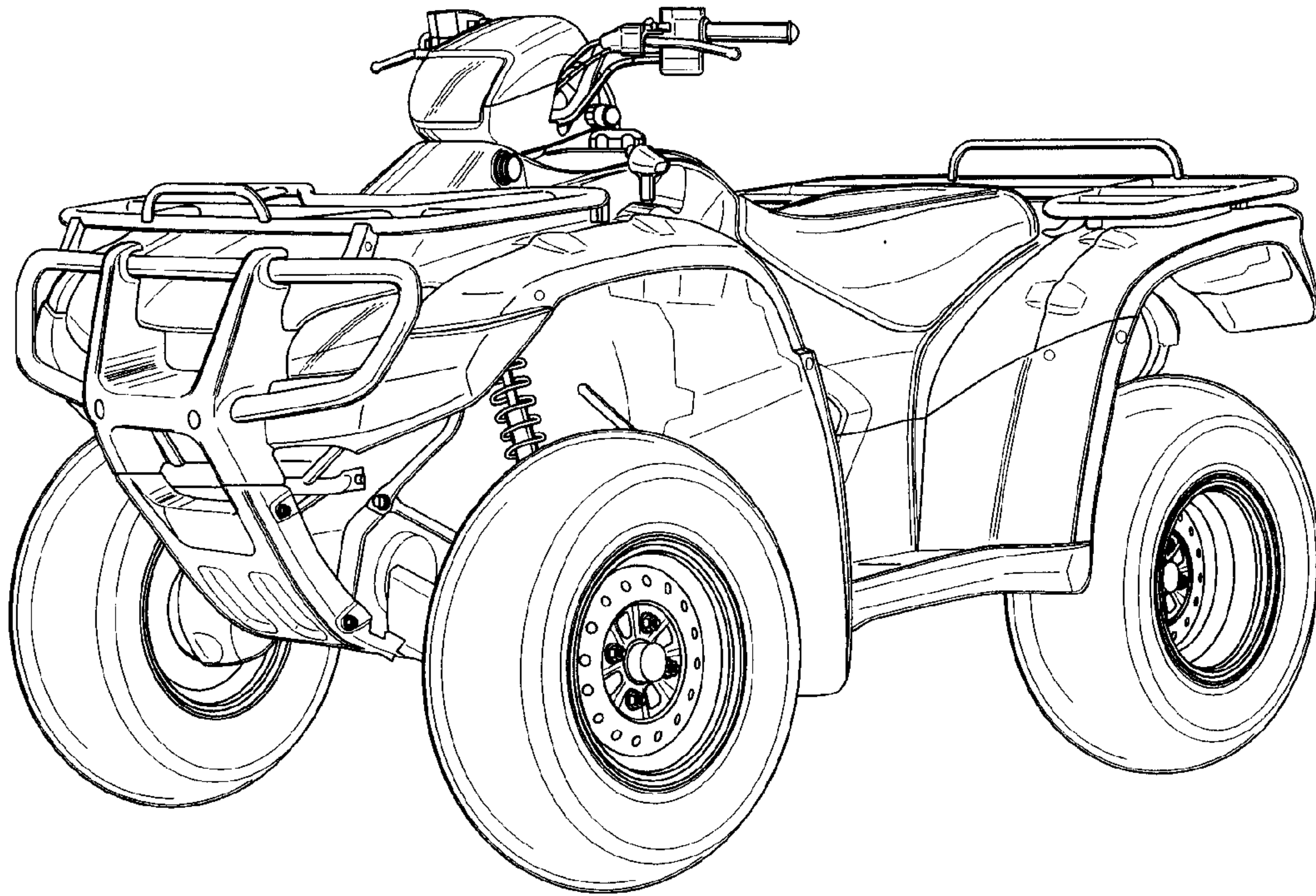


FIG. 18

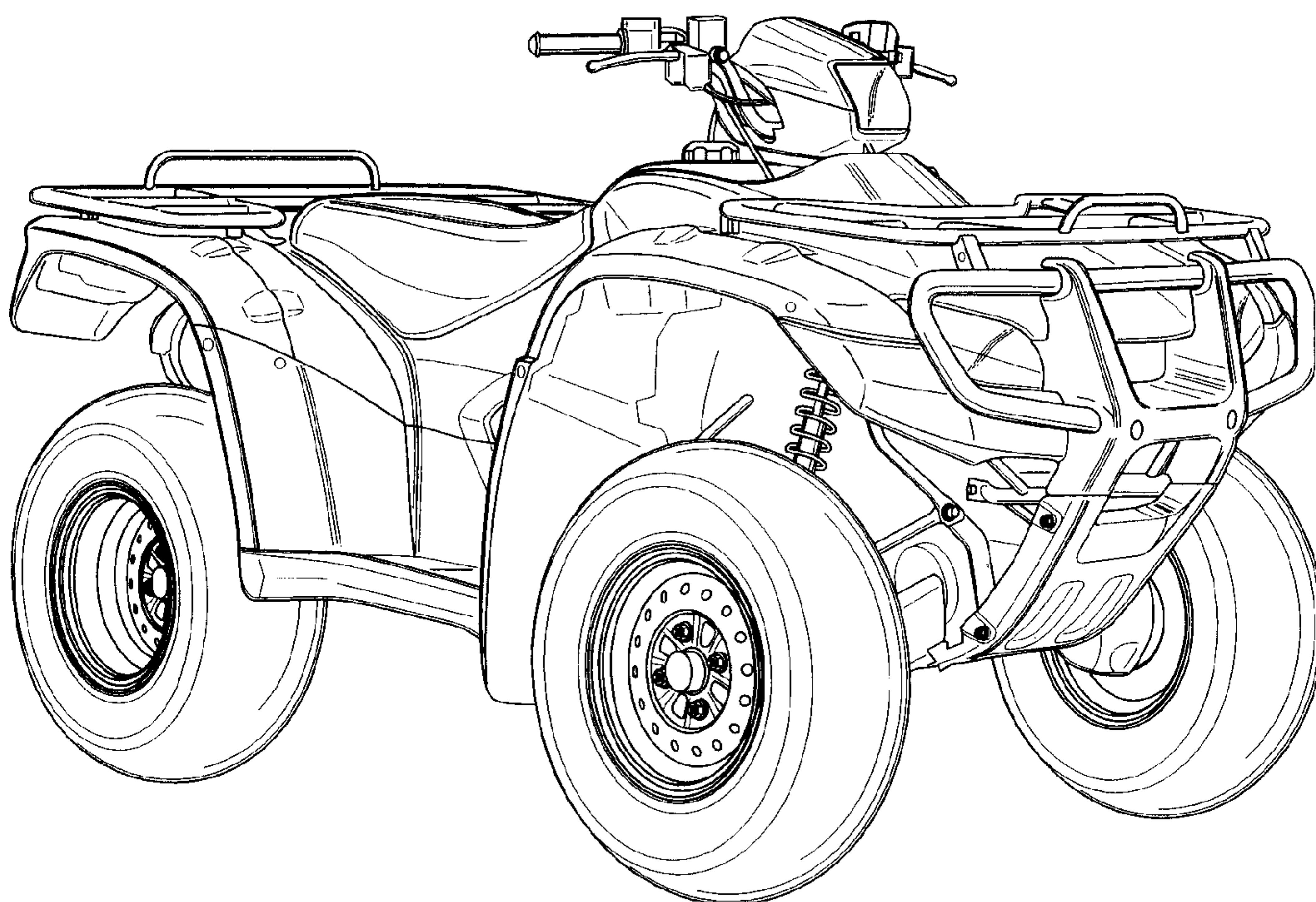




FIG. 19

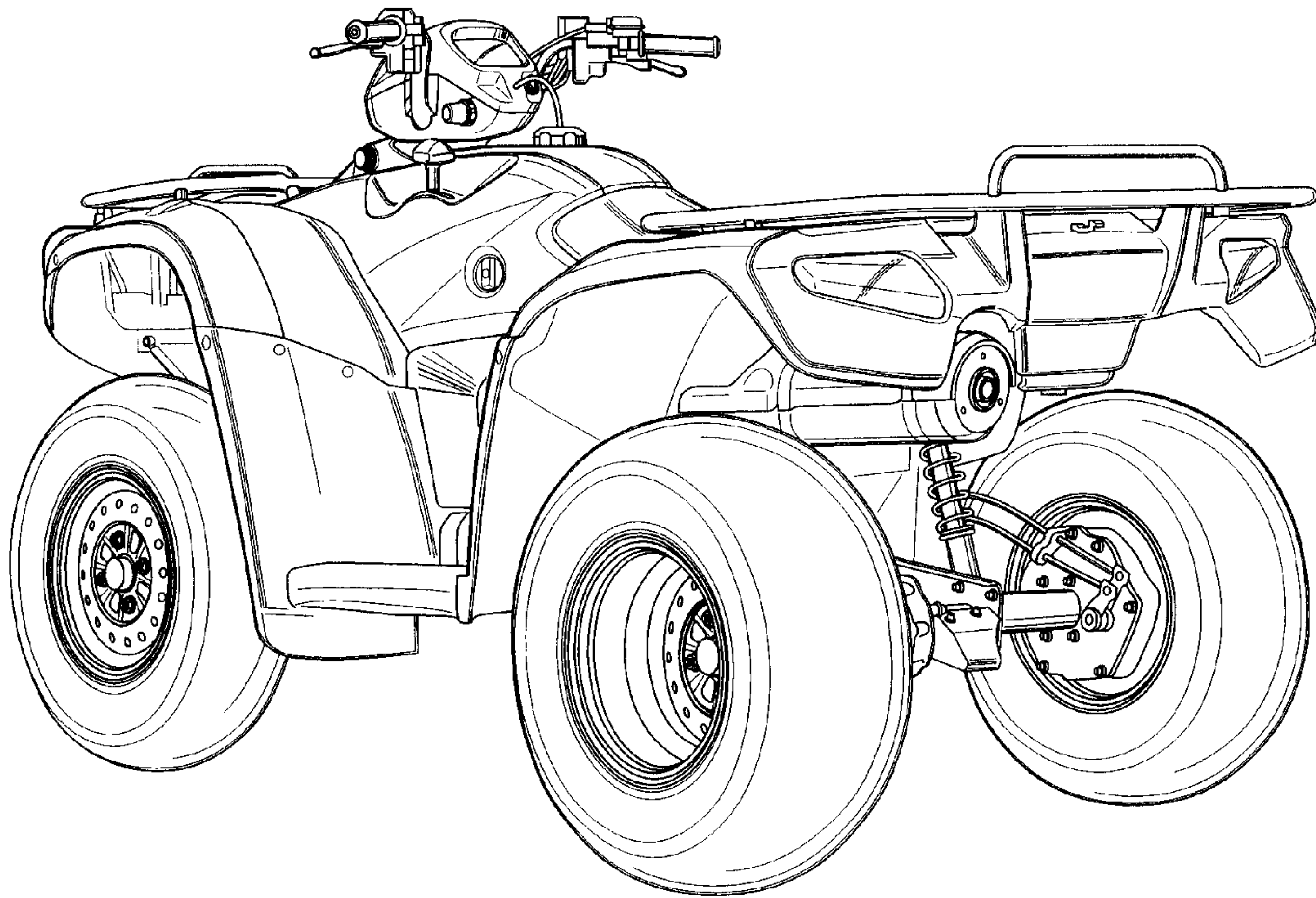


FIG. 20

