



US00D522921S

(12) **United States Design Patent**
Rugh et al.

(10) **Patent No.:** **US D522,921 S**
(45) **Date of Patent:** **** Jun. 13, 2006**

- (54) **TRAILER**
- (75) Inventors: **Ronald F. Rugh**, Albion, IN (US);
Brian L. Rugh, Moline, IL (US)
- (73) Assignee: **Tailgator Concepts, Inc.**, Albion, IN (US)
- (**) Term: **14 Years**
- (21) Appl. No.: **29/231,163**
- (22) Filed: **Jun. 2, 2005**
- (51) **LOC (8) Cl.** **12-10**
- (52) **U.S. Cl.** **D12/102**
- (58) **Field of Classification Search** D12/102,
D12/101; 280/475, 418.6, 656, 763.1; 296/173,
296/181.2, 181.3, 183.1
See application file for complete search history.

- D495,276 S * 8/2004 Armstrong D12/102
- D501,430 S * 2/2005 Cox et al. D12/102
- 6,880,880 B1 * 4/2005 Armstrong 296/183.1
- D506,162 S * 6/2005 Collinson D12/102

* cited by examiner

Primary Examiner—Melody N. Brown
(74) *Attorney, Agent, or Firm*—Taylor & Aust, P.C.

(57) **CLAIM**

The ornamental design for a trailer, as shown and described.

DESCRIPTION

FIG. 1 is a perspective view of a trailer showing our new design, the portion in phantom lines representing wheels and attachments thereto forming no part of the claimed invention;

FIG. 2 is a side view thereof, the opposite side view being substantially a mirror image thereof;

FIG. 3 is a front view thereof;

FIG. 4 is an end view thereof;

FIG. 5 is a top view thereof; and,

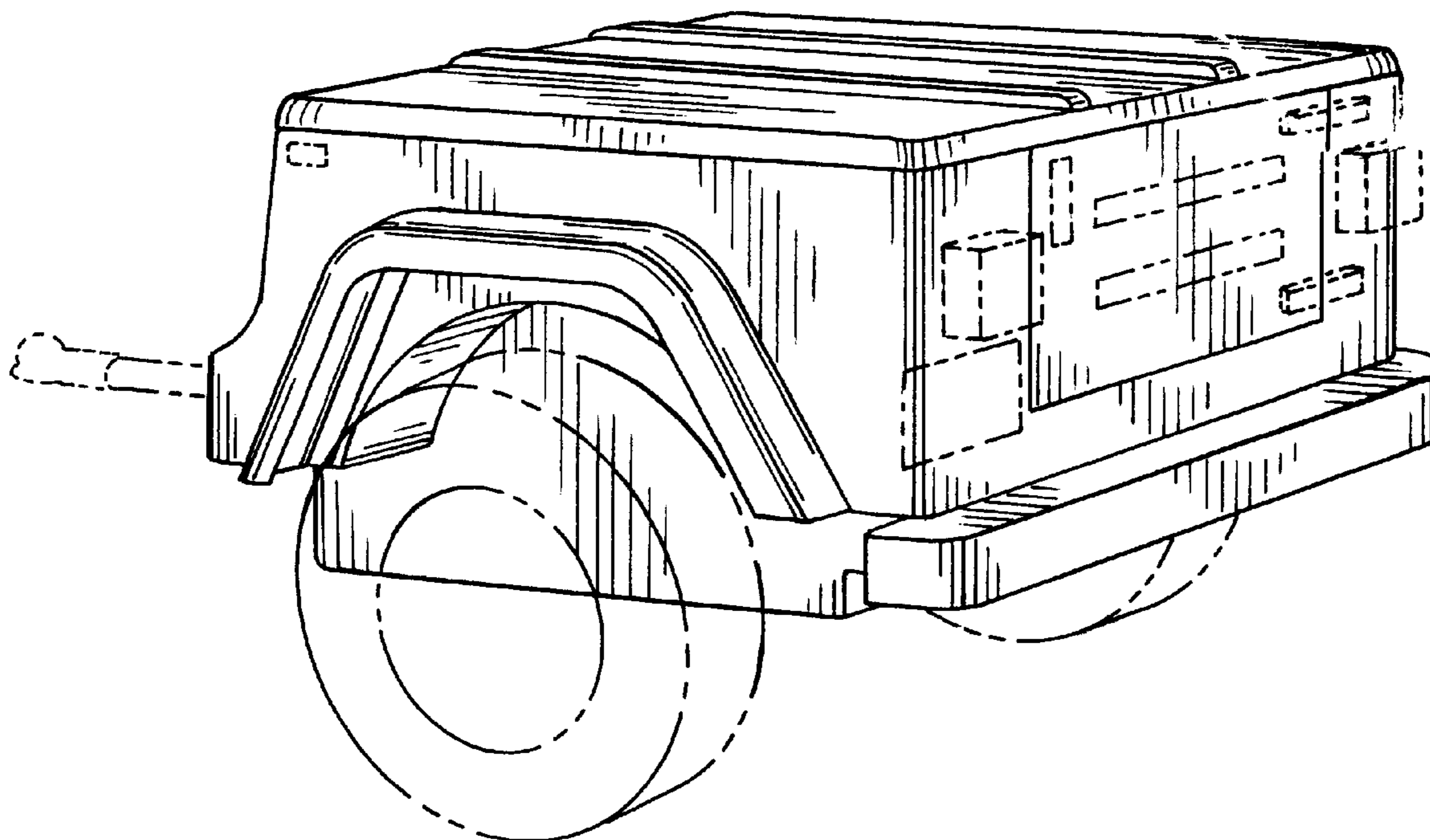
FIG. 6 is a bottom view thereof.

(56) **References Cited**

U.S. PATENT DOCUMENTS

- D464,916 S * 10/2002 Golenz et al. D12/102
- D486,759 S * 2/2004 Armstrong D12/102

1 Claim, 4 Drawing Sheets



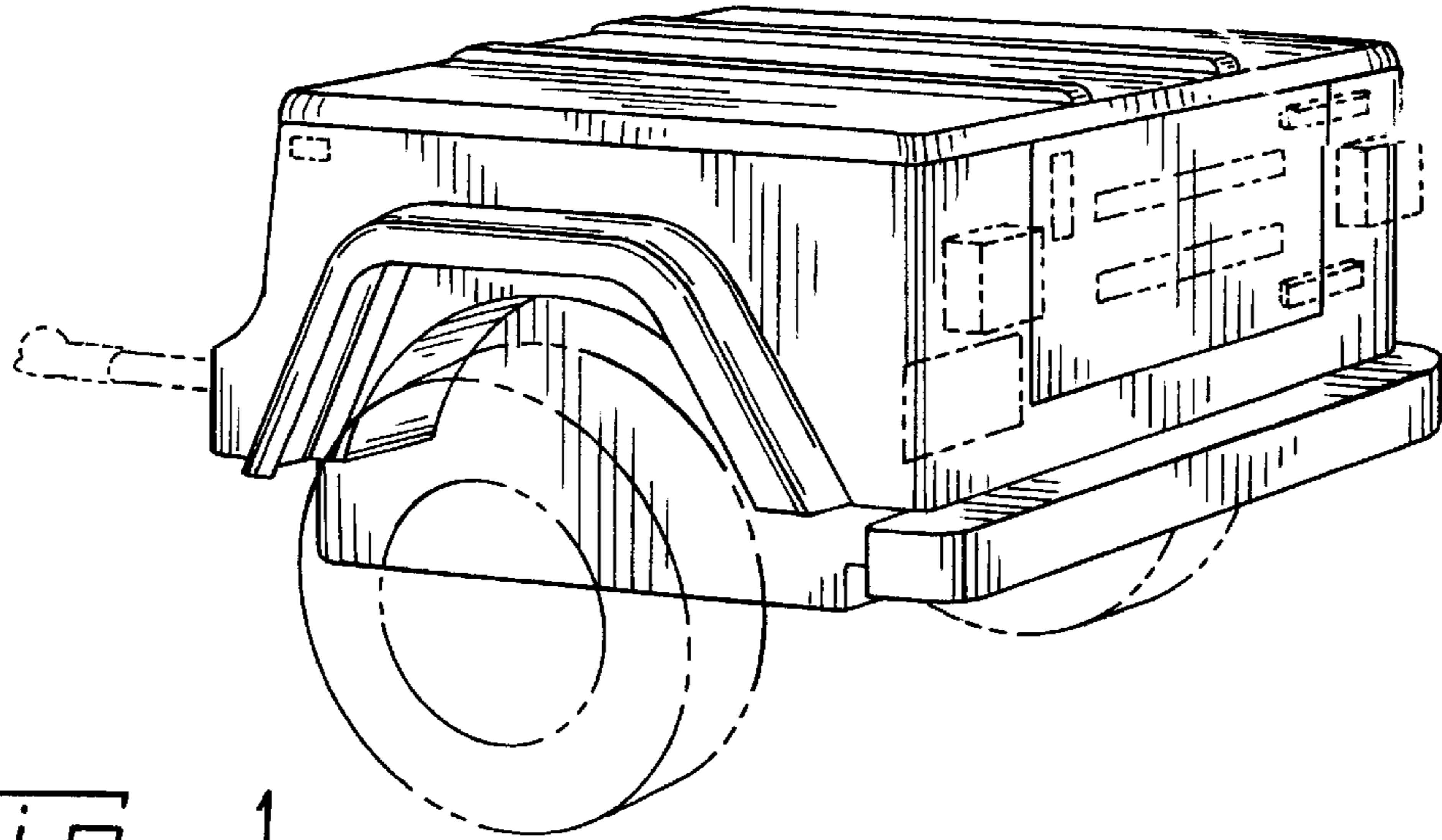


Fig. 1

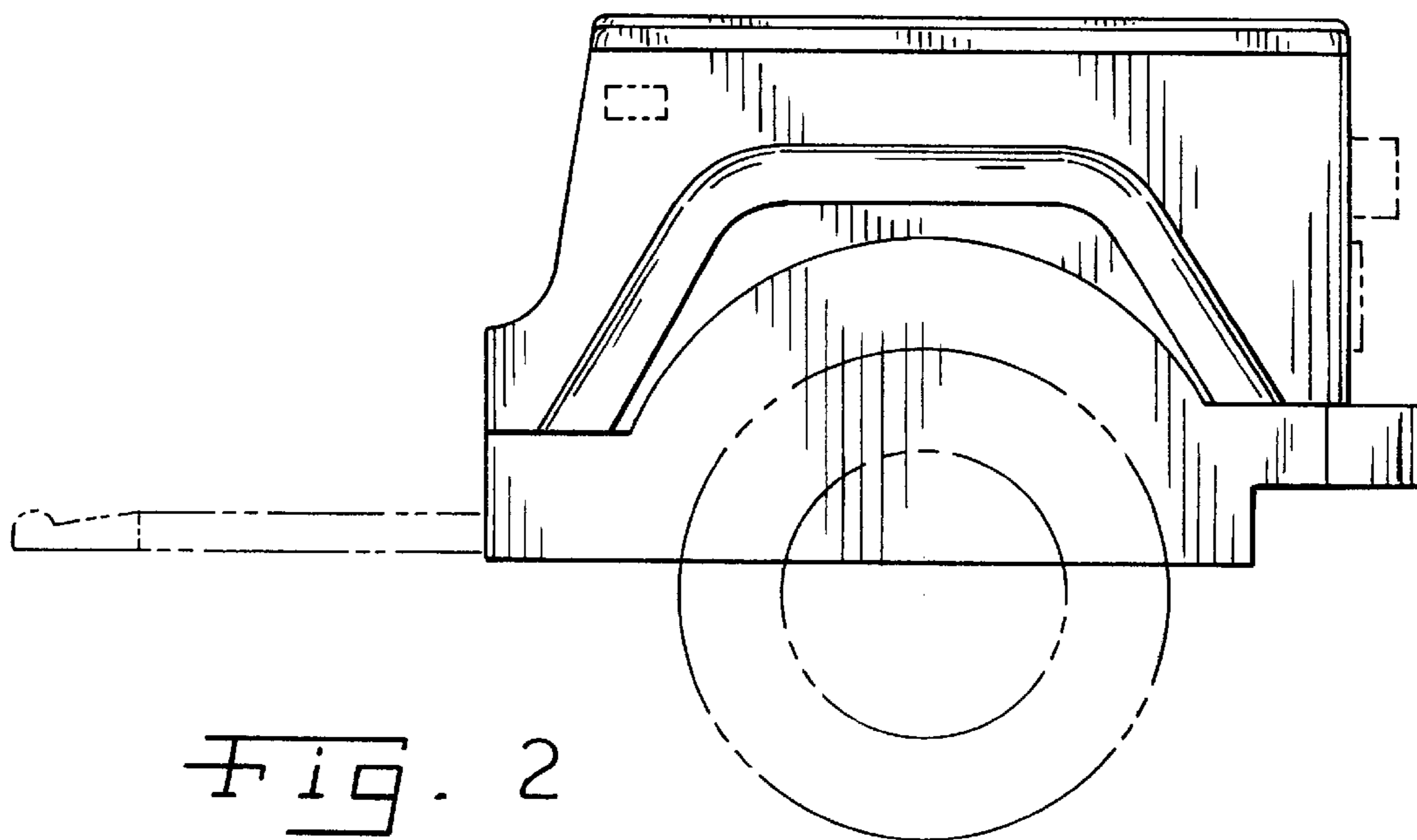


Fig. 2

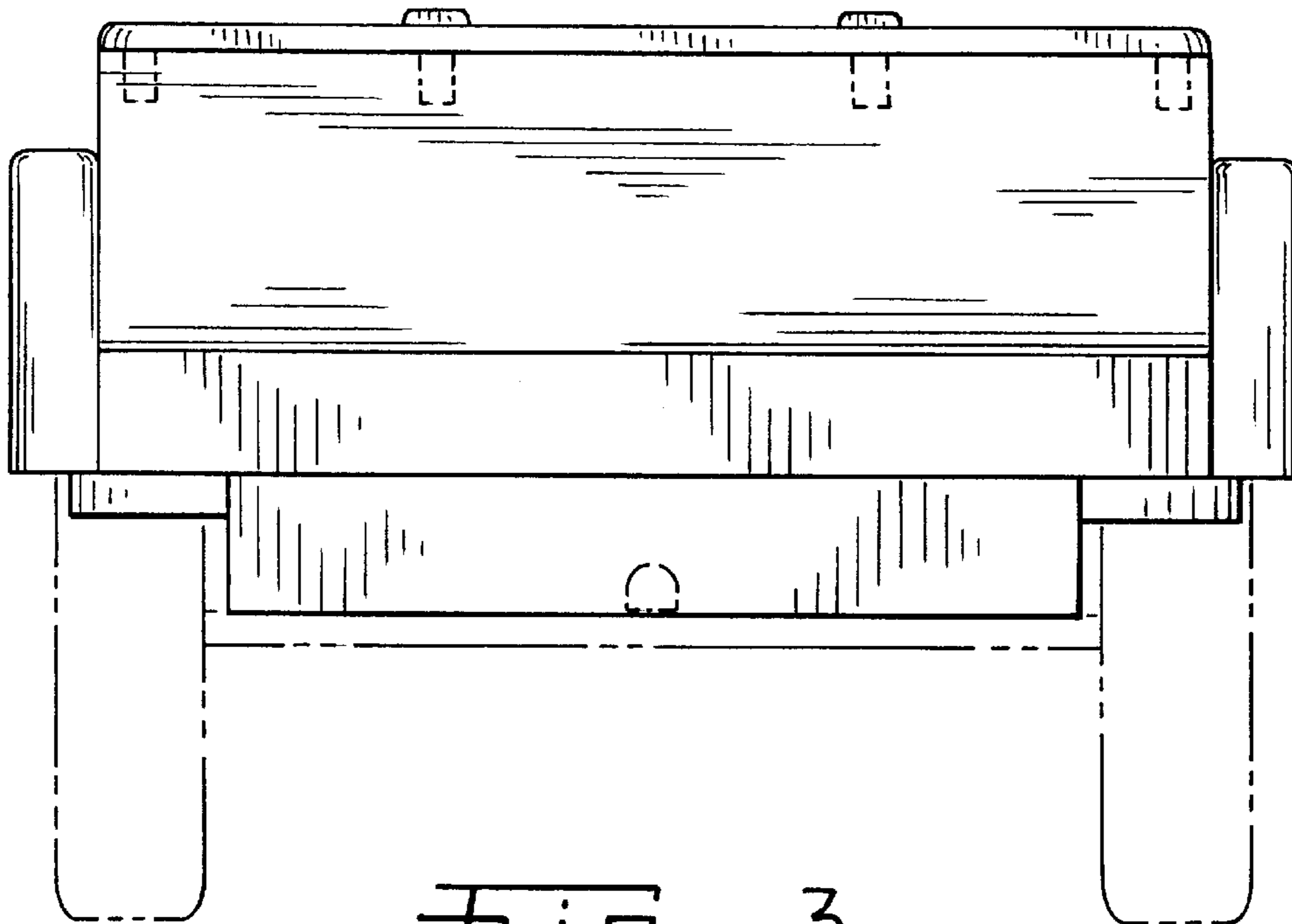


Fig. 3

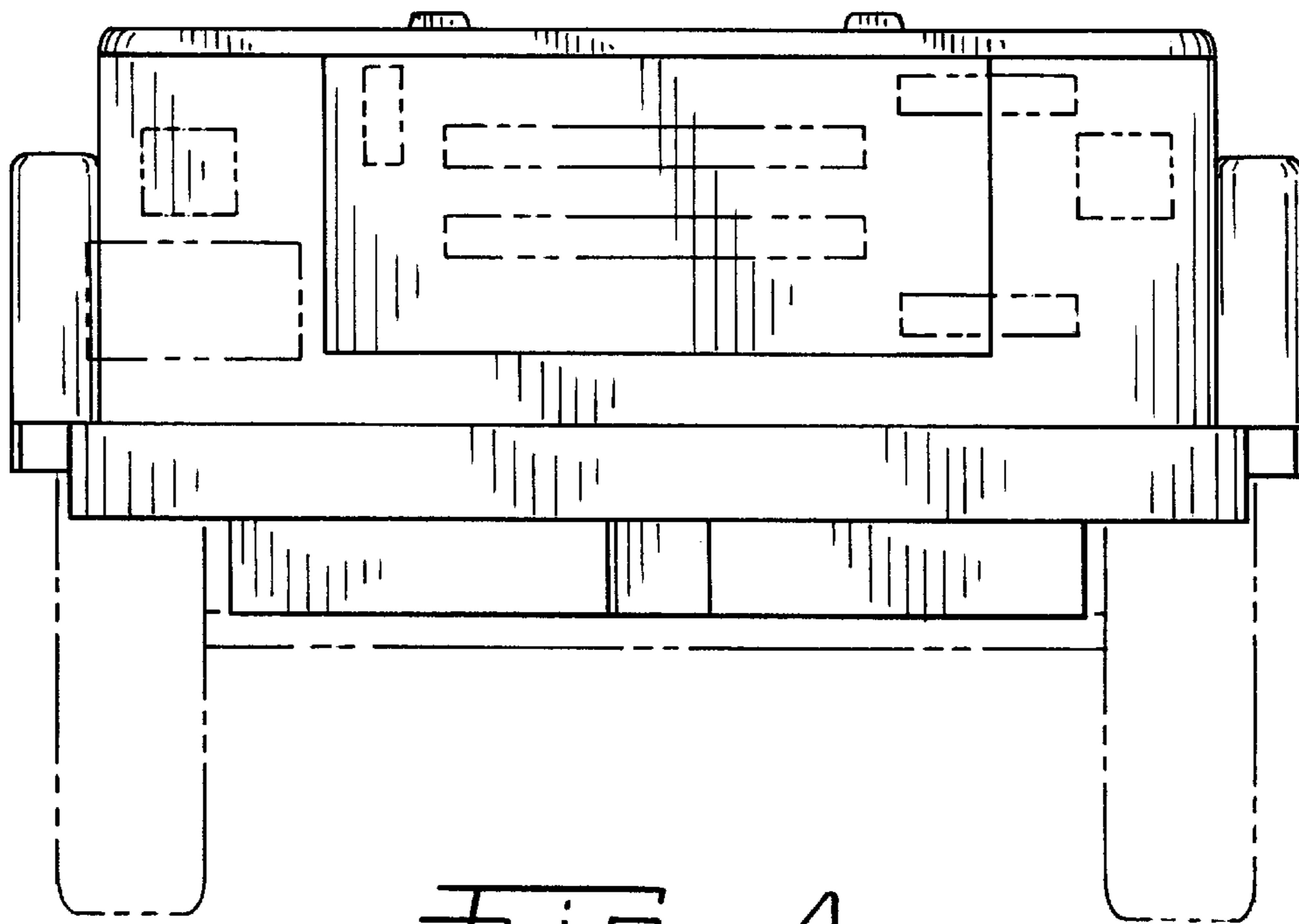


Fig. 4

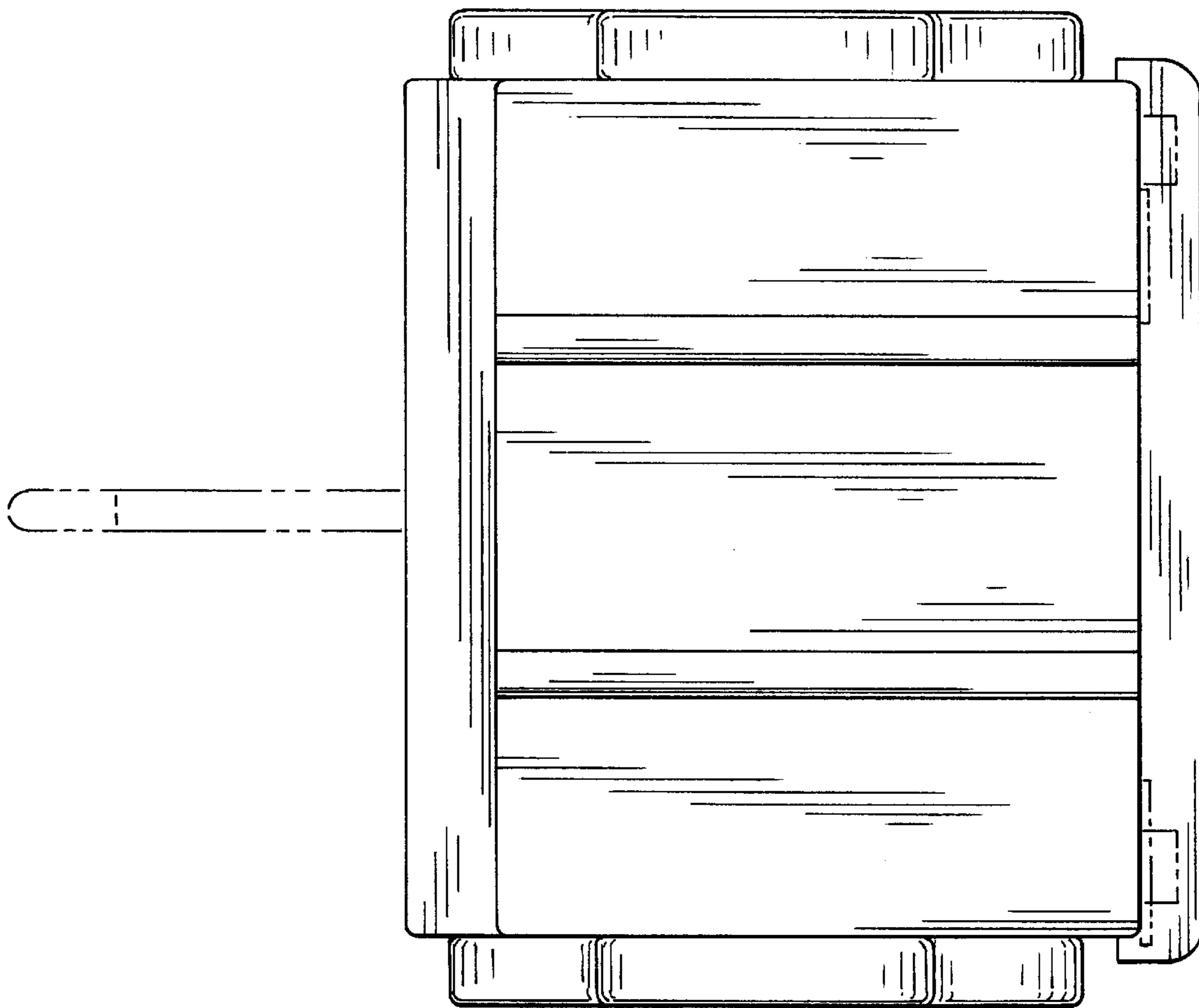


Fig. 5

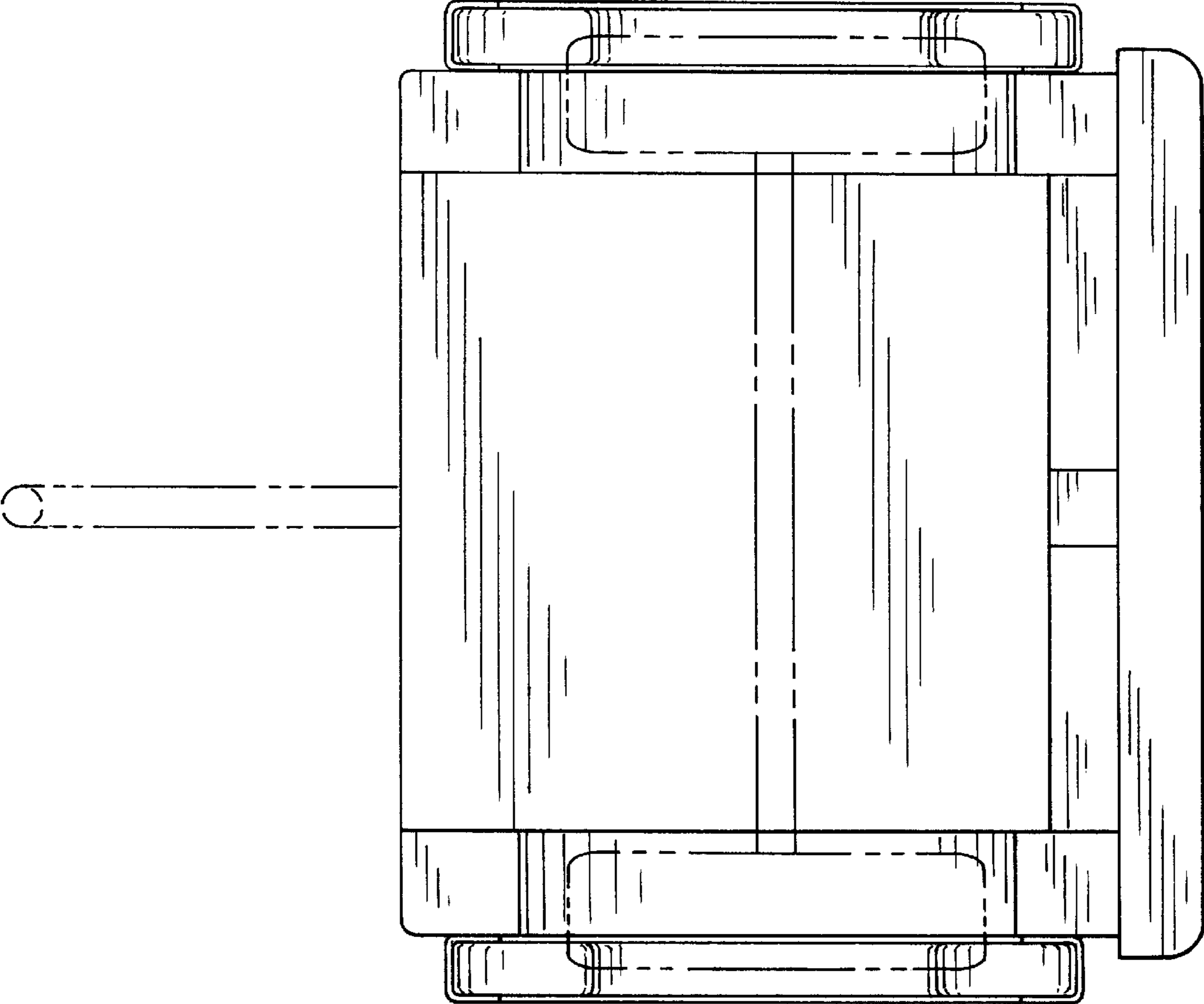


Fig. 6