



US00D522920S

(12) **United States Design Patent**
Anderson

(10) **Patent No.:** **US D522,920 S**
(45) **Date of Patent:** **** Jun. 13, 2006**

(54) **CHOPPER CHARIOT TRAILER**

D356,058 S * 3/1995 Newton D12/101
D368,053 S * 3/1996 Gallagher D12/101

(75) Inventor: **Gerald LeRoy Anderson**, Leeds, UT
(US)

* cited by examiner

(73) Assignee: **Reid-Ashman Manufacturing, Inc.**, St.
George, UT (US)

Primary Examiner—Melody N. Brown
(74) *Attorney, Agent, or Firm*—Thelen Reid & Priest LLP;
David B. Ritchie

(**) Term: **14 Years**

(57) **CLAIM**

(21) Appl. No.: **29/221,367**

The ornamental design for a chopper chariot trailer, as
shown and described.

(22) Filed: **Jan. 14, 2005**

DESCRIPTION

(51) **LOC (8) Cl.** **12-10**

(52) **U.S. Cl.** **D12/101**

(58) **Field of Classification Search** D12/101,
D12/102, 105; 280/475, 656, 414.1, 63, 204,
280/47.25; 296/181.2, 181.3

FIG. 1 is a rear perspective view of a chopper chariot trailer.
FIG. 2 is a front elevational view of the chopper chariot
trailer.

FIG. 3 is a rear elevational view of the chopper chariot
trailer.

See application file for complete search history.

FIG. 4 is a right side elevational view of the chopper chariot
trailer, the left side elevational view being a mirror image
thereof and, accordingly, not shown.

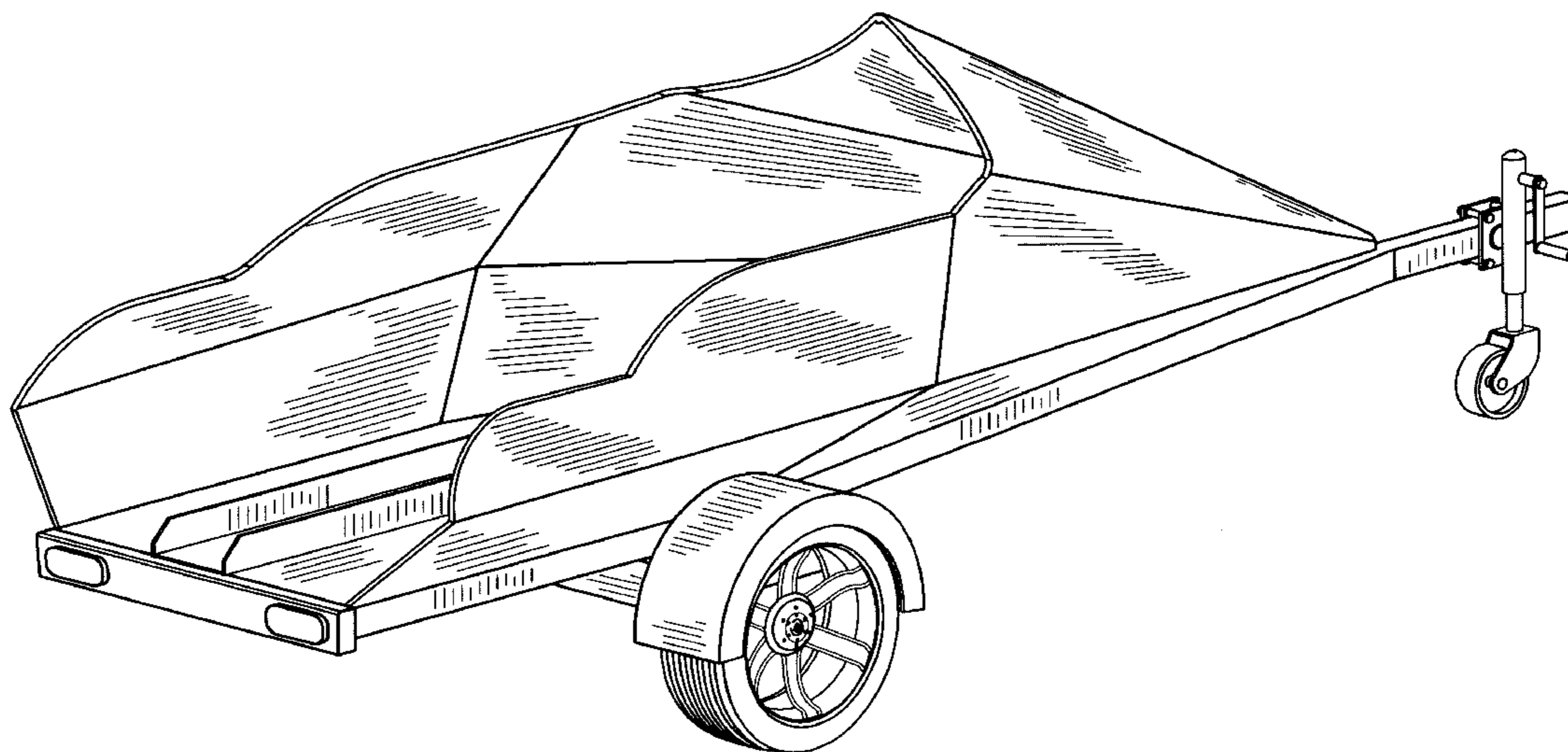
(56) **References Cited**

FIG. 5 is a top plan view of the chopper chariot trailer; and,
FIG. 6 is a bottom plan view of the chopper chariot trailer.

U.S. PATENT DOCUMENTS

3,653,677 A * 4/1972 Feser D12/101
D292,785 S * 11/1987 Warren D12/101

1 Claim, 5 Drawing Sheets



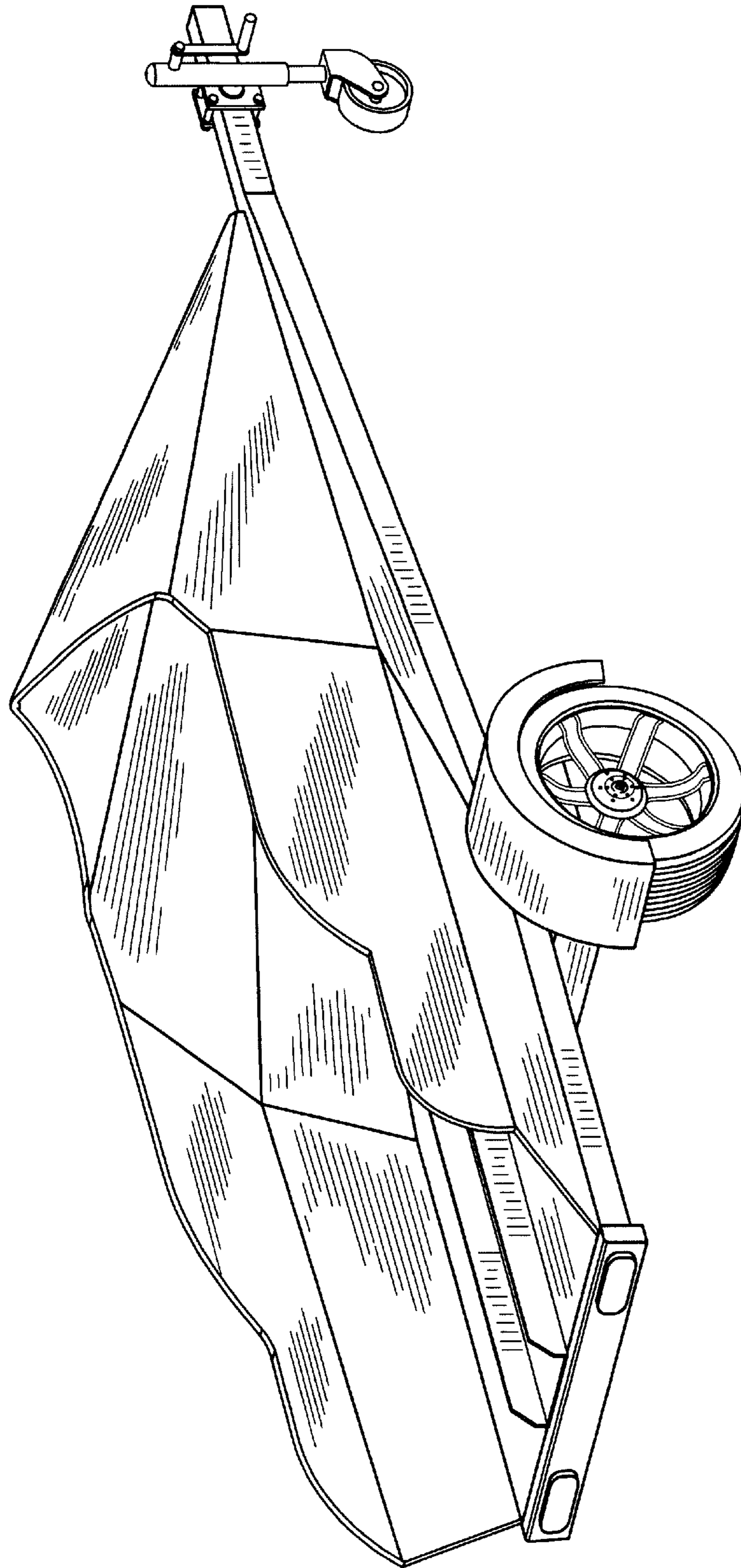


FIG. 1

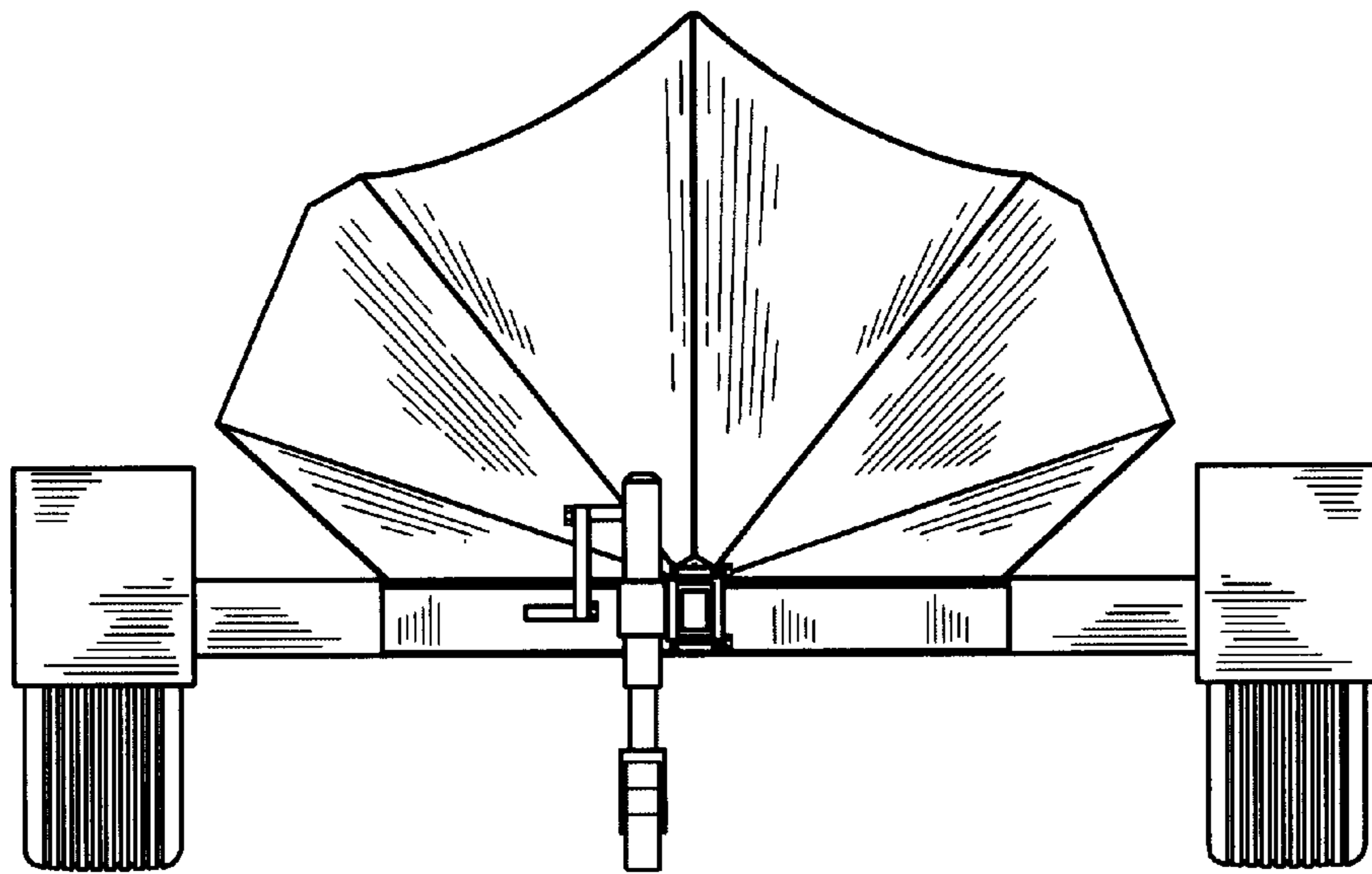


FIG. 2

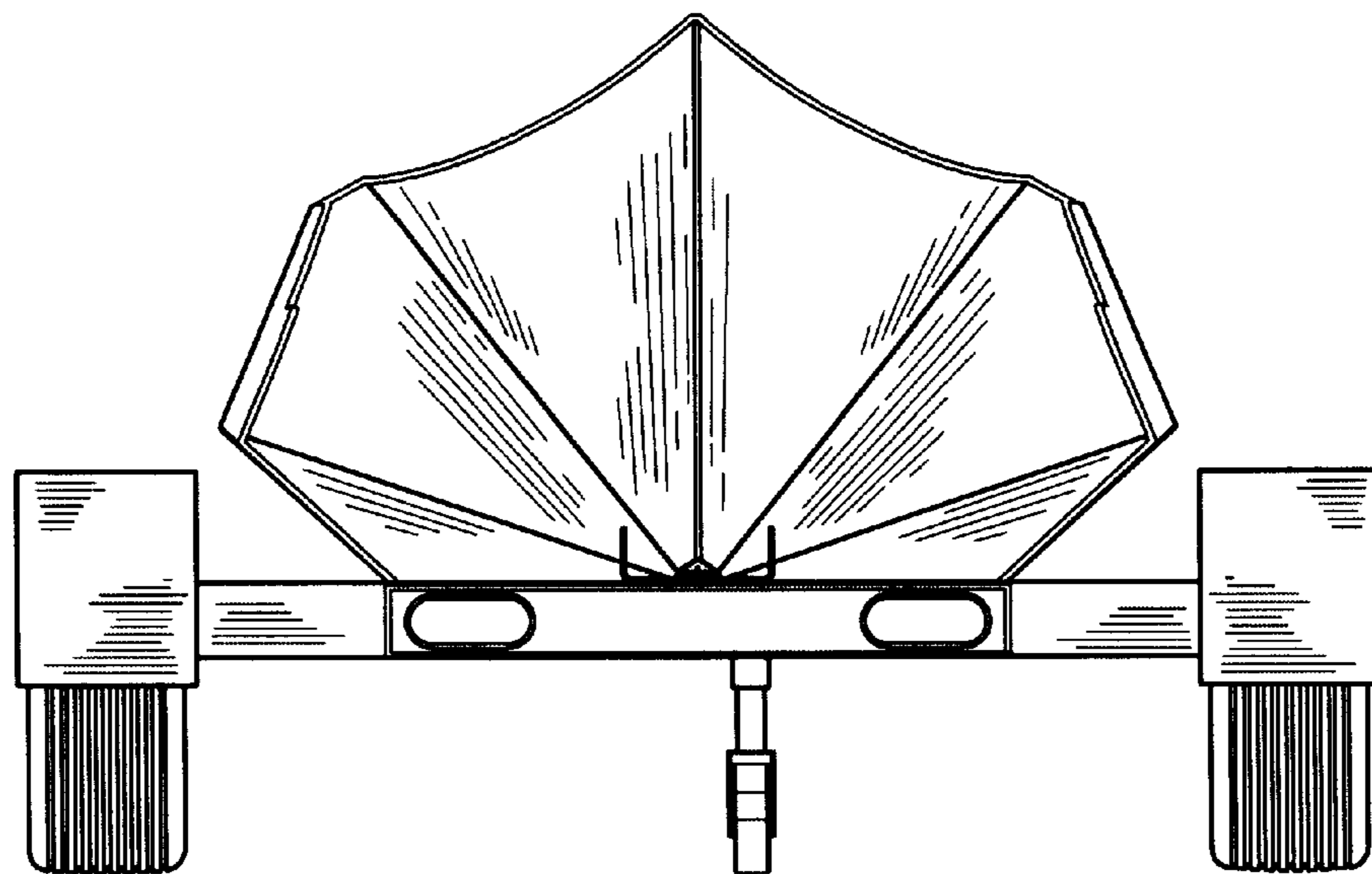


FIG. 3

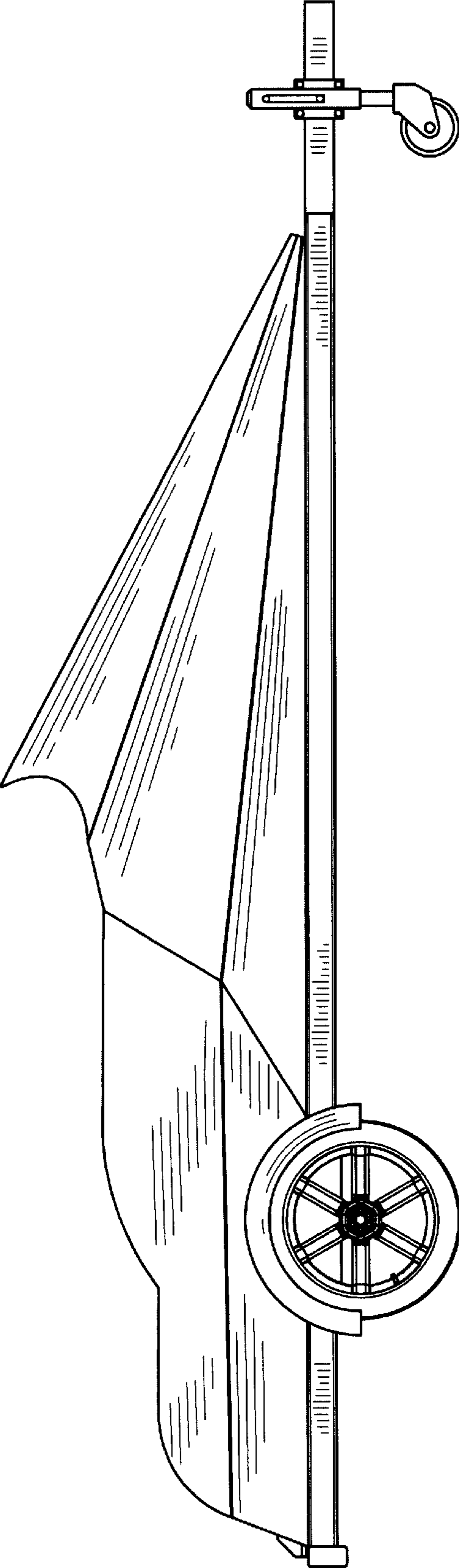


FIG. 4

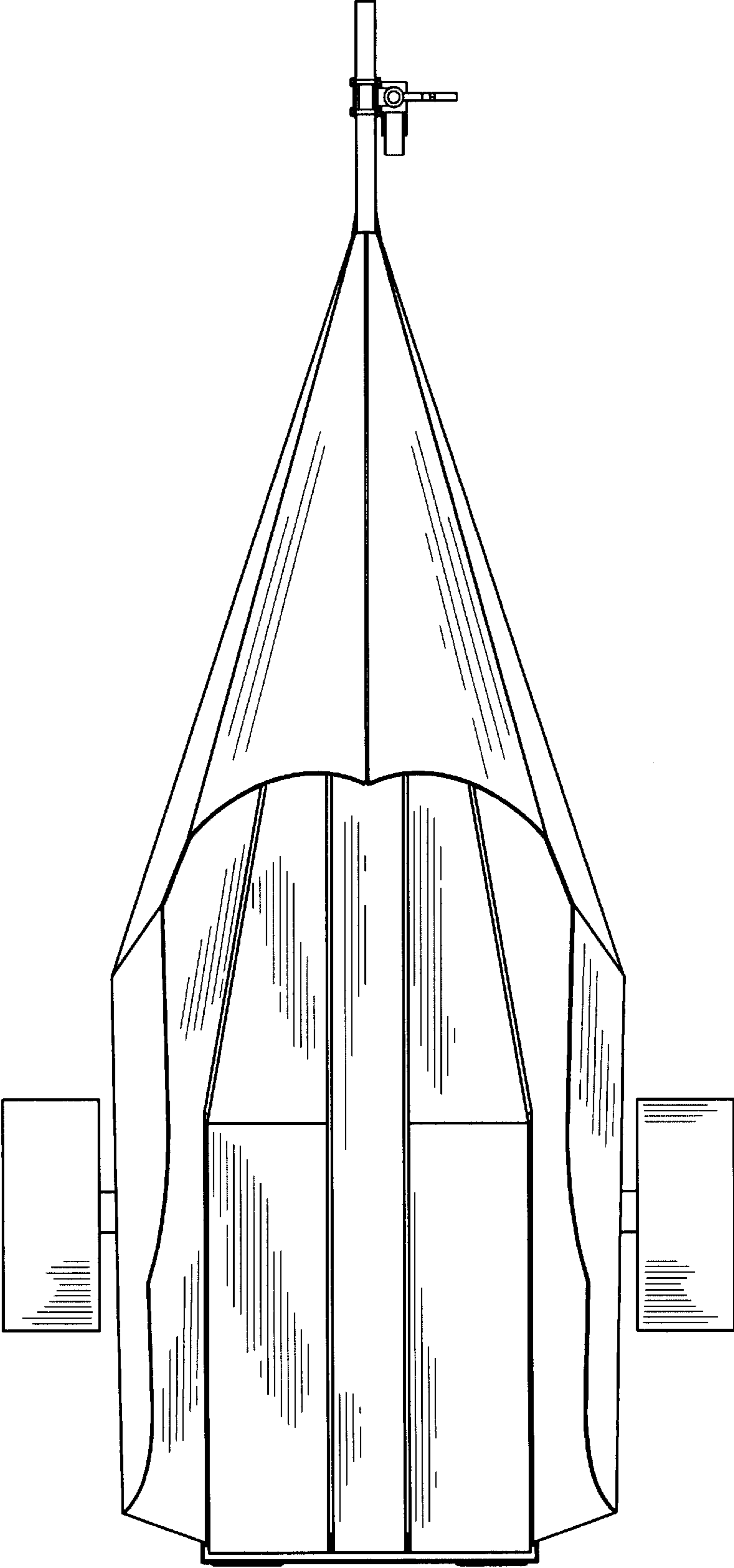


FIG. 5

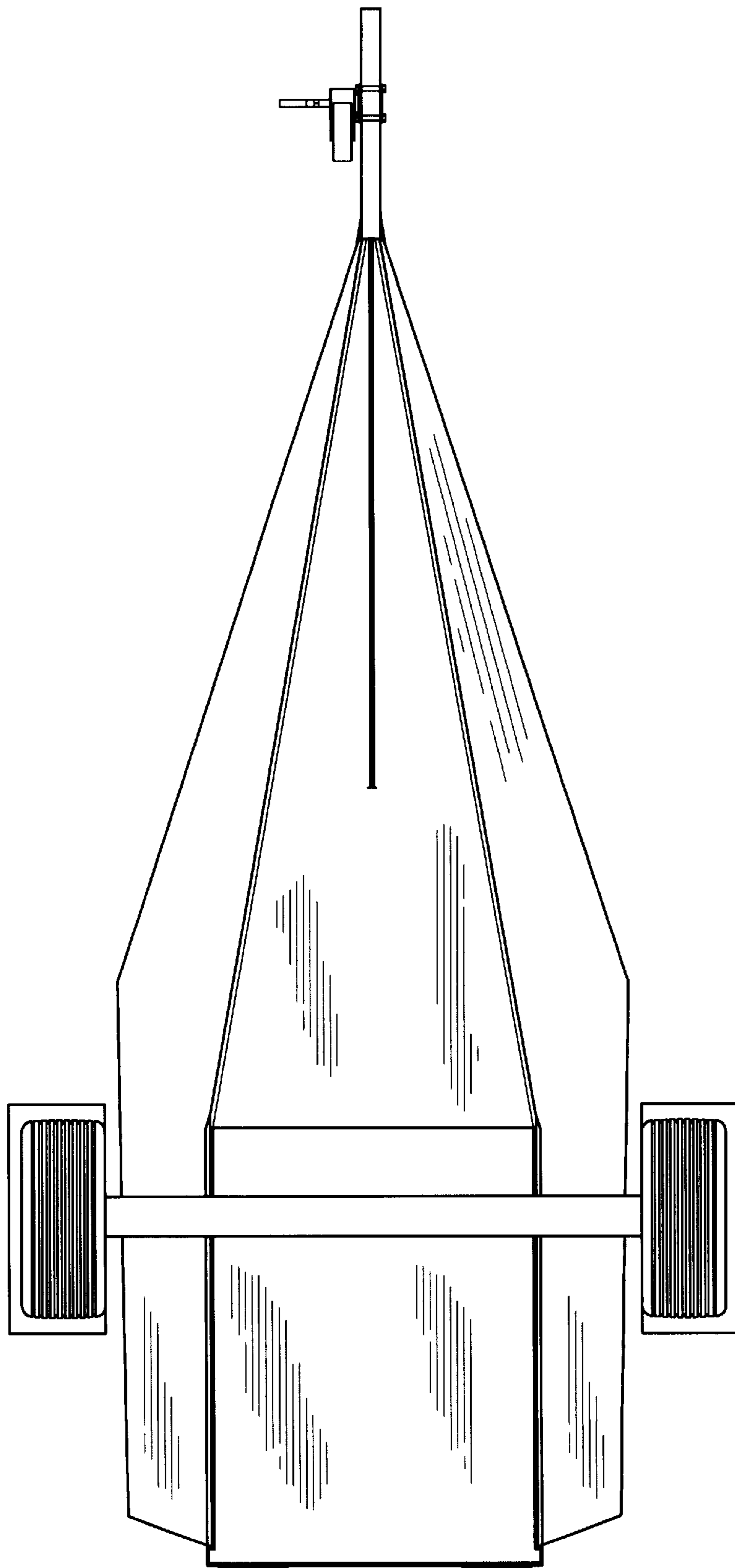


FIG. 6