



US00D522919S

(12) **United States Design Patent**  
**Teot**

(10) **Patent No.:** **US D522,919 S**

(45) **Date of Patent:** **\*\* Jun. 13, 2006**

(54) **PICKUP TRUCK**

(75) **Inventor:** **Richard Scott Teot**, Midland, MI (US)

(73) **Assignee:** **Teot Experimental Design and Development**, Midland, MI (US)

(\*\*) **Term:** **14 Years**

(21) **Appl. No.:** **29/231,501**

(22) **Filed:** **Jun. 7, 2005**

(51) **LOC (8) Cl.** ..... **12-08**

(52) **U.S. Cl.** ..... **D12/98**

(58) **Field of Classification Search** ..... D12/98,  
D12/93; 296/181.2, 181.3

See application file for complete search history.

(56) **References Cited**

**U.S. PATENT DOCUMENTS**

D504,356 S \* 4/2005 Metros et al. .... D12/98

D504,357 S \* 4/2005 Aneiros et al. .... D12/98

D508,440 S \* 8/2005 Hall et al. .... D12/98

D509,772 S \* 9/2005 Hattori et al. .... D12/98

\* cited by examiner

*Primary Examiner*—Melody N. Brown

(74) *Attorney, Agent, or Firm*—Hoffman, Wasson & Gitler, PC

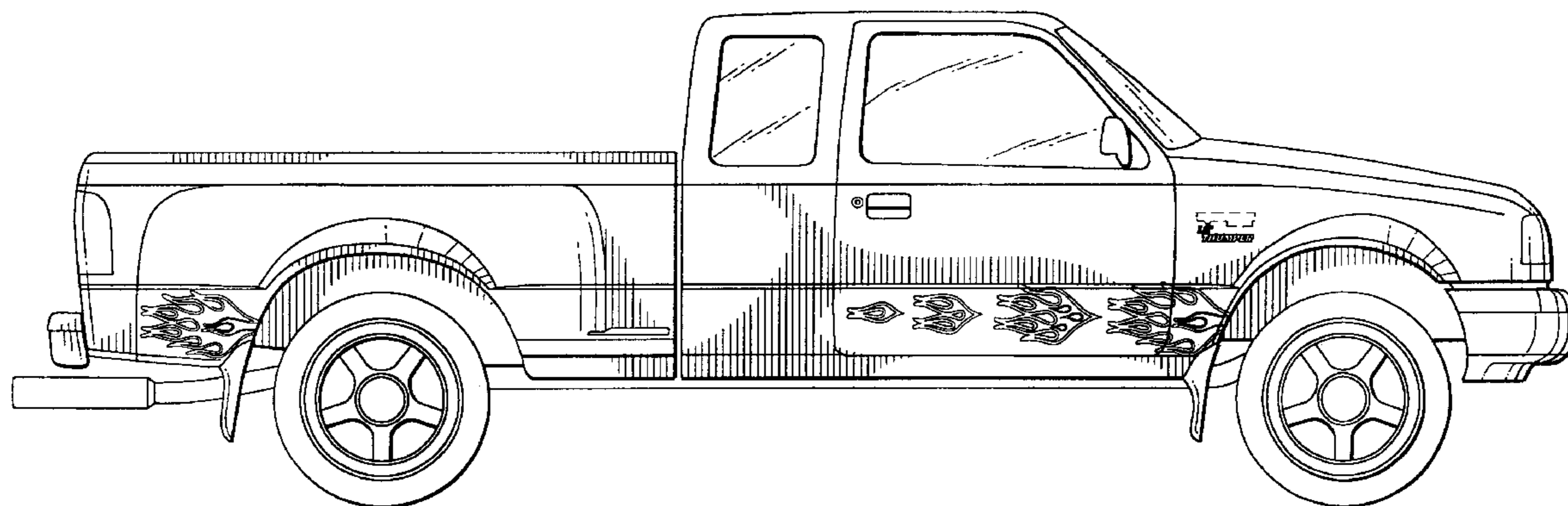
(57) **CLAIM**

The ornamental design for a pickup truck, as shown and described.

**DESCRIPTION**

FIG. 1 is a front view of the pickup truck;  
FIG. 2 is a rear view of the pickup truck;  
FIG. 3 is a side view of the pickup truck;  
FIG. 4 is a top view of the pickup truck; and,  
FIG. 5 is a bottom view of the pickup truck.

**1 Claim, 3 Drawing Sheets**



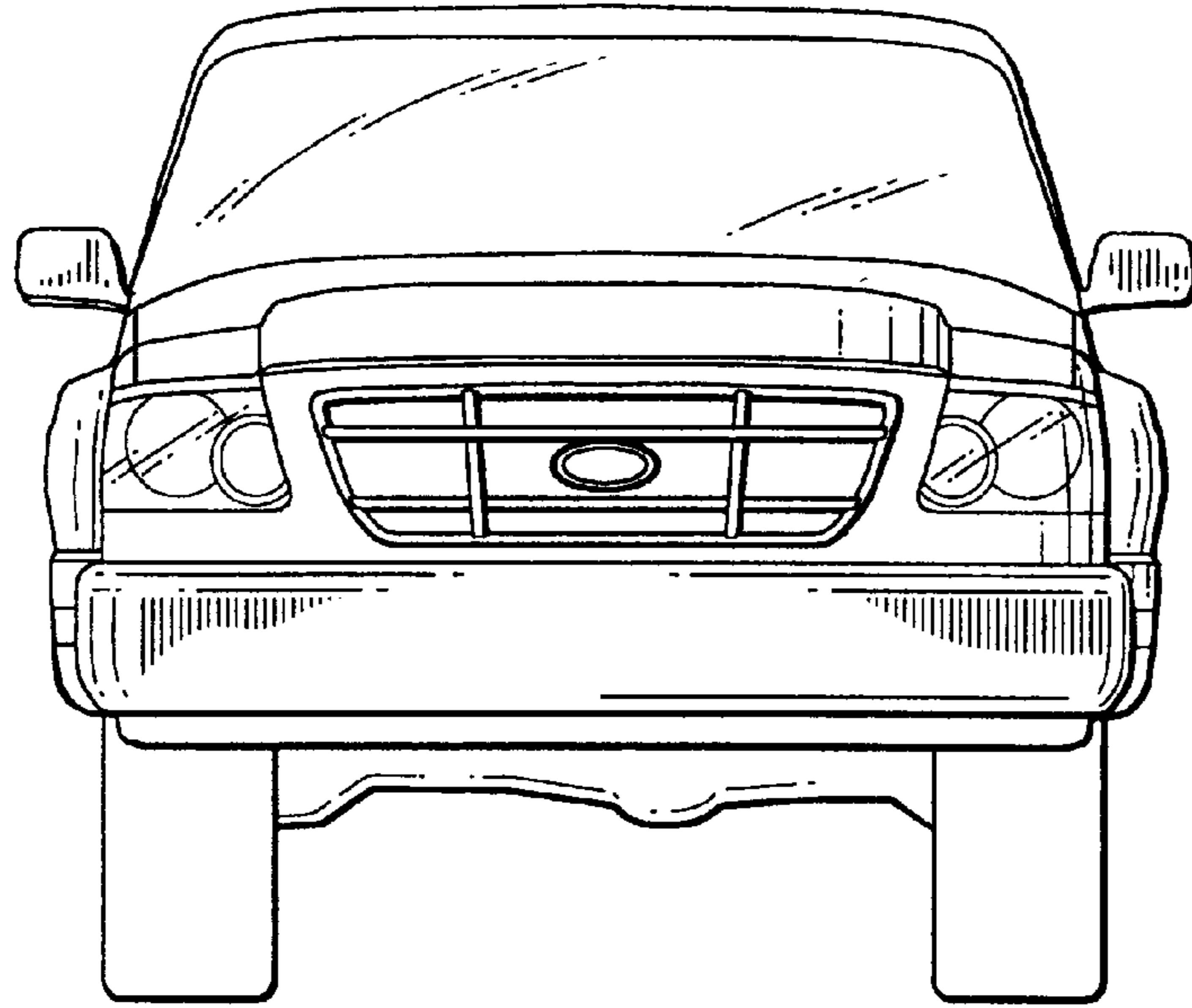


FIG. 1

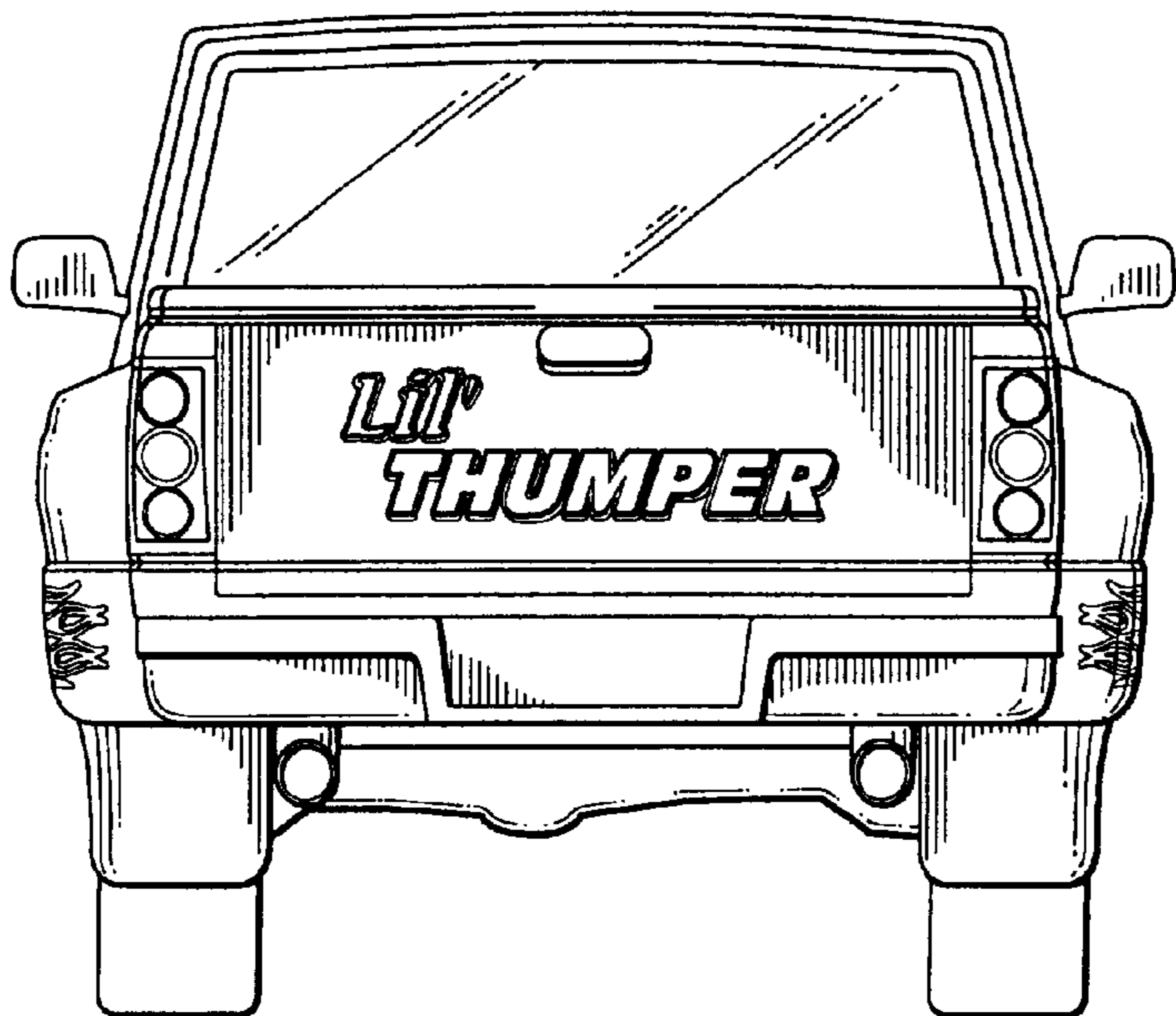


FIG. 2

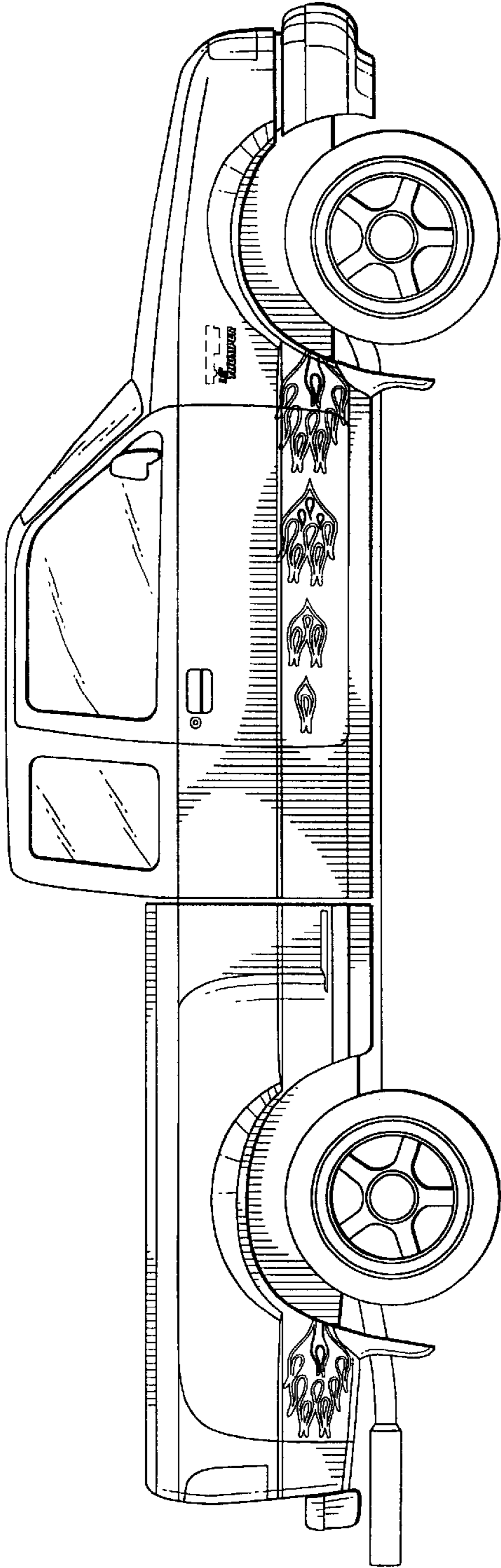


FIG. 3

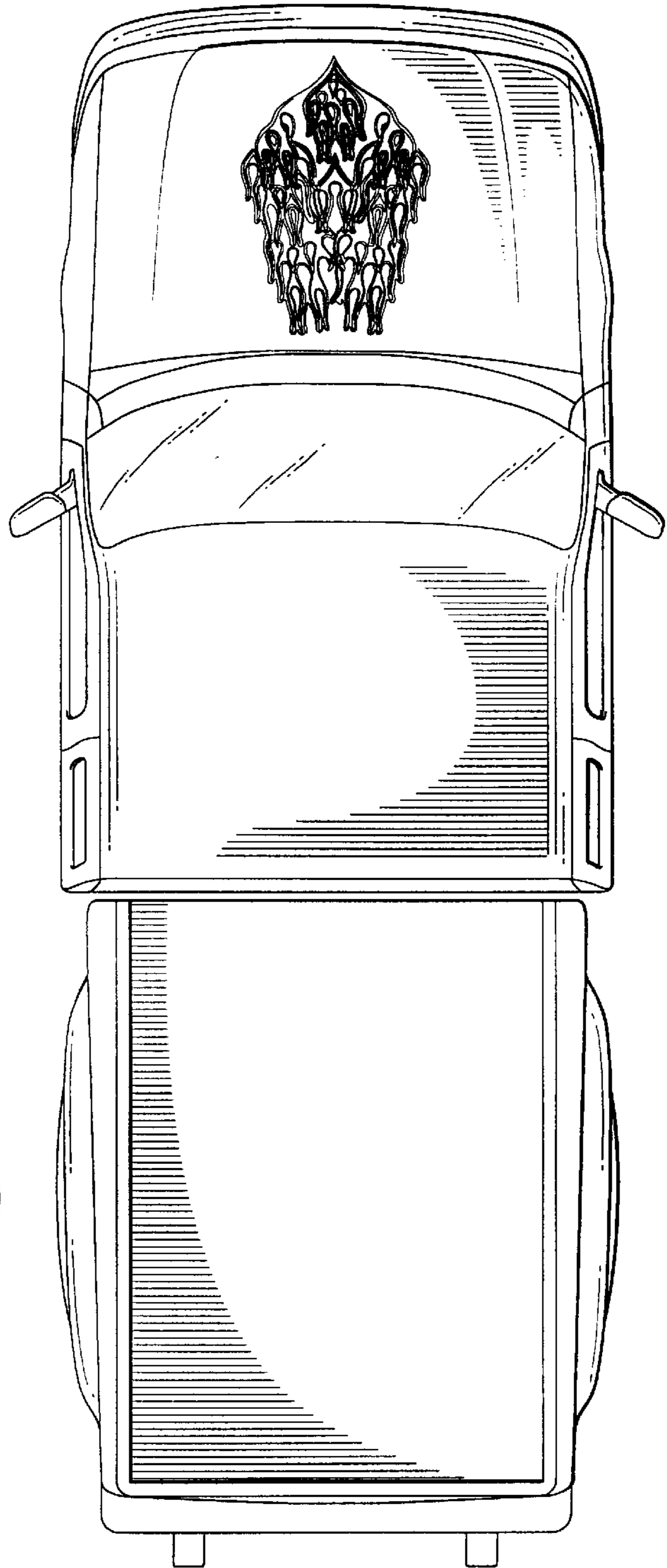


FIG. 4

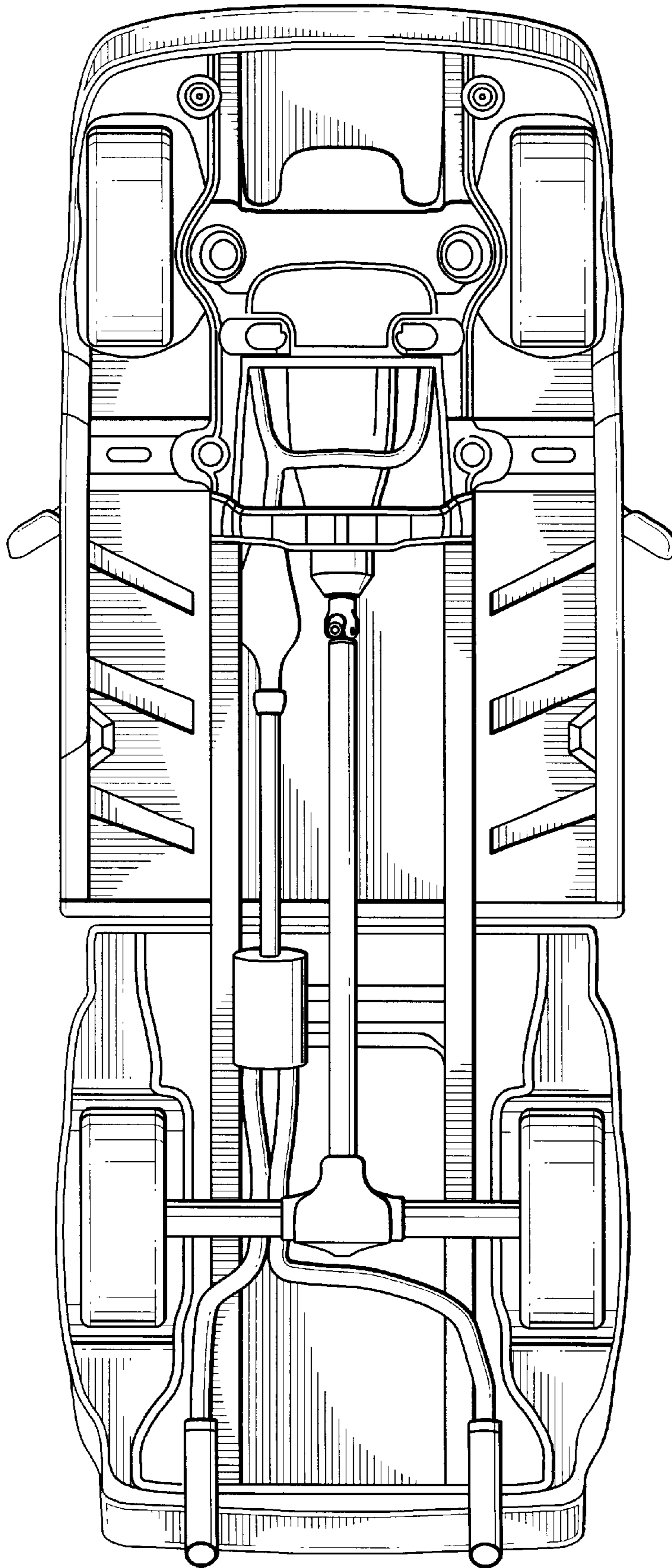


FIG. 5