



US00D522903S

(12) **United States Design Patent**
Jorgensen

(10) **Patent No.:** **US D522,903 S**
(45) **Date of Patent:** **** Jun. 13, 2006**

(54) **RING WITH STAR OF DAVID**

(76) Inventor: **Ragnar R. Jorgensen**, Handvaerhaven
33, st.th., 2400 Kobehavn NV (DK)

(**) Term: **14 Years**

(21) Appl. No.: **29/227,405**

(22) Filed: **Apr. 11, 2005**

(30) **Foreign Application Priority Data**

Oct. 11, 2004 (DK) DA 2004 00314

(51) **LOC (8) Cl.** **11-01**

(52) **U.S. Cl.** **D11/26**

(58) **Field of Classification Search** D11/1-4,
D11/6, 9-10, 12, 17, 22, 26-50, 53-79, 81,
D11/84, 91-95, 103, 108; 63/1.13, 3-4, 12-13,
63/14.1-14.9, 15, 15.1-15.4, 15.45, 15.5-15.6,
63/15.65, 15.7-15.9, 20, 22-23, 26-29, 35,
63/43

See application file for complete search history.

(56) **References Cited**

U.S. PATENT DOCUMENTS

- D99,688 S * 5/1936 Tomlison D11/39
- D136,481 S * 10/1943 Bartmess D11/38
- D184,833 S * 4/1959 Sager D11/39
- D215,329 S * 9/1969 Shiman D11/34
- D221,797 S * 9/1971 Annesley D11/26
- D245,323 S * 8/1977 Galeza D11/39

- D262,199 S * 12/1981 Bogner et al. D11/38
- D337,543 S * 7/1993 Caldow D11/26
- 6,026,572 A * 2/2000 Caldaro 63/15
- D424,966 S * 5/2000 Ofiesh, II D11/26
- D440,180 S * 4/2001 Giesen D11/26
- 2005/0199007 A1 * 9/2005 LaCroix 63/28
- 2005/0257567 A1 * 11/2005 Bondanza 63/15.1

OTHER PUBLICATIONS

Platinum Guild International USA catalog; Platinum Edition
9; 2001; p. 27; Benchmark ring, upper center of page;*

* cited by examiner

Primary Examiner—Cathy Anne MacCormac

(74) *Attorney, Agent, or Firm*—Gifford, Krass, Groh,
Sprinkle, Anderson & Citowski, P.C.

(57) **CLAIM**

I claim the ornamental design for a ring with star of David,
as shown.

DESCRIPTION

FIG. 1 is a perspective view of a ring embodying my design;
FIG. 2 is a front view thereof, it being understood that the
rear is substantially similar;
FIG. 3 is a top plan view thereof;
FIG. 4 is a bottom plan view thereof; and,
FIG. 5 is a right side elevation view thereof, it being
understood that the left side elevation view is substantially
similar.

1 Claim, 2 Drawing Sheets

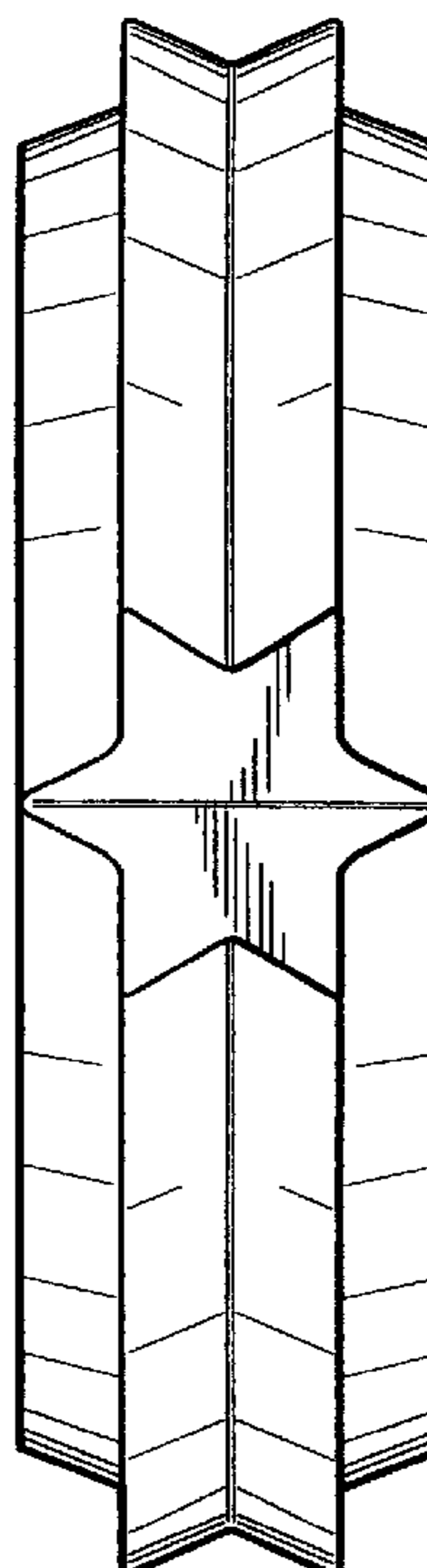
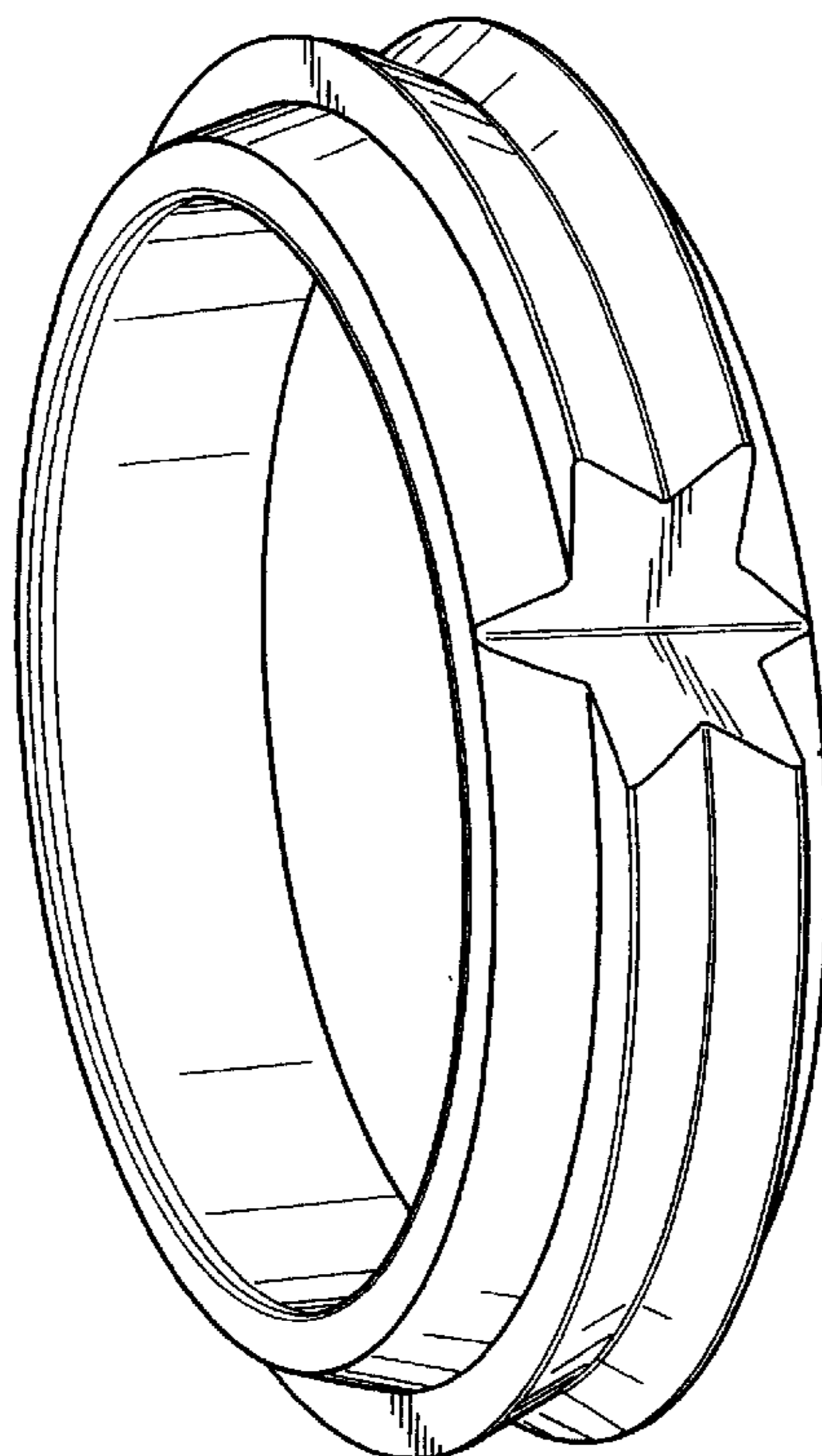


FIG - 1

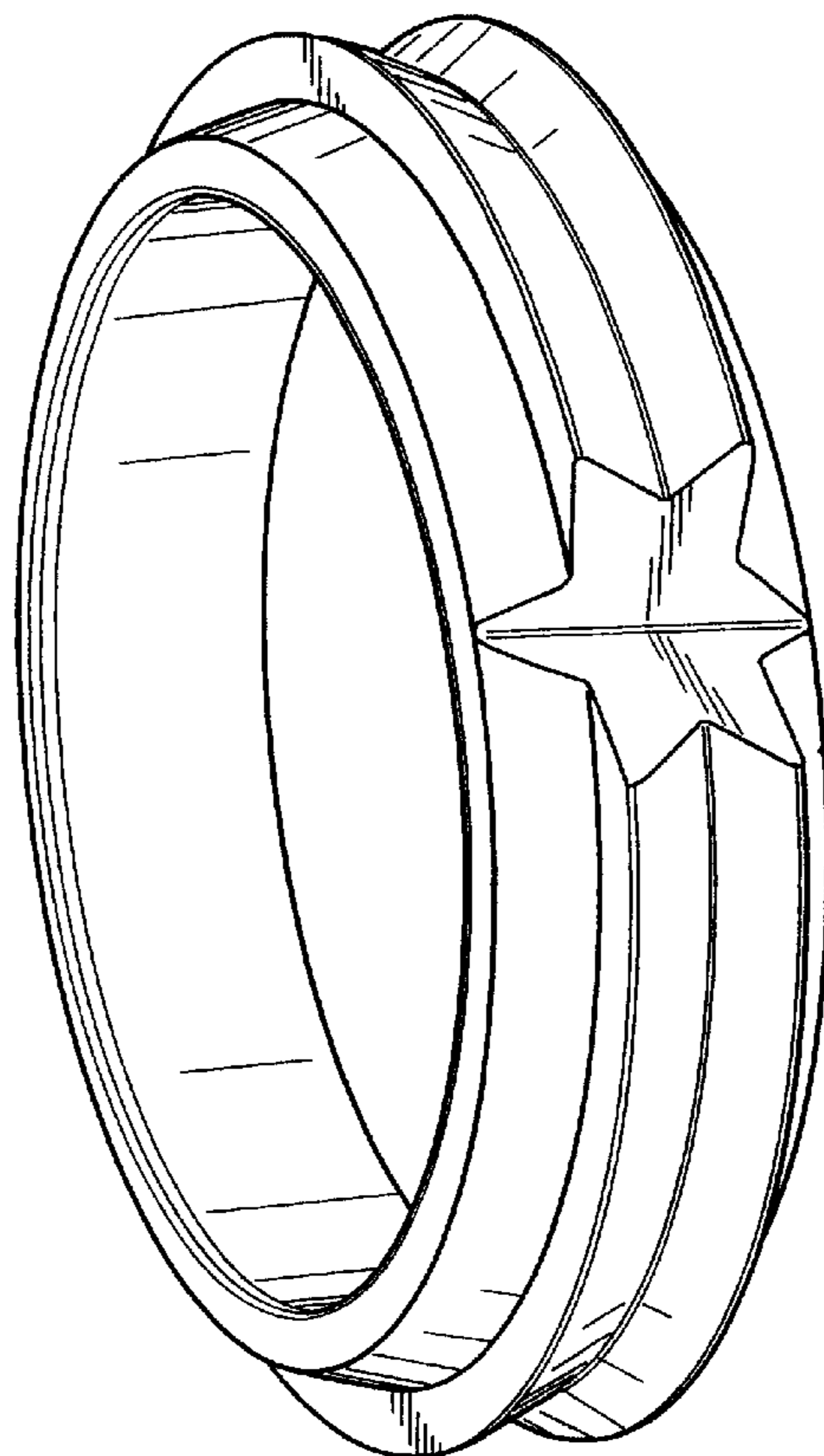
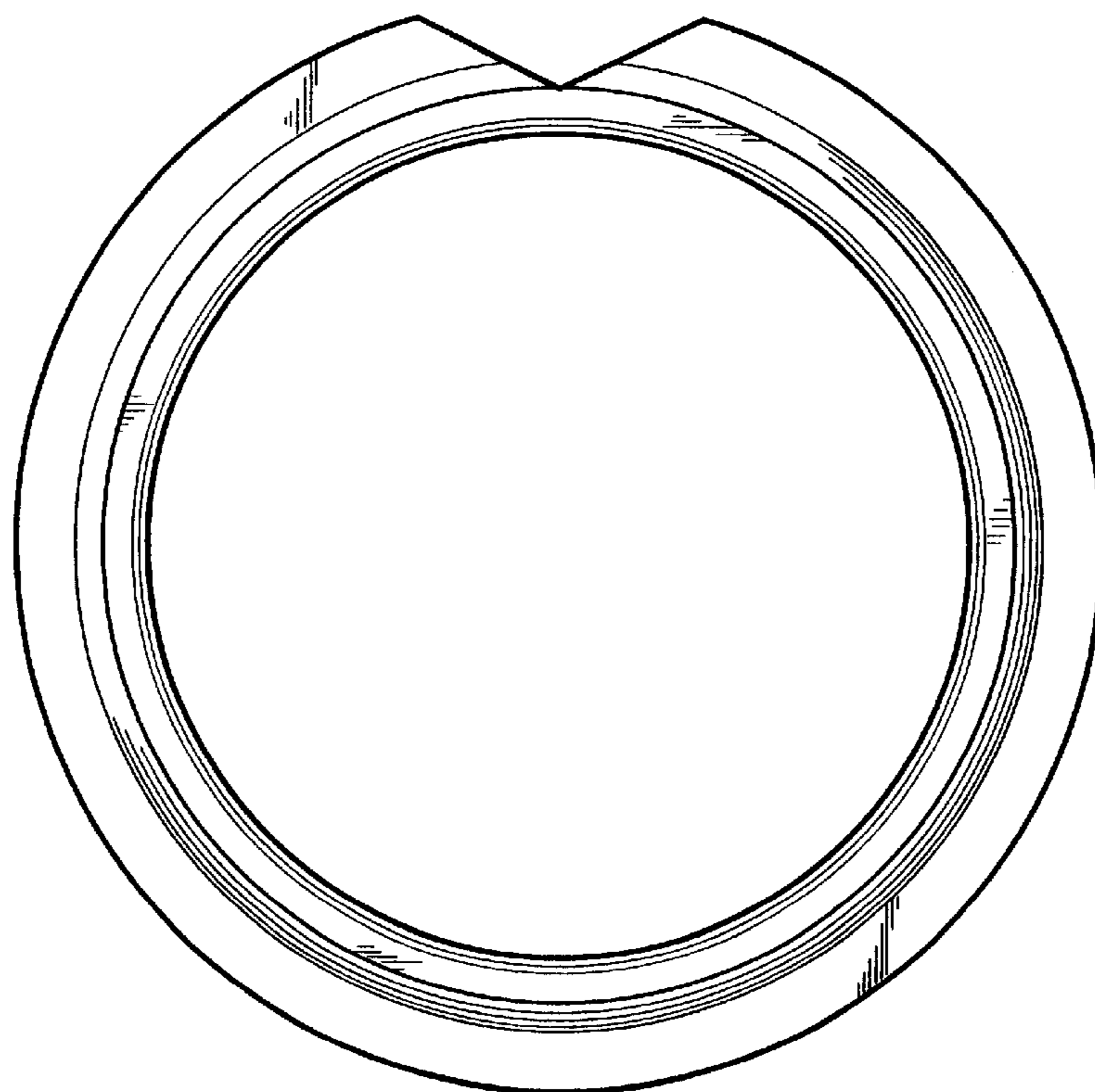


FIG - 2



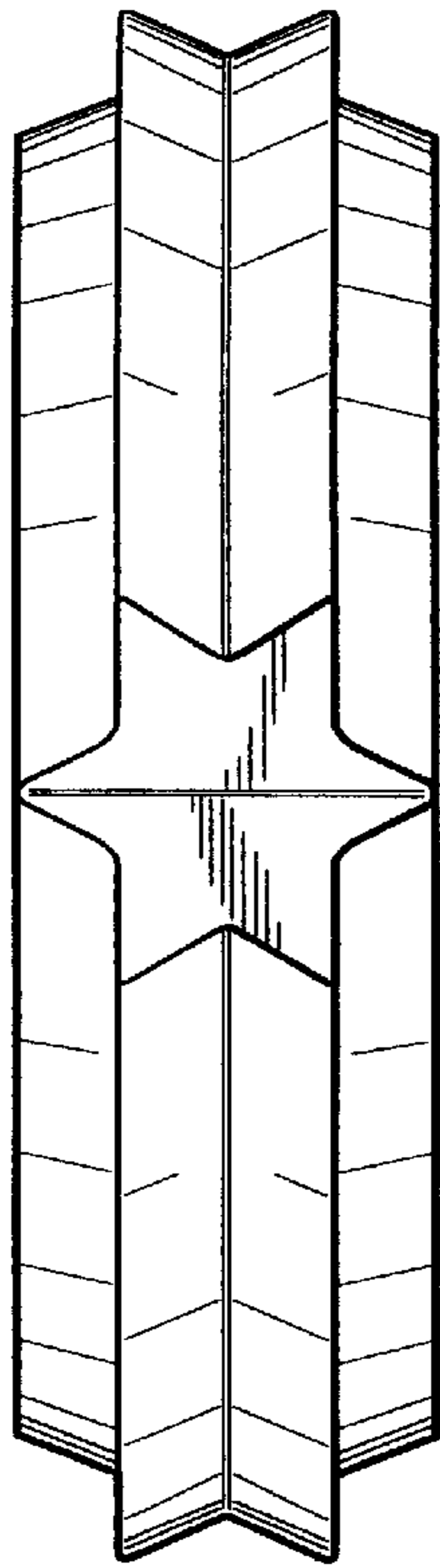


FIG - 3

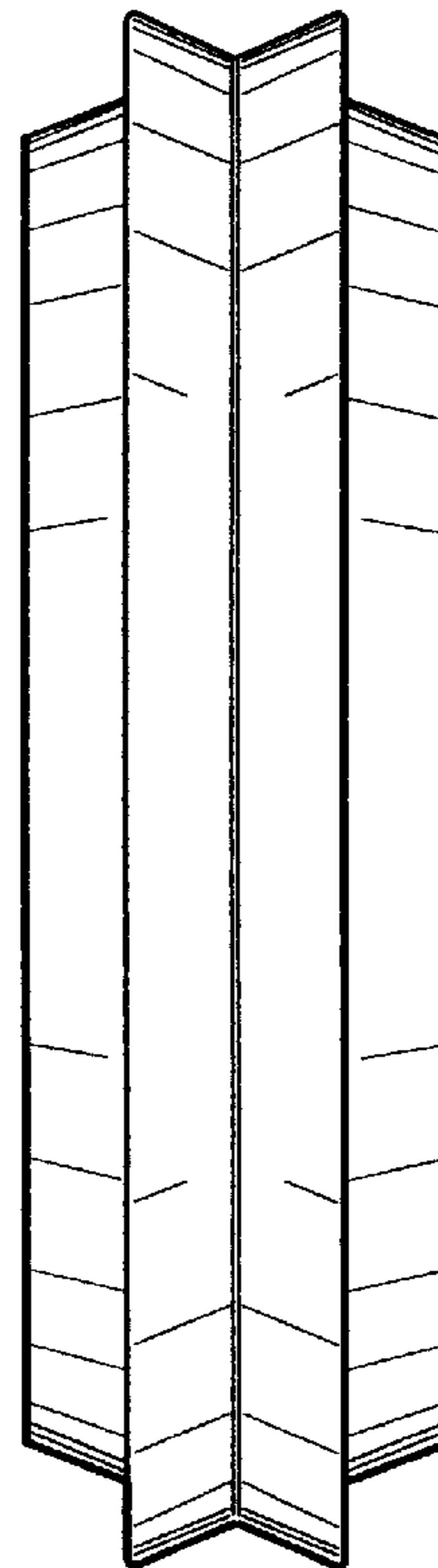


FIG - 4

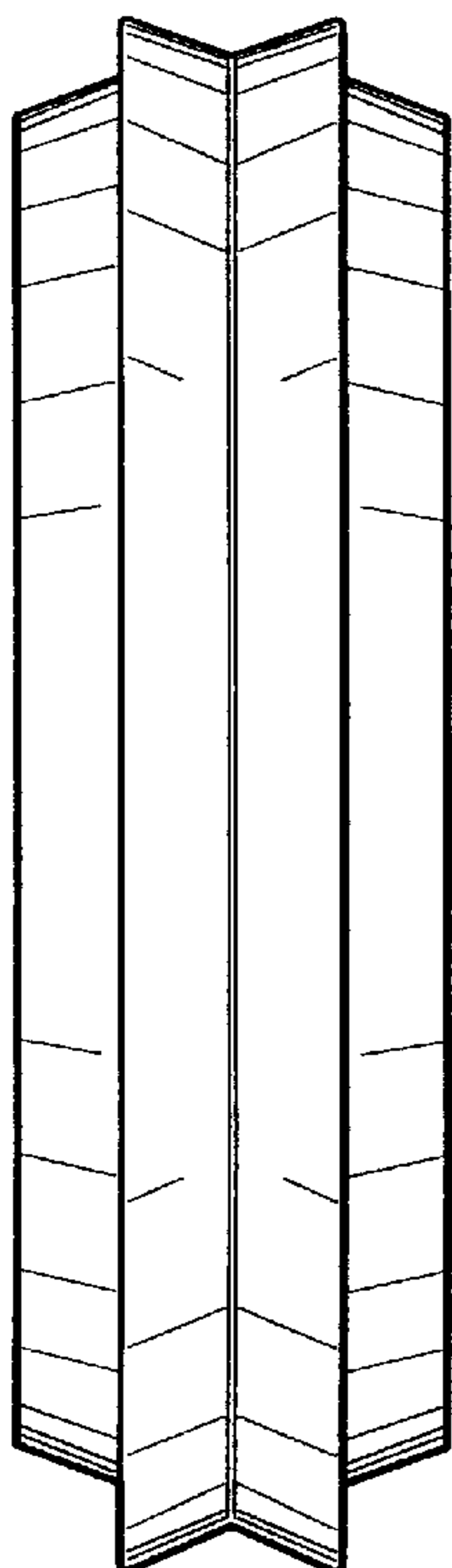


FIG - 5