

US00D522900S

(12) **United States Design Patent**
Yamamoto et al.

(10) **Patent No.:** **US D522,900 S**
(45) **Date of Patent:** **** Jun. 13, 2006**

(54) **WRIST WATCH STRAP**
(75) Inventors: **Yasushi Yamamoto**, Tokyo (JP);
Ryusuke Moriai, Tokyo (JP)
(73) Assignee: **Casio Keisanki Kabushiki Kaisha**,
Tokyo (JP)

D387,692 S * 12/1997 Hanagata D11/3
D404,329 S * 1/1999 Jorst D11/25
D407,342 S * 3/1999 Ishizaka D11/3
D408,314 S * 4/1999 Kojima et al. D11/3
D410,406 S * 6/1999 Iwamoto et al. D11/3
D443,221 S * 6/2001 Jacob et al. D11/3

(**) Term: **14 Years**

* cited by examiner

(21) Appl. No.: **29/233,041**

Primary Examiner—Doris Clark

Assistant Examiner—Michael A. Pratt

(22) Filed: **Jun. 27, 2005**

(74) *Attorney, Agent, or Firm*—Frishauf, Holtz, Goodman
& Chick, P.C.

(30) **Foreign Application Priority Data**

(57) **CLAIM**

Jun. 3, 2005 (JP) 2005-016229

The ornamental design for a wrist watch strap, as shown.

(51) **LOC (8) Cl.** **11-01**

DESCRIPTION

(52) **U.S. Cl.** **D11/3**

(58) **Field of Classification Search** D11/1-25;
224/164; 368/280-282; 59/80-84
See application file for complete search history.

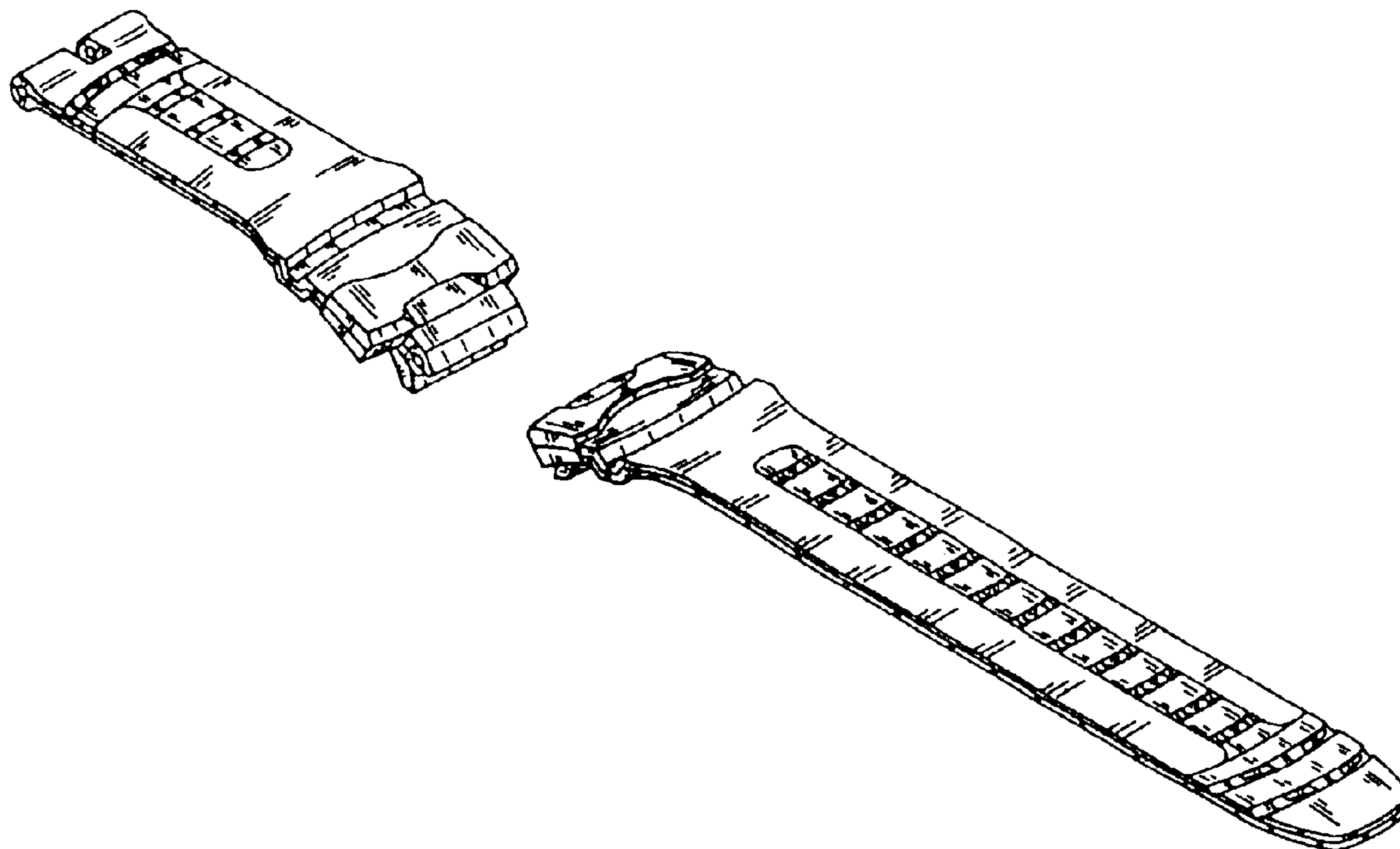
FIG. 1 is an enlarged scale front, left side, bottom perspec-
tive view of a wrist watch strap showing our new design;
FIG. 2 is a front elevational view thereof;
FIG. 3 is a rear elevational view thereof;
FIG. 4 is a left side view thereof;
FIG. 5 is a right side view thereof;
FIG. 6 is a top plan view thereof; and,
FIG. 7 is a bottom plan view thereof.

(56) **References Cited**

U.S. PATENT DOCUMENTS

D340,004 S * 10/1993 Butler D11/19
D382,828 S * 8/1997 Houlihan D11/3

1 Claim, 3 Drawing Sheets



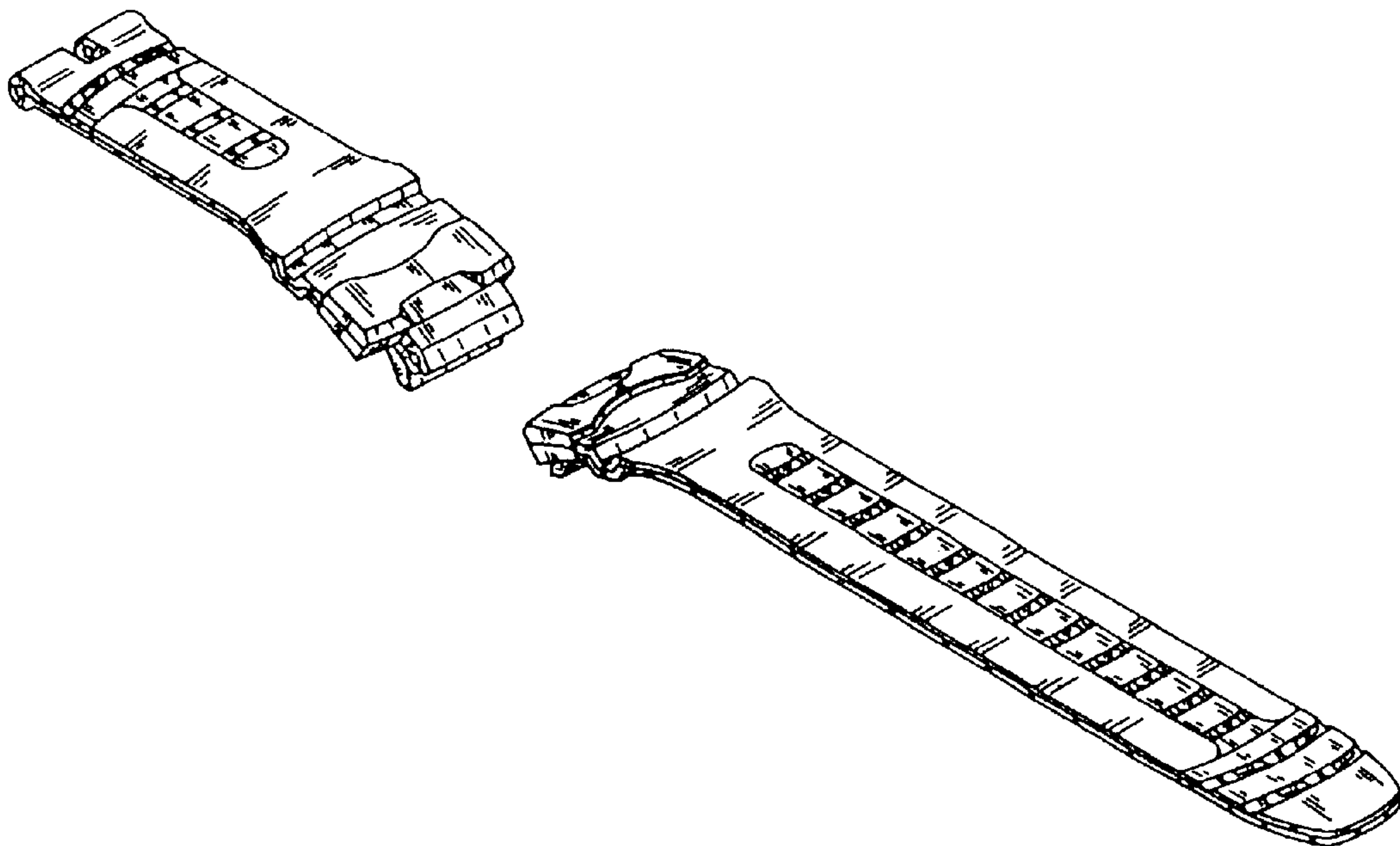


FIG. 1

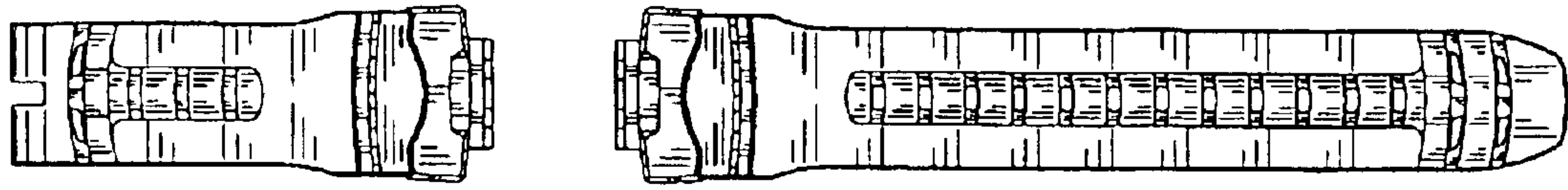


FIG. 2

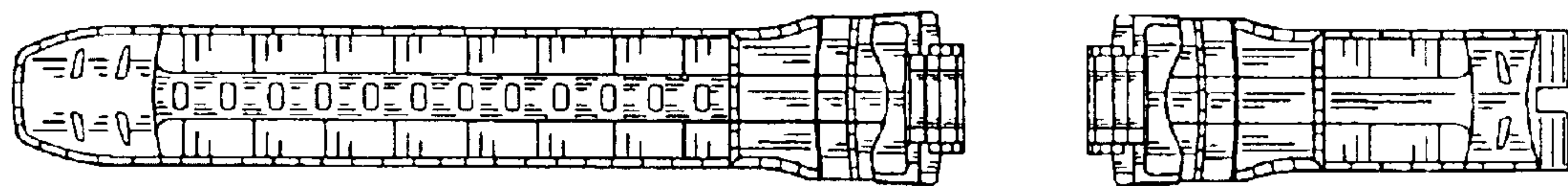


FIG. 3

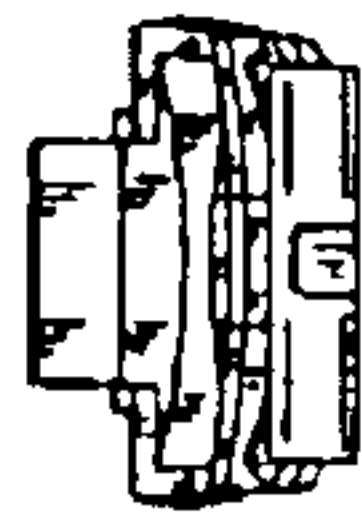


FIG. 4

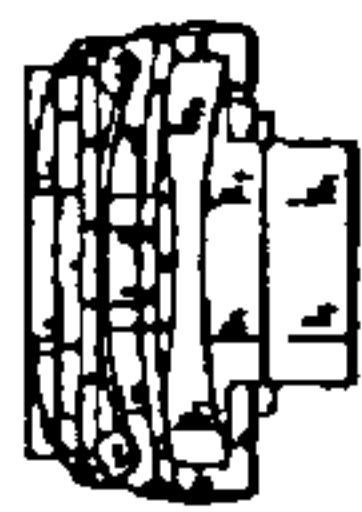


FIG. 5



FIG. 6



FIG. 7

UNITED STATES PATENT AND TRADEMARK OFFICE
CERTIFICATE OF CORRECTION

PATENT NO. : Des. 522,900 S
APPLICATION NO. : 29/233041
DATED : June 13, 2006
INVENTOR(S) : Yasushi Yamamoto et al.


Page 1 of 4

It is certified that error appears in the above-identified patent and that said Letters Patent is hereby corrected as shown below:

Replace sheets 1, 2 and 3 of the Drawings with the attached corrected sheets showing Fig. 1, 2, 3, 6 and 7 with brackest thereon.

Signed and Sealed this

Thirtieth Day of October, 2007

A handwritten signature in black ink on a light gray dotted background. The signature reads "Jon W. Dudas" in a cursive style.

JON W. DUDAS

Director of the United States Patent and Trademark Office

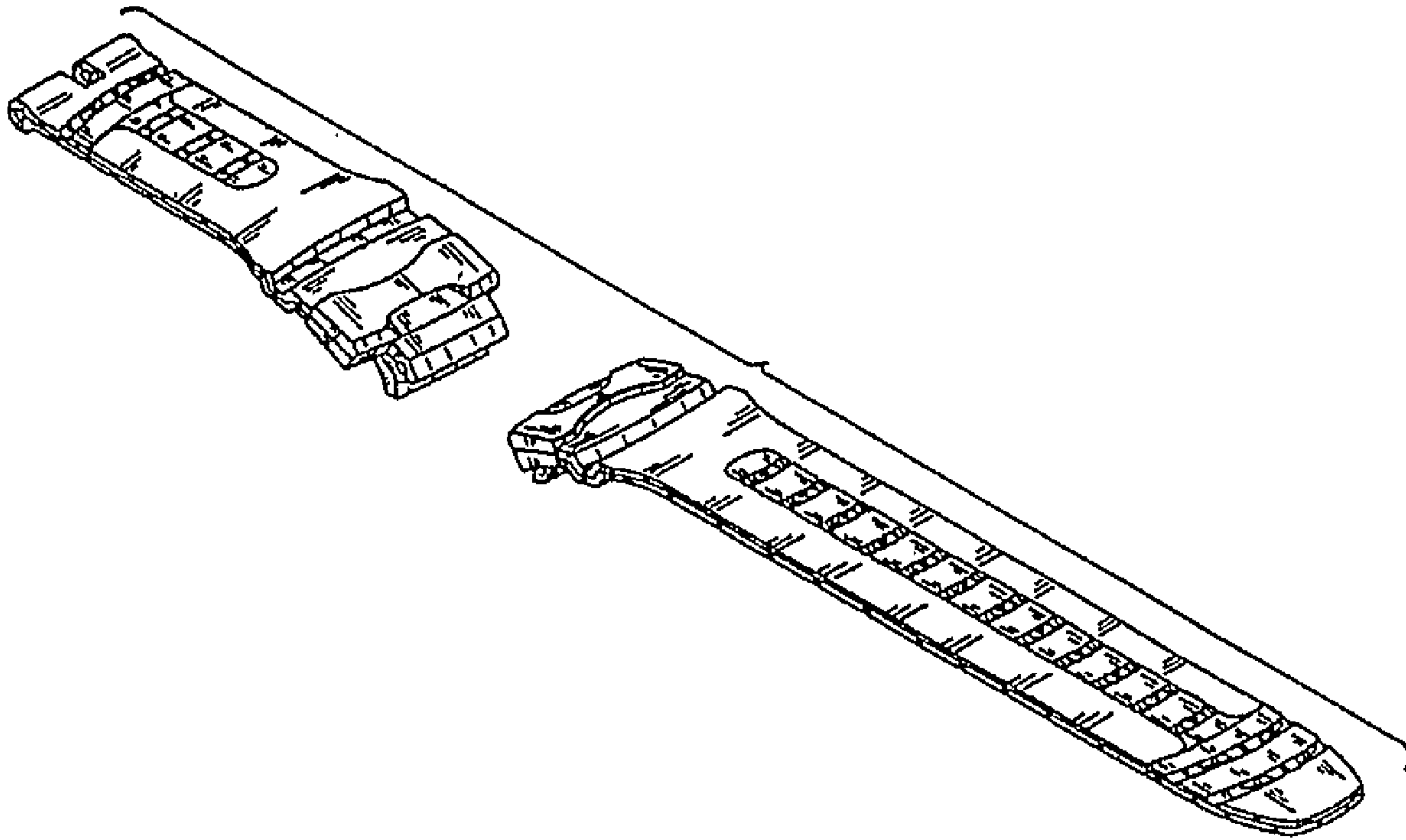


FIG. 1

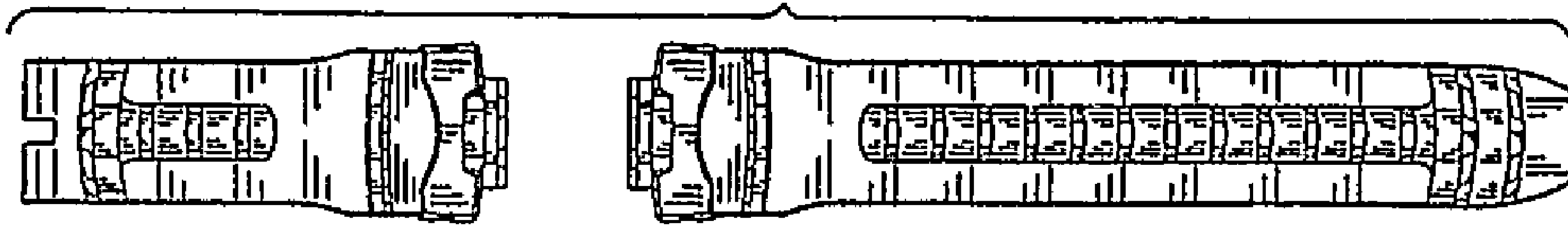


FIG. 2

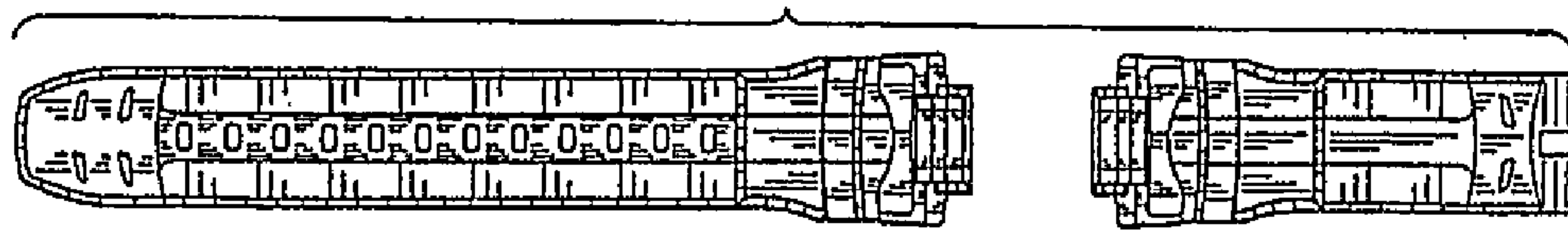


FIG. 3



FIG. 4

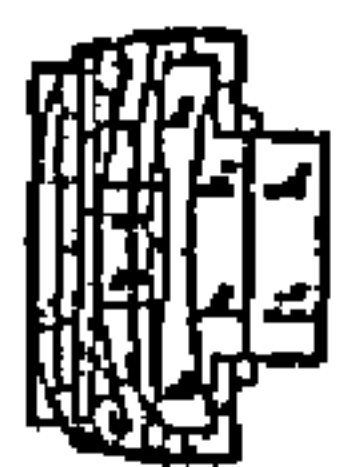


FIG. 5

U.S. Patent

Jun. 13, 2006

Sheet 3 of 3

D522,900 S

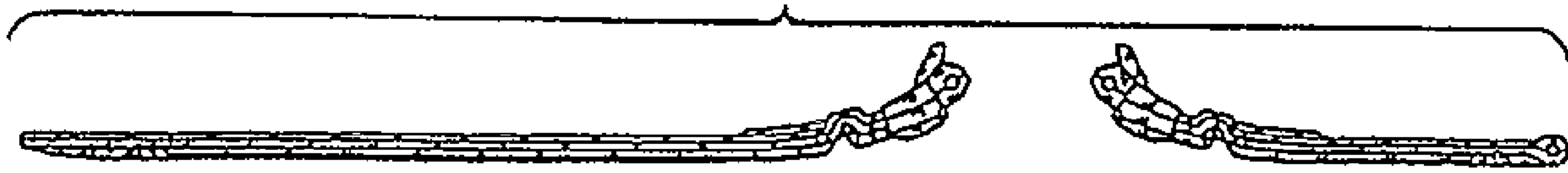


FIG. 6



FIG. 7

UNITED STATES PATENT AND TRADEMARK OFFICE
CERTIFICATE OF CORRECTION

PATENT NO. : Des. 522,900 S
APPLICATION NO. : 29/233041
DATED : June 13, 2006
INVENTOR(S) : Yasushi Yamamoto et al.

Page 1 of 5

It is certified that error appears in the above-identified patent and that said Letters Patent is hereby corrected as shown below:

Delete the title page and substitute therefor the attached title page.

Replace sheets 1, 2 and 3 of the Drawings with the attached corrected sheets showing Fig. 1, 2, 3, 6 and 7 with bracket thereon.

This certificate supersedes Certificate of Correction issued October 30, 2007.

Signed and Sealed this

Twentieth Day of November, 2007

A handwritten signature in black ink on a light gray dotted background. The signature reads "Jon W. Dudas" in a cursive, stylized script.

JON W. DUDAS

Director of the United States Patent and Trademark Office

(12) **United States Design Patent** (30) Patent No.: **US D522,900 S**
Yamamoto et al. (45) Date of Patent: **** Jun. 13, 2006**

(54) **WRIST WATCH STRAP**

(75) Inventors: **Yasushi Yamamoto, Tokyo (JP);
 Ryusuke Moriui, Tokyo (JP)**

(73) Assignee: **Casio Keisanki Kabushiki Kaisha,
 Tokyo (JP)**

(**) Term: **14 Years**

(21) Appl. No.: **29/233,041**

(22) Filed: **Jun. 27, 2005**

(30) Foreign Application Priority Data
 Jun. 3, 2005 (JP) 2005-016229

(51) LOC (8) Cl. 11-01

(52) U.S. Cl. D11/3

(58) Field of Classification Search D11/1-25;
 224/164; 368/280-282; 59/80-84
 See application file for complete search history.

(56) **References Cited**

U.S. PATENT DOCUMENTS

D340,004 S * 10/1993 Butler D11/19
 D362,828 S * 8/1997 Honohan D11/3

D387,692 S * 12/1997 Hanagata D11/3
 D404,329 S * 1/1999 Junt D11/25
 D407,342 S * 3/1999 Ishizaka D11/3
 D408,314 S * 4/1999 Kojima et al. D11/3
 D410,406 S * 6/1999 Iwamoto et al. D11/3
 D443,221 S * 6/2001 Jacob et al. D11/3

* cited by examiner

Primary Examiner—Doris Clark

Assistant Examiner—Michael A. Pratt

(74) *Attorney, Agent, or Firm*—Frishauf, Holtz, Goodman
 & Chick, P.C.

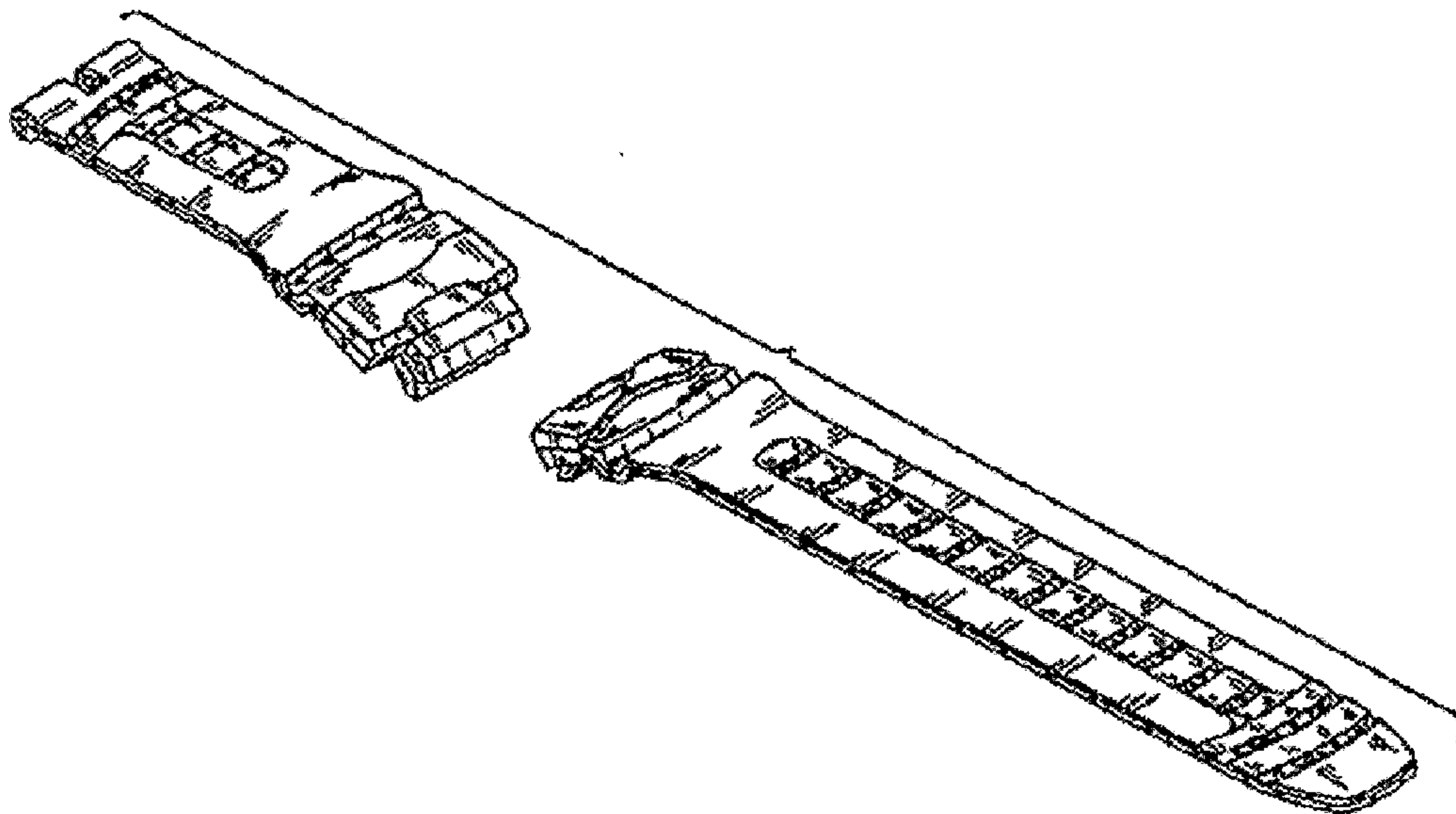
(57) **CLAIM**

The ornamental design for a wrist watch strap, as shown.

DESCRIPTION

FIG. 1 is an enlarged scale front, left side, bottom perspective view of a wrist watch strap showing our new design; FIG. 2 is a front elevational view thereof; FIG. 3 is a rear elevational view thereof; FIG. 4 is a left side view thereof; FIG. 5 is a right side view thereof; FIG. 6 is a top plan view thereof; and, FIG. 7 is a bottom plan view thereof.

1 Claim, 3 Drawing Sheets



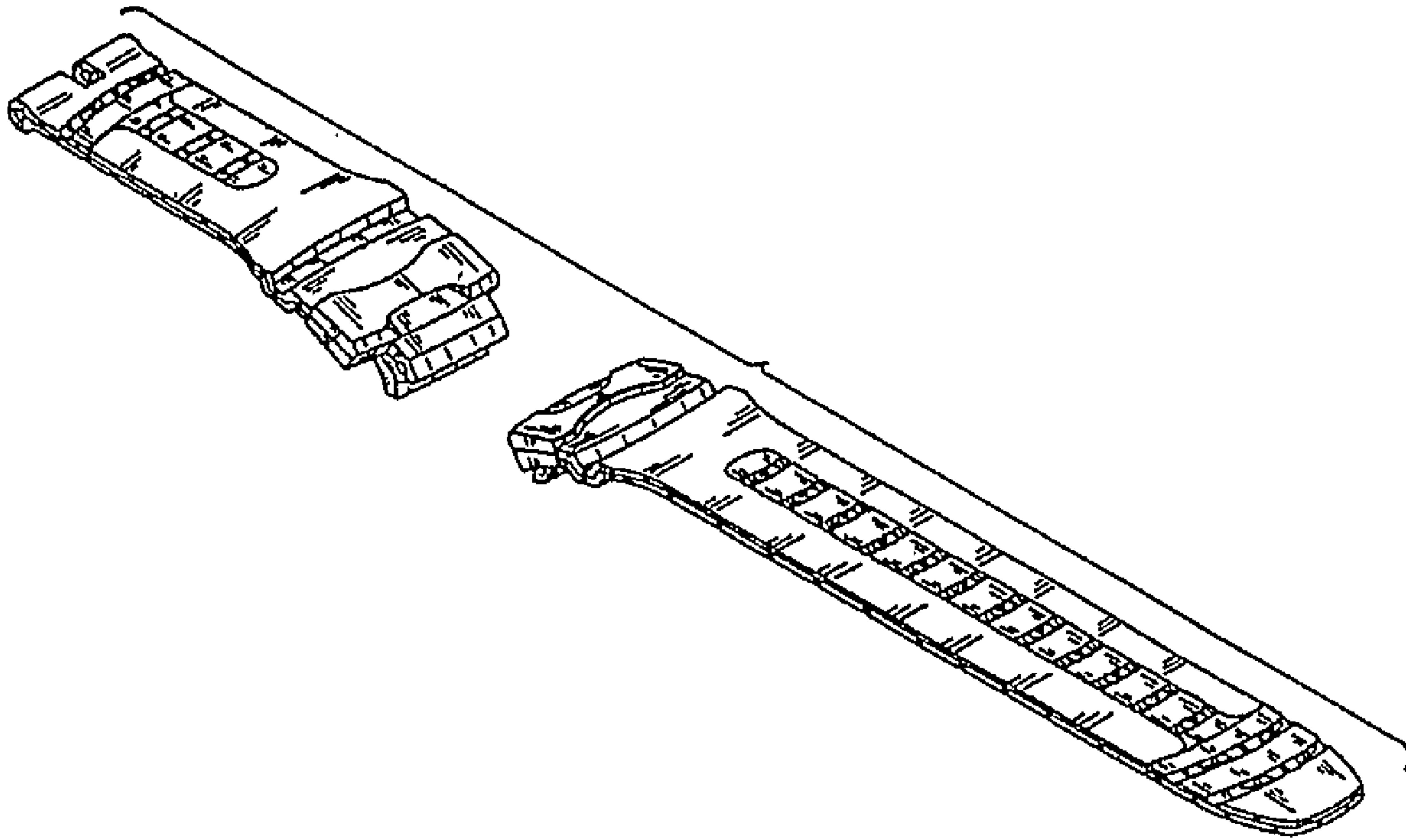


FIG. 1

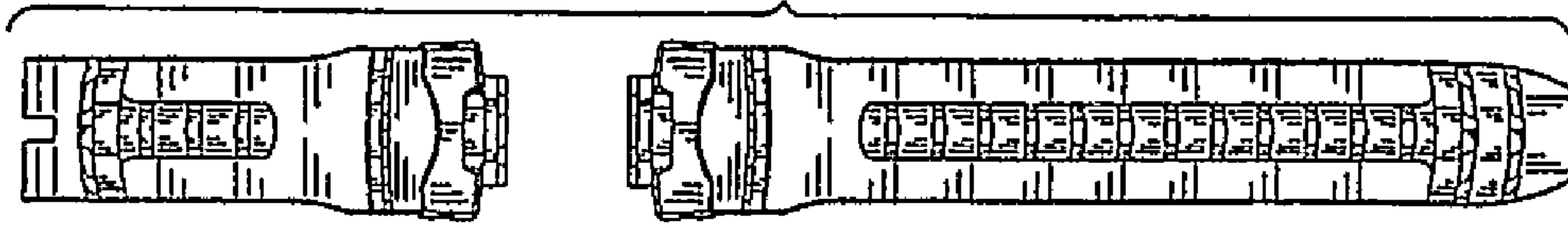


FIG. 2

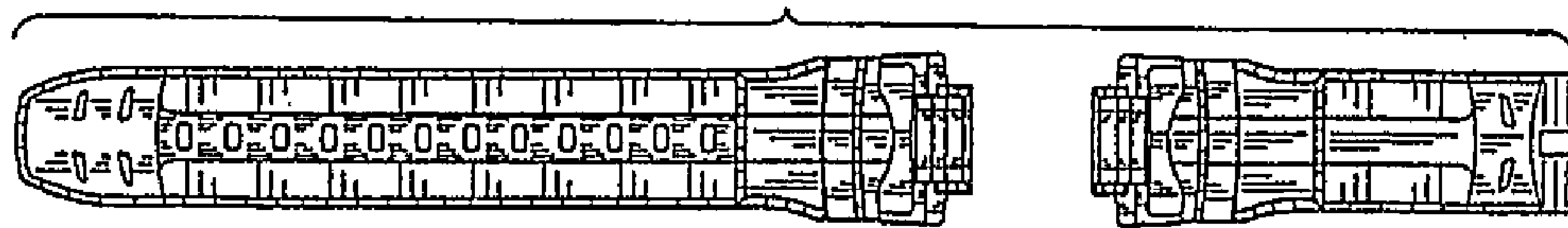


FIG. 3



FIG. 4

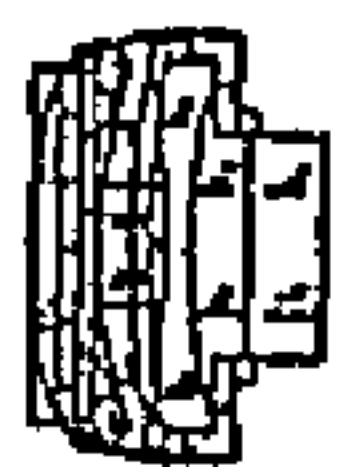


FIG. 5

U.S. Patent

Jun. 13, 2006

Sheet 3 of 3

D522,900 S

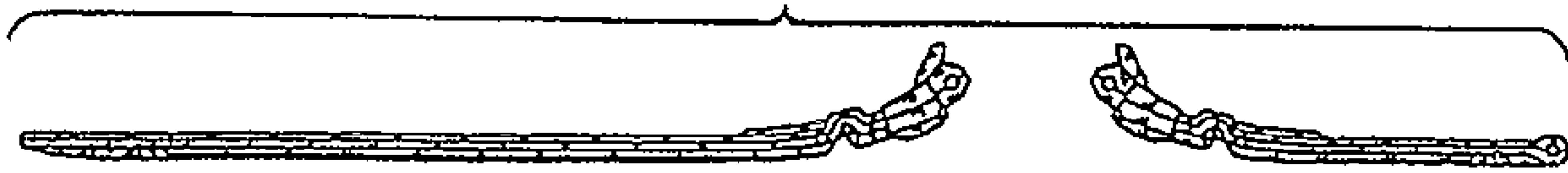


FIG. 6

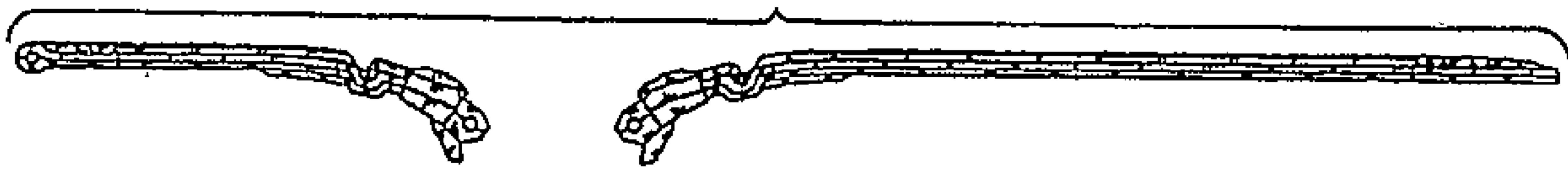


FIG. 7