

US00D522896S

(12) **United States Design Patent**
Okuda et al.

(10) **Patent No.:** **US D522,896 S**
(45) **Date of Patent:** **** Jun. 13, 2006**

(54) **SPEEDOMETER FOR A BICYCLE**

D486,410 S 2/2004 Ueda D10/98
D499,973 S * 12/2004 Okuda et al. D10/98
D499,974 S * 12/2004 Okuda et al. D10/98

(75) Inventors: **Yoji Okuda**, Tondabayashi (JP);
Toshiyuki Nagano, Izumisano (JP)

FOREIGN PATENT DOCUMENTS

(73) Assignee: **Cateye Co., Ltd.**, Osaka (JP)

JP 1178726 7/2003

(**) Term: **14 Years**

* cited by examiner

(21) Appl. No.: **29/223,509**

Primary Examiner—Antoine D. Davis

(22) Filed: **Feb. 15, 2005**

(74) *Attorney, Agent, or Firm*—Olson & Hierl, Ltd.

(30) **Foreign Application Priority Data**

(57) **CLAIM**

Aug. 30, 2004 (JP) 2004-025892

The ornamental design for a speedometer for a bicycle, as shown.

(51) **LOC (8) Cl.** **10-04**

DESCRIPTION

(52) **U.S. Cl.** **D10/98**

(58) **Field of Classification Search** D10/98;
73/490, 493, 514.39, 527; 235/95 R; 324/160–180,
324/207.13, 207.22, 207.25; 340/432; 702/145–148
See application file for complete search history.

FIG. 1 is a perspective view of a speedometer for a bicycle showing our new design;

FIG. 2 is a front view thereof;

FIG. 3 is a rear view thereof;

FIG. 4 is a top plan view thereof;

FIG. 5 is a bottom plan view thereof;

FIG. 6 is a right side view thereof; and,

FIG. 7 is a left side view thereof.

(56) **References Cited**

U.S. PATENT DOCUMENTS

D401,522 S * 11/1998 Ueda et al. D10/98

1 Claim, 3 Drawing Sheets

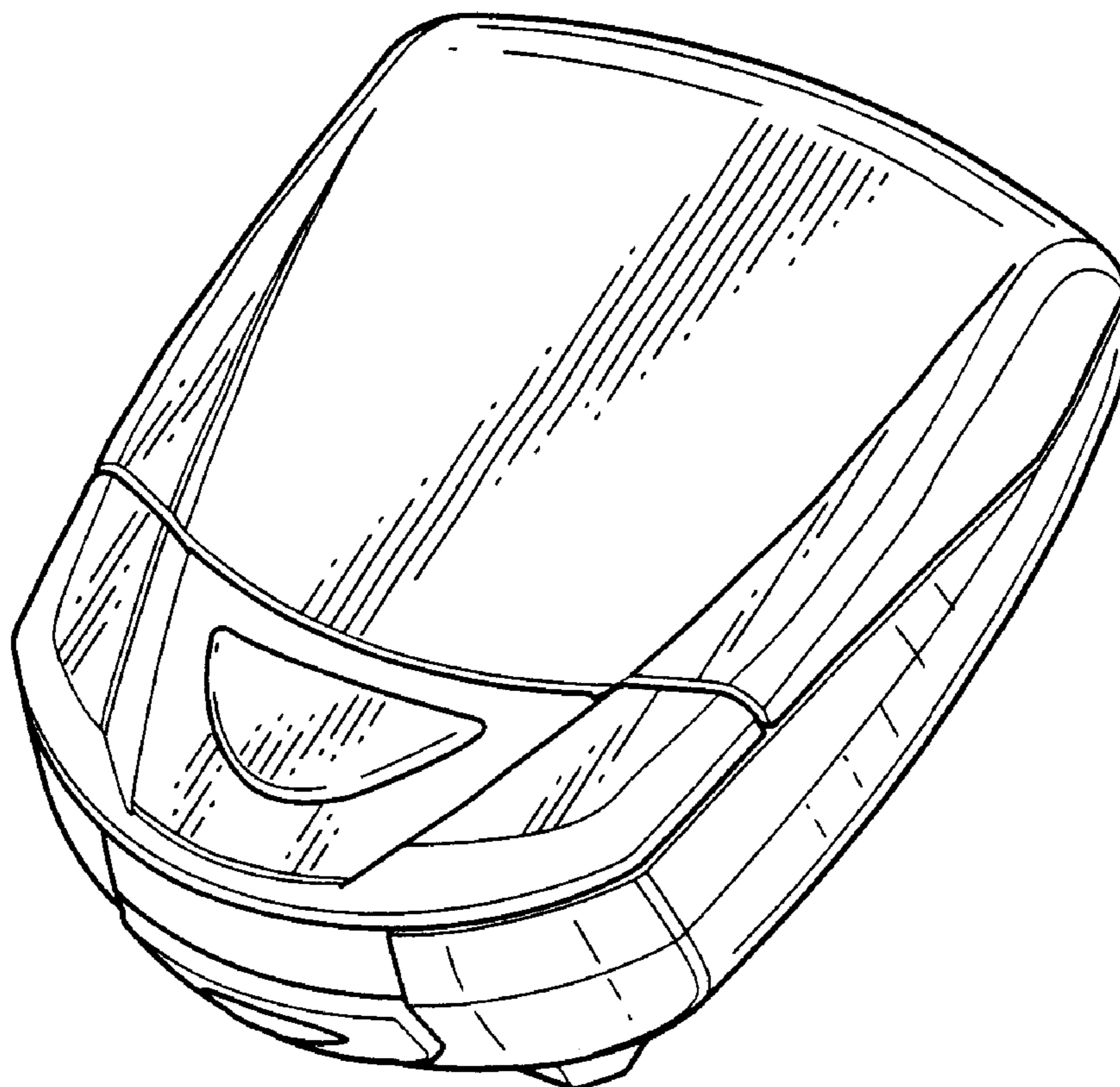


FIG. 1

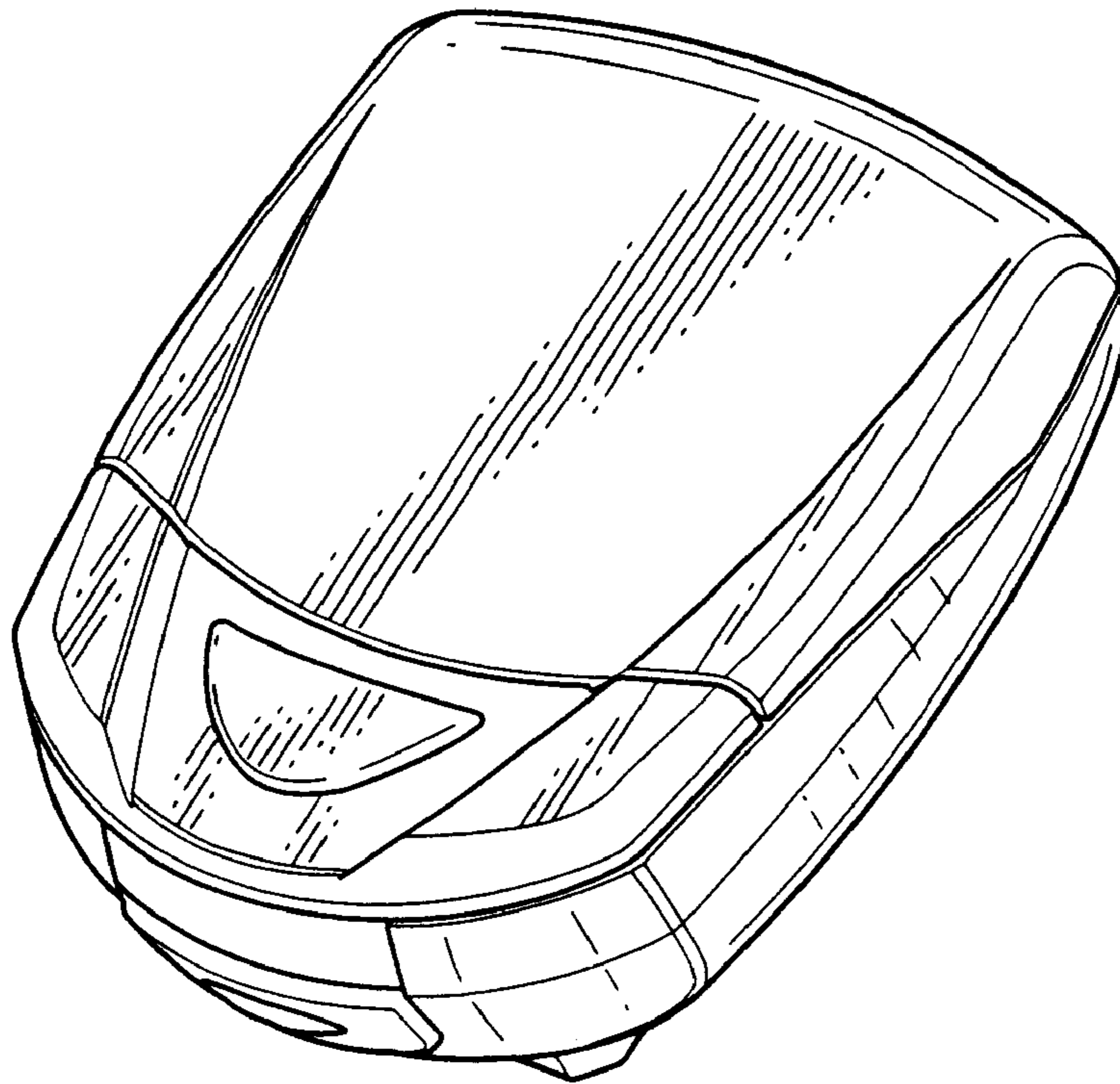


FIG. 2

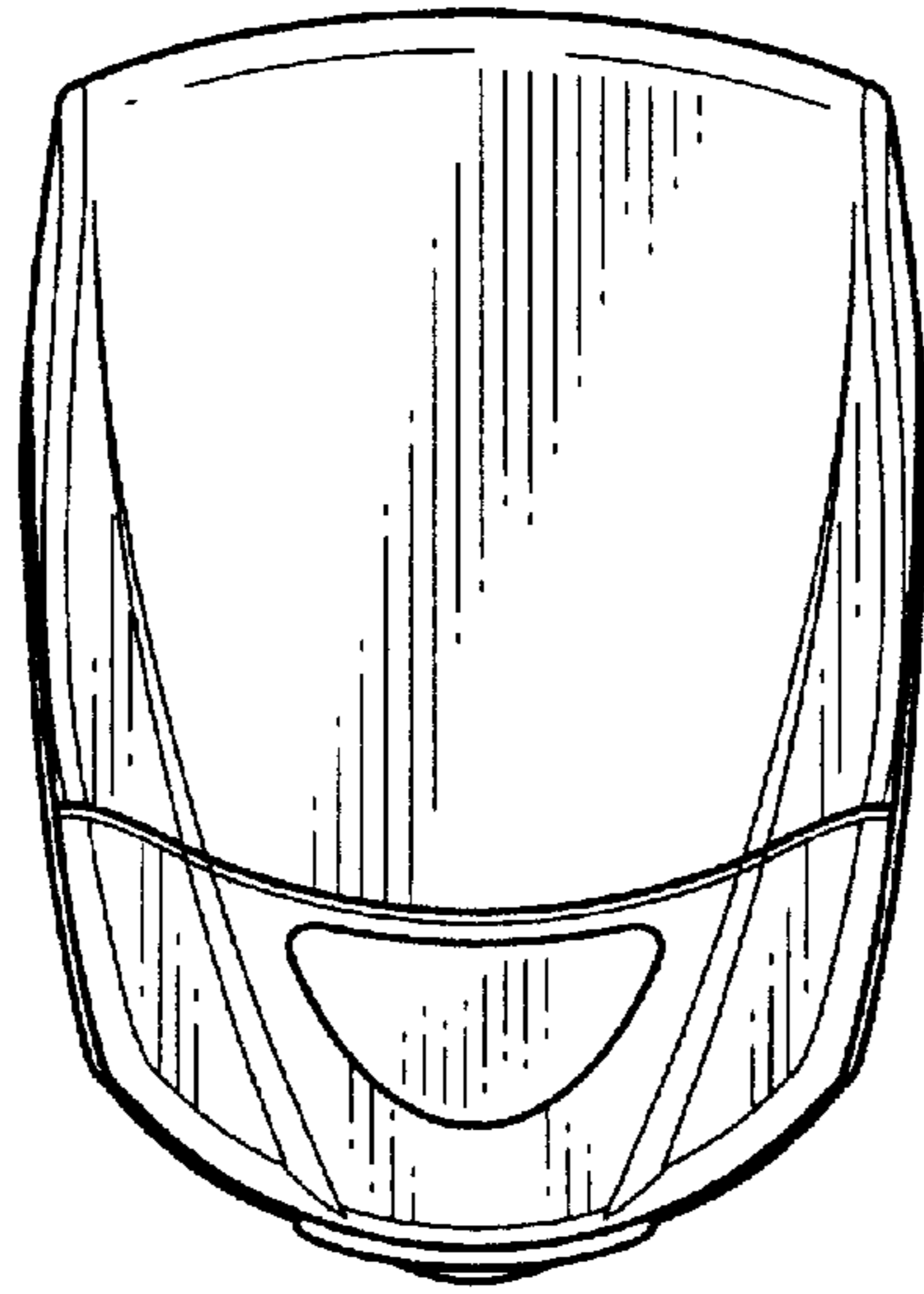


FIG. 3

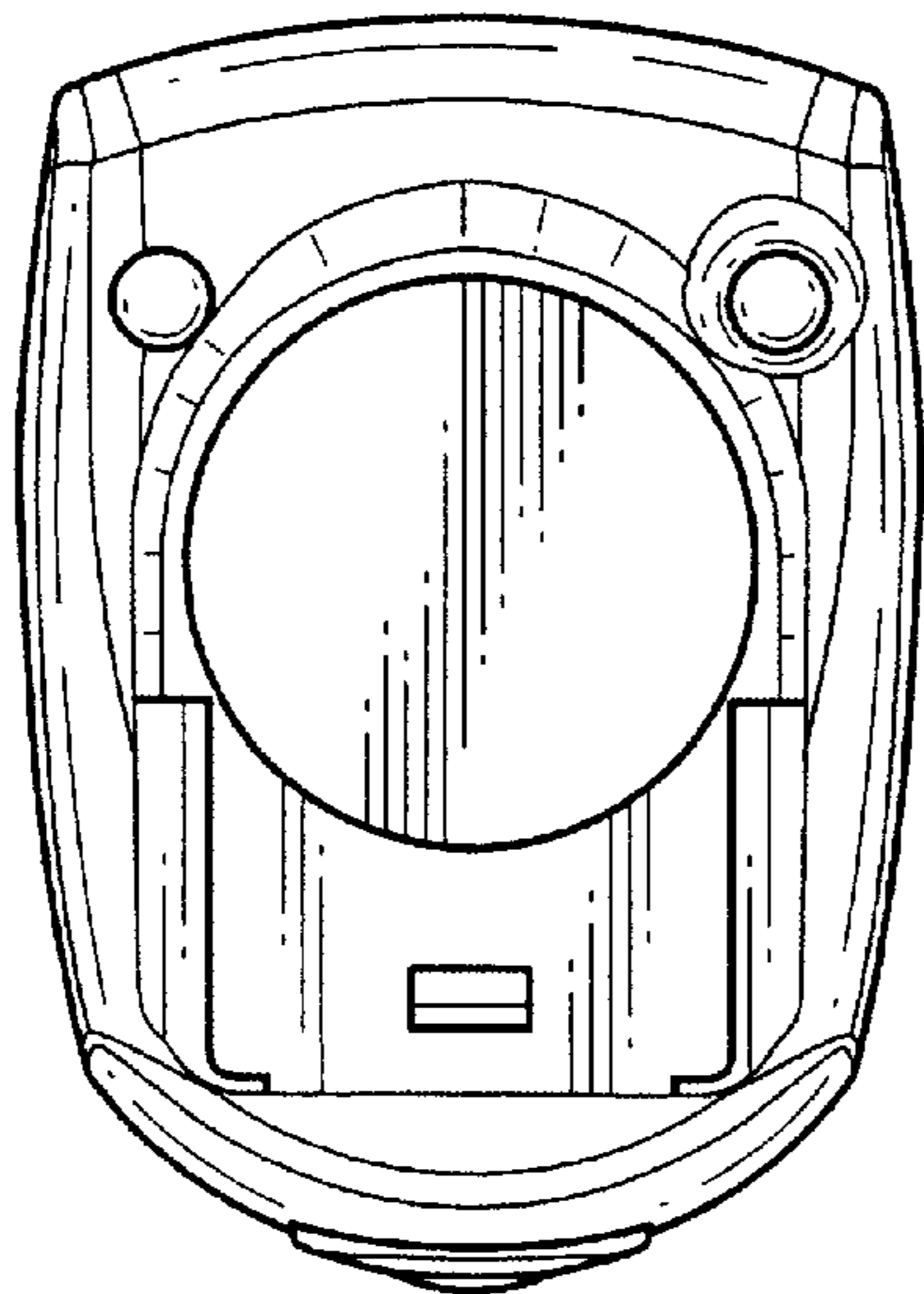


FIG. 4

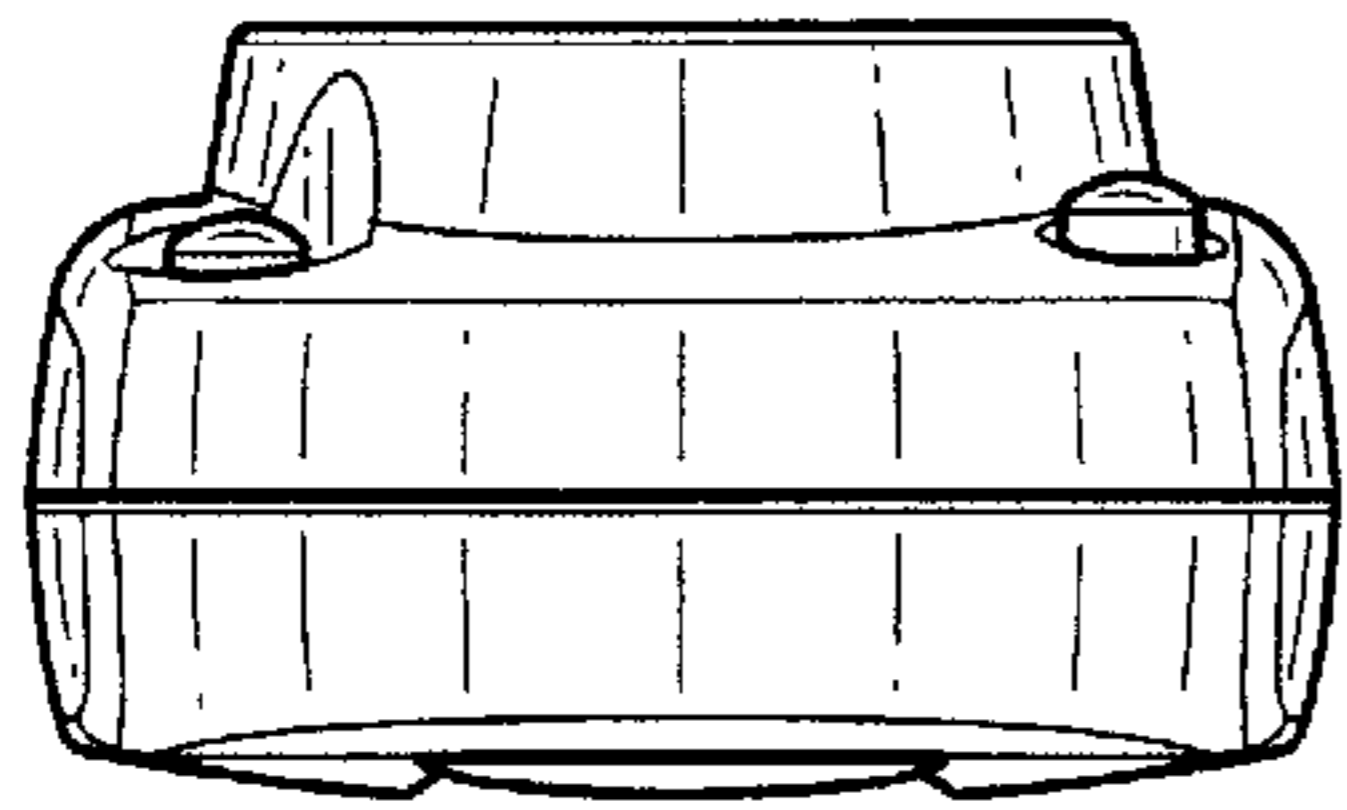


FIG. 5

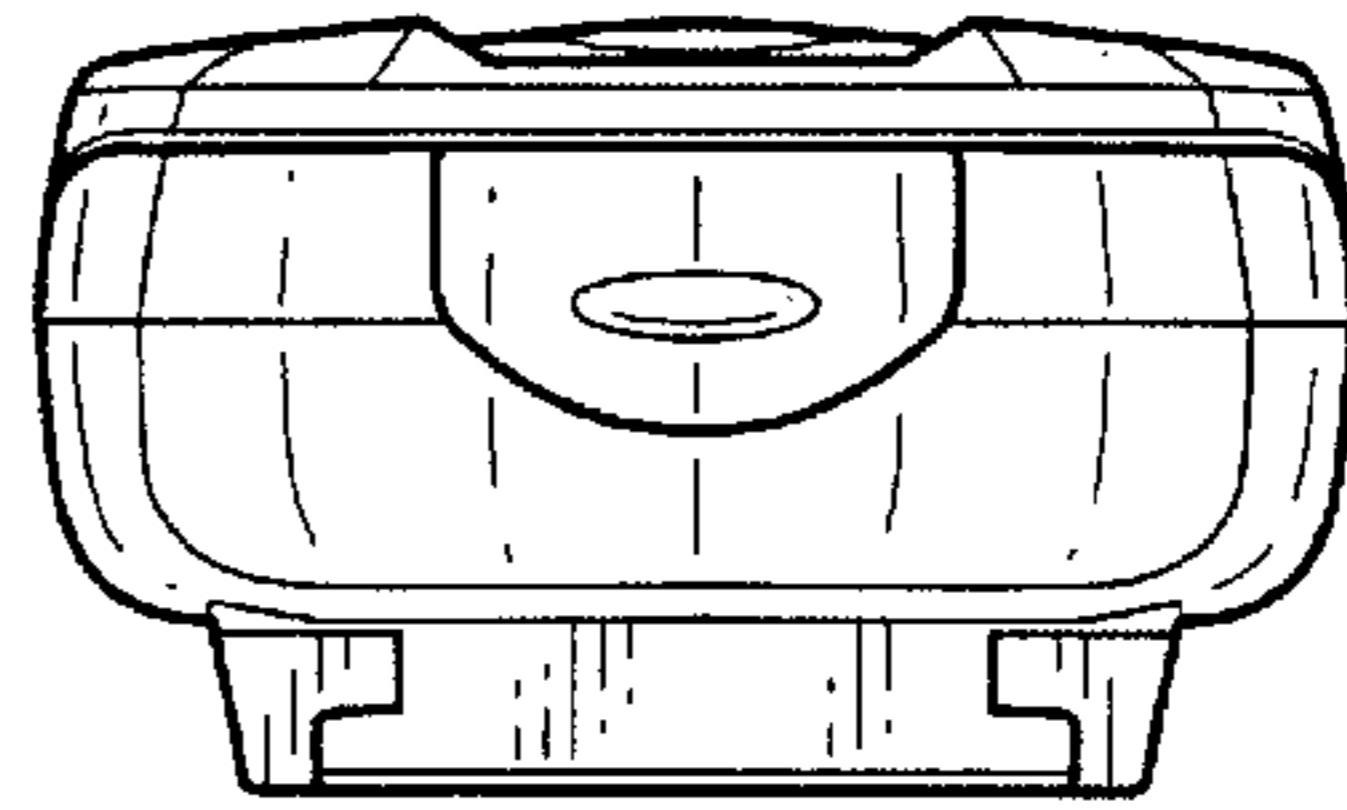


FIG. 6

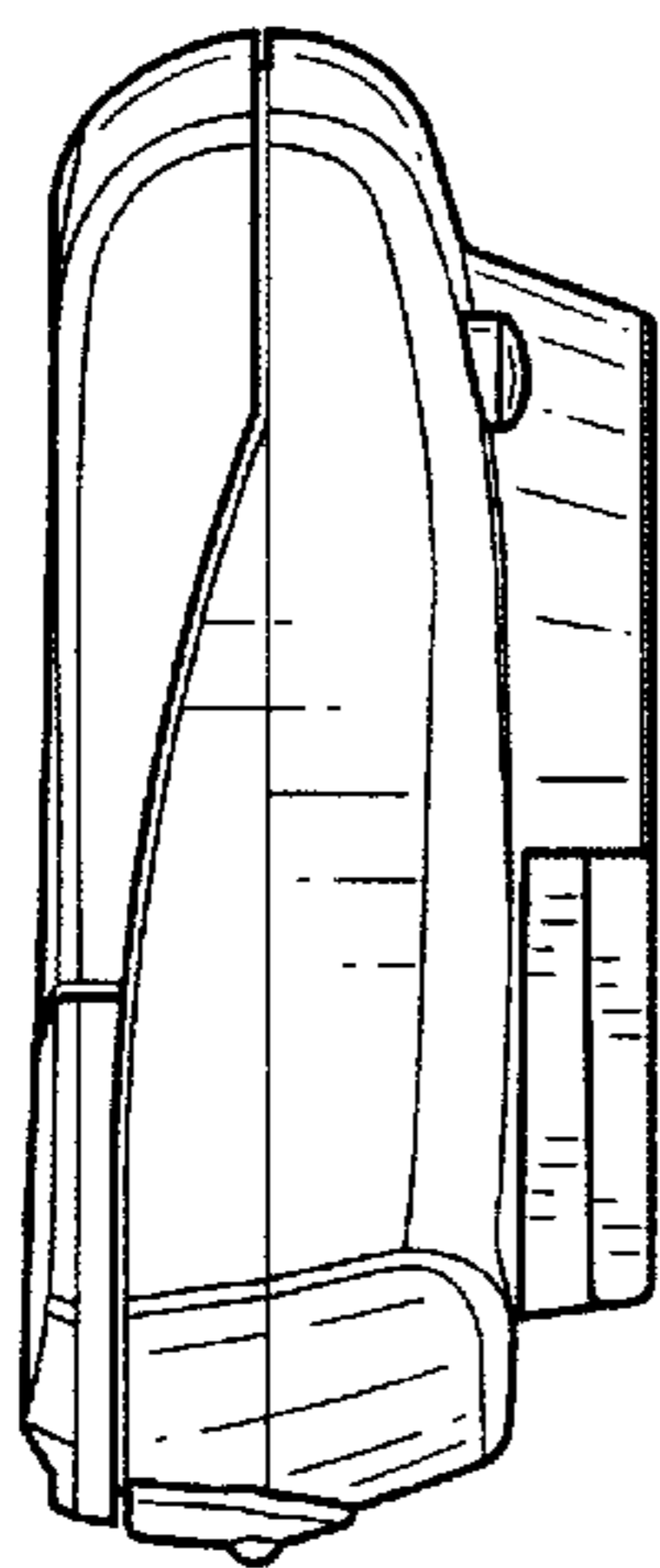


FIG. 7

