



US00D522895S

(12) **United States Design Patent**  
**Petrucelli**

(10) **Patent No.:** **US D522,895 S**

(45) **Date of Patent:** **\*\* Jun. 13, 2006**

(54) **BATHROOM SCALE CLOCK**

D416,809 S \* 11/1999 Ragland ..... D10/22

(75) Inventor: **Steven Petrucelli**, Cranbury, NJ (US)

\* cited by examiner

(73) Assignee: **Measurement Ltd.**

*Primary Examiner*—Antoine D. Davis

(\*\*) Term: **14 Years**

(74) *Attorney, Agent, or Firm*—Plevy, Howard & Darcy, PC

(21) Appl. No.: **29/233,059**

(57) **CLAIM**

(22) Filed: **Jun. 27, 2005**

The ornamental design for a bathroom scale clock, as shown and described.

**Related U.S. Application Data**

**DESCRIPTION**

(62) Division of application No. 29/196,107, filed on Dec. 22, 2003, now Pat. No. Des. 510,280.

FIG. 1 is a perspective plan view of the bathroom scale clock design according to one embodiment of the present invention;

(51) **LOC (8) Cl.** ..... **10-04**

FIG. 2 is a top plan view thereof;

(52) **U.S. Cl.** ..... **D10/92; D10/22**

FIG. 3 is a front view thereof, the rear and the side views being the same;

(58) **Field of Classification Search** ..... D10/2,  
D10/6, 22, 92; 177/238–243; 368/280, 285  
See application file for complete search history.

FIG. 4 is a perspective plan view of the bathroom scale clock design according to another embodiment of the present invention;

(56) **References Cited**

FIG. 5 is a top plan view thereof; and,

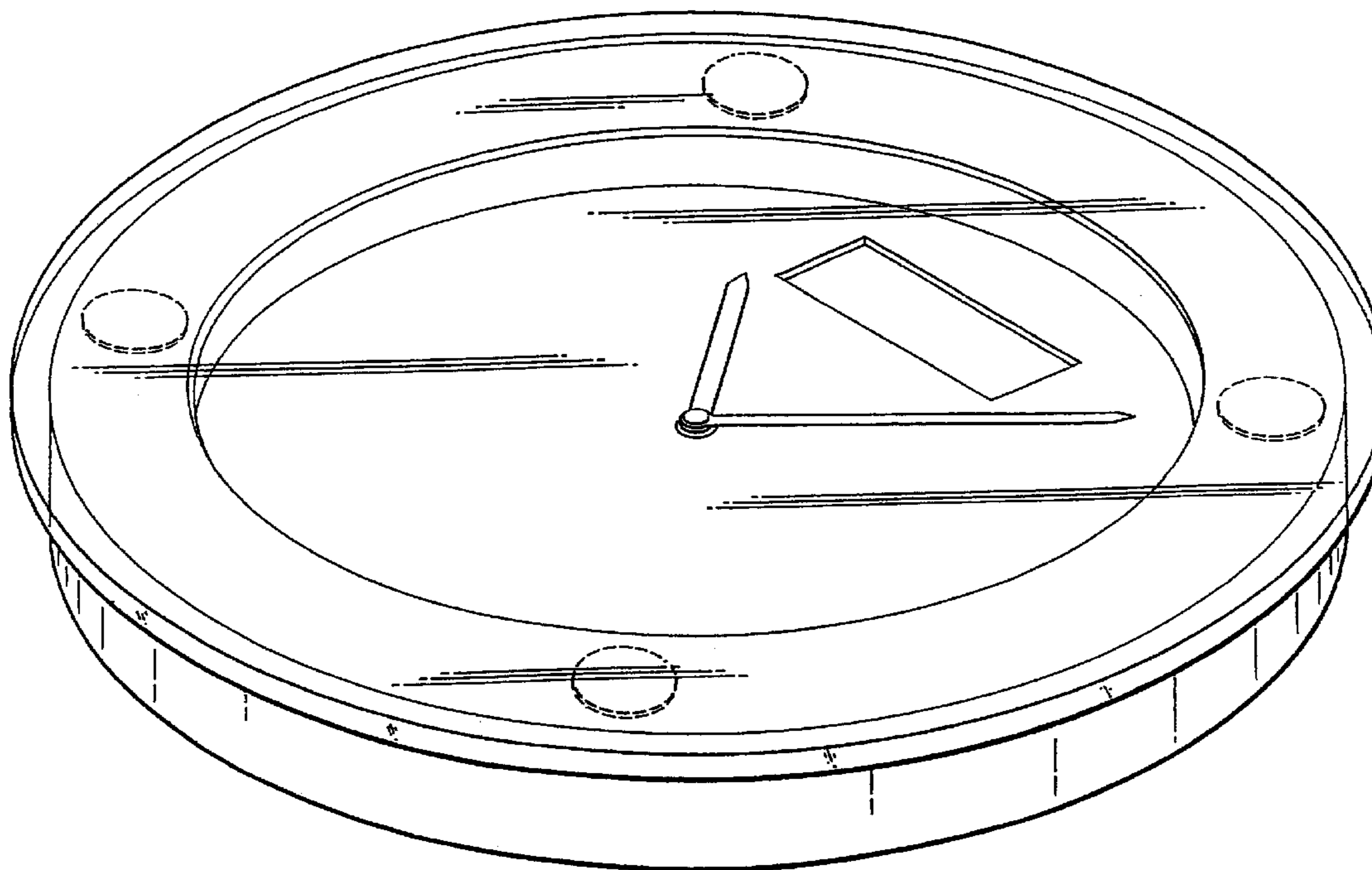
**U.S. PATENT DOCUMENTS**

FIG. 6 is a front view thereof, the rear and side views being the same.

3,670,428 A \* 6/1972 Hall ..... 434/304  
D334,347 S \* 3/1993 White ..... D10/22  
D405,470 S \* 2/1999 Messina ..... D10/22

The broken lines shown are for illustrative purposes only and forms no part of the claimed design.

**1 Claim, 4 Drawing Sheets**



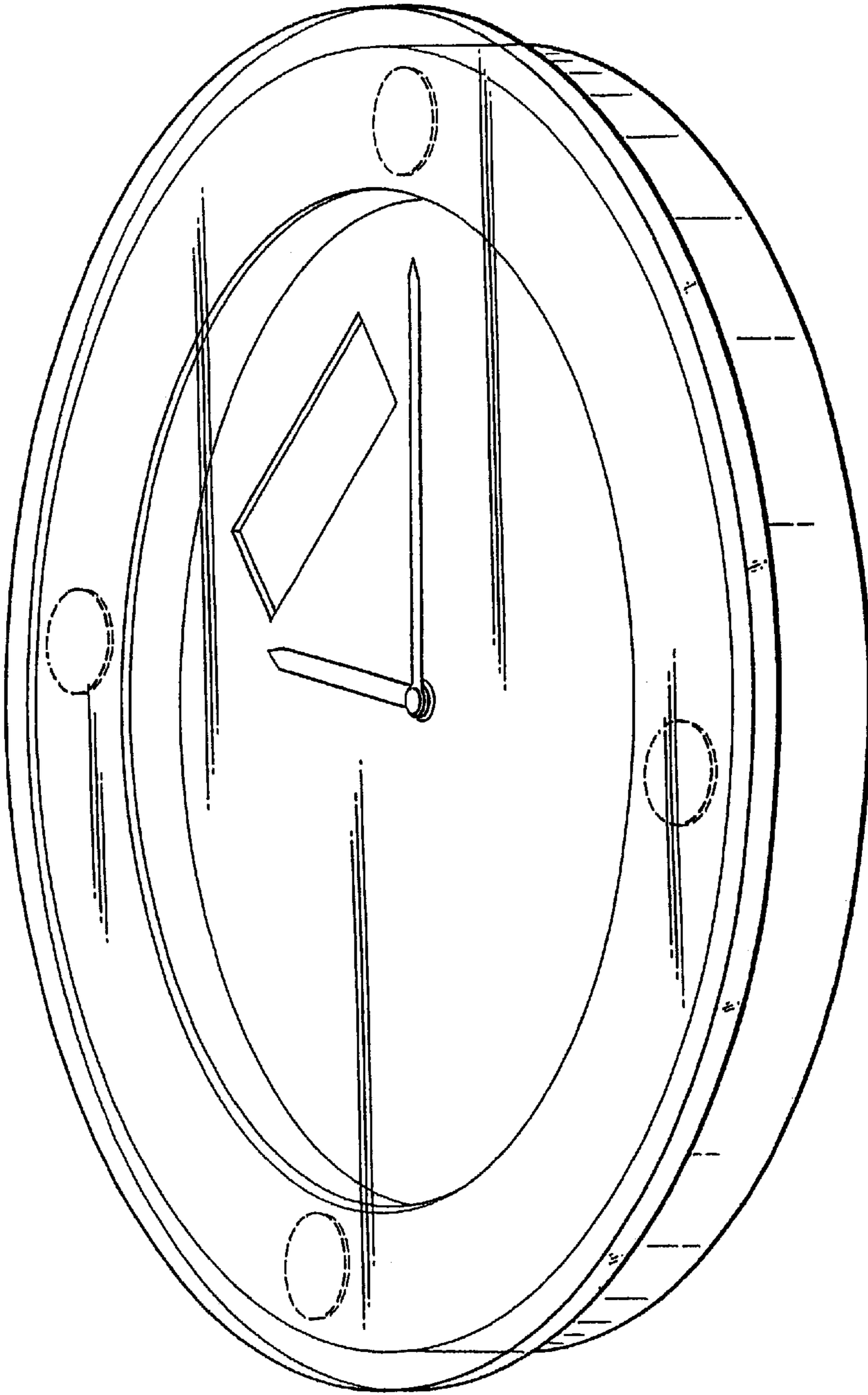


FIG. 1

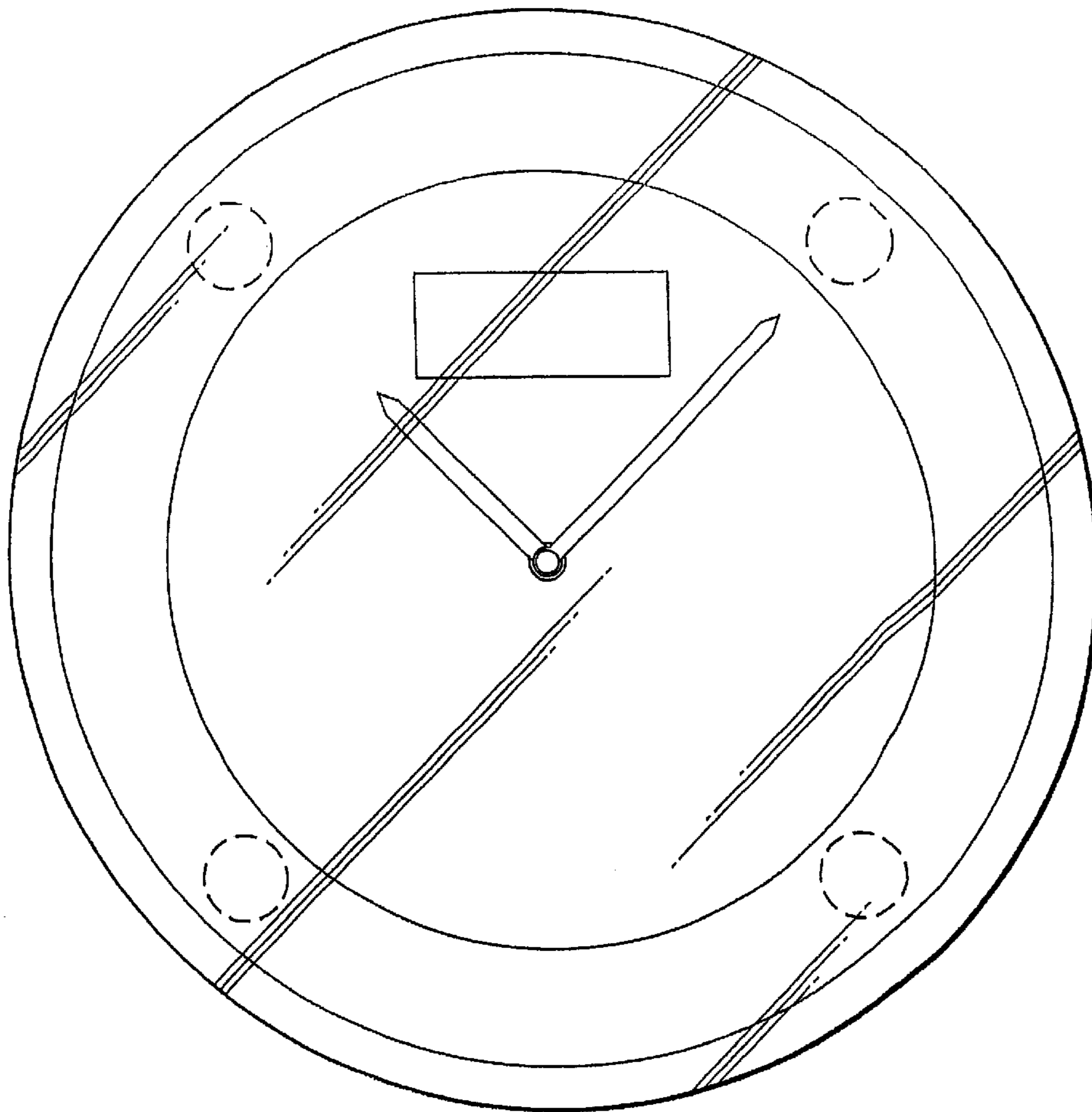


FIG. 2

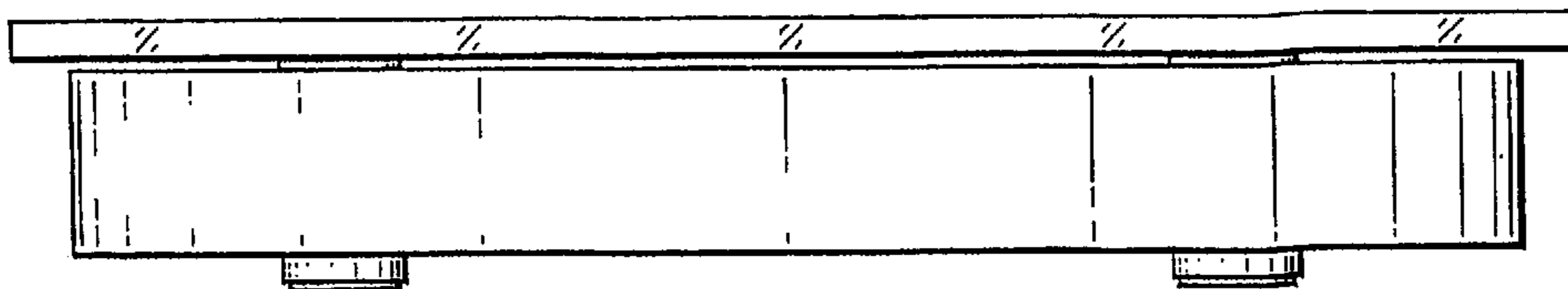


FIG. 3

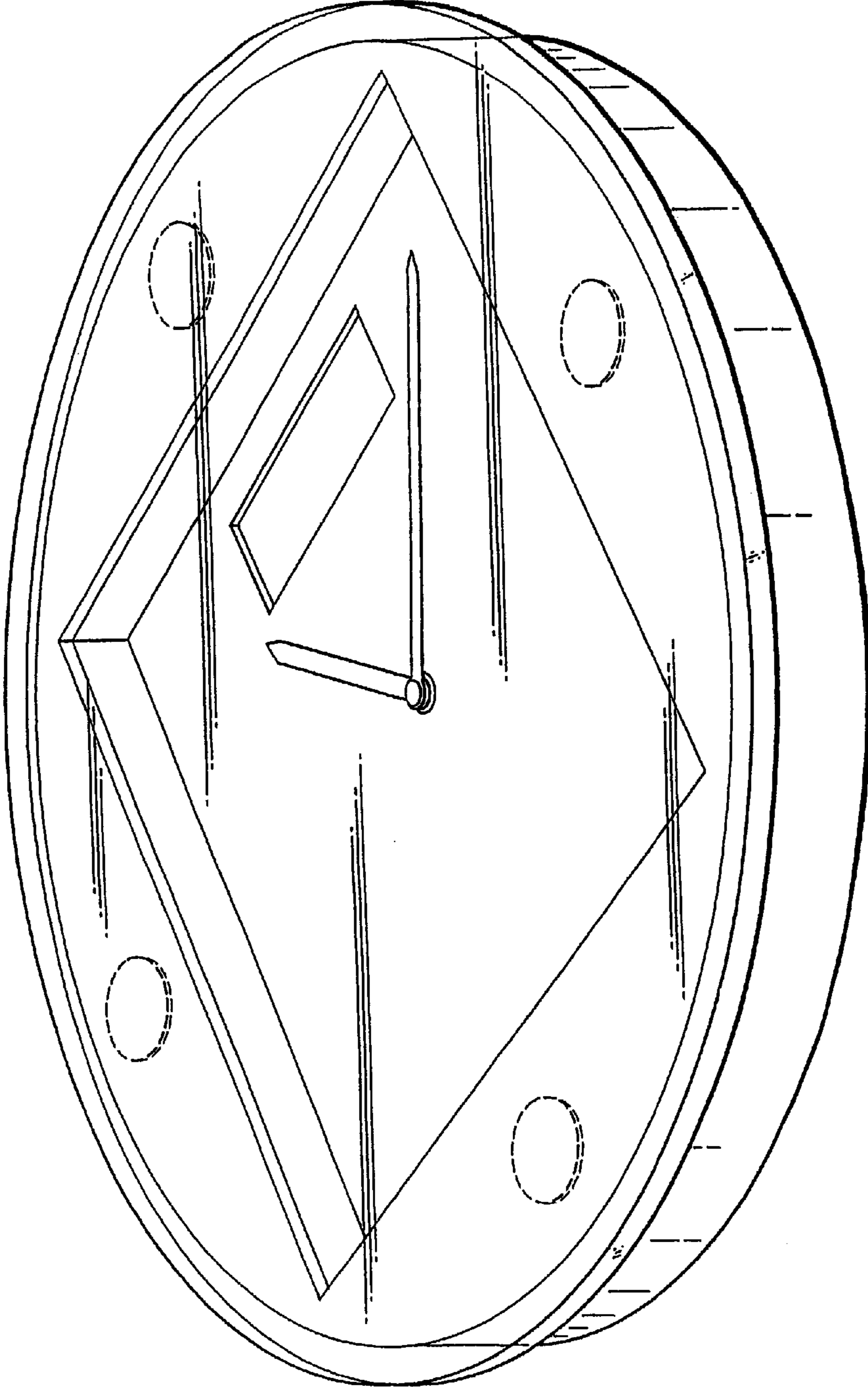


FIG. 4

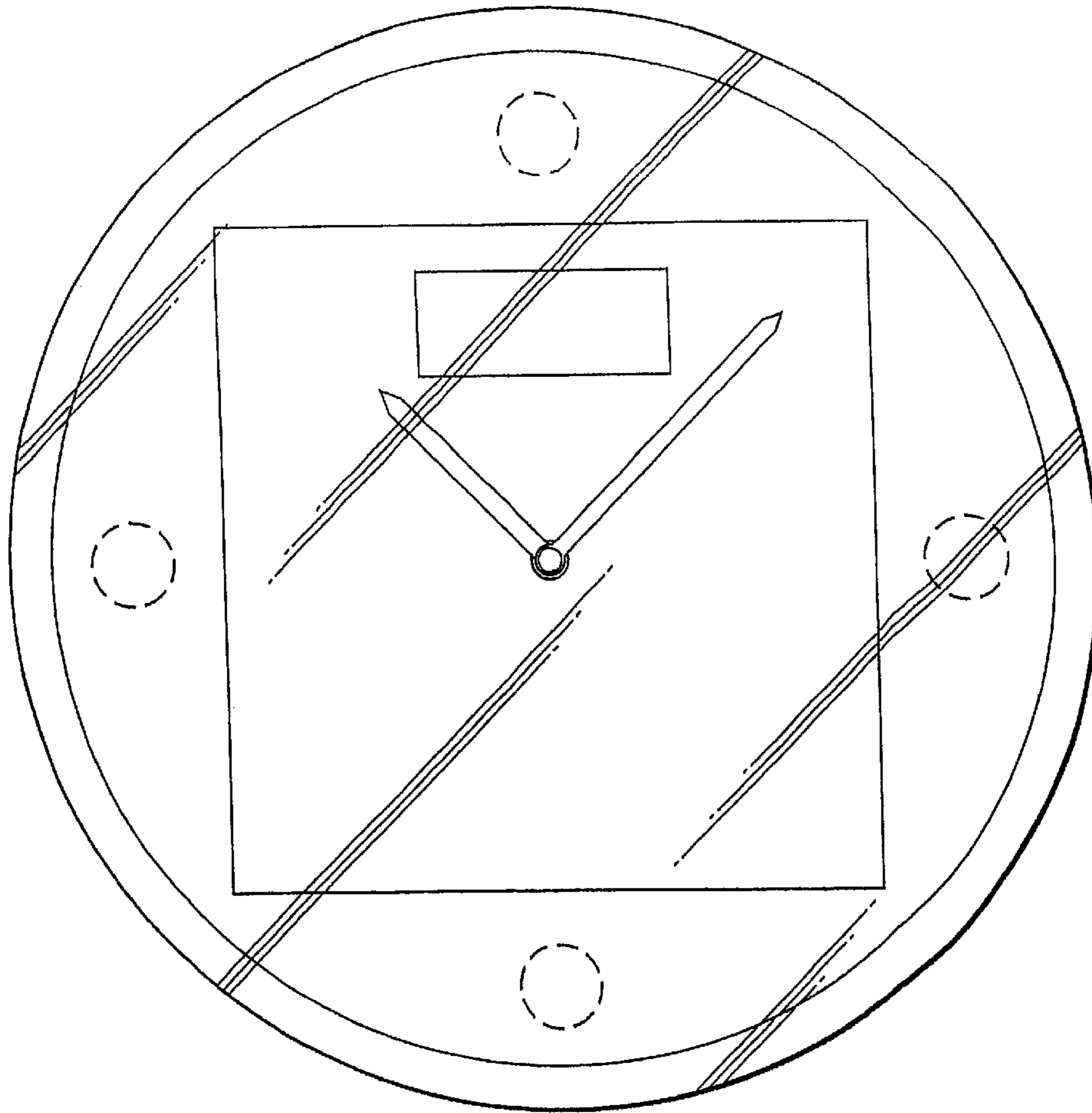


FIG. 5

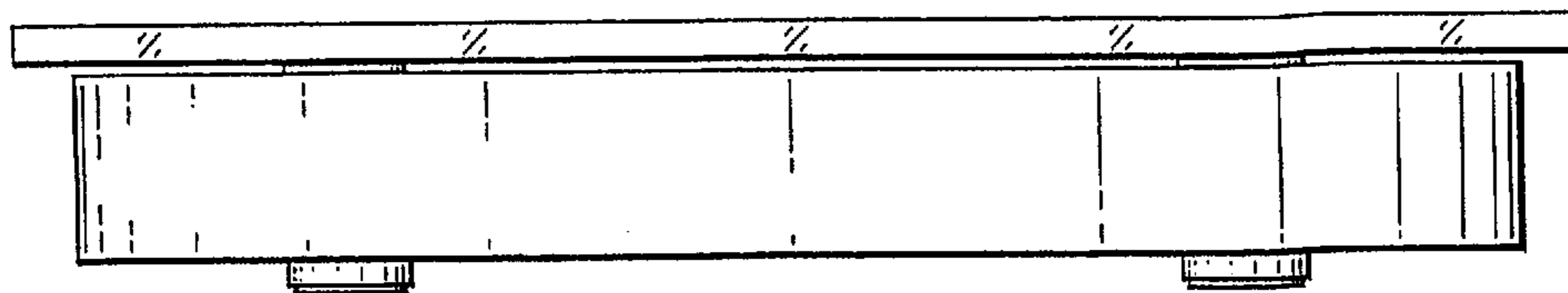


FIG. 6