



US00D522892S

(12) **United States Design Patent**
Reymond

(10) **Patent No.:** **US D522,892 S**
(45) **Date of Patent:** **** Jun. 13, 2006**

(54) **SLIDE CALIPER**

(75) Inventor: **Jean-Claude Reymond,**
Chavannes-près-Renens (CH)

(73) Assignee: **TESA SA,** Renens (CH)

(**) Term: **14 Years**

(21) Appl. No.: **29/214,049**

(22) Filed: **Sep. 27, 2004**

(30) **Foreign Application Priority Data**

Mar. 26, 2004 (CH) 130445

(51) **LOC (8) Cl.** **10-04**

(52) **U.S. Cl.** **D10/73**

(58) **Field of Classification Search** D10/73;
33/783-832, DIG. 12

See application file for complete search history.

(56) **References Cited**

U.S. PATENT DOCUMENTS

- D313,562 S * 1/1991 Meyer D10/73
- D334,719 S * 4/1993 Yeo D10/73
- 5,477,621 A * 12/1995 Koizumi et al. 33/784
- D377,912 S * 2/1997 Walser D10/73
- D386,994 S * 12/1997 Reymond D10/73
- D387,690 S 12/1997 Reymond

- 5,722,179 A 3/1998 Zanier
- D401,170 S 11/1998 Reymond
- 6,072,318 A 6/2000 Jordil
- D444,083 S * 6/2001 Ohtani et al. D10/73
- D449,547 S 10/2001 Reymond
- 6,724,186 B1 * 4/2004 Jordil 33/708

* cited by examiner

Primary Examiner—Antoine D. Davis

(74) *Attorney, Agent, or Firm*—Pearne & Gordon LLP

(57) **CLAIM**

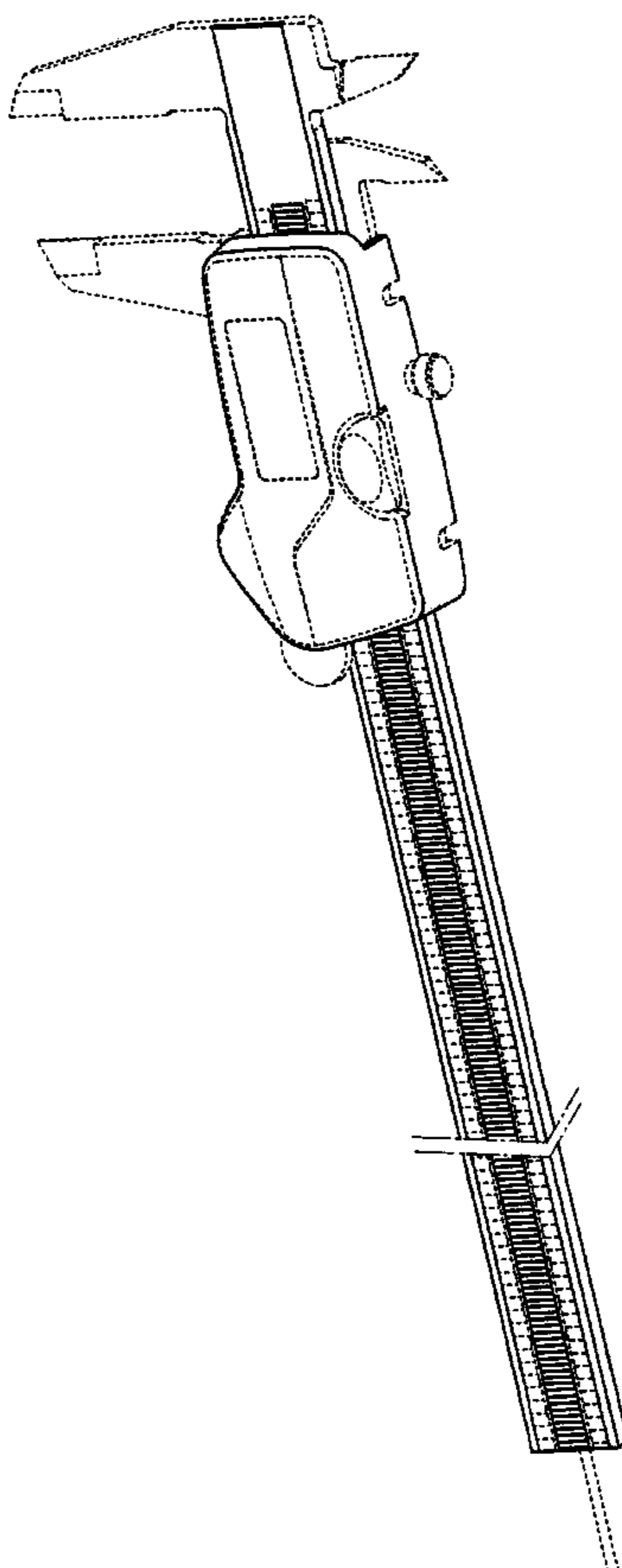
The ornamental design for a slide caliper, as shown and described.

DESCRIPTION

FIG. 1 is a perspective view of my new slide caliper;
FIG. 2 is a top view of FIG. 1;
FIG. 3 is a bottom view of FIG. 1;
FIG. 4 is a right side view of FIG. 1;
FIG. 5 is a left side view of FIG. 1;
FIG. 6 is a front view of FIG. 1; and,
FIG. 7 is a back view of FIG. 1.

The parts shown in broken lines are shown for environmental purposes only and form no part of the claimed design. Portions of the slide caliper are not shown for ease of illustration and to illustrate an indeterminate length.

1 Claim, 7 Drawing Sheets



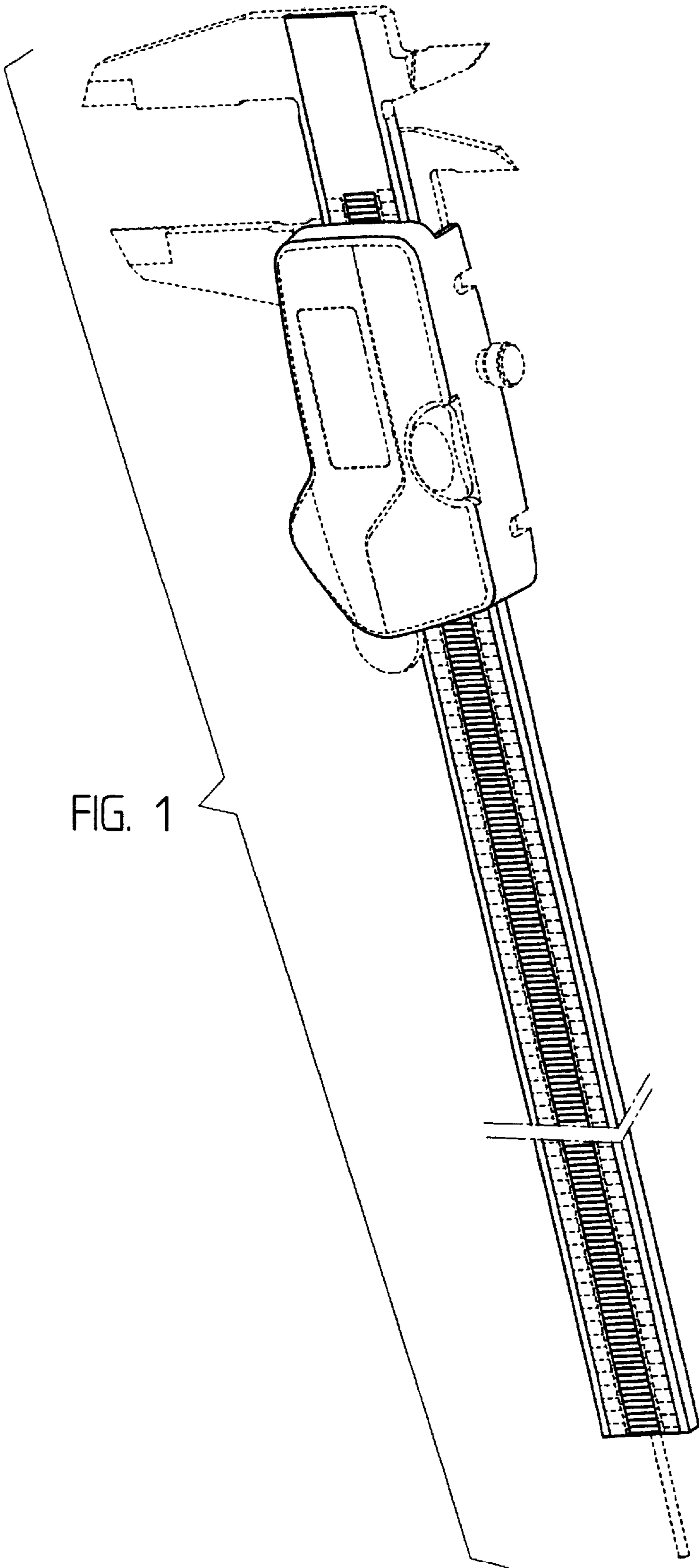
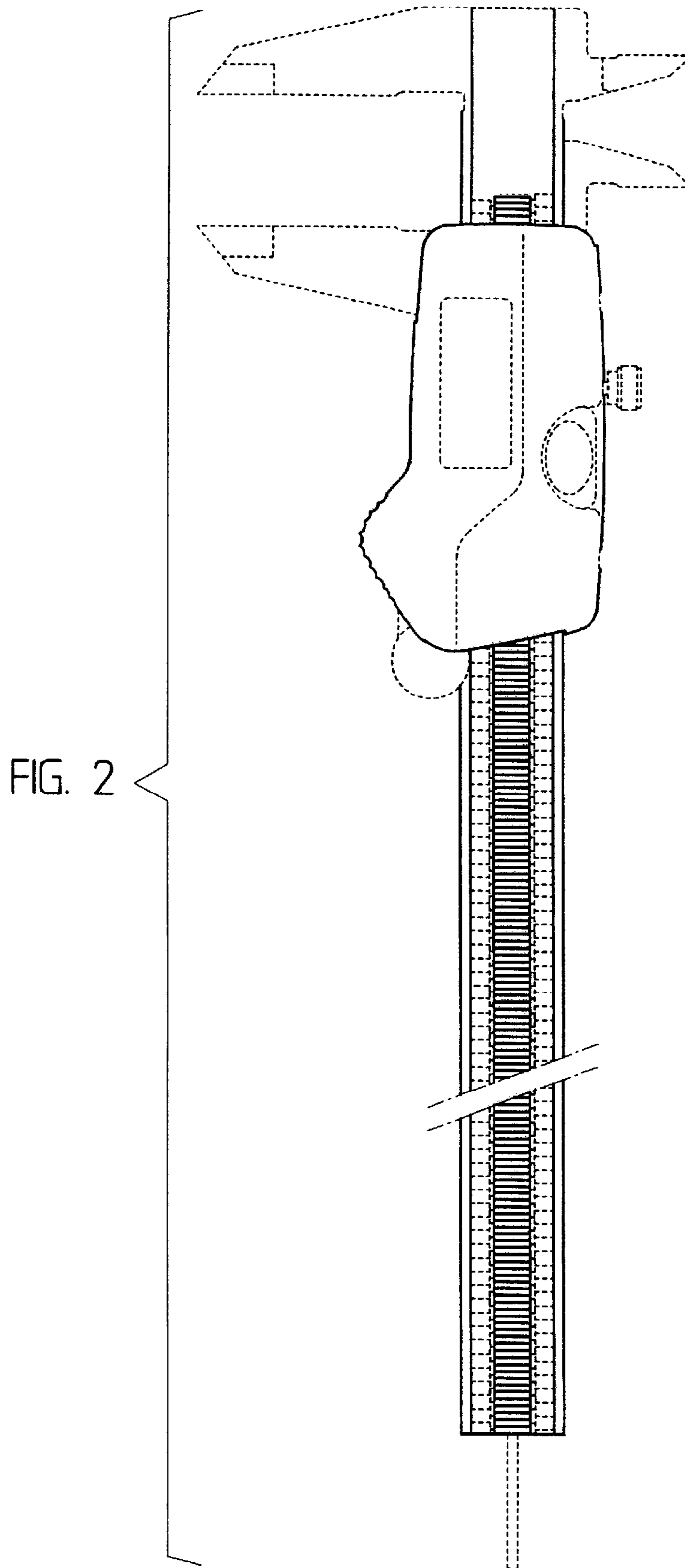


FIG. 1



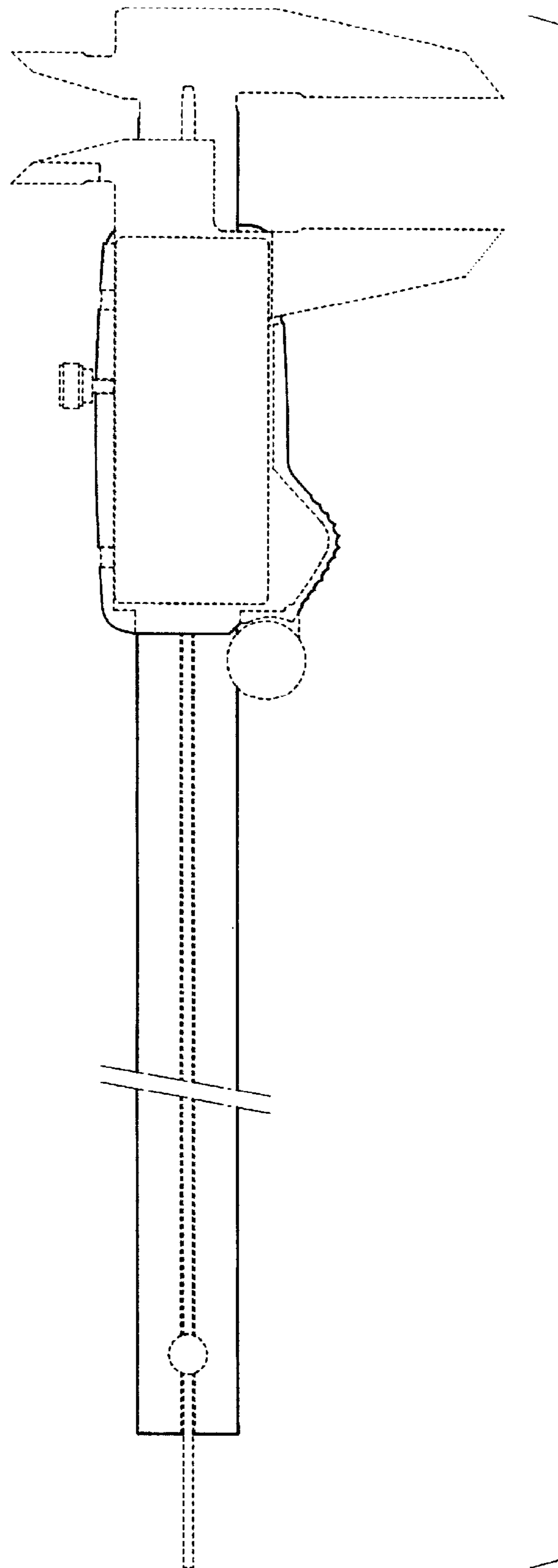
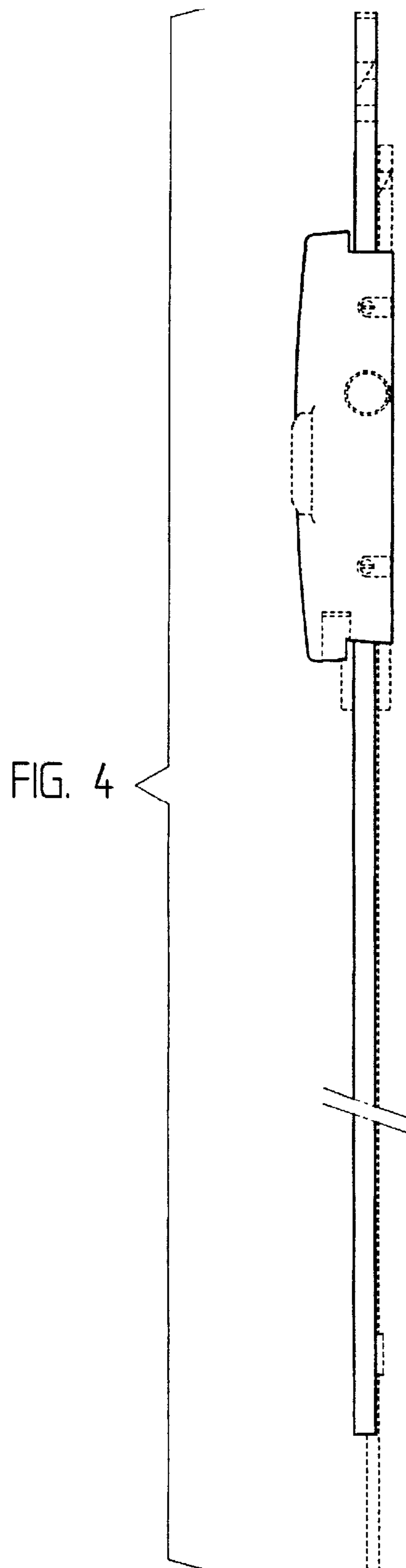


FIG. 3



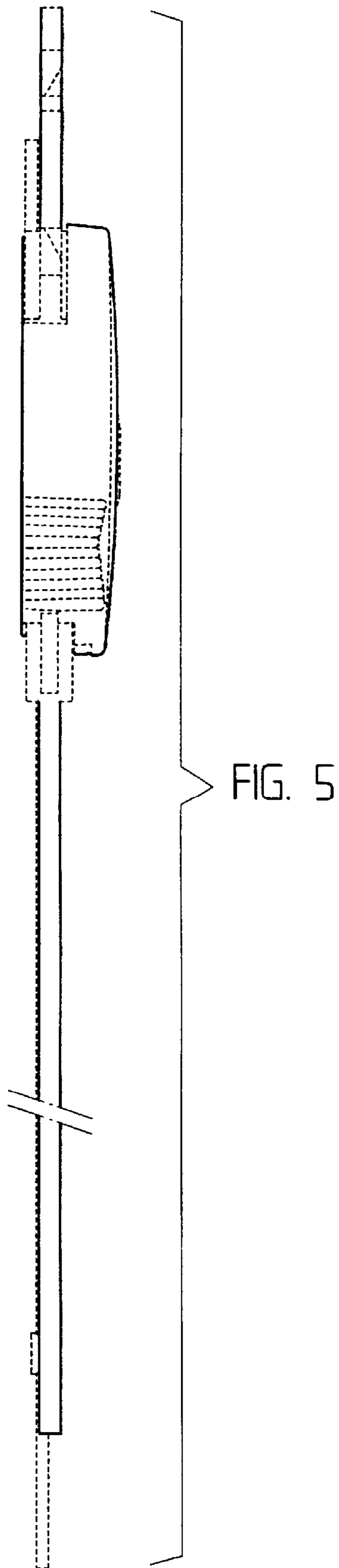
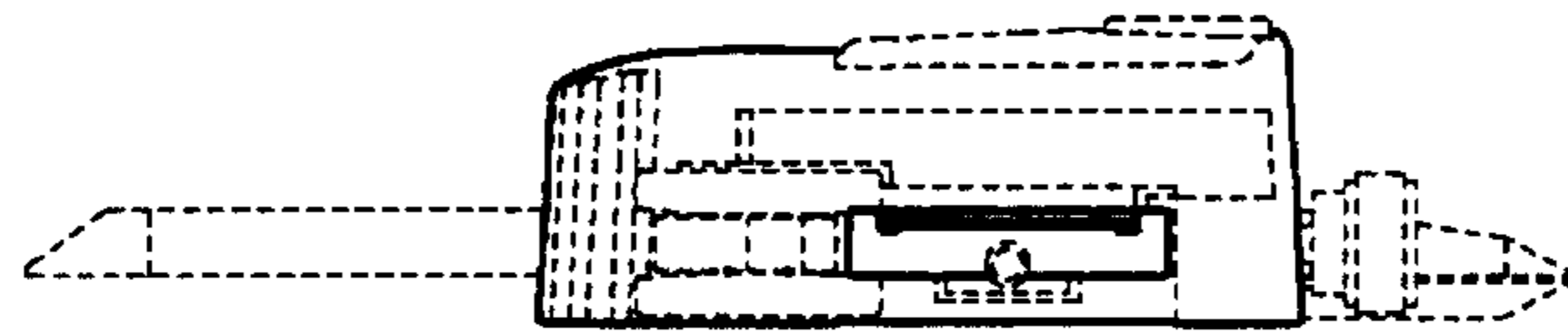


FIG. 6



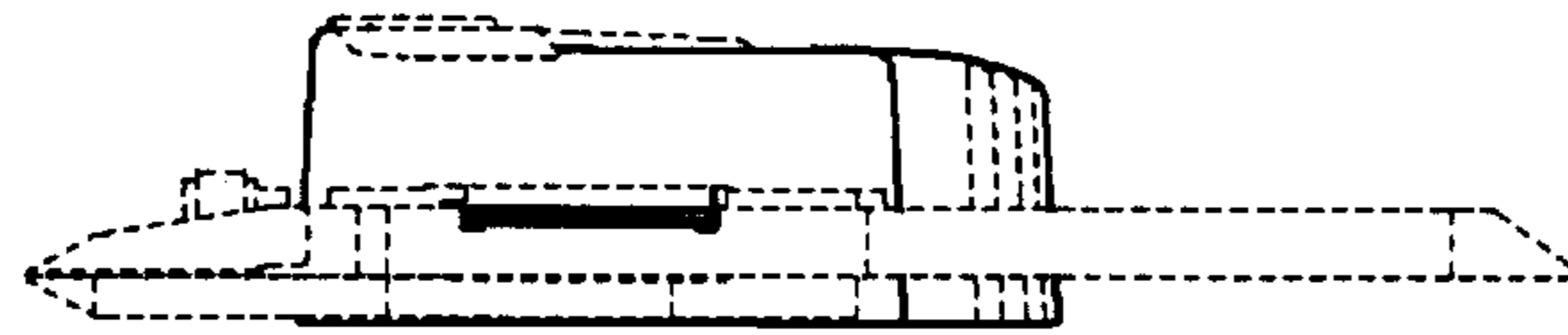


FIG. 7