

US00D522887S

(12) **United States Design Patent**
Hutzler

(10) **Patent No.:** **US D522,887 S**

(45) **Date of Patent:** **** Jun. 13, 2006**

(54) **MEASURING CUP**

D420,870 S * 2/2000 DeCoster D10/46.2
D451,827 S * 12/2001 Winters D10/46.2

(75) Inventor: **Lawrence R. Hutzler**, Lakeville, CT
(US)

* cited by examiner

(73) Assignee: **Hutzler Manufacturing Co., Inc.**,
Canaan, CT (US)

Primary Examiner—Terry A. Wallace
(74) *Attorney, Agent, or Firm*—Michael J. Striker

(**) Term: **14 Years**

(57) **CLAIM**

The ornamental design for a measuring cup, as shown and described.

(21) Appl. No.: **29/229,750**

(22) Filed: **May 11, 2005**

DESCRIPTION

(51) **LOC (8) Cl.** **10-04**

(52) **U.S. Cl.** **D10/46.2**

(58) **Field of Classification Search** D10/46.2,
D10/46.3; 73/426–429

See application file for complete search history.

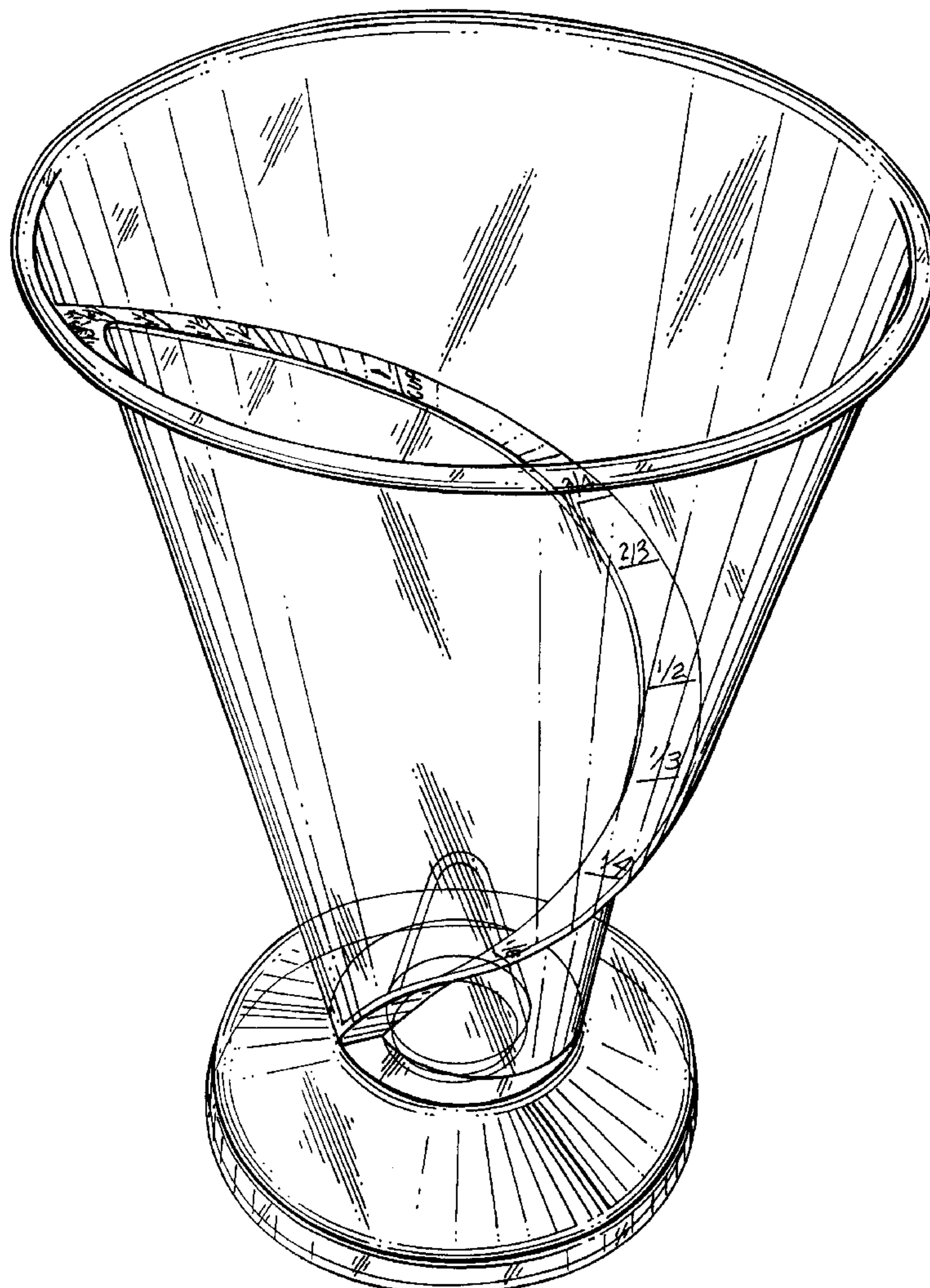
FIG. 1 is a top, front, right side perspective;
FIG. 2 is a top plan view thereof;
FIG. 3 is a front elevational view thereof;
FIG. 4 is a right side elevational view thereof;
FIG. 5 is a left side elevational view thereof;
FIG. 6 is a rear elevational view thereof; and,
FIG. 7 is a bottom plan view thereof.

(56) **References Cited**

U.S. PATENT DOCUMENTS

3,490,290 A * 1/1970 Bilson 73/427

1 Claim, 4 Drawing Sheets



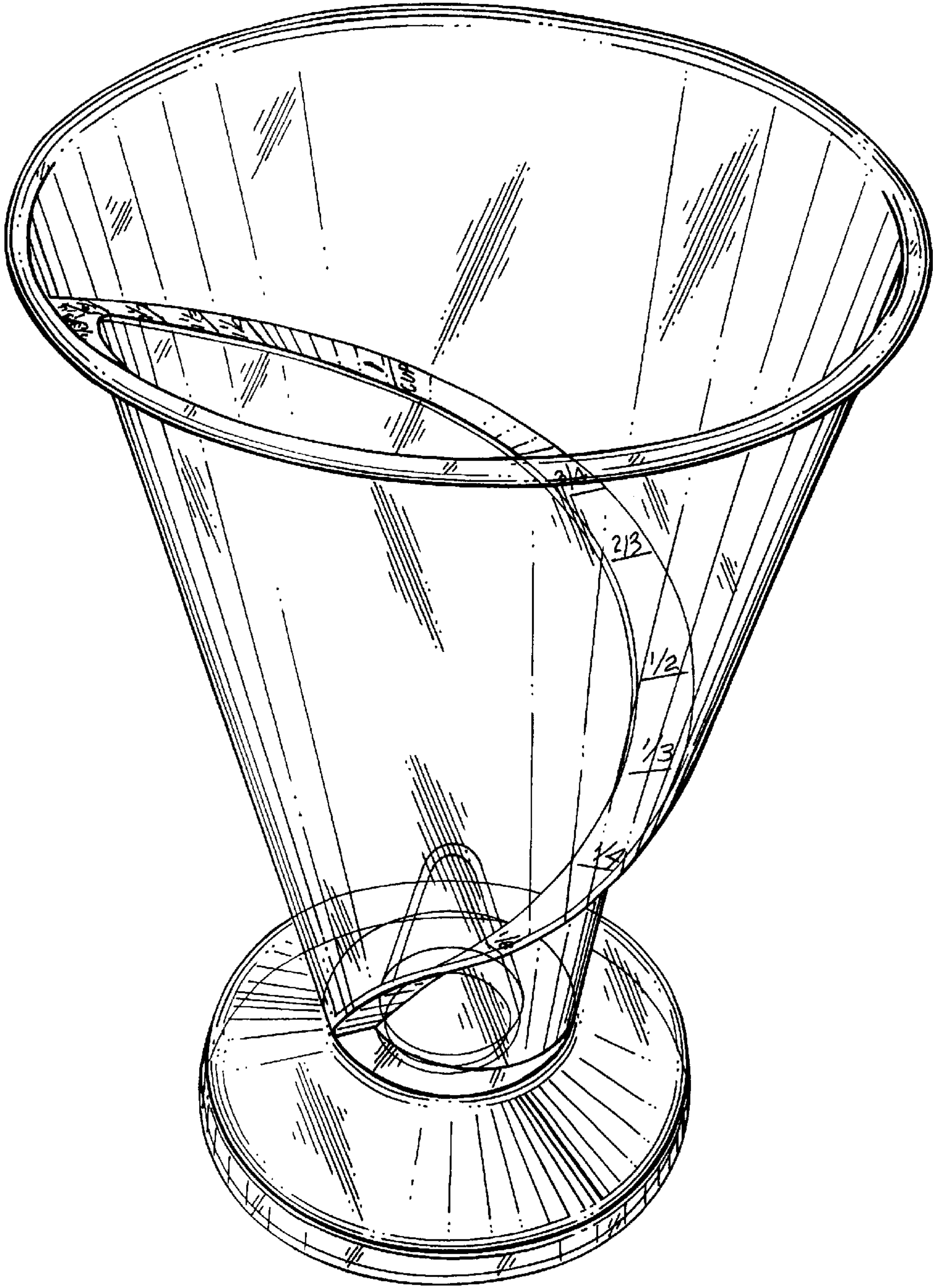


FIG. 1

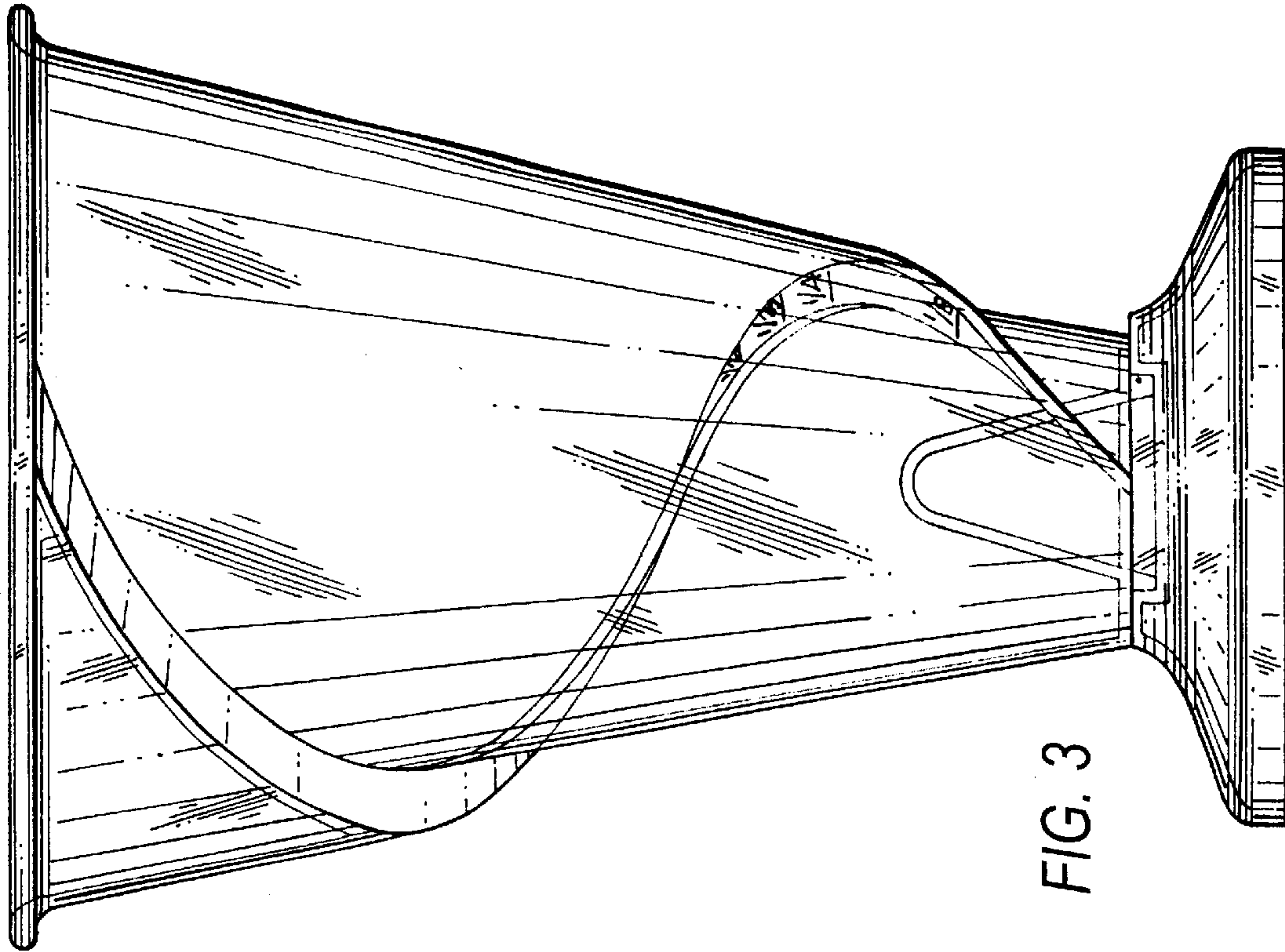


FIG. 3

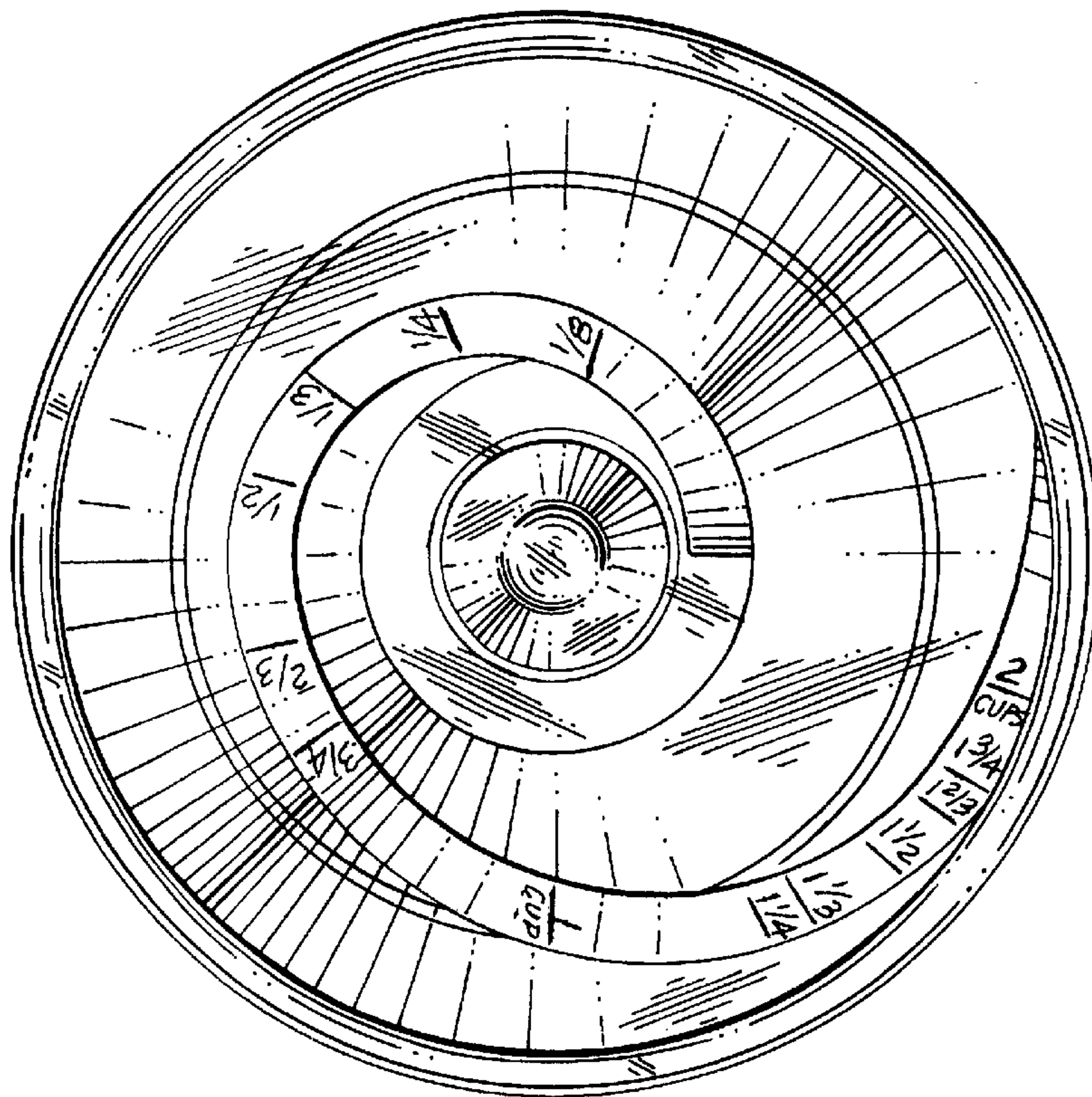


FIG. 2

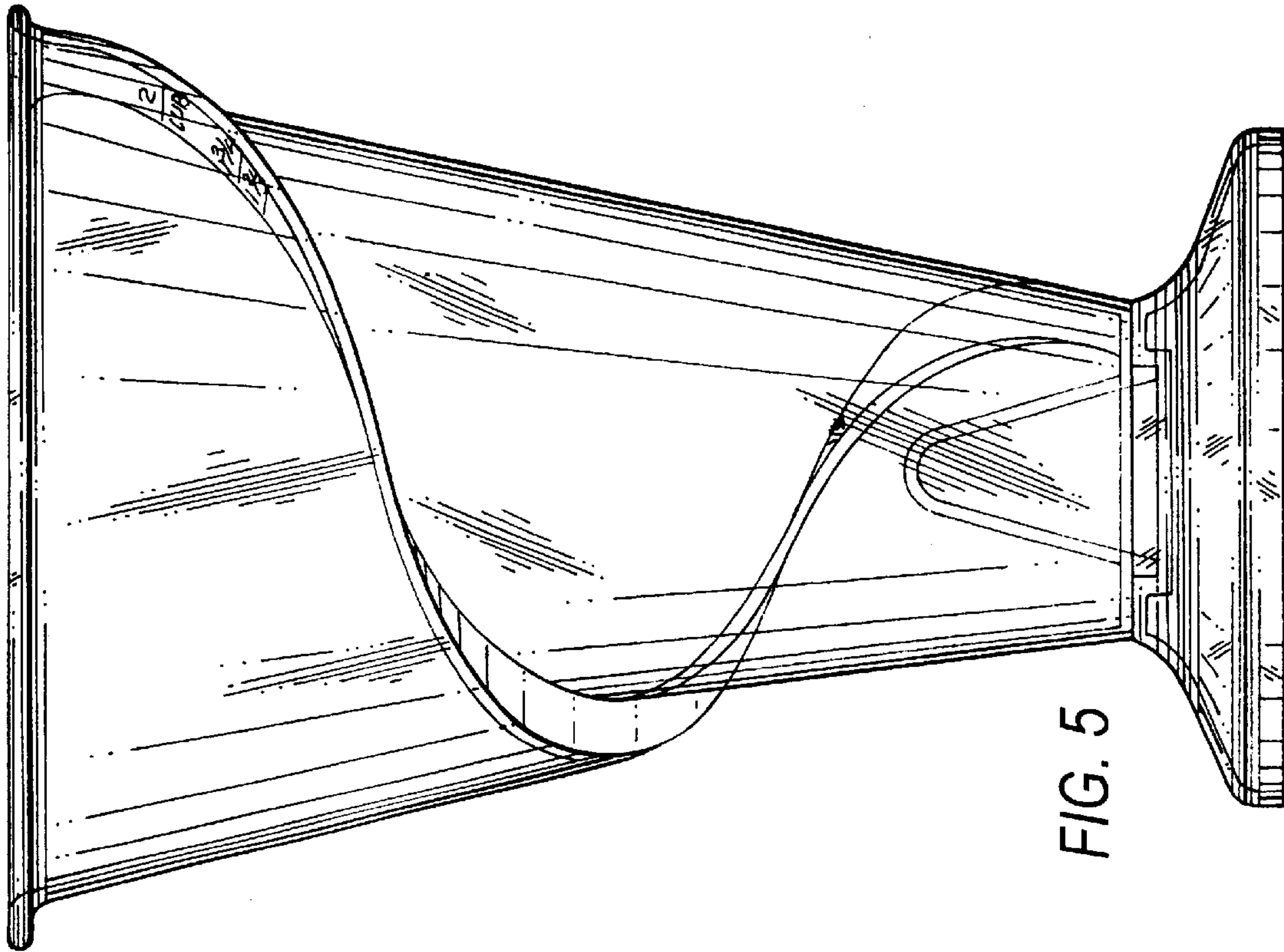


FIG. 5

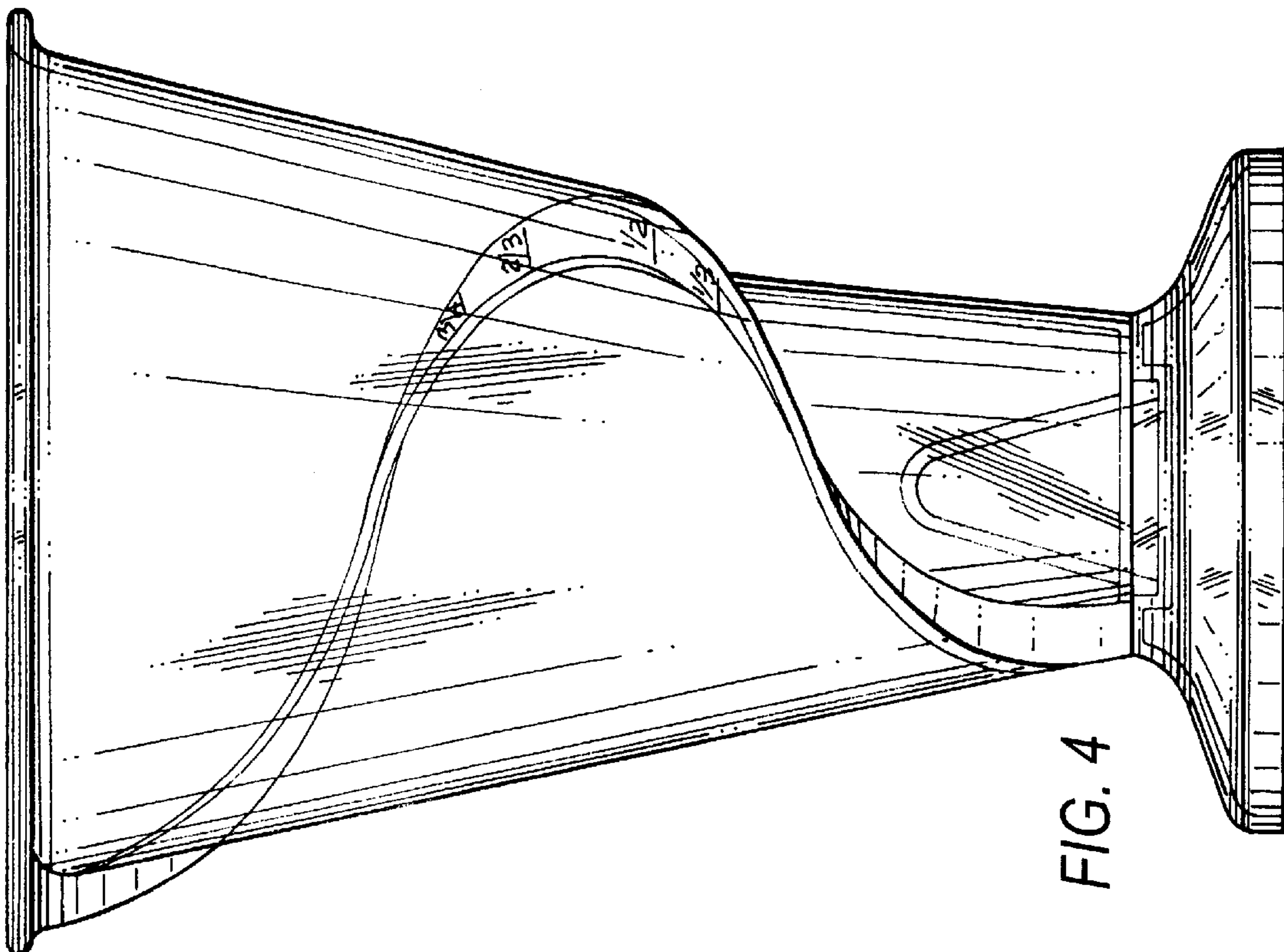


FIG. 4

FIG. 7

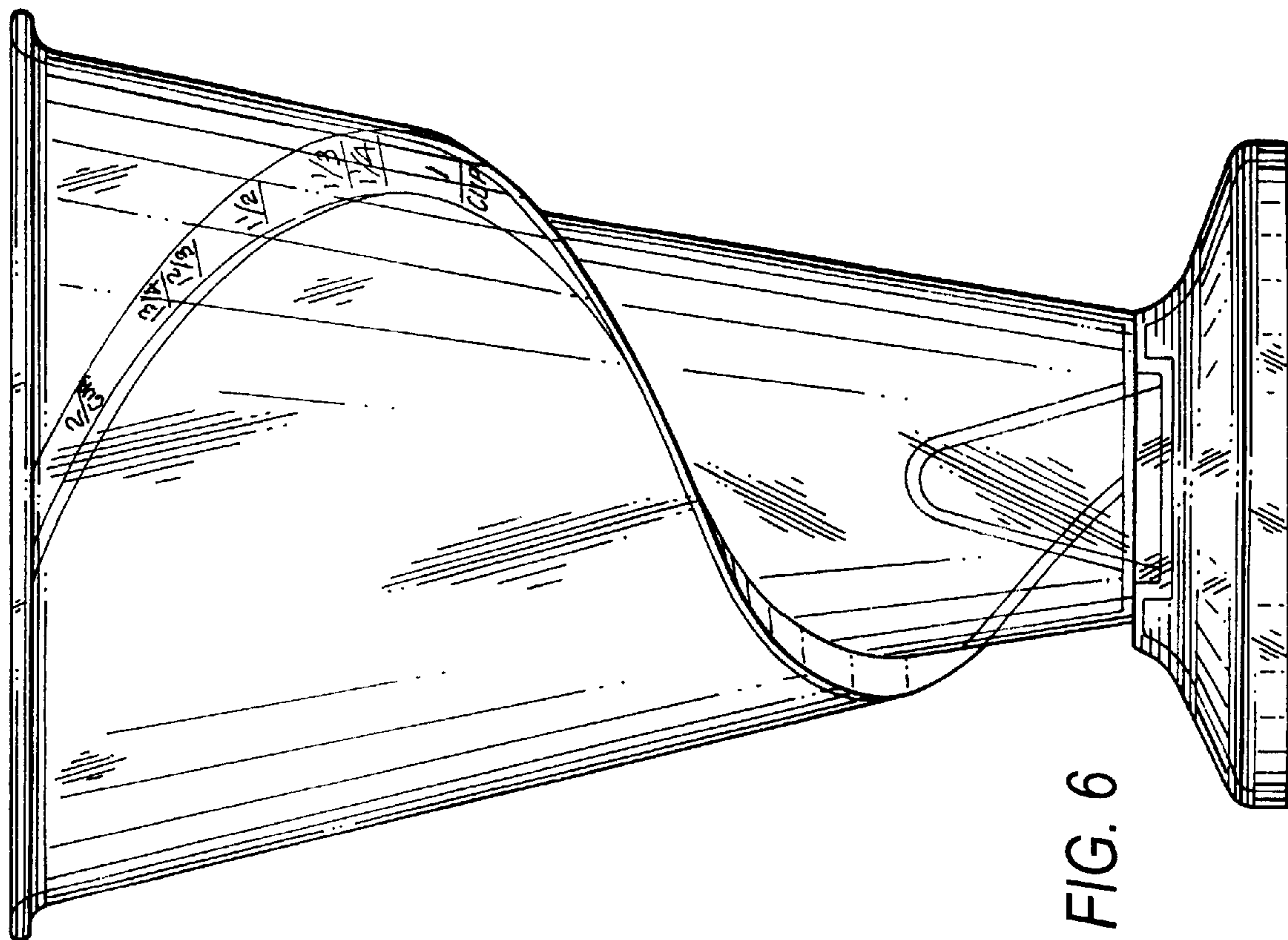
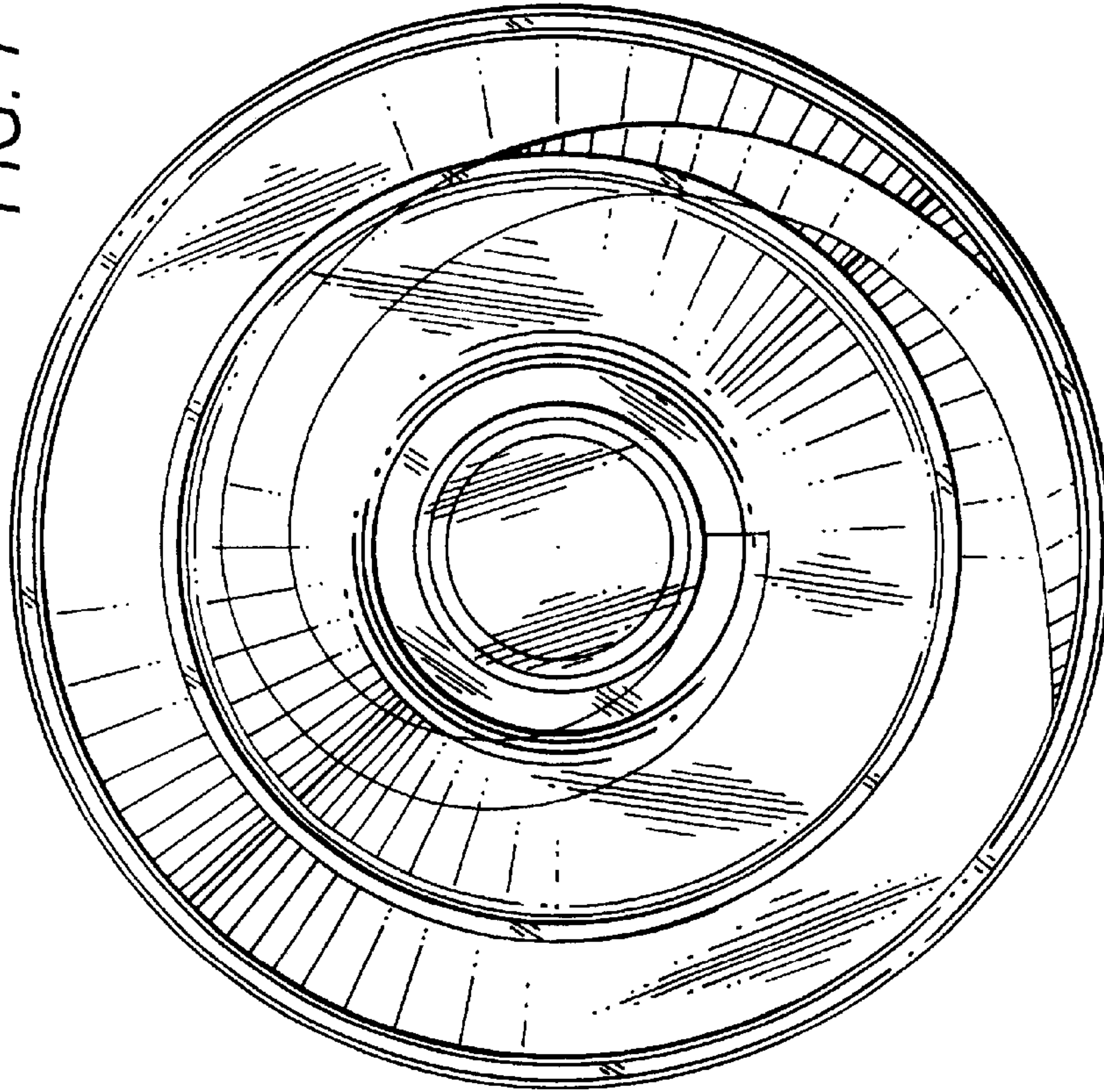


FIG. 6