



US00D522886S

(12) **United States Design Patent**  
**Bolt et al.**

(10) **Patent No.:** **US D522,886 S**  
(45) **Date of Patent:** **\*\* Jun. 13, 2006**

(54) **WATCH**

(75) Inventors: **Tom Bolt**, London (GB); **Philippe Guy Cogoli**, Kingston Upon Thames (GB)

(73) Assignee: **Alfred Dunhill Limited**, London (GB)

(\*\*) Term: **14 Years**

(21) Appl. No.: **29/214,200**

(22) Filed: **Sep. 30, 2004**

(30) **Foreign Application Priority Data**

Apr. 15, 2004 (EM) ..... 170683

(51) **LOC (8) Cl.** ..... **10-02**

(52) **U.S. Cl.** ..... **D10/34; D10/39**

(58) **Field of Classification Search** ..... D10/30-39,  
D10/122-132, 7; 368/281, 282, 82-84, 28-30,  
368/239-242, 276, 277, 278, 285, 223, 228,  
368/294-295; 224/164, 168

See application file for complete search history.

(56) **References Cited**

**U.S. PATENT DOCUMENTS**

- D72,415 S \* 4/1927 Dinhofer ..... D10/34
- 1,968,444 A \* 7/1934 Farber ..... 40/117
- D101,076 S \* 9/1936 Wadsworth ..... D10/39
- 2,532,161 A \* 11/1950 Gomberg ..... 224/179
- D184,355 S \* 2/1959 Judson ..... D10/124
- D279,552 S \* 7/1985 Maglioli ..... D10/39

- D311,143 S \* 10/1990 Lipp ..... D10/31
- D355,371 S \* 2/1995 Strasser ..... D10/30
- D395,403 S \* 6/1998 Hysek ..... D10/30
- D453,474 S \* 2/2002 Guadalupe ..... D10/30
- D471,822 S \* 3/2003 Goeckeritz ..... D10/32
- D478,515 S \* 8/2003 Sugiura et al. .... D10/32
- D494,875 S \* 8/2004 Chodat ..... D10/39

\* cited by examiner

*Primary Examiner*—Lucy Lieberman

(74) *Attorney, Agent, or Firm*—Hoffman, Wasson & Gitler

(57) **CLAIM**

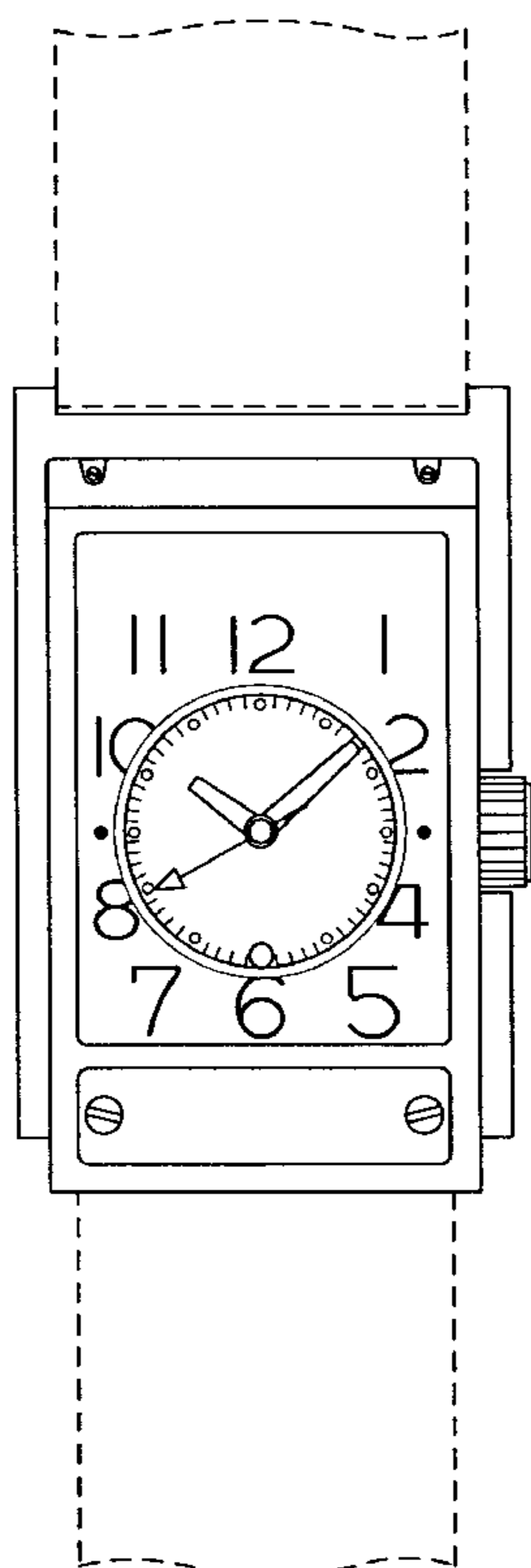
The ornamental design for a watch, as shown and described.

**DESCRIPTION**

FIG. 1 is a top plan view of a watch showing our new design;  
 FIG. 2 is a bottom plan view of the watch of FIG. 1;  
 FIG. 3 is a side view of the watch of FIG. 1;  
 FIG. 4 is a side view of the opposite side of the watch of FIG. 1;  
 FIG. 5 is an end view of one side of the watch of FIG. 1, showing the watch stem; and,  
 FIG. 6 is an end view of the opposite side of the watch of FIG. 1.

The watch band is shown in dotted outline, and does not comprise an integral part of applicants' unique design for a watch; the watch band is included as an indication of the environment in which the unique watch functions.

**1 Claim, 3 Drawing Sheets**



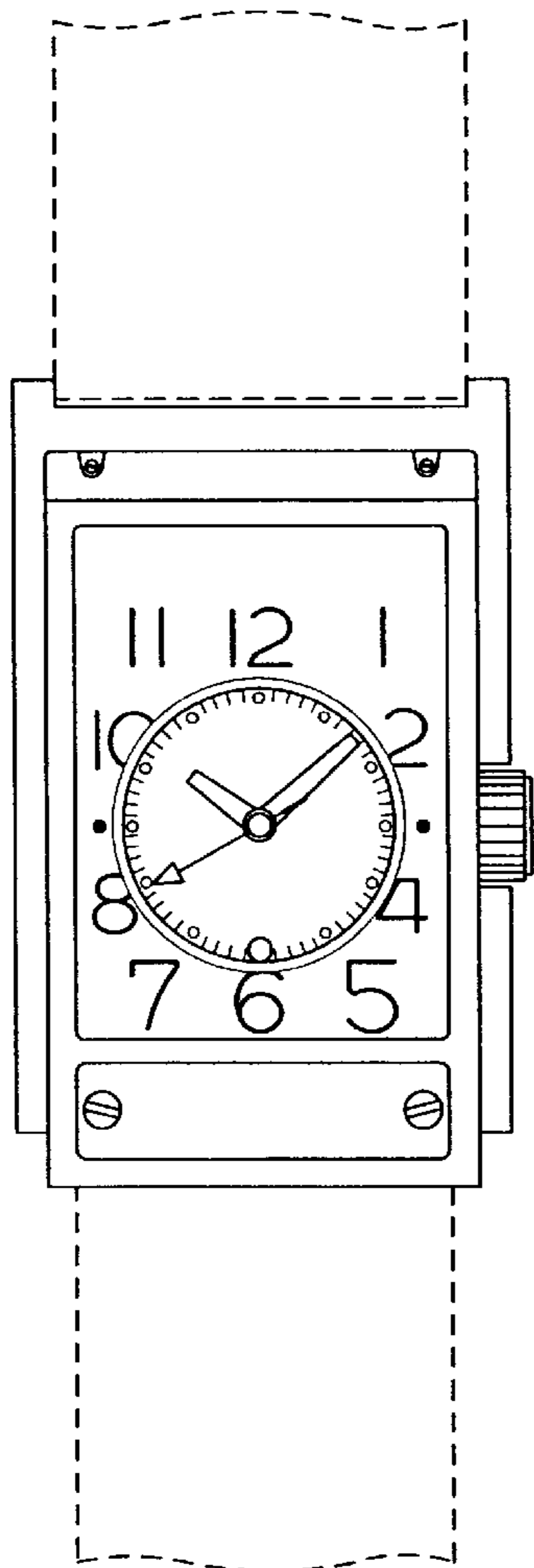


FIG. 1

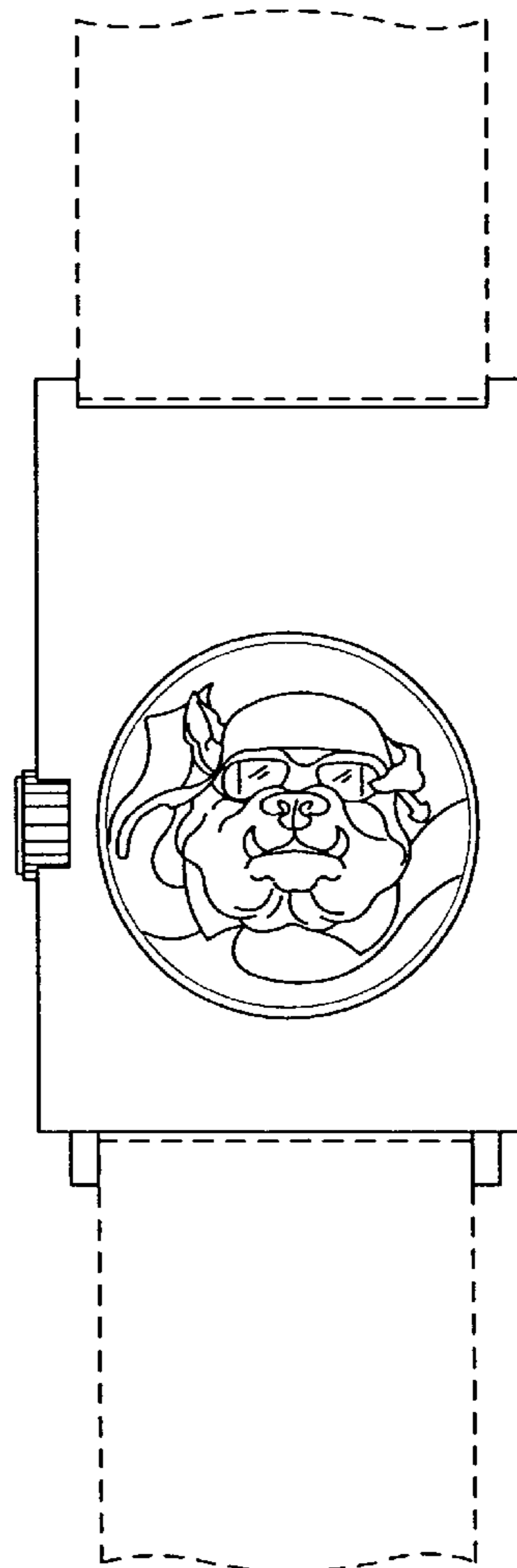


FIG. 2

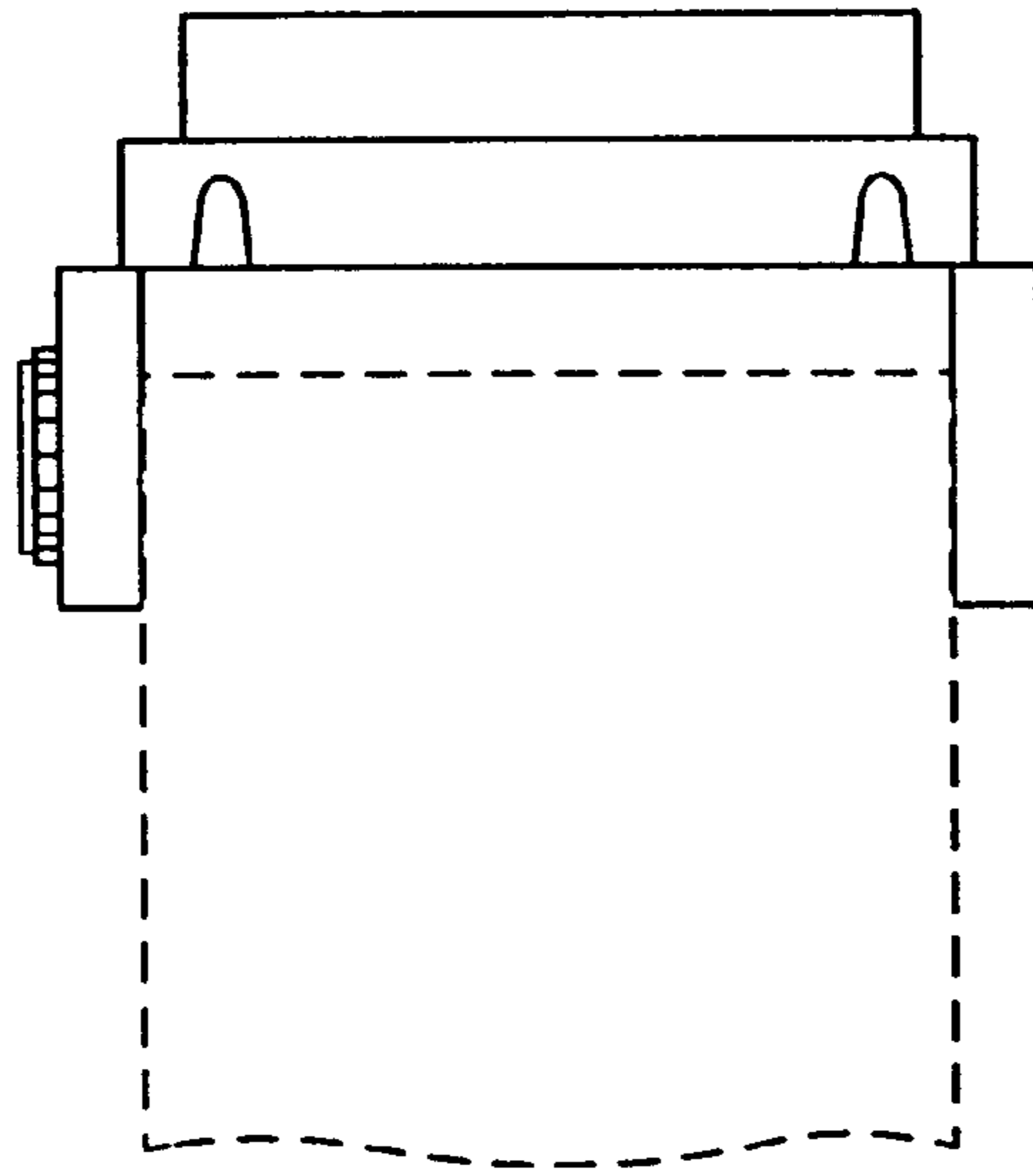


FIG. 3

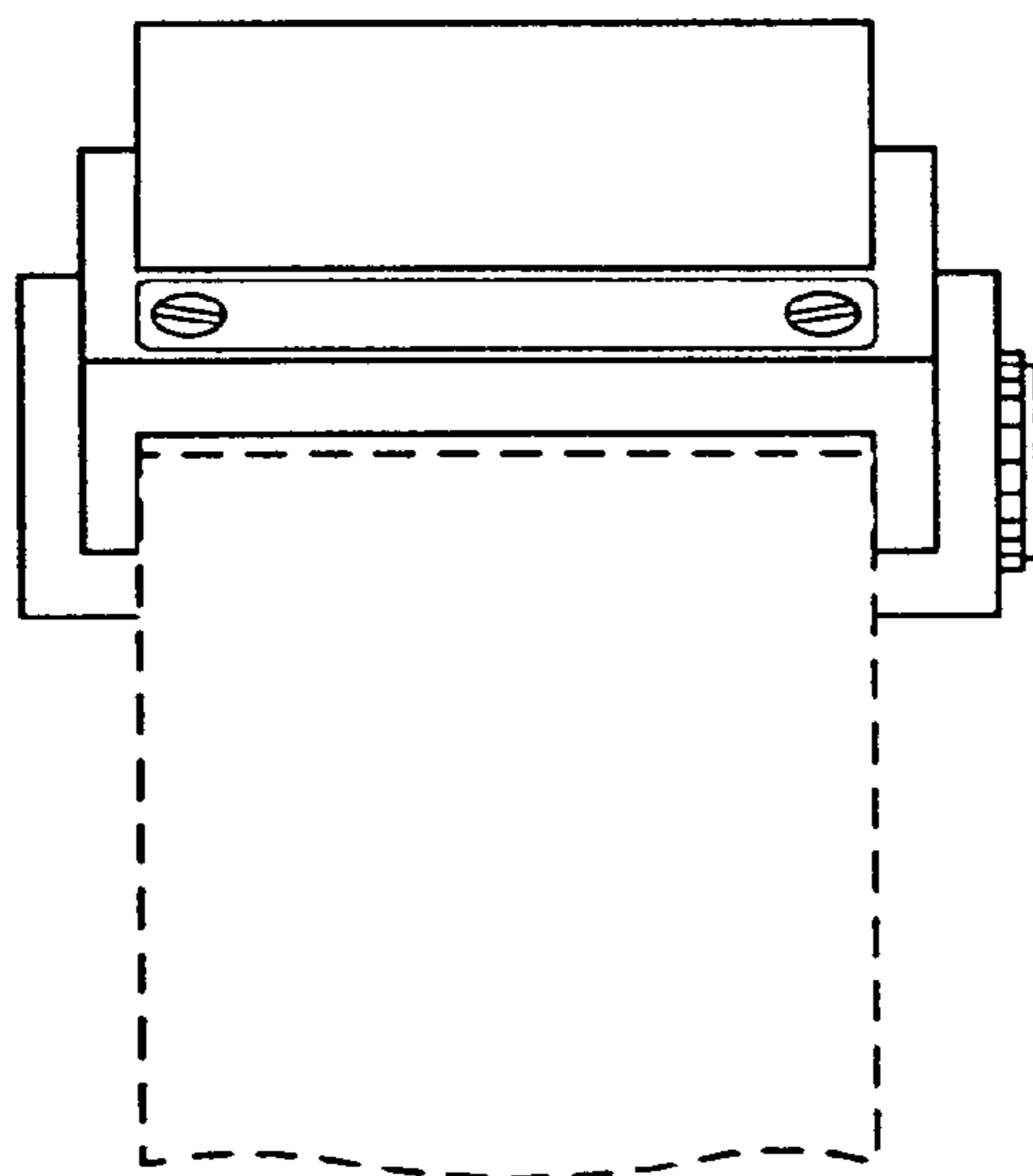


FIG. 4

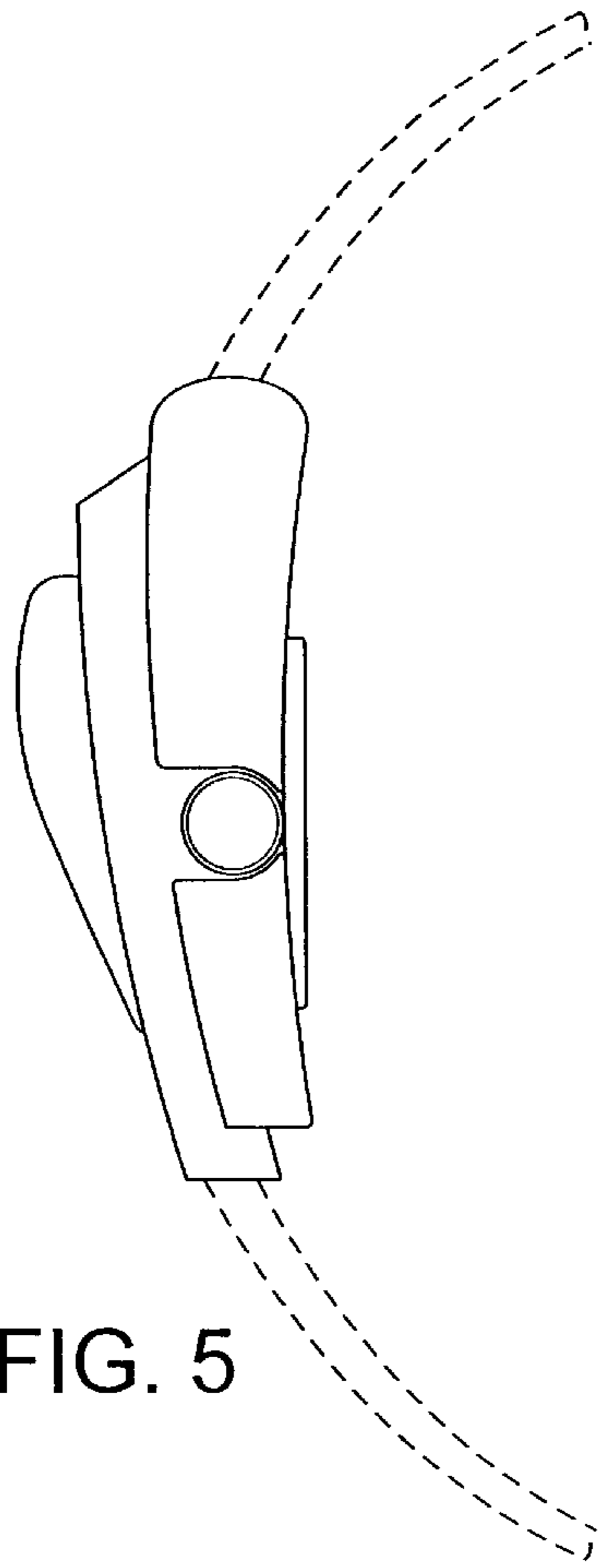


FIG. 5

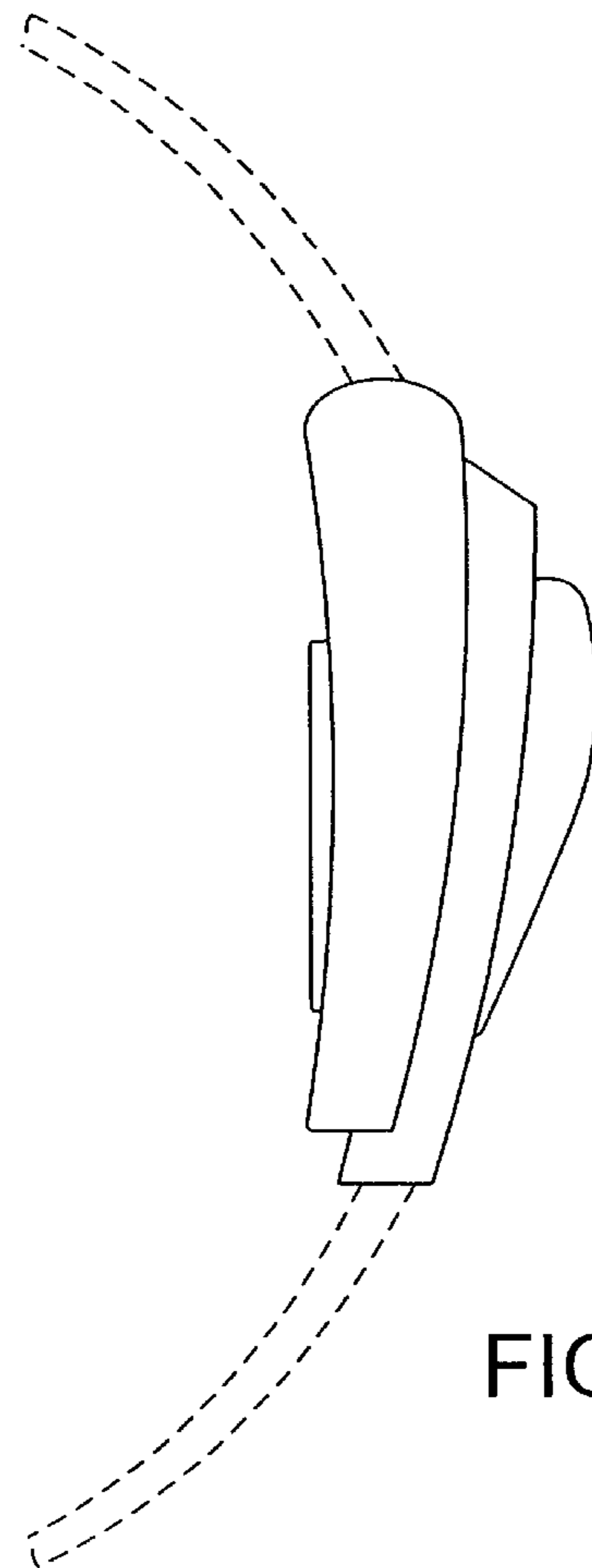


FIG. 6