



US00D522884S

(12) **United States Design Patent**
Peraldi et al.

(10) **Patent No.:** **US D522,884 S**
(45) **Date of Patent:** **** Jun. 13, 2006**

(54) **WRISTWATCH**

(75) Inventors: **Alexandre Peraldi**, Annemasse (FR);
Jean-Christophe Sabatier,
Saint-Julien-en-Genevois (FR)

(73) Assignee: **Richemont International SA**,
Villars-sur-Glane (CH)

(**) **Term:** **14 Years**

(21) **Appl. No.:** **29/216,851**

(22) **Filed:** **Nov. 10, 2004**

(30) **Foreign Application Priority Data**

May 12, 2004 (WO) DM/065 397

(51) **LOC (8) Cl.** **10-02**

(52) **U.S. Cl.** **D10/32; D10/39**

(58) **Field of Classification Search** D10/30-39,
D10/122-132; D11/2, 3; 368/281-283, 285-287,
368/28-30, 239-242, 276-278, 80, 82-84,
368/223, 228, 232, 294, 295; 63/1.13, 5.1,
63/3; 224/164, 168, 175

See application file for complete search history.

(56) **References Cited**

U.S. PATENT DOCUMENTS

1,871,896 A * 8/1932 Manheimer 368/282
D139,671 S * 12/1944 Pereira D10/32
2,467,050 A * 4/1949 Piquerez 368/294

3,307,345 A * 3/1967 Cohen 224/164
5,332,135 A * 7/1994 Fletcher 224/164
D356,041 S * 3/1995 Bulgari D10/39
D422,922 S * 4/2000 Wunderman D10/32
D434,335 S * 11/2000 Amstutz D10/32
D453,005 S * 1/2002 Baumer D10/32
D484,814 S * 1/2004 Sugiura D10/32
D487,403 S * 3/2004 Geockeritz et al. D10/39
6,799,887 B1 * 10/2004 Kinney 368/282

* cited by examiner

Primary Examiner—Lucy Lieberman

(74) *Attorney, Agent, or Firm*—Young & Thompson

(57) **CLAIM**

The ornamental design for a wristwatch, as shown and described.

DESCRIPTION

FIG. 1 is a top view of the wristwatch with the strap covering the watchcase.

FIG. 2 is a bottom view of the wristwatch.

FIG. 3 is a right side view of FIG. 1.

FIG. 4 is a side view from the left of FIG. 1.

FIG. 5 is a view from the bottom of FIG. 1;

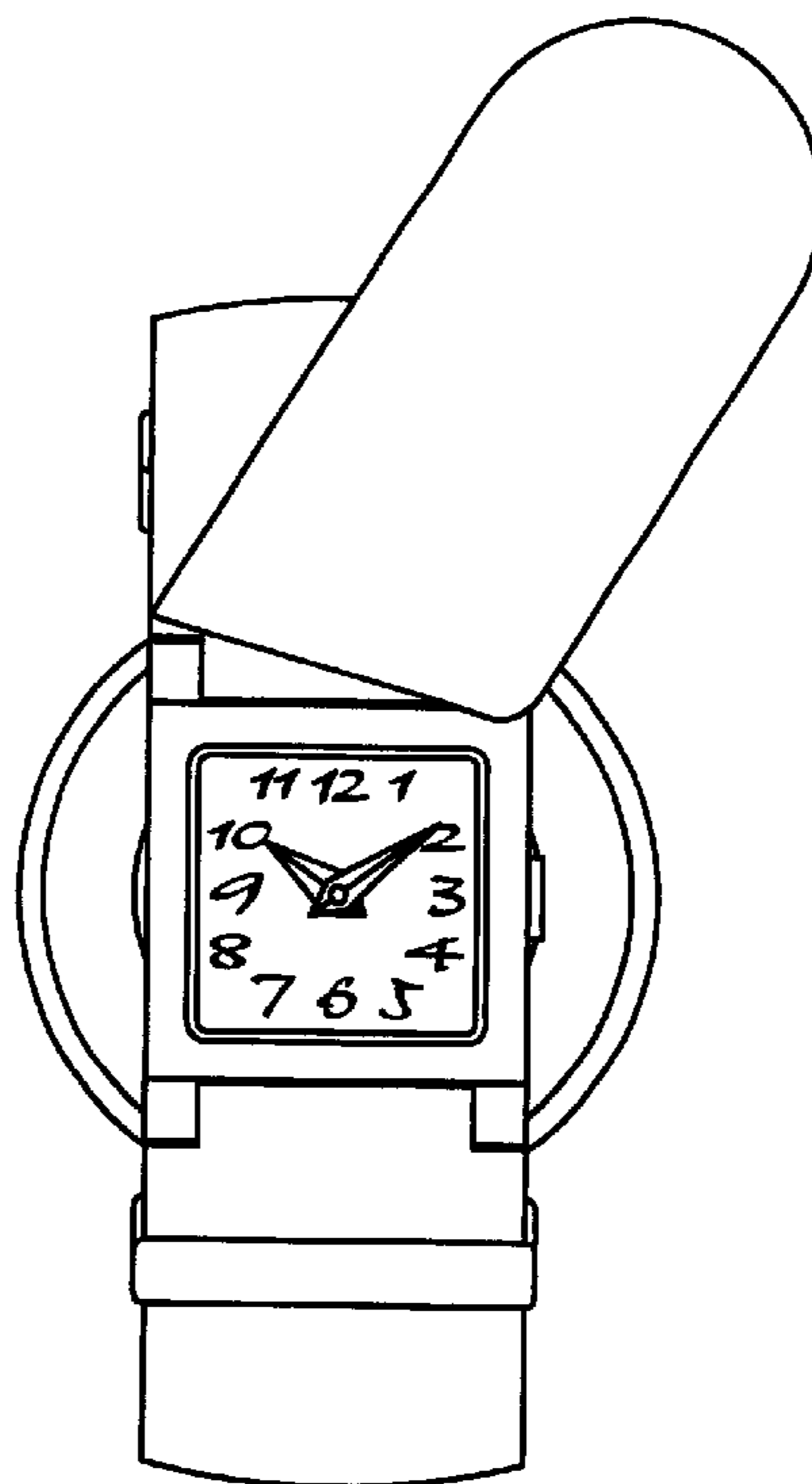
FIG. 6 is a view from the top of FIG. 1;

FIG. 7 is a top view of the wristwatch with the free end of the strap not covering the watchcase.

FIG. 8 is a side view from the right of FIG. 7; and,

FIG. 9 is a side view from the left of FIG. 7.

1 Claim, 3 Drawing Sheets



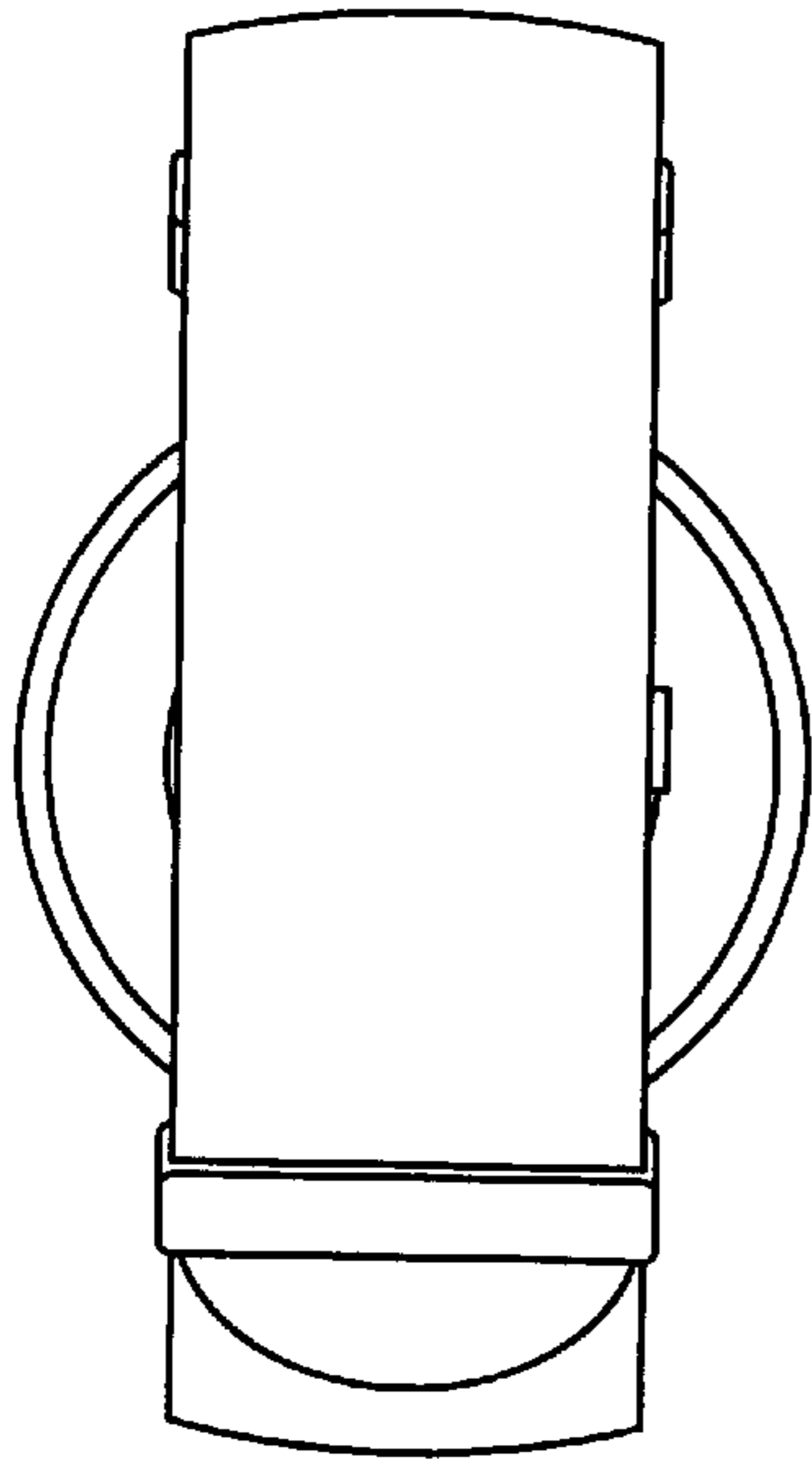


Fig. 1

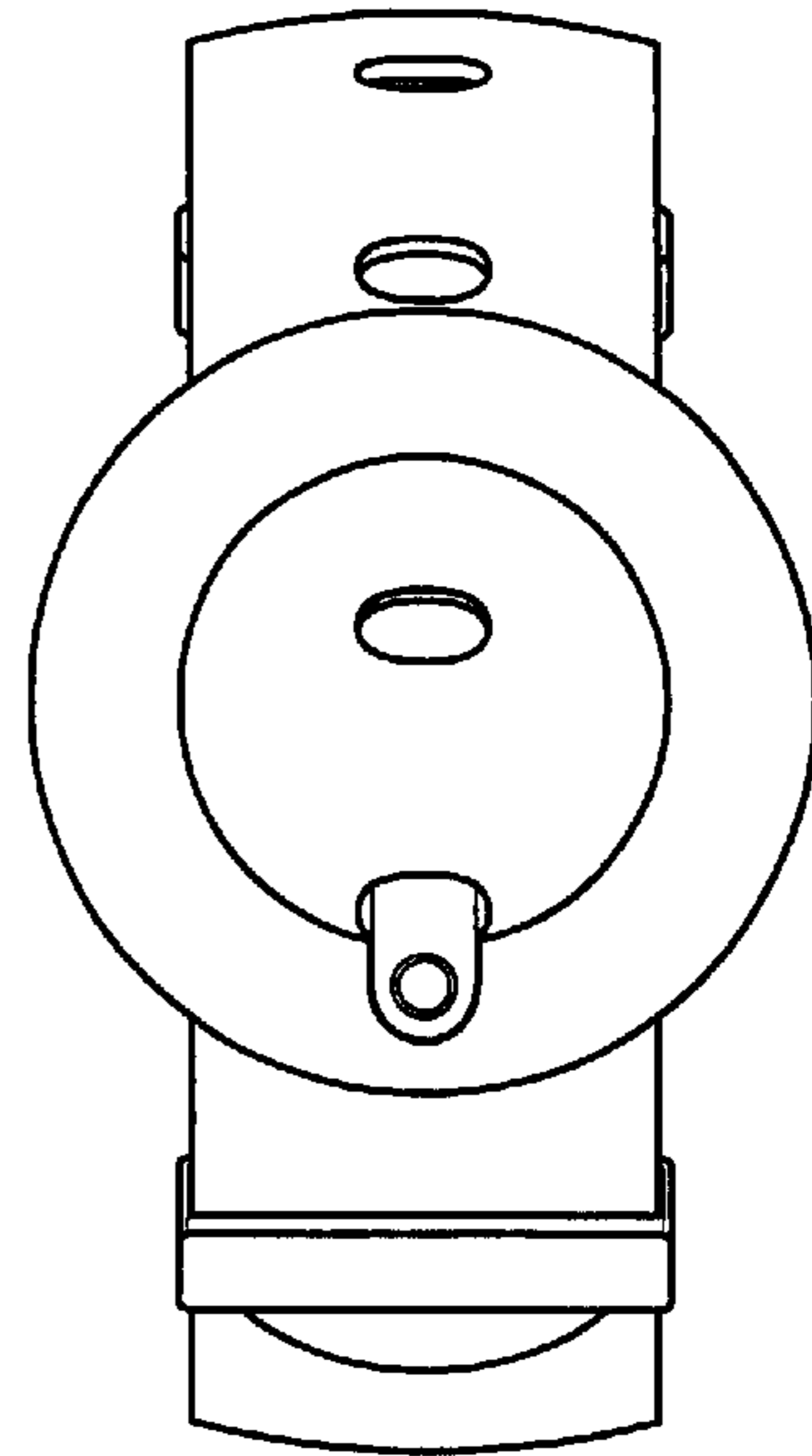


Fig. 2

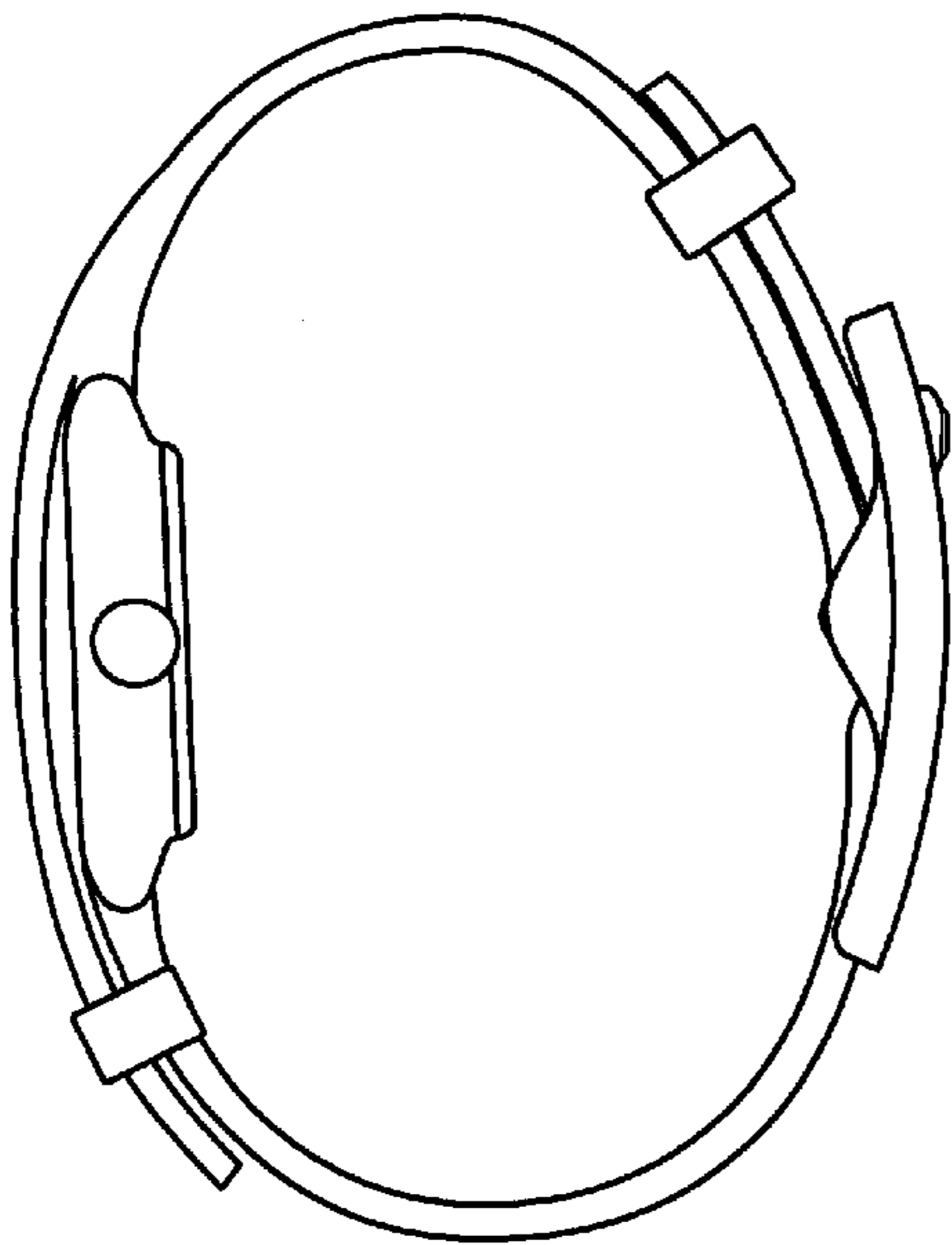


Fig. 3

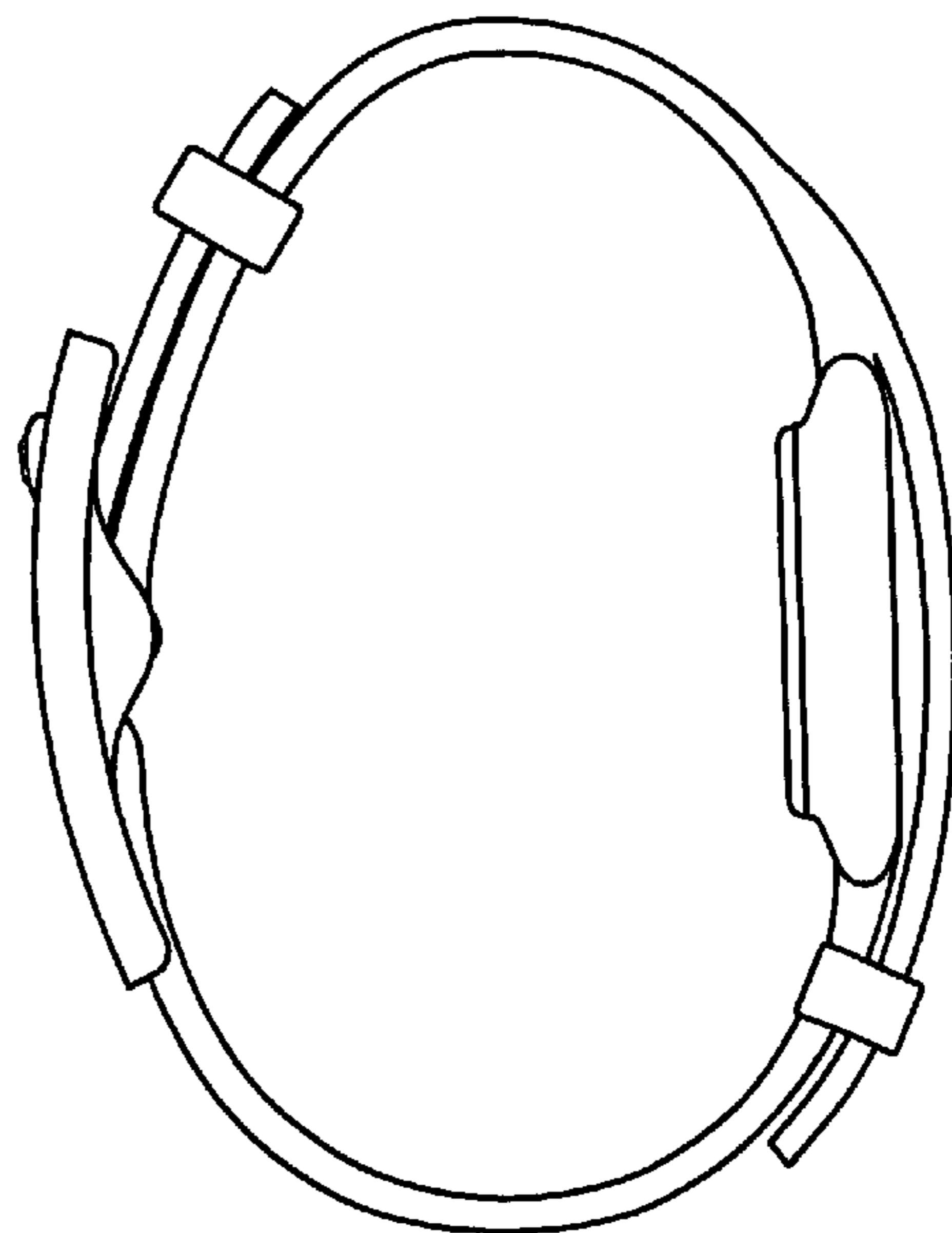


Fig. 4

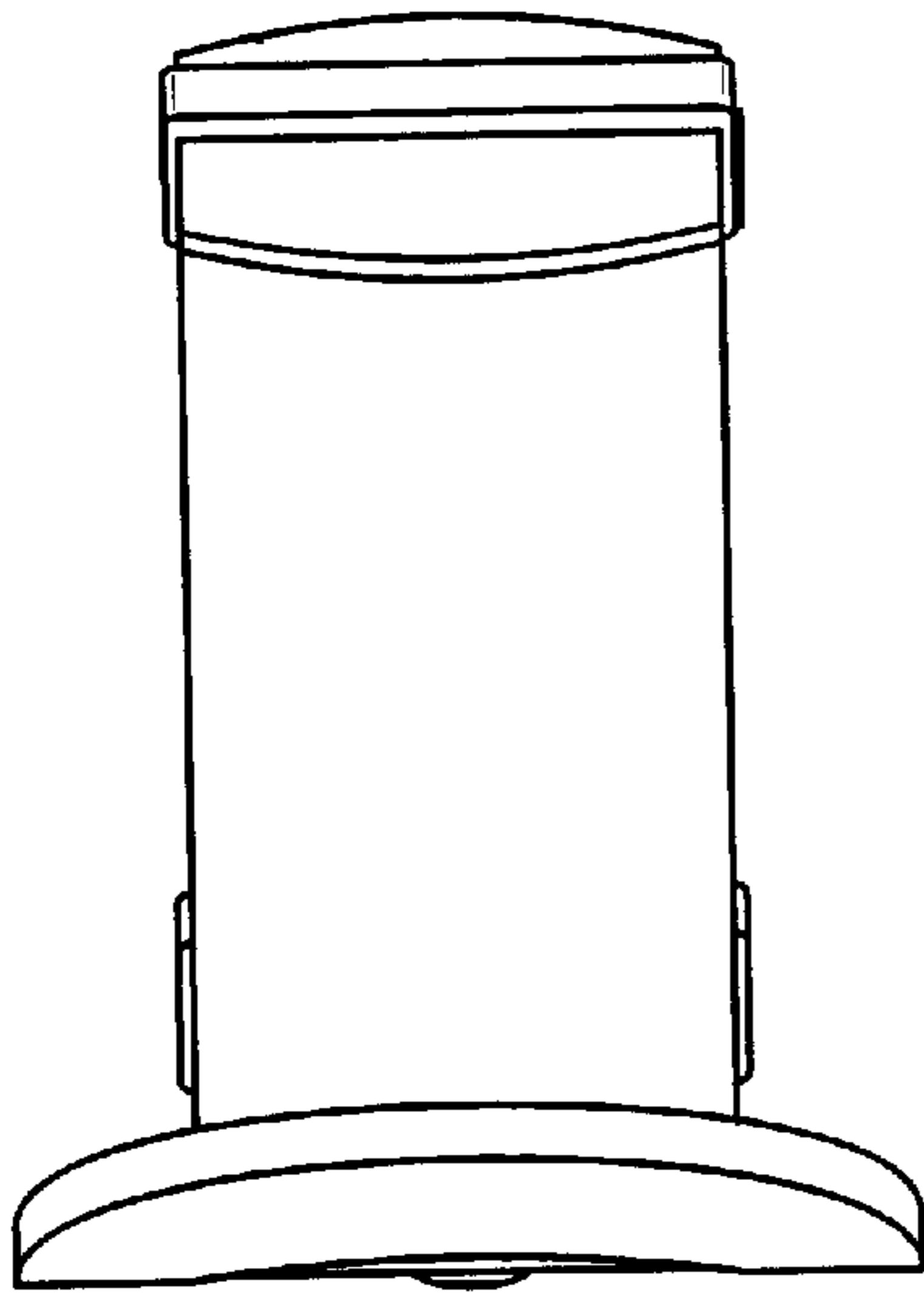


Fig. 5

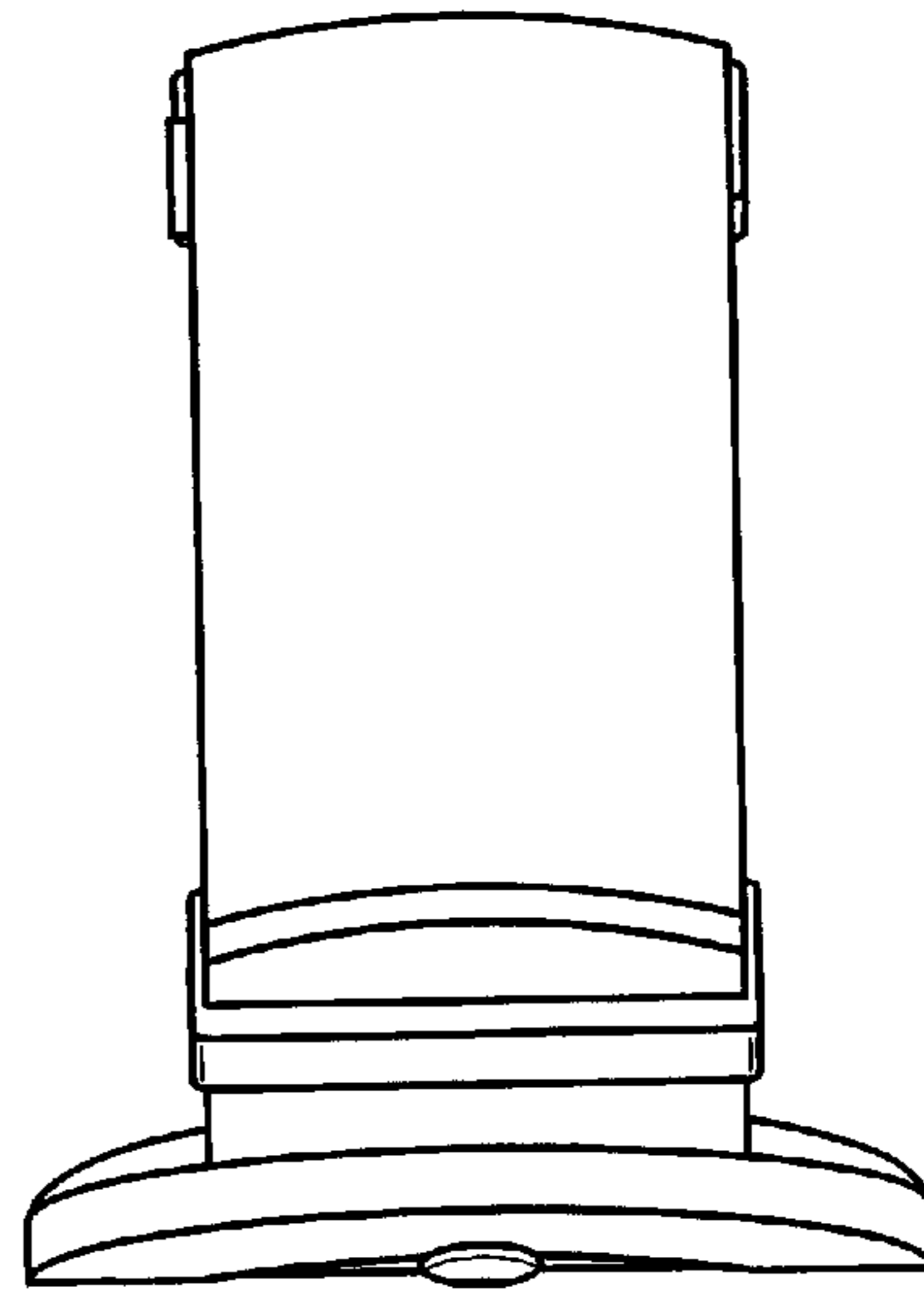


Fig. 6

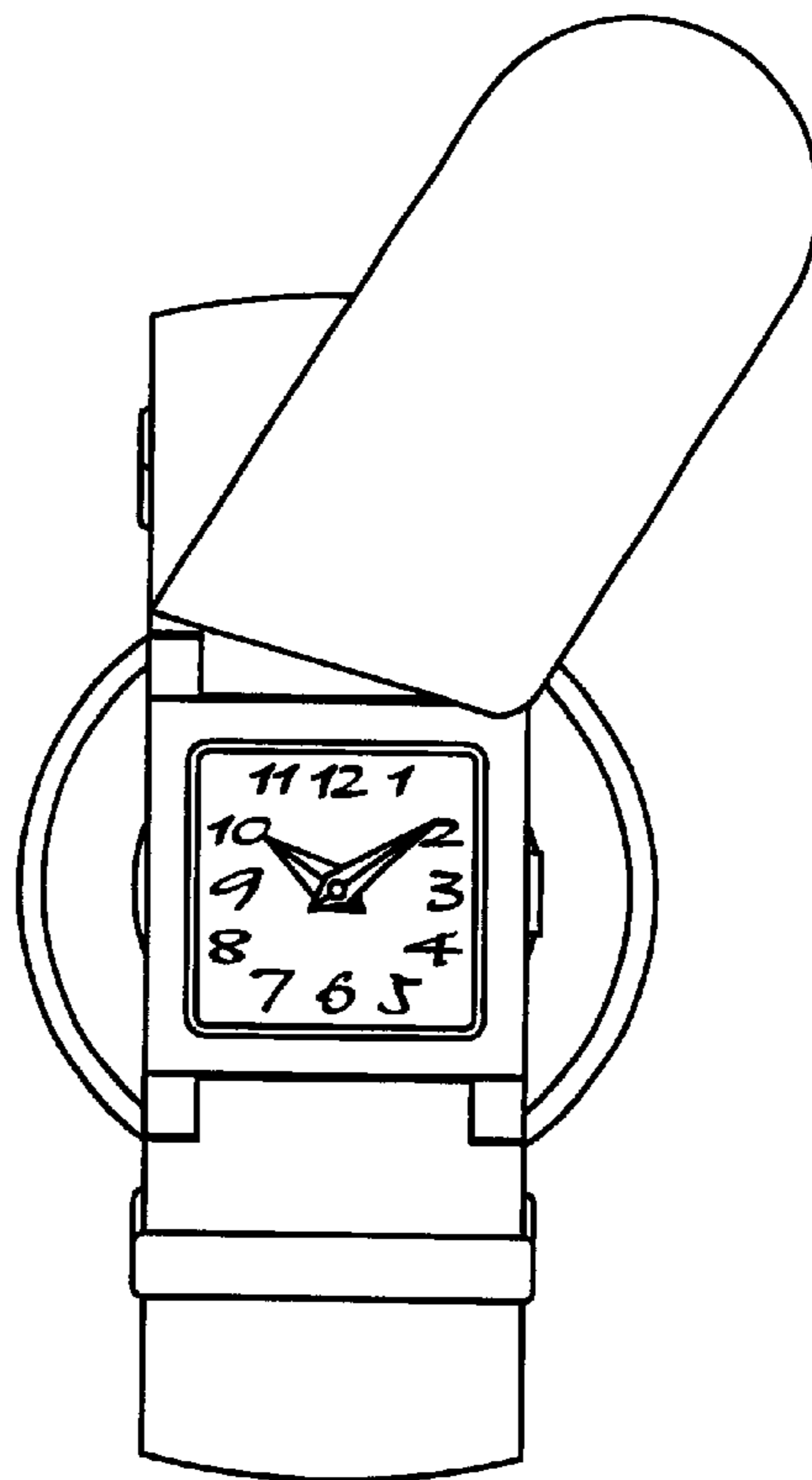


Fig. 7

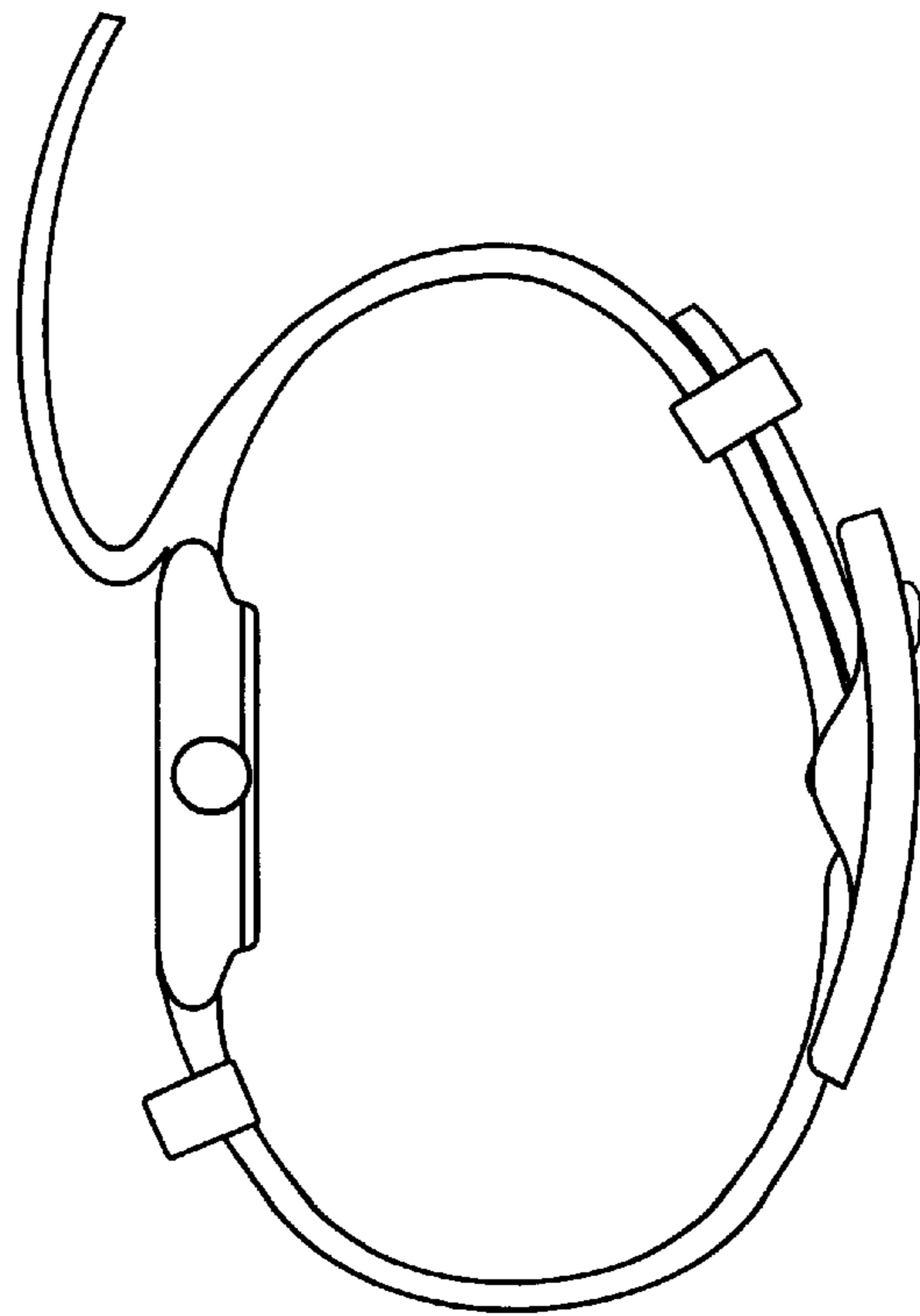


Fig. 8

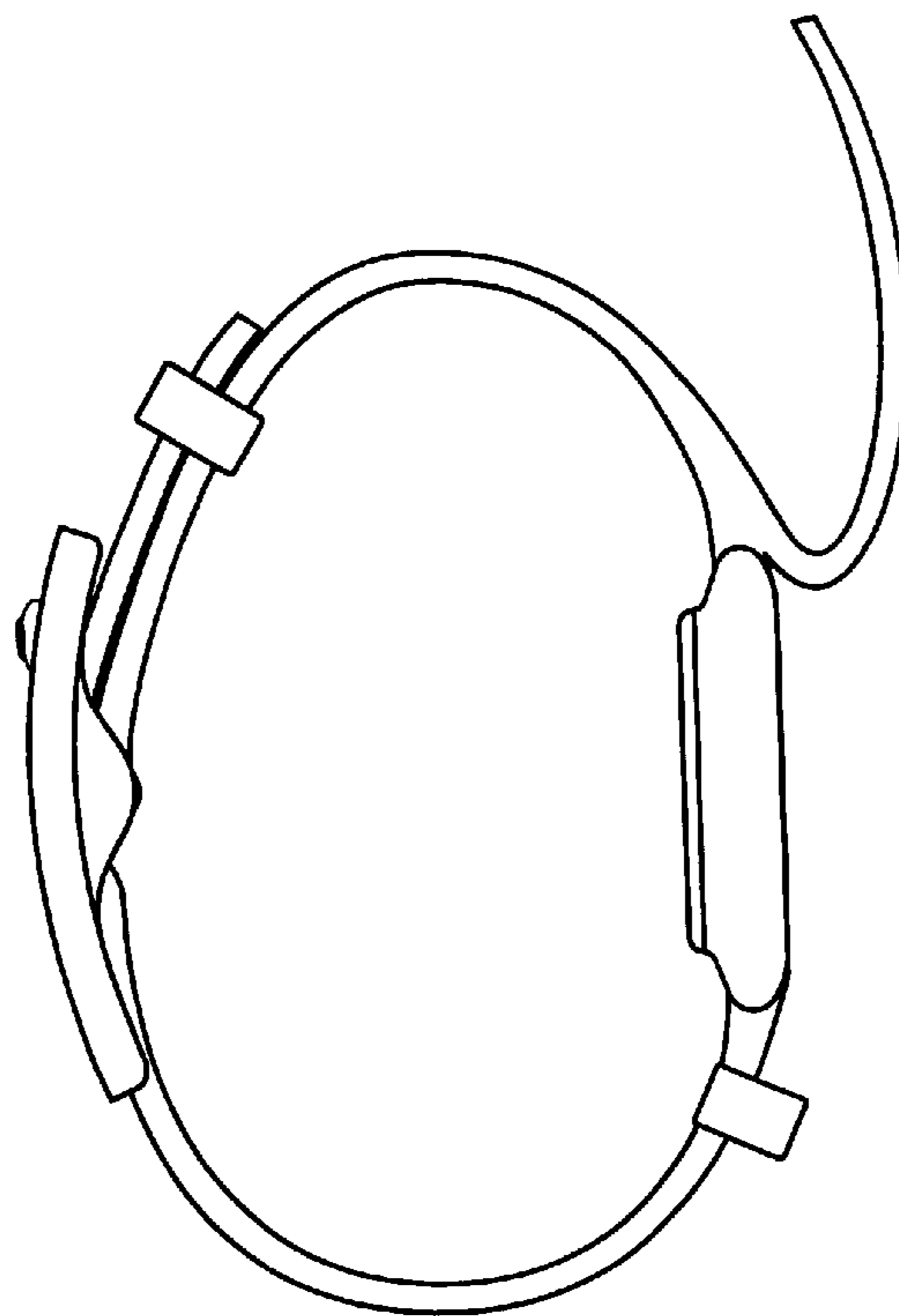


Fig. 9