

US00D522879S

(12) **United States Design Patent**
Chadfield

(10) **Patent No.:** **US D522,879 S**
(45) **Date of Patent:** **** Jun. 13, 2006**

(54) **PROPEL/REPEL APPLICATOR BODY**

(75) Inventor: **Robert W. Chadfield**, Chaska, MN
(US)

(73) Assignee: **Federal Package Network, Inc.**,
Chaska, MN (US)

(**) Term: **14 Years**

(21) Appl. No.: **29/238,492**

(22) Filed: **Sep. 19, 2005**

(51) **LOC (8) Cl.** **09-03**

(52) **U.S. Cl.** **D9/727**

(58) **Field of Classification Search** D9/424,
D9/500, 502-504, 529, 549, 556, 558, 559,
D9/569, 723, 726-729; D28/4, 7, 9, 73, 76,
D28/85, 88, 89, 90; D19/66; 401/126; 206/407,
206/823, 265, 385, 235; 220/916

See application file for complete search history.

(56) **References Cited**

U.S. PATENT DOCUMENTS

D92,581 S * 6/1934 Chesler D28/89
D96,089 S * 7/1935 Botham D9/556
2,030,040 A * 2/1936 Hynes et al. 206/407
D218,222 S * 8/1970 Leibson D9/529

D275,040 S * 8/1984 Holloway D28/76
D280,032 S * 8/1985 Holloway D28/89
D281,054 S * 10/1985 Menrad D9/529
D300,957 S * 5/1989 Moore D28/7
D353,044 S * 12/1994 Riley D9/559
D429,847 S * 8/2000 Lang D28/7
D441,145 S * 4/2001 Chang D28/88
D441,916 S * 5/2001 Faillant-Dumas D28/88
D466,814 S * 12/2002 Hurlburt D9/504

* cited by examiner

Primary Examiner—Mitchell Siegel

Assistant Examiner—Sandra C. Hill

(74) *Attorney, Agent, or Firm*—Breiner & Breiner, L.L.C.

(57) **CLAIM**

The ornamental design for a propel/repel applicator body, as shown and described.

DESCRIPTION

FIG. 1 is a front elevational view of a propel/repel applicator body showing my new design, the rear and side elevational views being identical thereto;

FIG. 2 is a top plan view thereof;

FIG. 3 is a bottom plan view thereof; and,

FIG. 4 is a perspective view thereof.

1 Claim, 1 Drawing Sheet

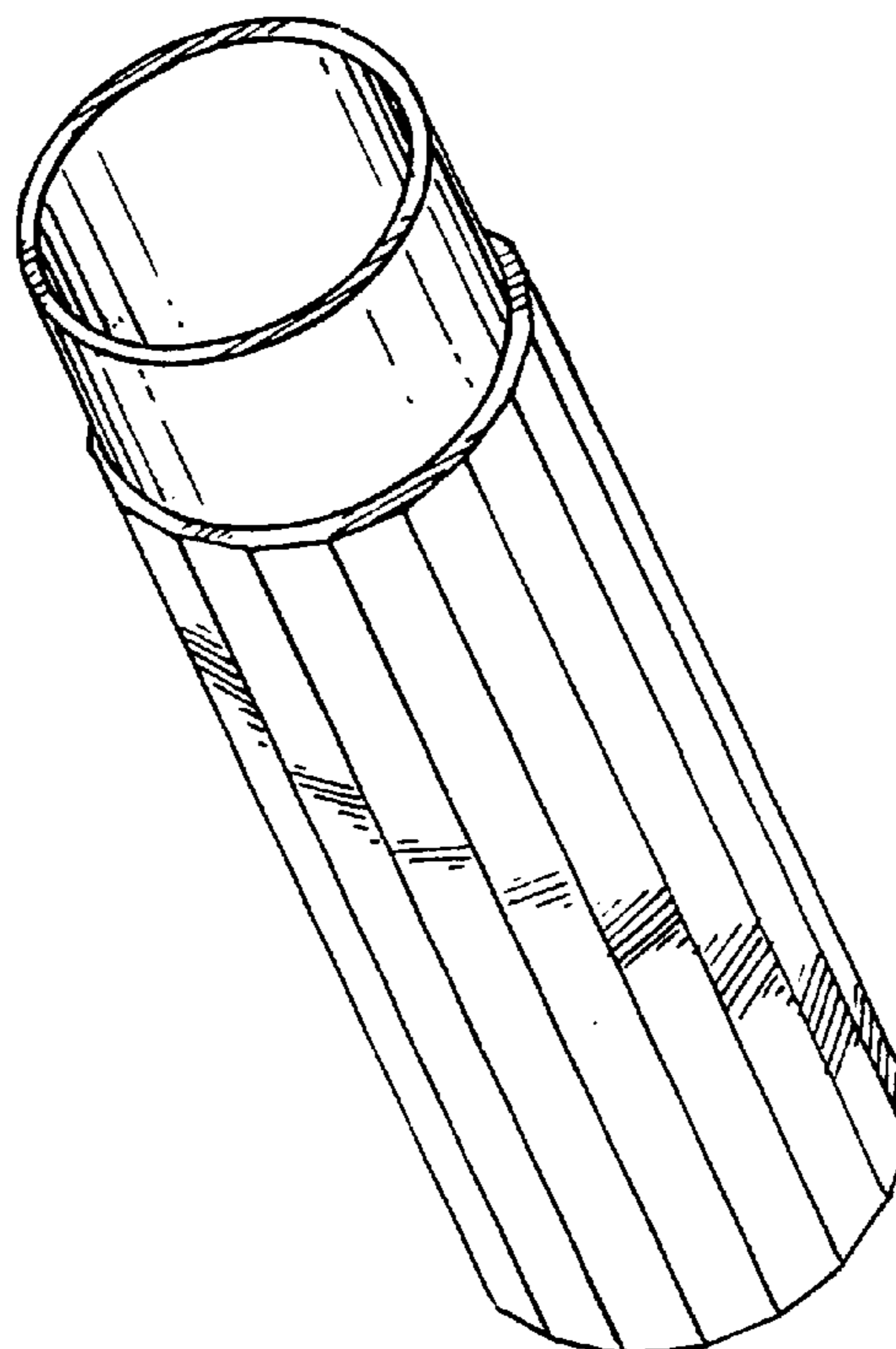


FIG. 2

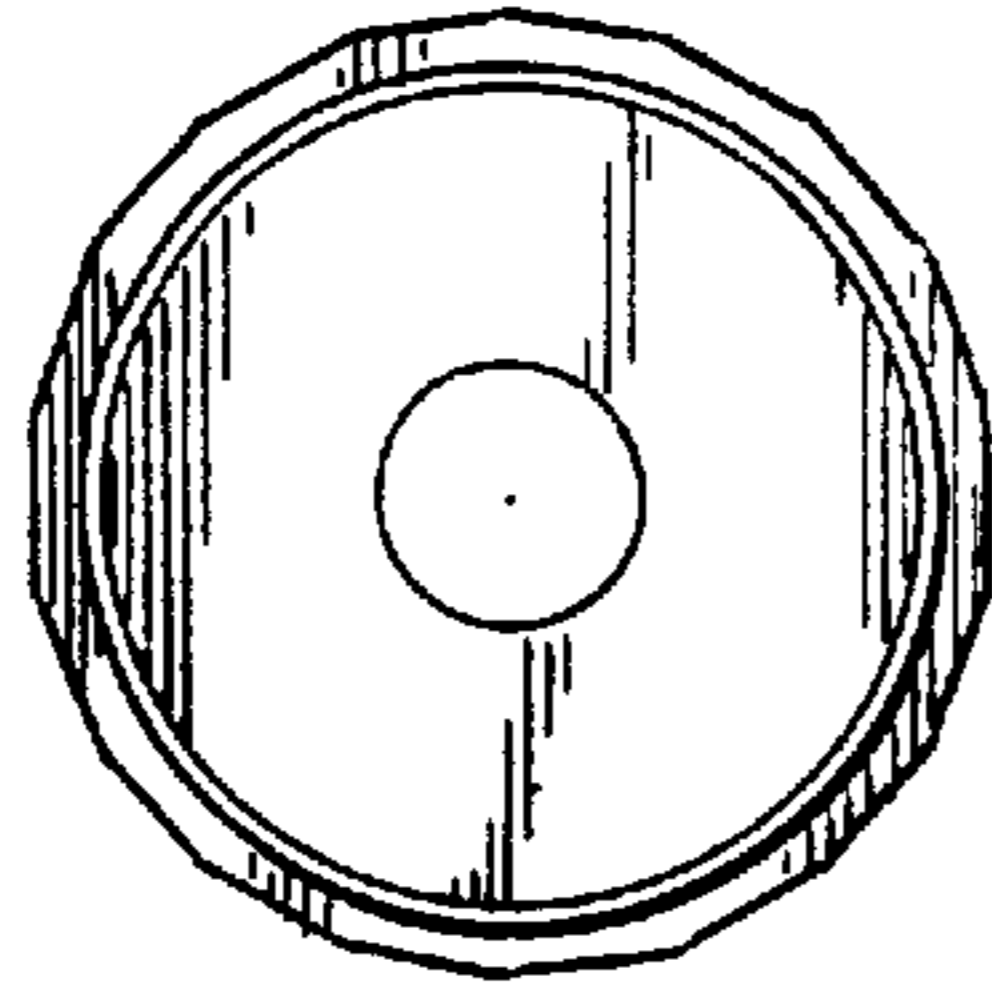


FIG. 1

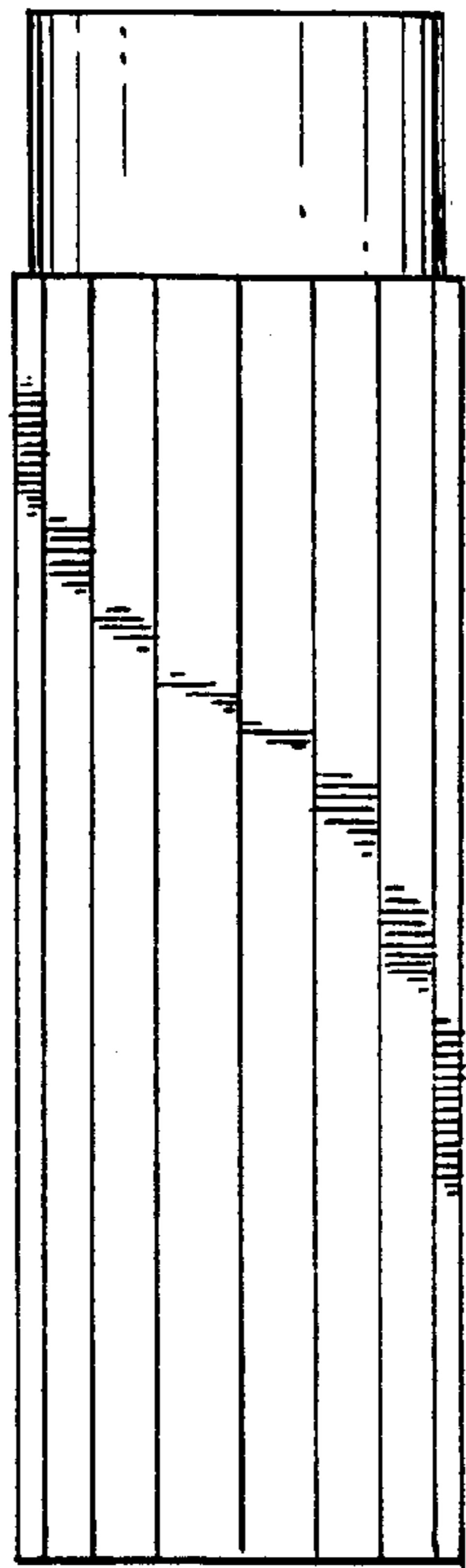


FIG. 4

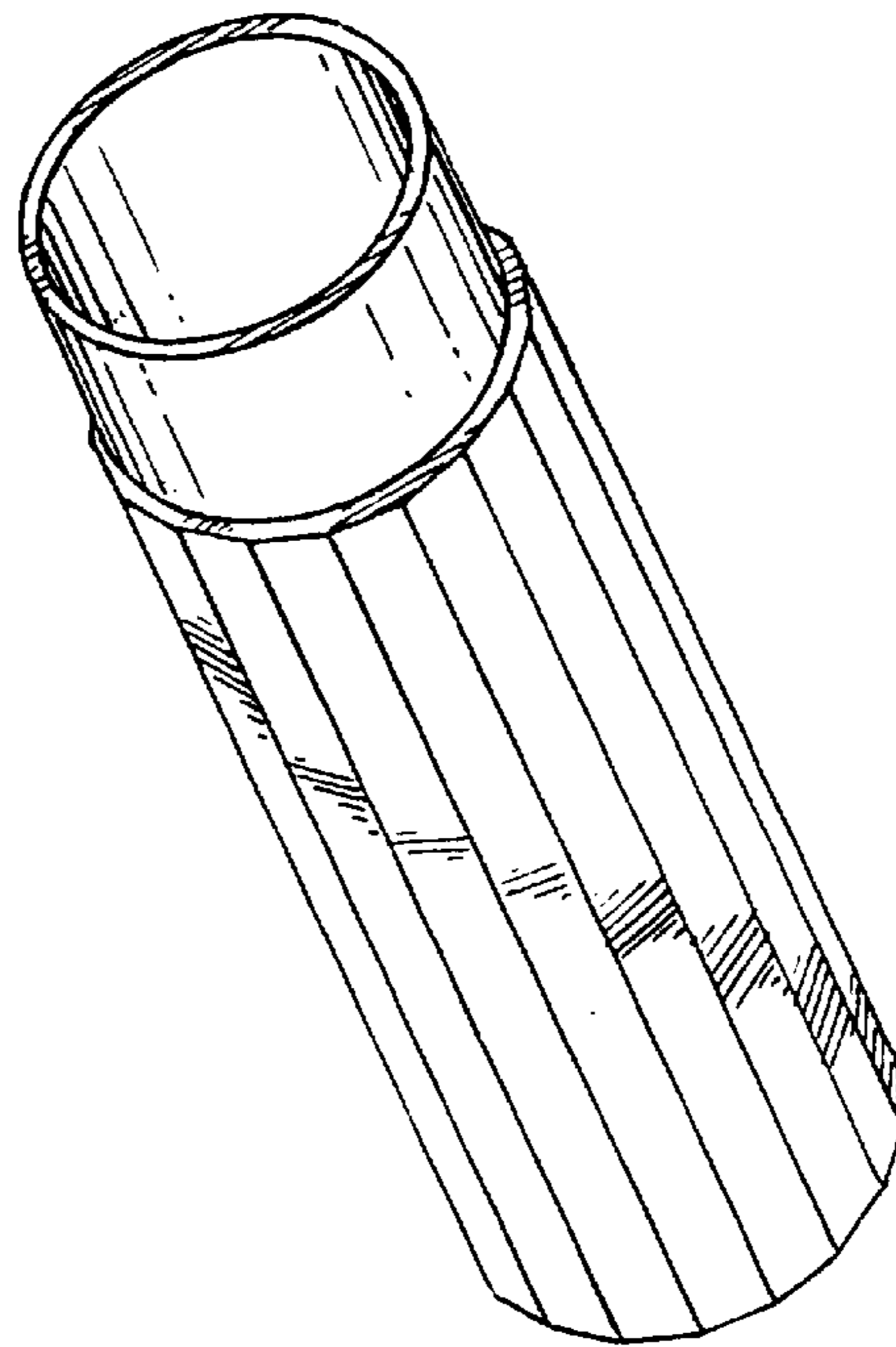


FIG. 3

