



US00D522877S

(12) **United States Design Patent**
Ludlow et al.

(10) **Patent No.:** **US D522,877 S**
(45) **Date of Patent:** **** Jun. 13, 2006**

(54) **DUAL DISPENSING TUBE**

2002/0162854 A1 11/2002 Slutsky

(76) Inventors: **Christopher W. Ludlow**, 6031 Don Ave., Riverbank, CA (US) 95367;
Denise S. Ludlow, 6031 Don Ave., Riverbank, CA (US) 95367

* cited by examiner

Primary Examiner—Stella Reid
Assistant Examiner—R C M

(**) Term: **14 Years**

(57) **CLAIM**

The ornamental design for a dual dispensing tube, as shown and described.

(21) Appl. No.: **29/231,885**

(22) Filed: **Jun. 13, 2005**

DESCRIPTION

(51) **LOC (8) Cl.** **09-01**

(52) **U.S. Cl.** **D9/695**

(58) **Field of Classification Search** D9/695,
D9/416, 447, 521, 696–699, 727–729; D3/300;
D24/110, 521; 222/92; 424/49

See application file for complete search history.

A contemporary and visually appealing dual dispensing tube that adds a different look to a bathroom. The tube has small circular opening at either long end for easy dispensing of toothpaste. The openings can be capped with either a threaded groove twist on cap, or a flip-top cap. This center of the tube is concave, so that the amount of toothpaste is larger toward the openings. The center makes either side of the tube exactly symmetrical to the other. The invention allows the user to squeeze the toothpaste out either end, which prevents the hassle of moving all the contents of the tube to one end.

(56) **References Cited**

U.S. PATENT DOCUMENTS

D199,506	S	*	11/1964	Alexander	D9/695
D200,738	S	*	3/1965	Scheindel et al.	D9/697
4,265,948	A	*	5/1981	Hayes et al.	222/92
5,421,488	A		6/1995	Ehrbar		
5,482,172	A		1/1996	Braddock		
D374,173	S	*	10/1996	Linner	D9/695
D398,239	S	*	9/1998	Bertolini et al.	D9/520
D414,104	S	*	9/1999	Klauke et al.	D9/695
6,126,923	A	*	10/2000	Burke et al.	424/49
6,253,958	B1		7/2001	Coletti		
2001/0035428	A1		11/2001	Shipilevsley		

FIG. 1 is a front view of a dual dispensing tube, showing our new design, depicting the narrower portion of the tube at the center;

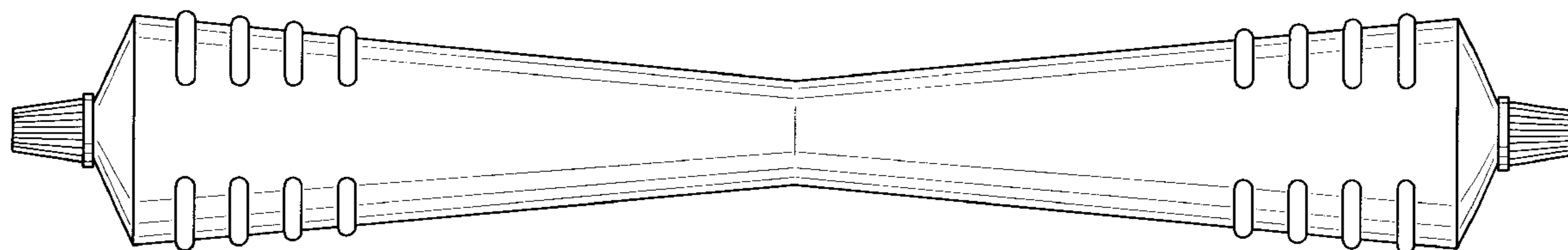
FIG. 2 is a left side perspective view thereof;

FIG. 3 is a right side perspective view thereof;

FIG. 4 is a top plan view thereof; and,

FIG. 5 is an isometric view thereof, depicting the symmetry of either side.

1 Claim, 3 Drawing Sheets



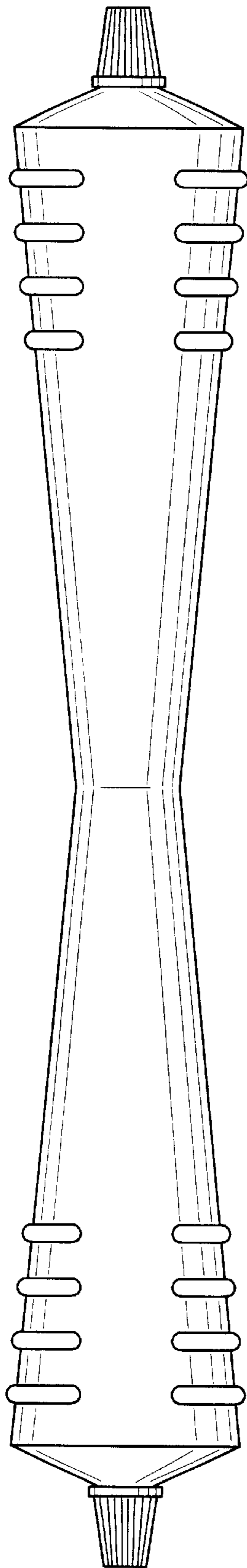


FIG. 1

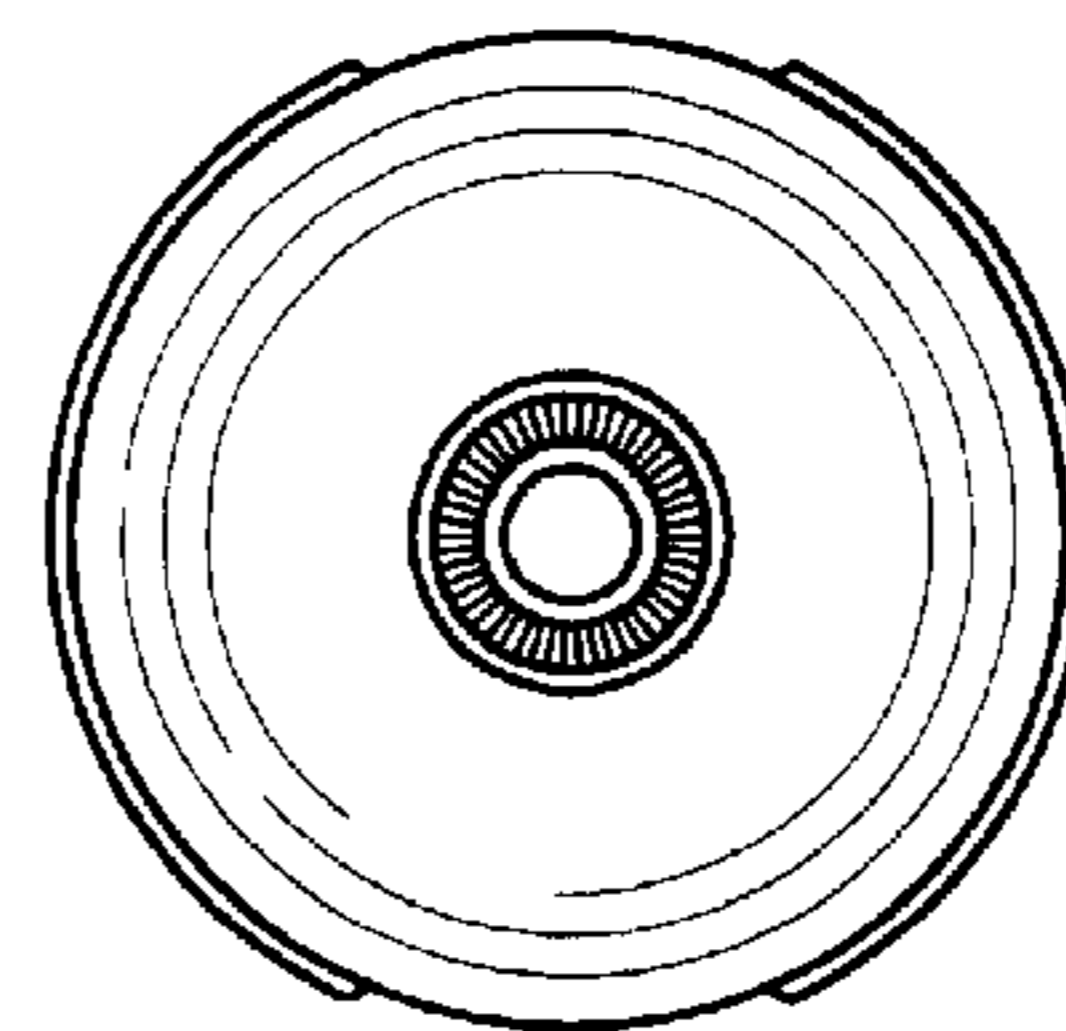


FIG. 2

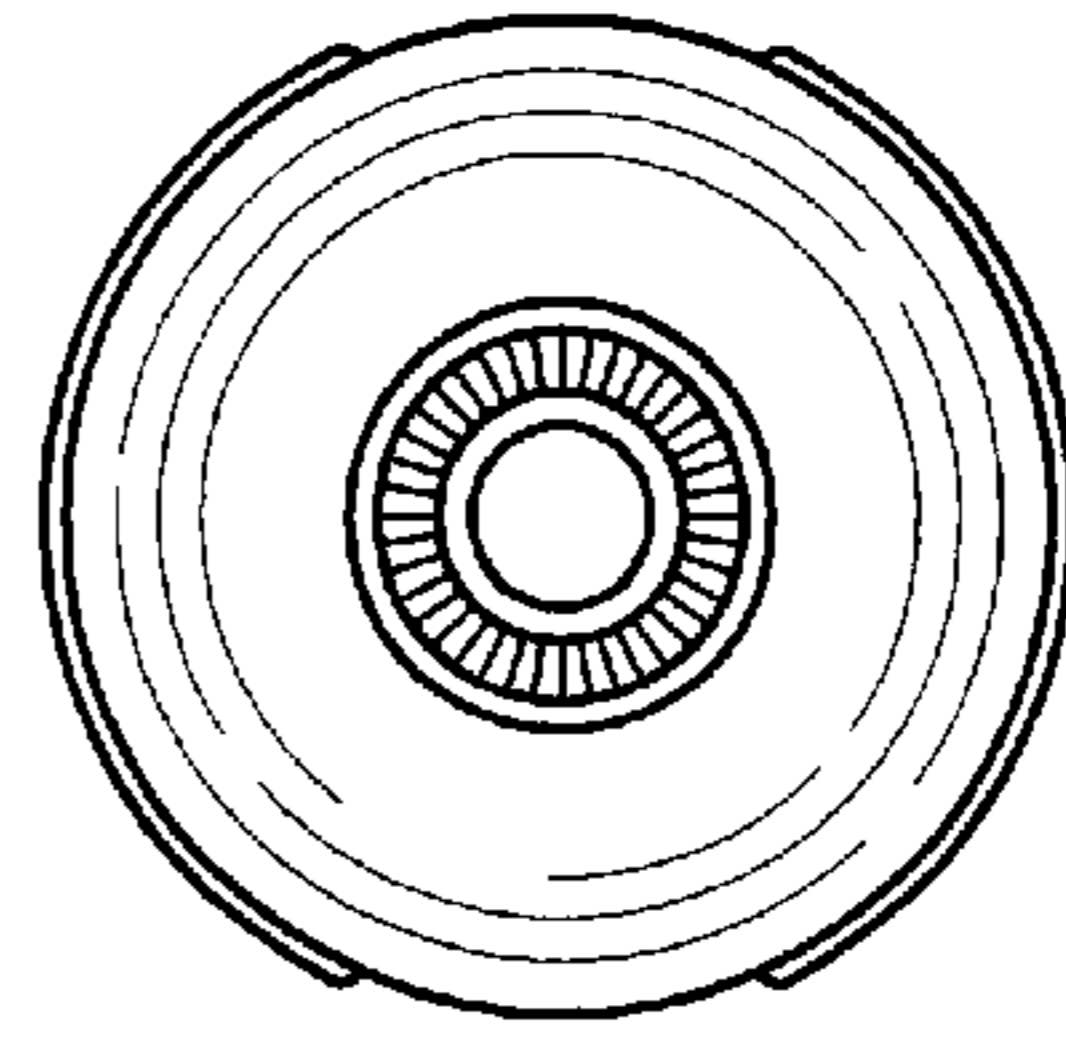


FIG. 3

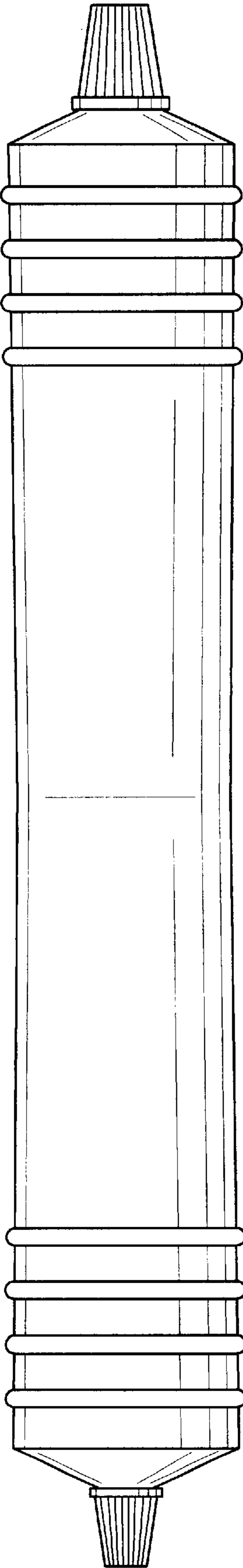


FIG.4

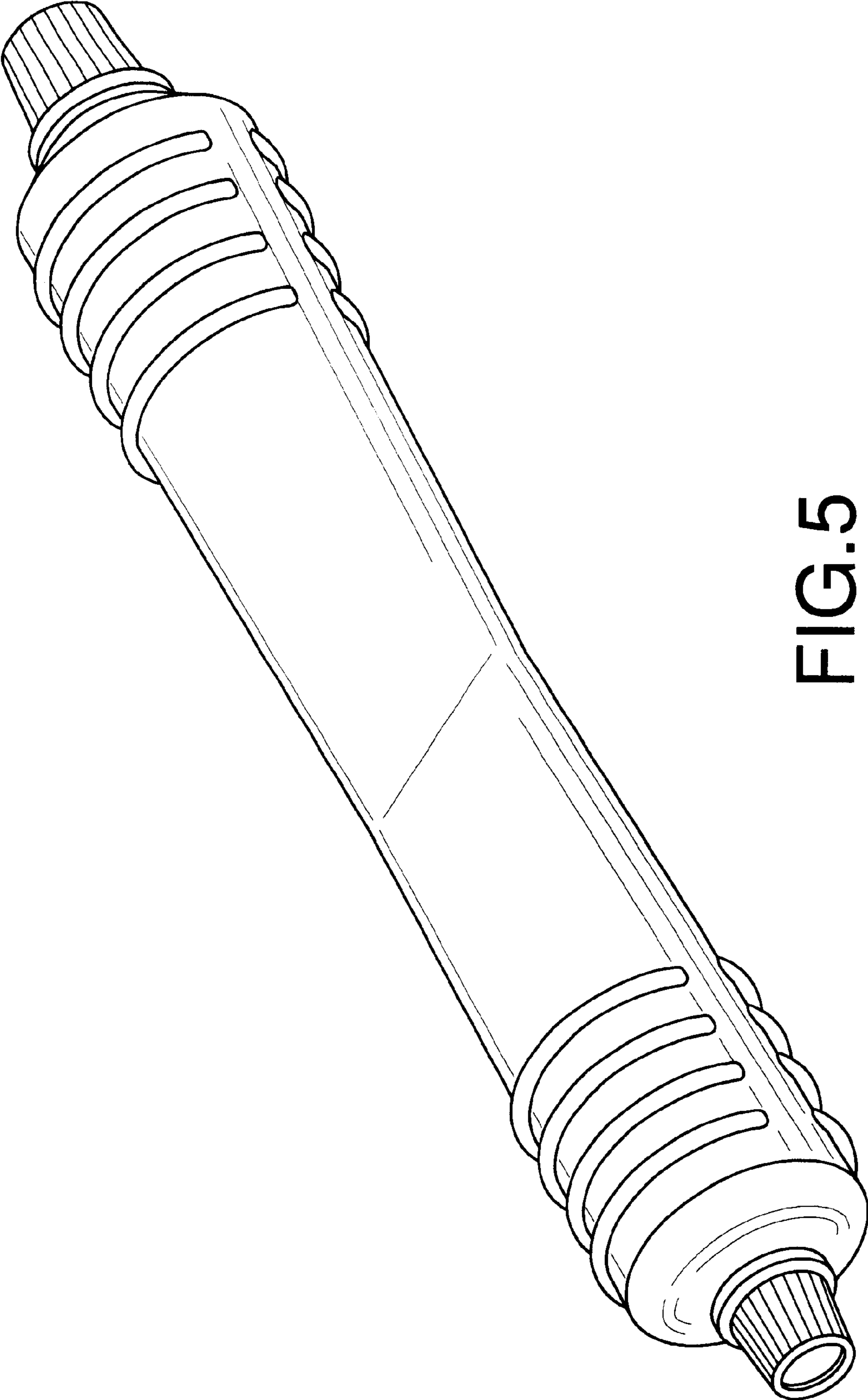


FIG. 5