



US00D522860S

(12) **United States Design Patent**  
**LaFortune**

(10) **Patent No.:** **US D522,860 S**  
(45) **Date of Patent:** **\*\* Jun. 13, 2006**

(54) **BEVERAGE CAN COVER AND SEAL COMBINATION**

(76) Inventor: **George Thomas LaFortune**, 3706 Country Club Dr., Long Beach, CA (US) 90807

(\*\*) Term: **14 Years**

(21) Appl. No.: **29/218,158**

(22) Filed: **Nov. 29, 2004**

(51) **LOC (8) Cl.** ..... **09-07**

(52) **U.S. Cl.** ..... **D9/449**

(58) **Field of Classification Search** ..... D9/454, D9/449, 447, 445, 439, 438, 435, 450; D7/638, D7/511, 510, 392, 392.1; D3/323; 220/270–271, 220/781, 575, 715; 215/254  
See application file for complete search history.

(56) **References Cited**

**U.S. PATENT DOCUMENTS**

2,839,229 A	6/1958	Scheswohl	
3,031,111 A	4/1962	Stull	
3,197,089 A	7/1965	Michael	
3,877,604 A *	4/1975	Brown	..... D9/450
4,054,205 A	10/1977	Blow, Jr. et al.	
D256,417 S *	8/1980	Greger	..... D7/392.1
D263,283 S *	3/1982	Ronayne	..... D9/449
4,347,946 A	9/1982	Nichols	
4,449,640 A	5/1984	Finkelstein	
4,579,257 A	4/1986	Brandlein	
4,679,702 A	7/1987	Maccarone et al.	
4,699,290 A	10/1987	Adams	
4,703,873 A	11/1987	Geren	
4,717,039 A	1/1988	Ayyoubi	
4,752,016 A	6/1988	Eads	
4,790,444 A	12/1988	Terzi	
4,869,389 A	9/1989	Cerrone, Jr.	
4,938,379 A	7/1990	Kellner	

D315,872 S	4/1991	Bixler	
D346,718 S	5/1994	Timmermans	
6,073,797 A	6/2000	Barous	
6,450,358 B1	9/2002	Berro	
6,679,397 B1	1/2004	Smith et al.	
D486,734 S *	2/2004	Weber	..... D9/445
2003/0089714 A1	5/2003	Dart et al.	

**FOREIGN PATENT DOCUMENTS**

WO WO 2005/000687 A2 1/2005

\* cited by examiner

*Primary Examiner*—Robert M. Spear

*Assistant Examiner*—Susan Bennett Hattan

(74) *Attorney, Agent, or Firm*—Fulwider Patton LLP

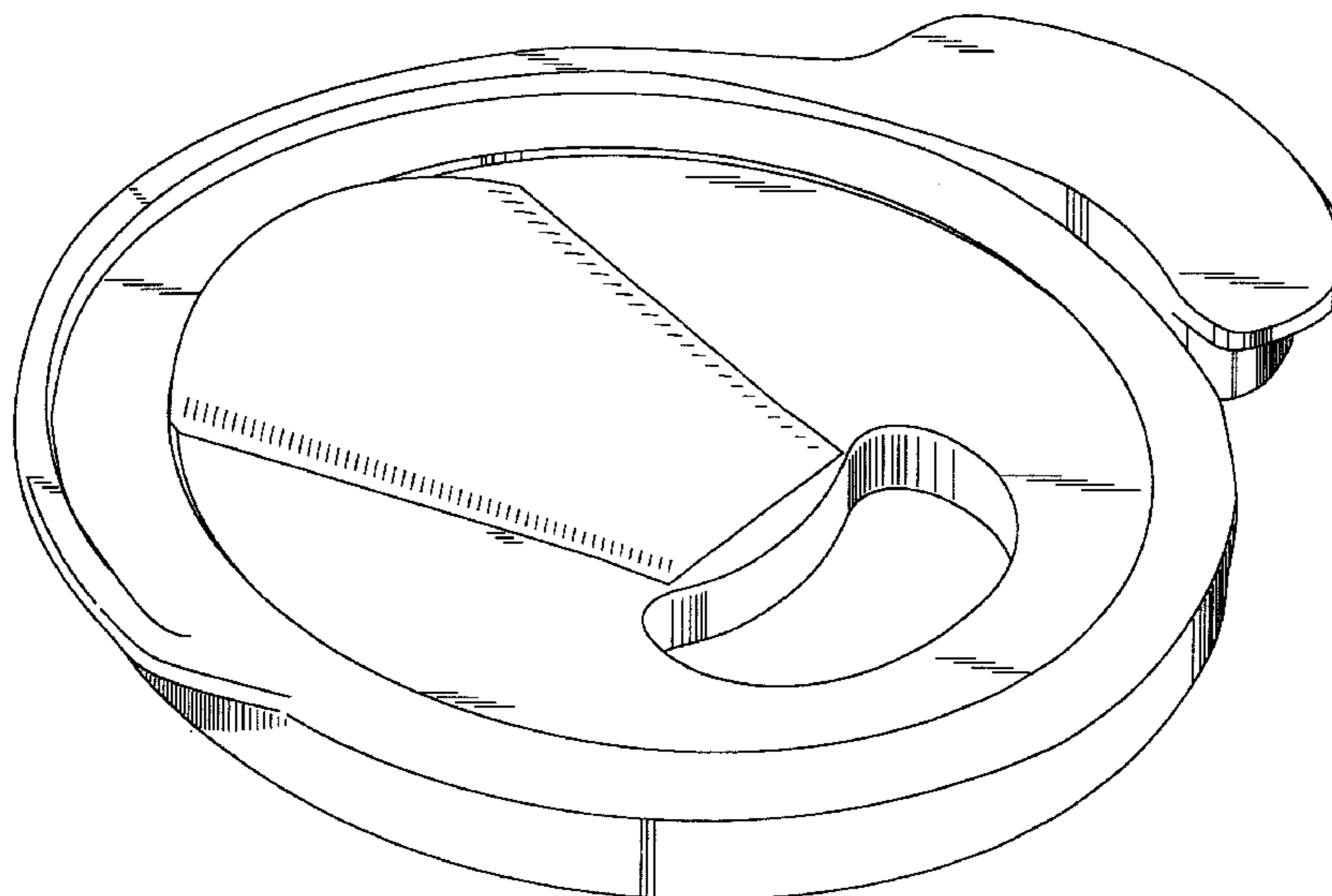
(57) **CLAIM**

The ornamental design for a beverage can cover and seal combination, as shown and described.

**DESCRIPTION**

FIG. 1 is a top view of a beverage can cover & seal combination showing my new design;  
 FIG. 2 is an elevated, perspective view of the beverage can cover & seal combination;  
 FIG. 3 is a bottom view of the beverage can cover & seal combination;  
 FIG. 4 is an elevated, perspective view, rotated 90°, of the beverage can cover & seal combination;  
 FIG. 5 is an elevated, perspective view of the underside of the beverage can cover & seal combination;  
 FIG. 6 is a perspective view in cross-section taken along lines 6—6 of FIG. 3 of the beverage can cover & seal combination; and,  
 FIG. 7 is a perspective view in cross-section of the beverage can cover & seal combination taken along lines 7—7 of FIG. 3.

**1 Claim, 7 Drawing Sheets**



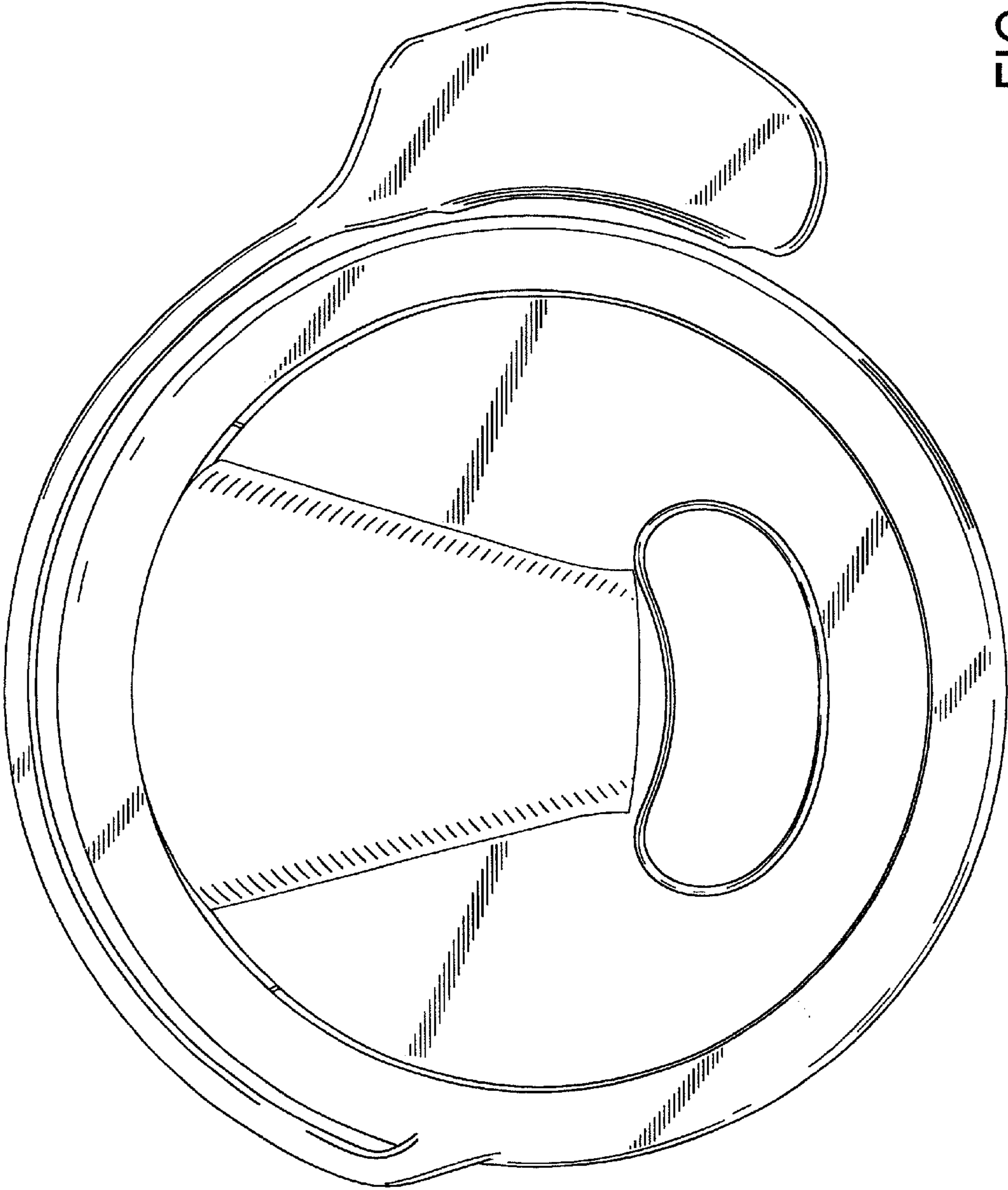


FIG. 1

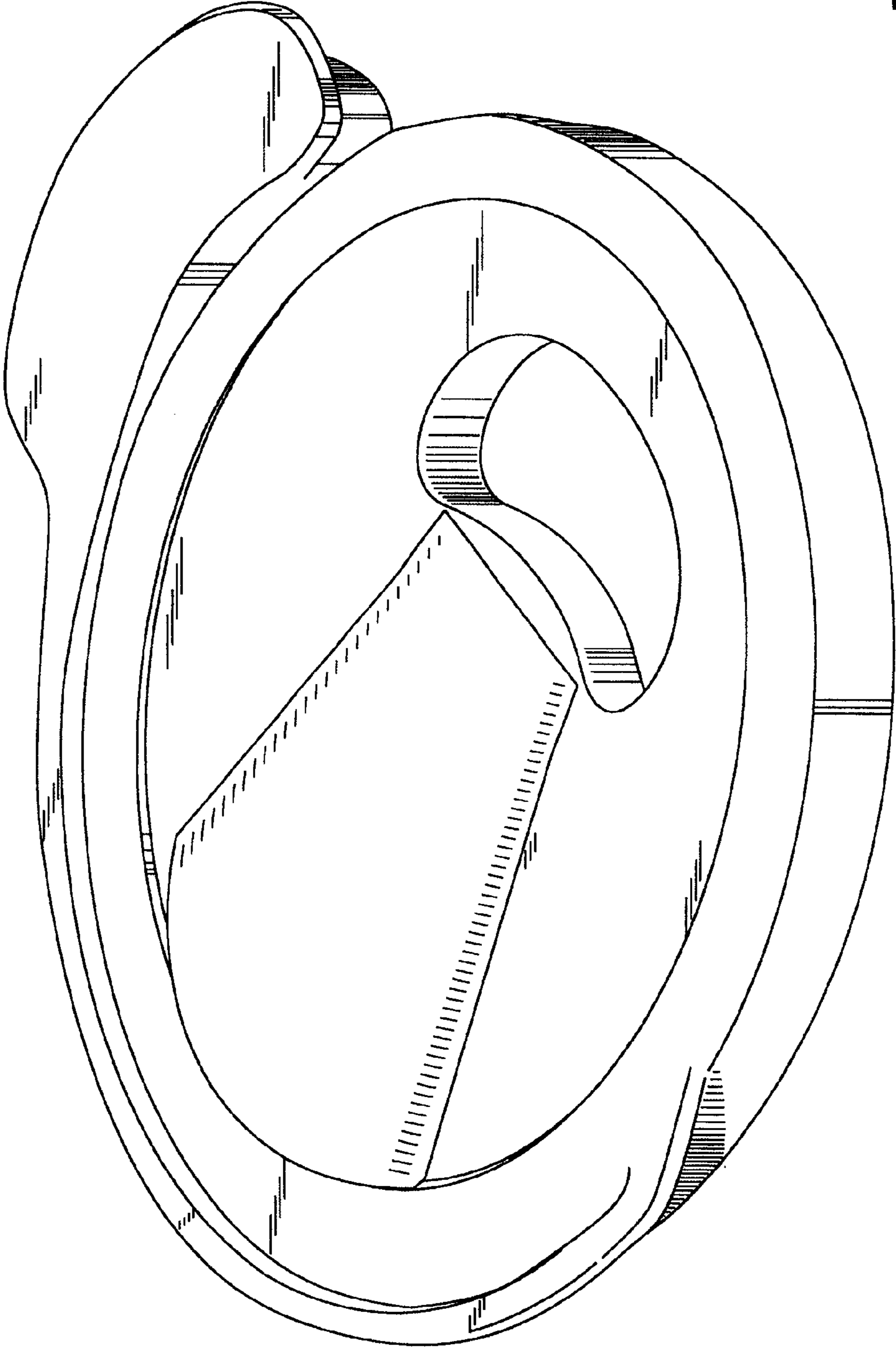


FIG. 2

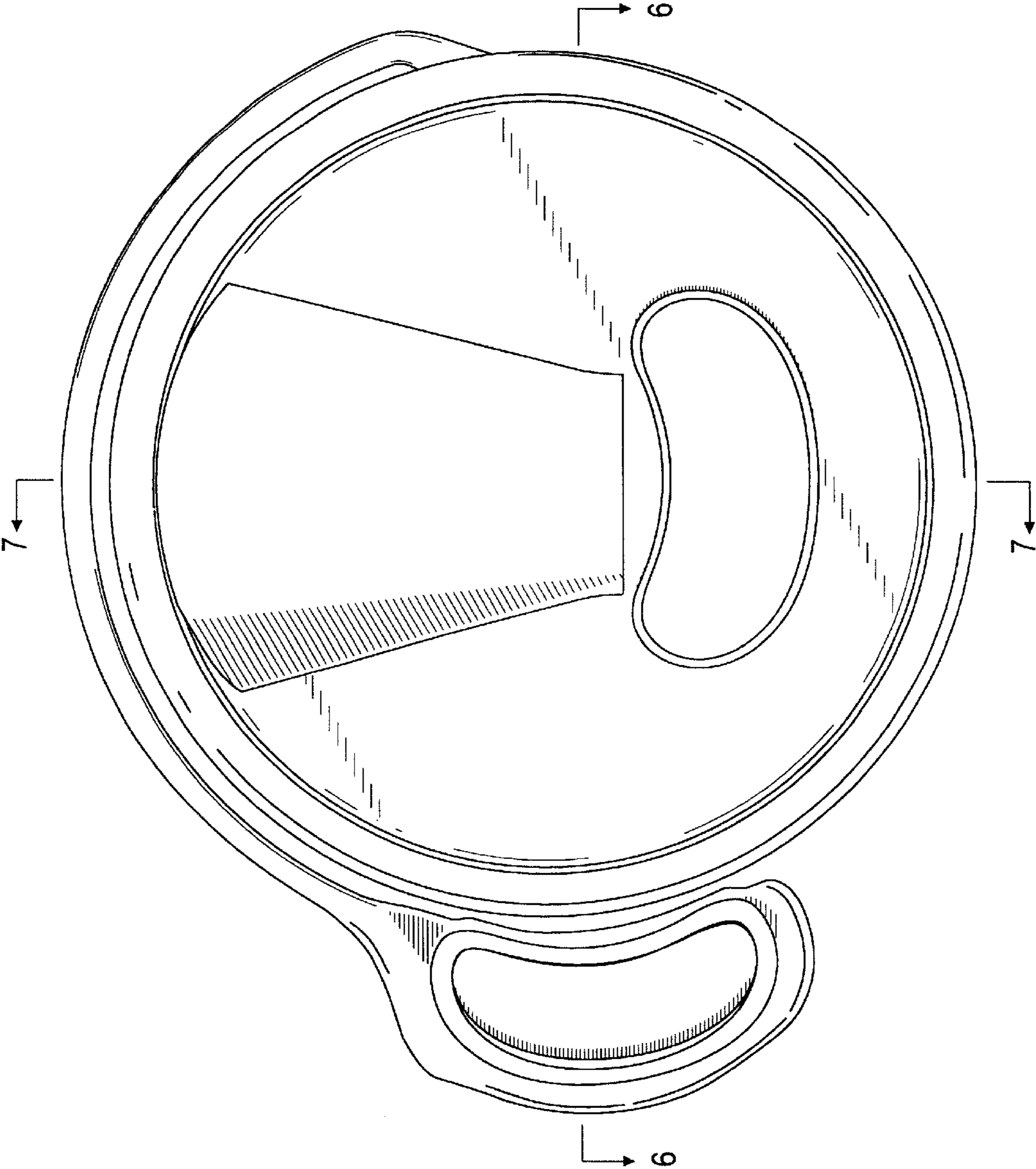


FIG. 3

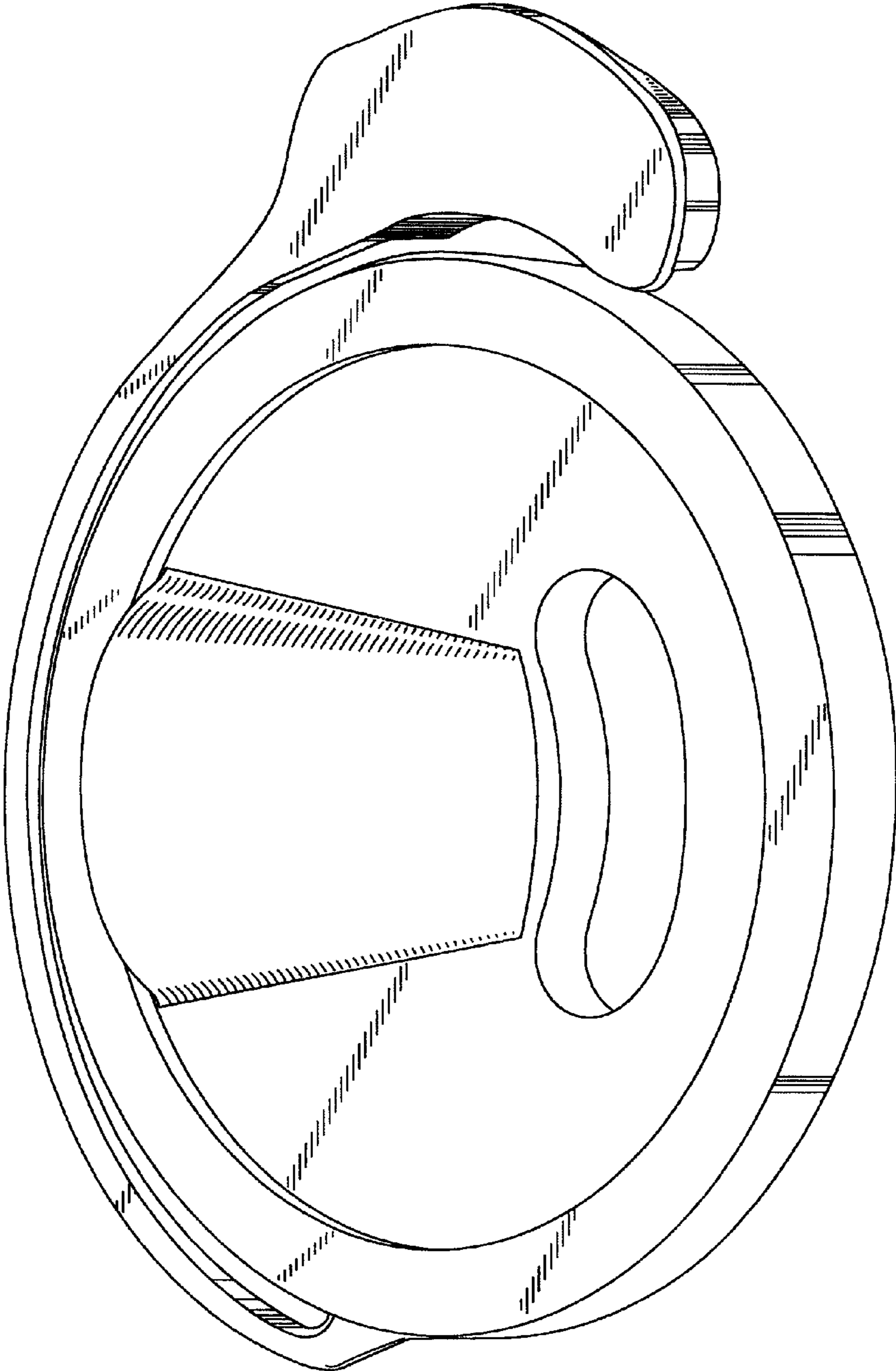
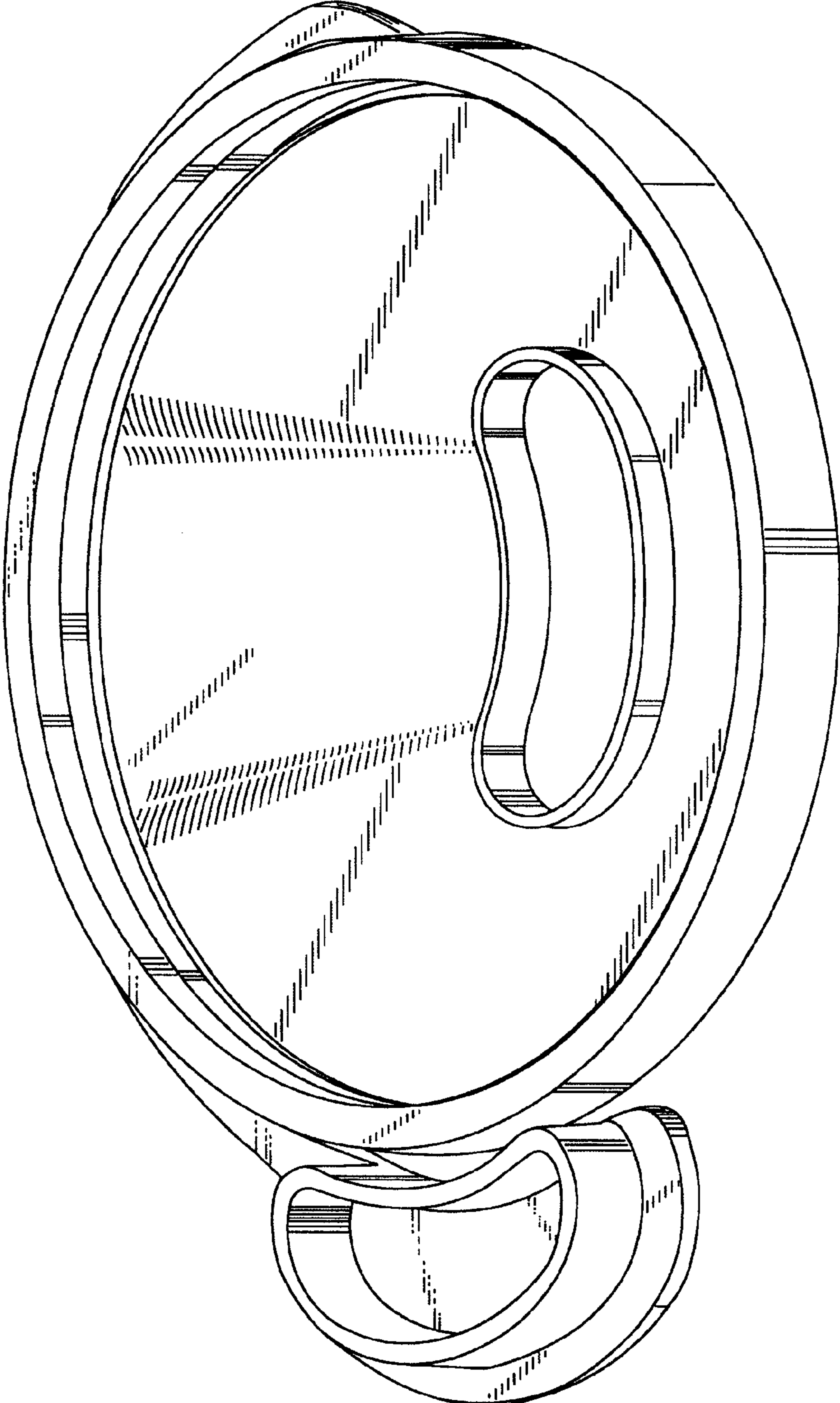


FIG. 4

FIG. 5



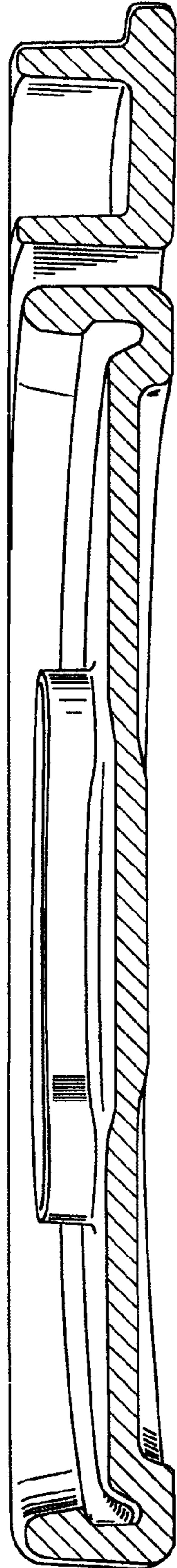


FIG. 6

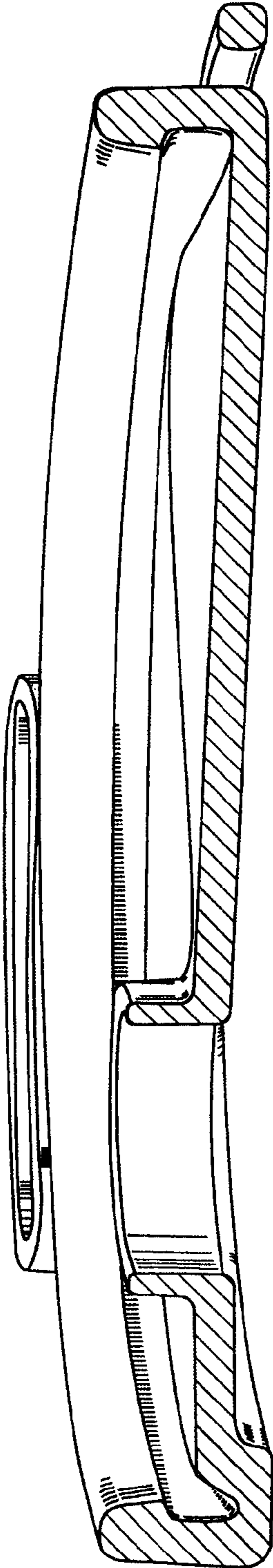


FIG. 7