



US00D522859S

(12) **United States Design Patent**  
**Lukan**

(10) **Patent No.:** **US D522,859 S**

(45) **Date of Patent:** **\*\* Jun. 13, 2006**

- (54) **CAP**
- (75) Inventor: **Sean Lukan**, Milford, CT (US)
- (73) Assignee: **Eveready Battery Company, Inc.**, St. Louis, MO (US)
- (\*\*) Term: **14 Years**
- (21) Appl. No.: **29/233,930**
- (22) Filed: **Jul. 11, 2005**
- (51) **LOC (8) Cl.** ..... **09-01**
- (52) **U.S. Cl.** ..... **D9/445**
- (58) **Field of Classification Search** ..... D9/726,  
D9/723, 529, 503, 500, 454, 447, 445, 444,  
D9/435, 434; D7/392.1; D4/137; D28/88,  
D28/85, 82, 76, 7, 58; D19/57, 43; 220/798;  
215/382, 322, 316, 317, 318, 307, 276, 200  
See application file for complete search history.

- D418,754 S \* 1/2000 Hutchinson et al. .... D9/445
- 6,030,138 A \* 2/2000 Losier ..... 401/266
- D461,718 S \* 8/2002 Brozell ..... D9/529
- D475,281 S \* 6/2003 Cummings ..... D9/729
- D478,004 S \* 8/2003 Cummings ..... D9/435
- 6,779,689 B1 \* 8/2004 Flaig et al. .... 222/182
- D511,094 S \* 11/2005 Schuller et al. .... D9/444

\* cited by examiner

*Primary Examiner*—Robert M. Spear  
*Assistant Examiner*—Susan Bennett Hattan  
(74) *Attorney, Agent, or Firm*—Michaud-Duffy Group LLP

(57) **CLAIM**

We claim the new, original and ornamental design for cap, as shown and described.

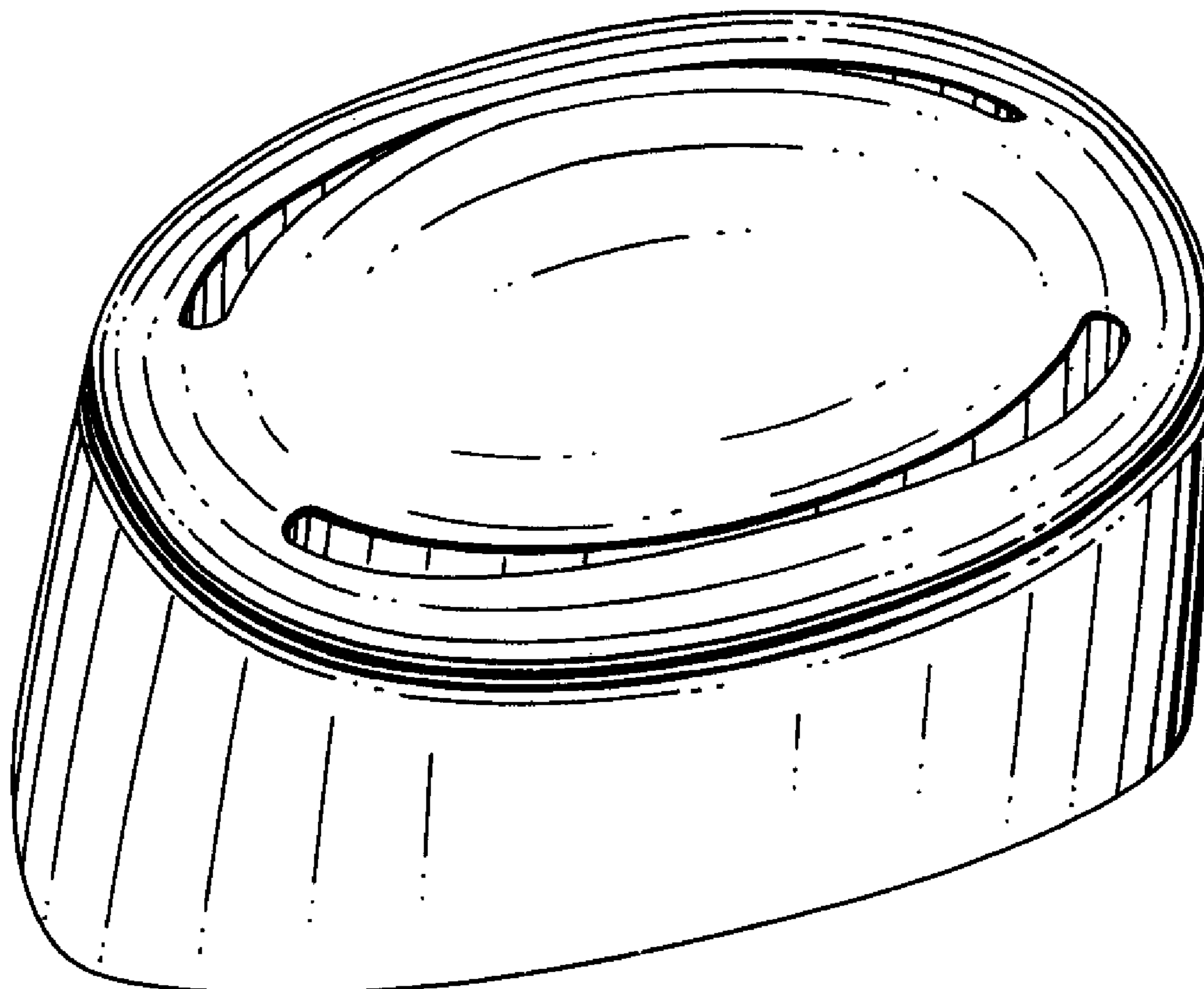
**DESCRIPTION**

FIG. 1 is a perspective view of a cap showing my new design.  
FIG. 2 is a front view of the cap.  
FIG. 3 is a top view of the cap; and,  
FIG. 4 is a side view of the cap.

(56) **References Cited**  
U.S. PATENT DOCUMENTS

- 5,833,382 A \* 11/1998 Jenks et al. .... 401/82
- 5,996,850 A \* 12/1999 Morali et al. .... 222/173

**1 Claim, 2 Drawing Sheets**



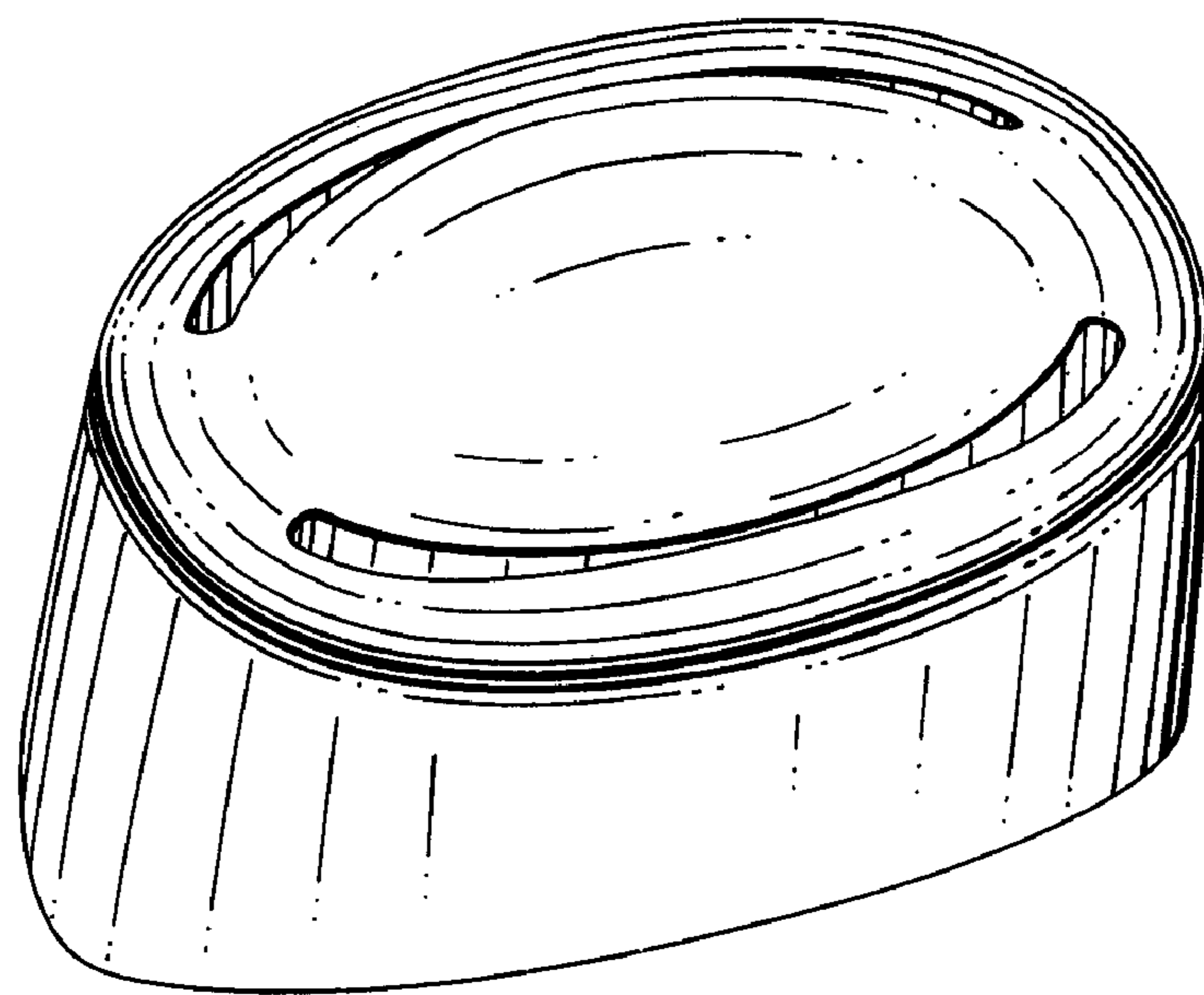


FIG. 1

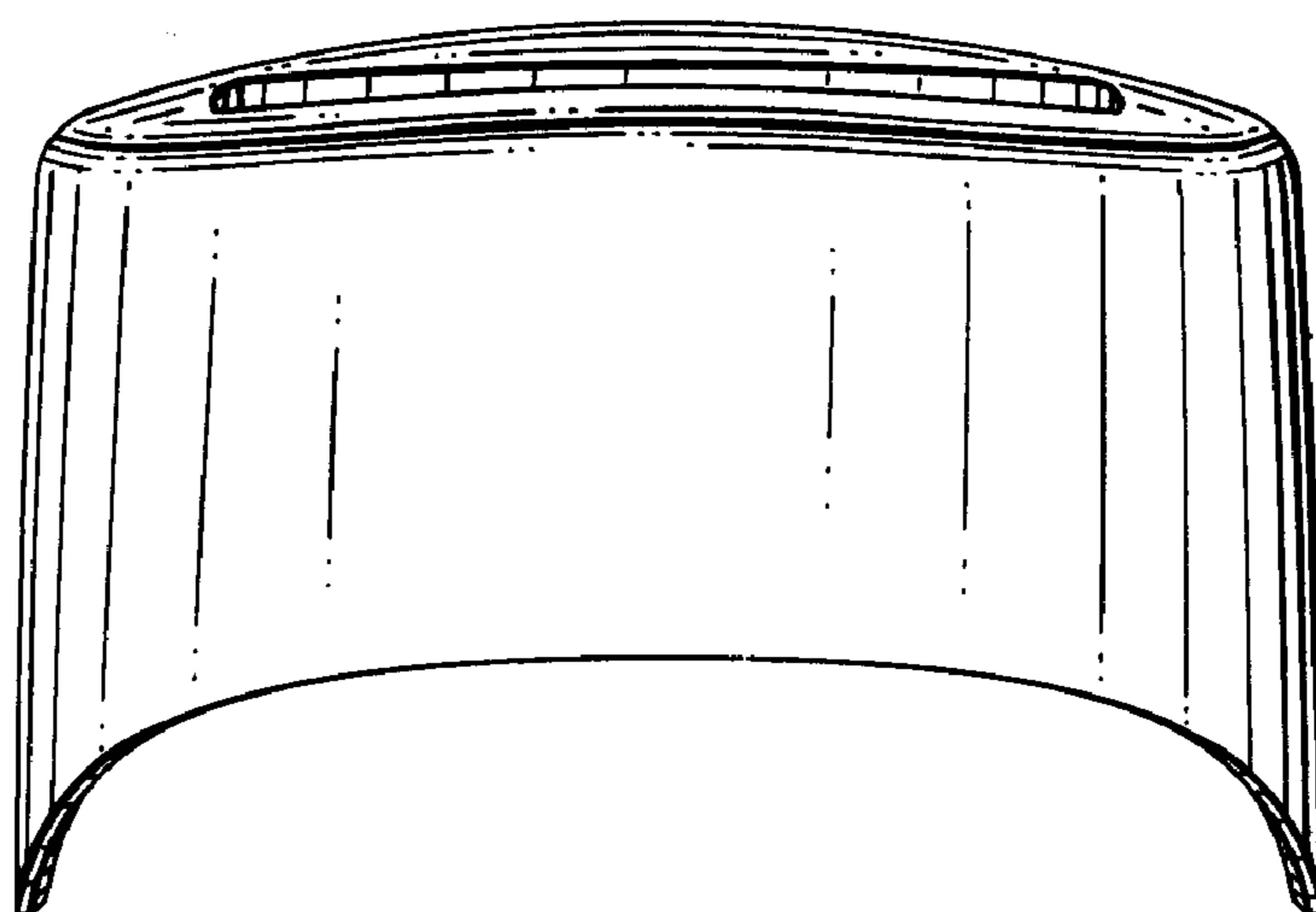
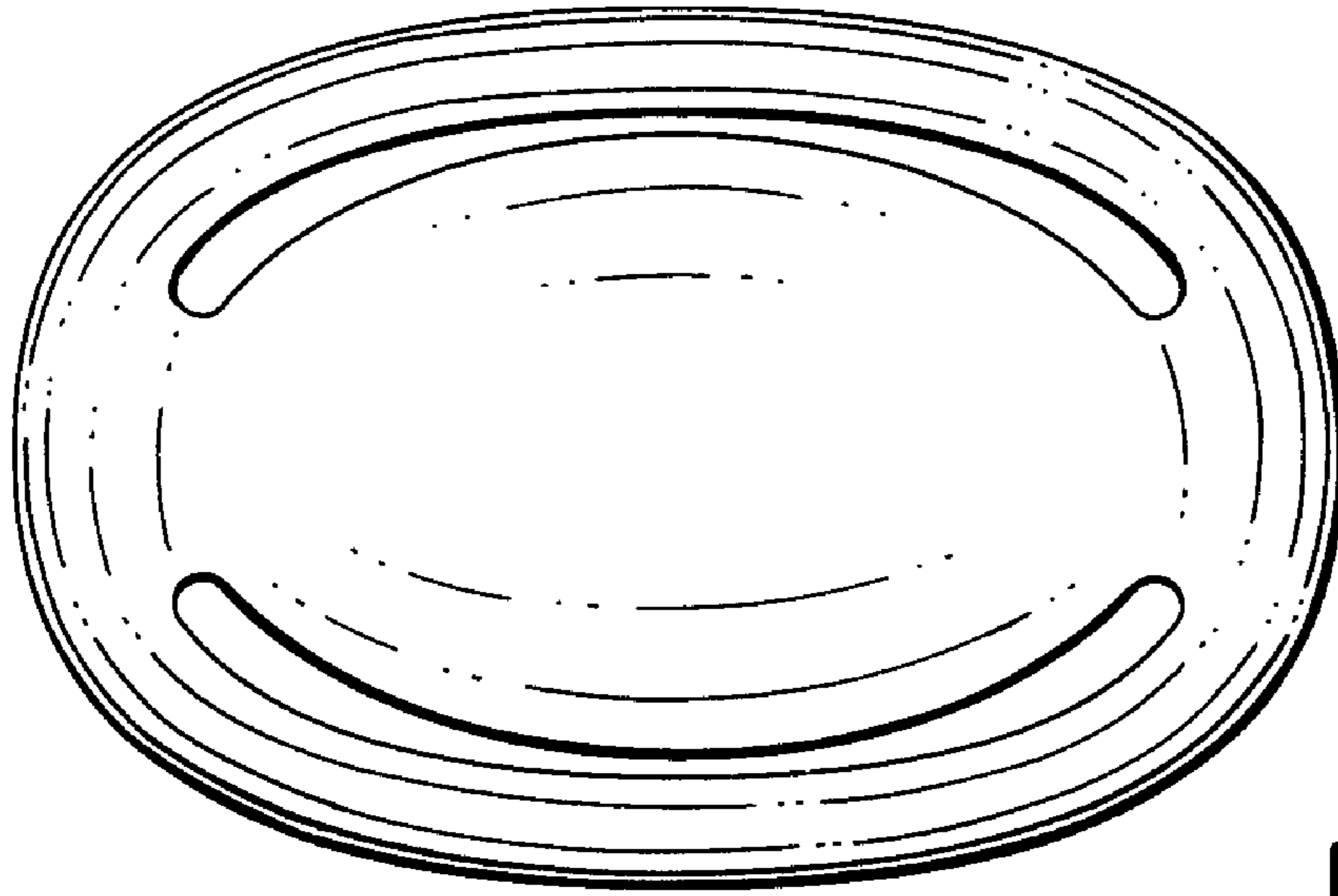
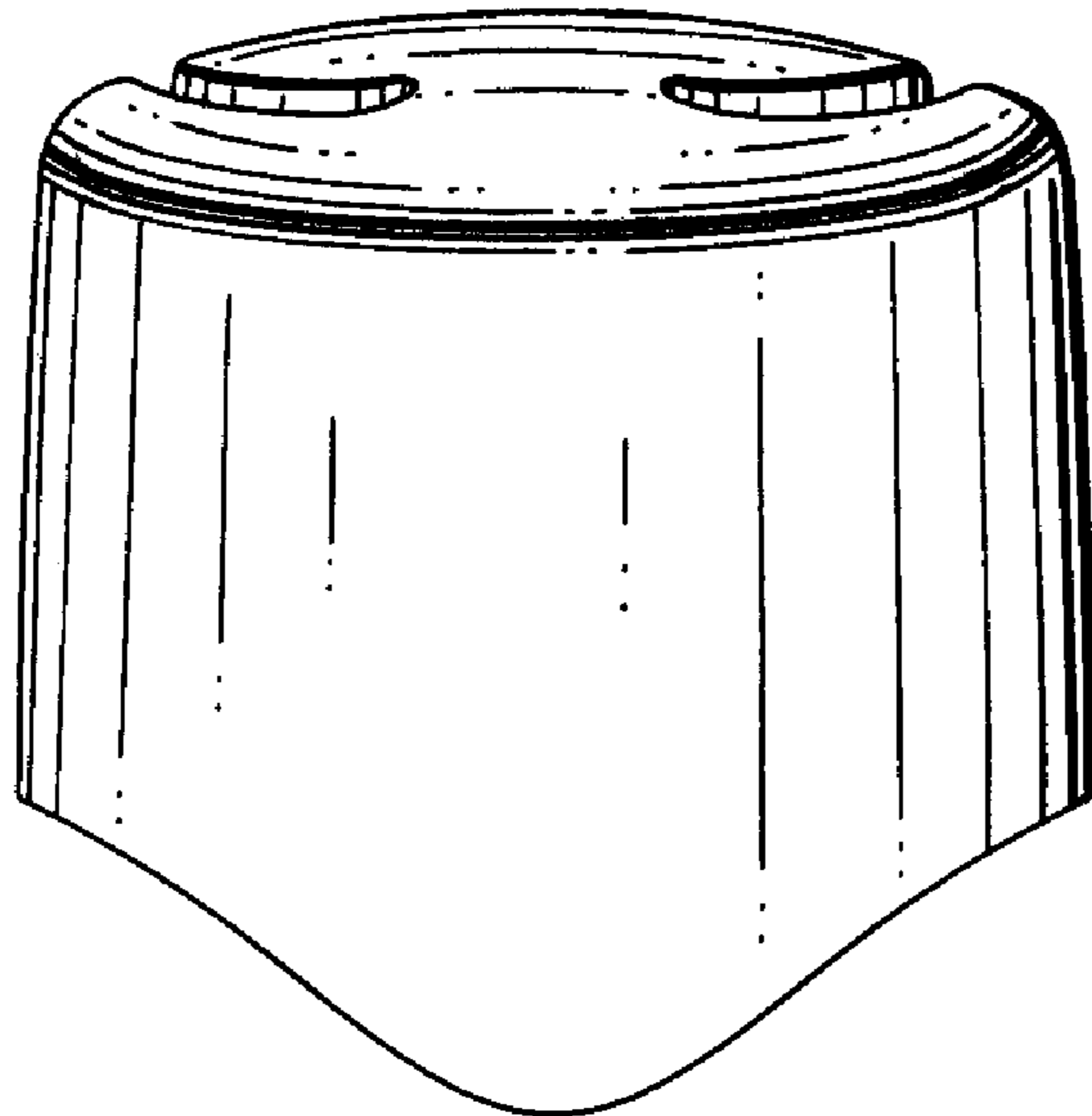


FIG. 2



**FIG. 3**



**FIG. 4**