



US00D522855S

(12) **United States Design Patent**  
**Liebe et al.**

(10) **Patent No.:** **US D522,855 S**  
(45) **Date of Patent:** **\*\* Jun. 13, 2006**

(54) **SLIDE LID CONTAINER**  
(75) Inventors: **Thomas Liebe**, Thun (CH); **Heinz Reinhard**, Schnottwil (CH)  
(73) Assignee: **Hoffman Neopac AG**, Thun (CH)  
(\*\*) Term: **14 Years**

D446,718 S \* 8/2001 Anderson ..... D9/422  
D465,729 S 11/2002 Nishimura ..... D9/422  
D479,462 S 9/2003 Chan ..... D9/422  
6,637,437 B1 10/2003 Hungerford et al. .... 128/898  
D484,409 S \* 12/2003 Haggerty et al. .... D9/432  
D485,749 S 1/2004 Zaksenberg et al. .... D9/338  
D498,139 S 11/2004 Haggerty et al. .... D9/417  
D507,968 S 8/2005 Dixon et al. .... D9/422  
D508,312 S \* 8/2005 Roche et al. .... D3/203.2

(21) Appl. No.: **29/234,706**

\* cited by examiner

(22) Filed: **Jul. 21, 2005**

*Primary Examiner*—Stella Reid  
*Assistant Examiner*—Derrick Holland

(30) **Foreign Application Priority Data**

(74) *Attorney, Agent, or Firm*—Gifford, Krass, Groh, Sprinkle, Anderson & Citkowski, P.C.

Jan. 24, 2005 (EP) ..... 000283403

(51) **LOC (8) Cl.** ..... **09-03**

(52) **U.S. Cl.** ..... **D9/426**

(58) **Field of Classification Search** ..... D9/426,  
D9/420, 423, 428; D3/20, 203; 220/345.1,  
220/345.2; 206/540, 562, 776

See application file for complete search history.

(57) **CLAIM**

The ornamental design for a slide lid container, as shown and described.

**DESCRIPTION**

FIG. 1 is a perspective view of a slide lid container, showing my new design;

FIG. 2 is a perspective view thereof, in an open position;

FIG. 3 is a top plan view in a closed position;

FIG. 4 is a bottom plan view thereof;

FIG. 5 is a front view thereof;

FIG. 6 is a left side view thereof; and,

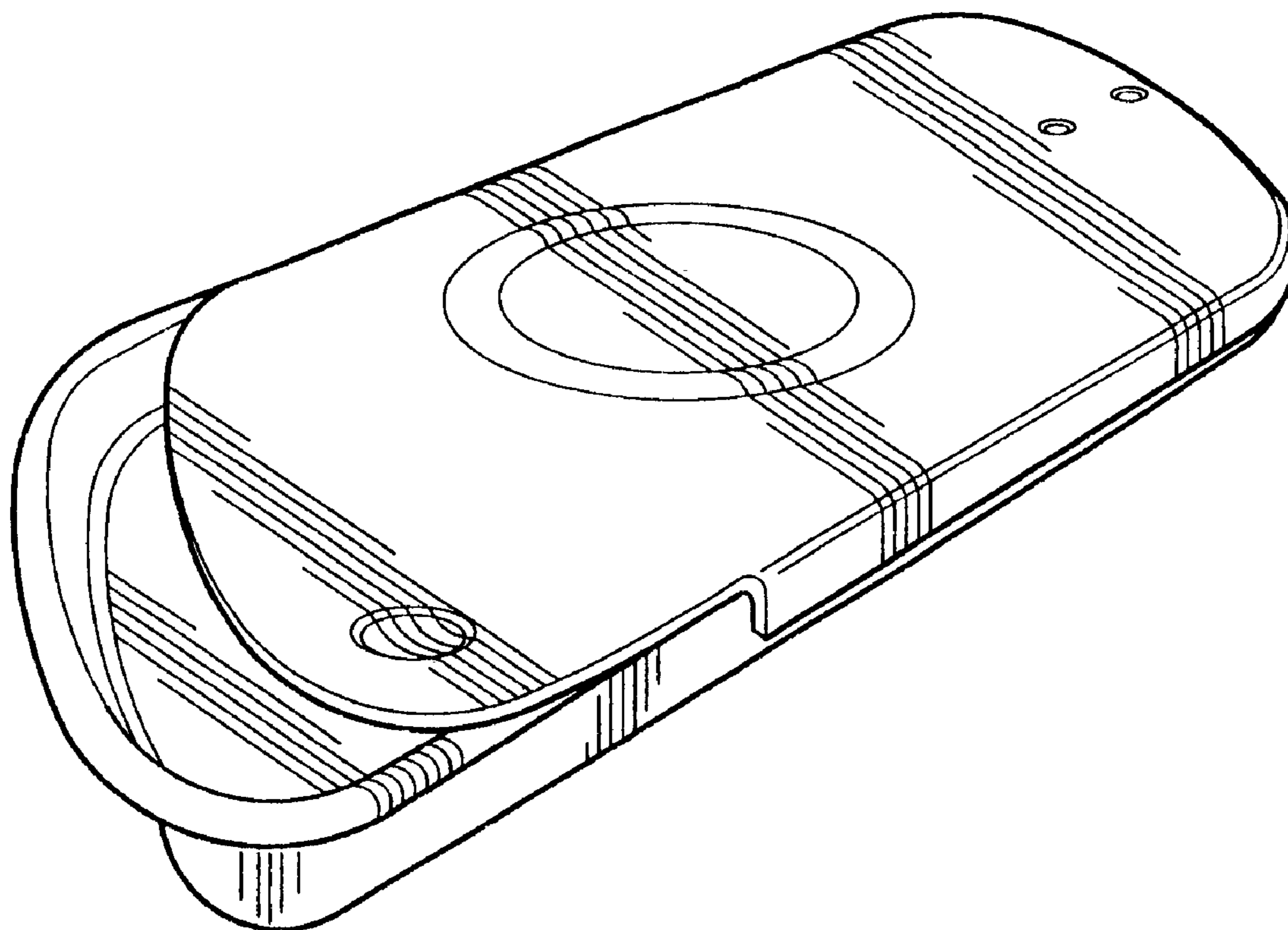
FIG. 7 is a right side view thereof.

(56) **References Cited**

**U.S. PATENT DOCUMENTS**

1,988,134 A 1/1935 Nitardy ..... 206/42  
2,295,747 A \* 9/1942 Mills ..... 220/351  
D199,819 S 12/1964 Palson ..... D58/12  
D341,778 S 11/1993 D'Amico et al. .... D9/417  
5,878,887 A 3/1999 Parker et al. .... 206/528  
D407,972 S 4/1999 Hilton ..... D9/422

**1 Claim, 2 Drawing Sheets**



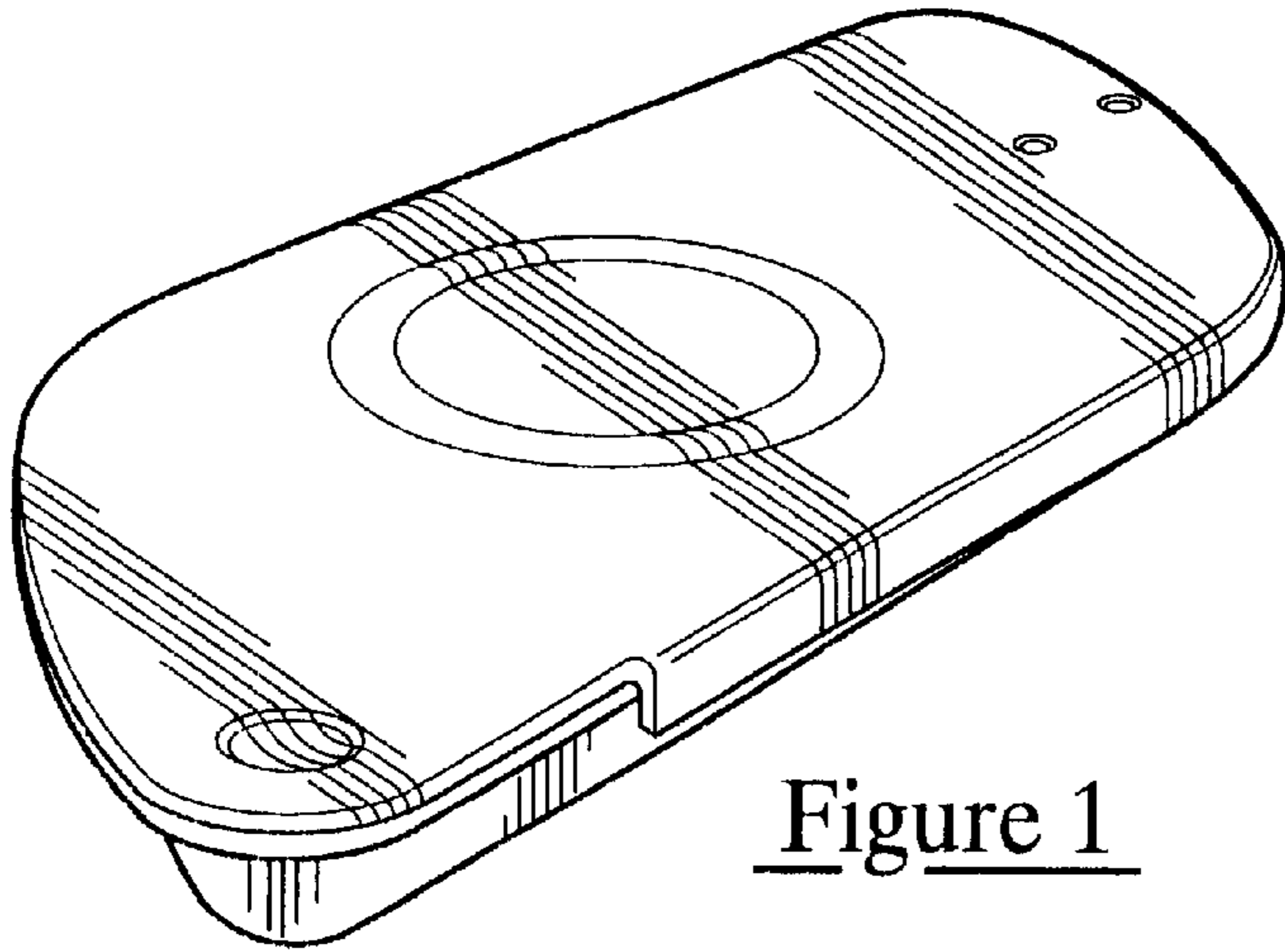


Figure 1

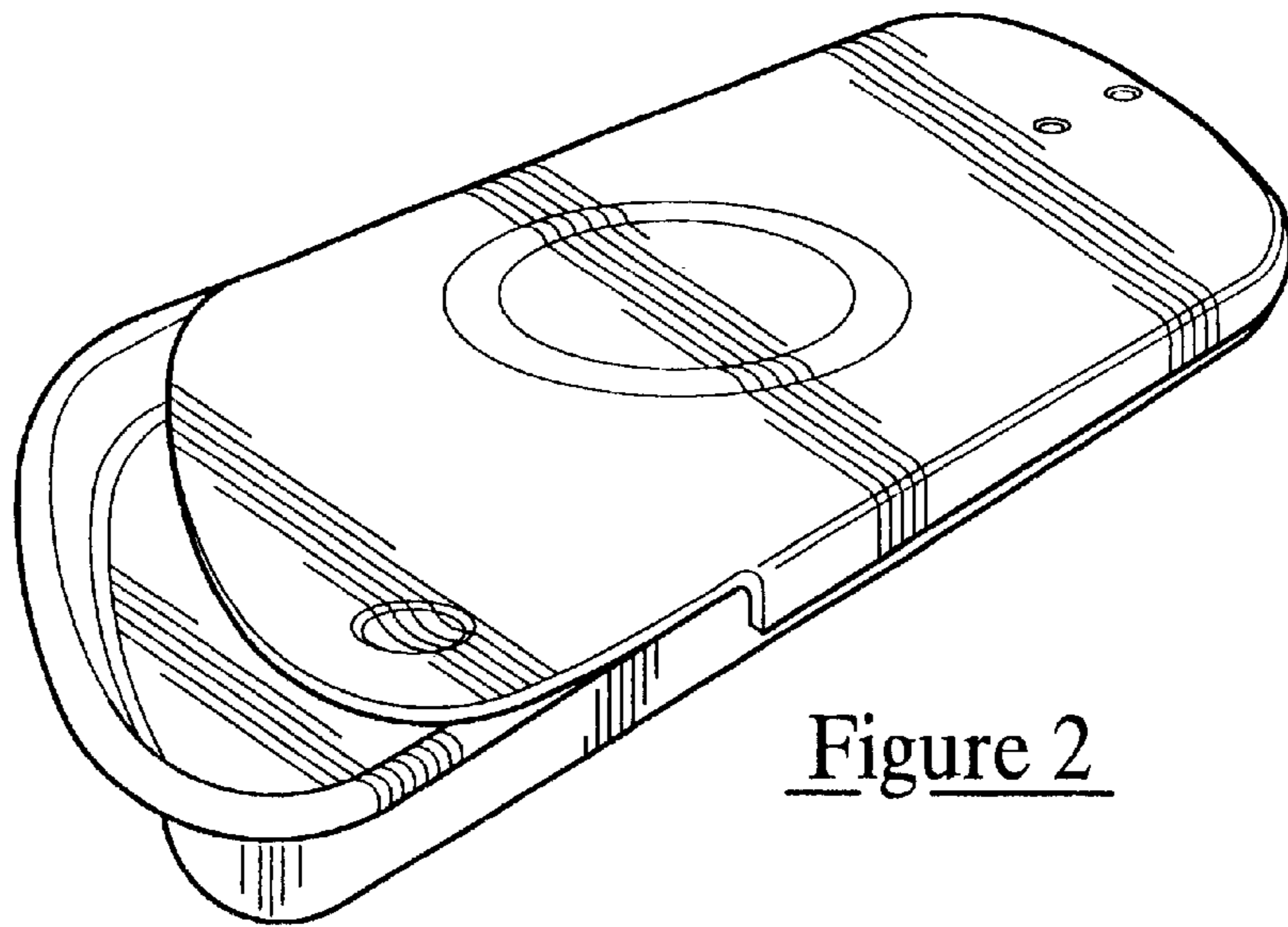


Figure 2

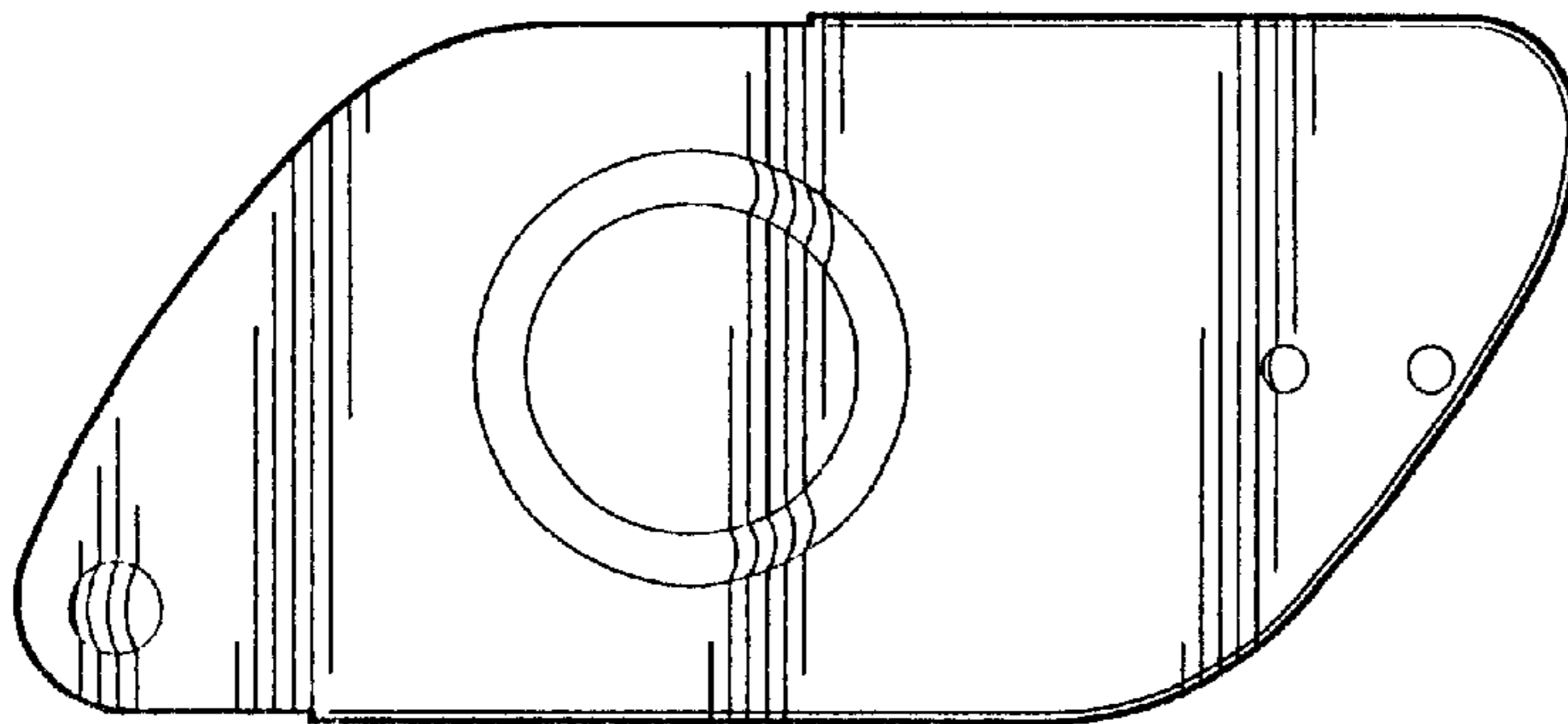


Figure 3

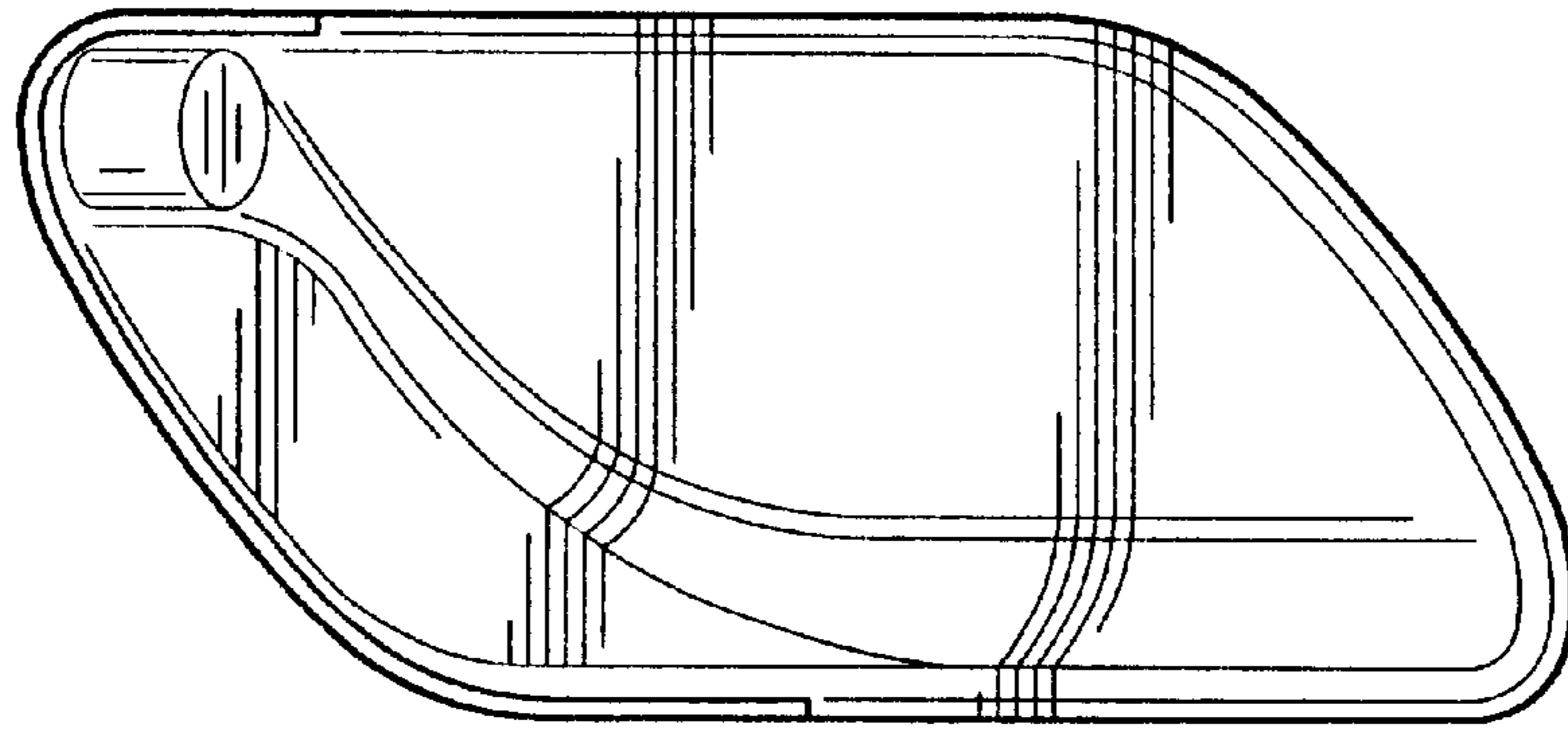


Figure 4

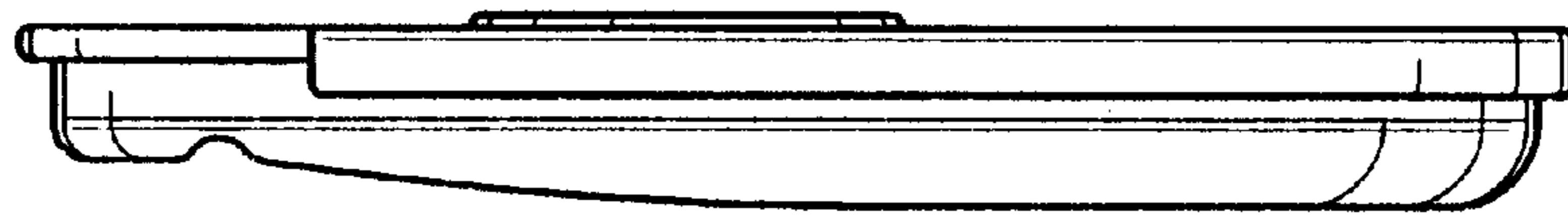


Figure 5



Figure 6



Figure 7