



US00D522852S

(12) **United States Design Patent**
Nawrocki

(10) **Patent No.:** **US D522,852 S**
(45) **Date of Patent:** **** Jun. 13, 2006**

(54) **DOVETAIL RETAINER CLIP**
(75) Inventor: **John Richard Nawrocki**, Ocala, FL
(US)
(73) Assignee: **Clairson, Inc.**, Newark, DE (US)
(**) Term: **14 Years**

5,829,103 A * 11/1998 Allen 24/11 R
6,481,679 B1 * 11/2002 Bennett et al.
6,585,204 B1 * 7/2003 Haertzen
6,644,483 B1 * 11/2003 Lai
6,702,128 B1 * 3/2004 Winig et al.
6,915,913 B1 * 7/2005 Cardinell
D510,019 S * 9/2005 Davis D8/395

FOREIGN PATENT DOCUMENTS

EP 0 365 197 * 4/1990

* cited by examiner

(21) Appl. No.: **29/235,073**
(22) Filed: **Jul. 27, 2005**

(51) **LOC (8) Cl.** **08-08**
(52) **U.S. Cl.** **D8/395**
(58) **Field of Classification Search** D8/356,
D8/371, 394-396, 499, 53, 100, 365; D12/51;
D19/65, 90; D28/39, 40, 42; 24/546, 563,
24/327, 334, DIG. 8, DIG. 9, DIG. 13, DIG. 28;
248/74.2, 300, 301, 316.7, 229.26
See application file for complete search history.

Primary Examiner—Louis S. Zarfaz
Assistant Examiner—John Windmuller
(74) *Attorney, Agent, or Firm*—Harness, Dickey & Pierce,
P.L.C.

(57) **CLAIM**

The ornamental design for a dovetail retainer clip, as shown and described.

(56) **References Cited**

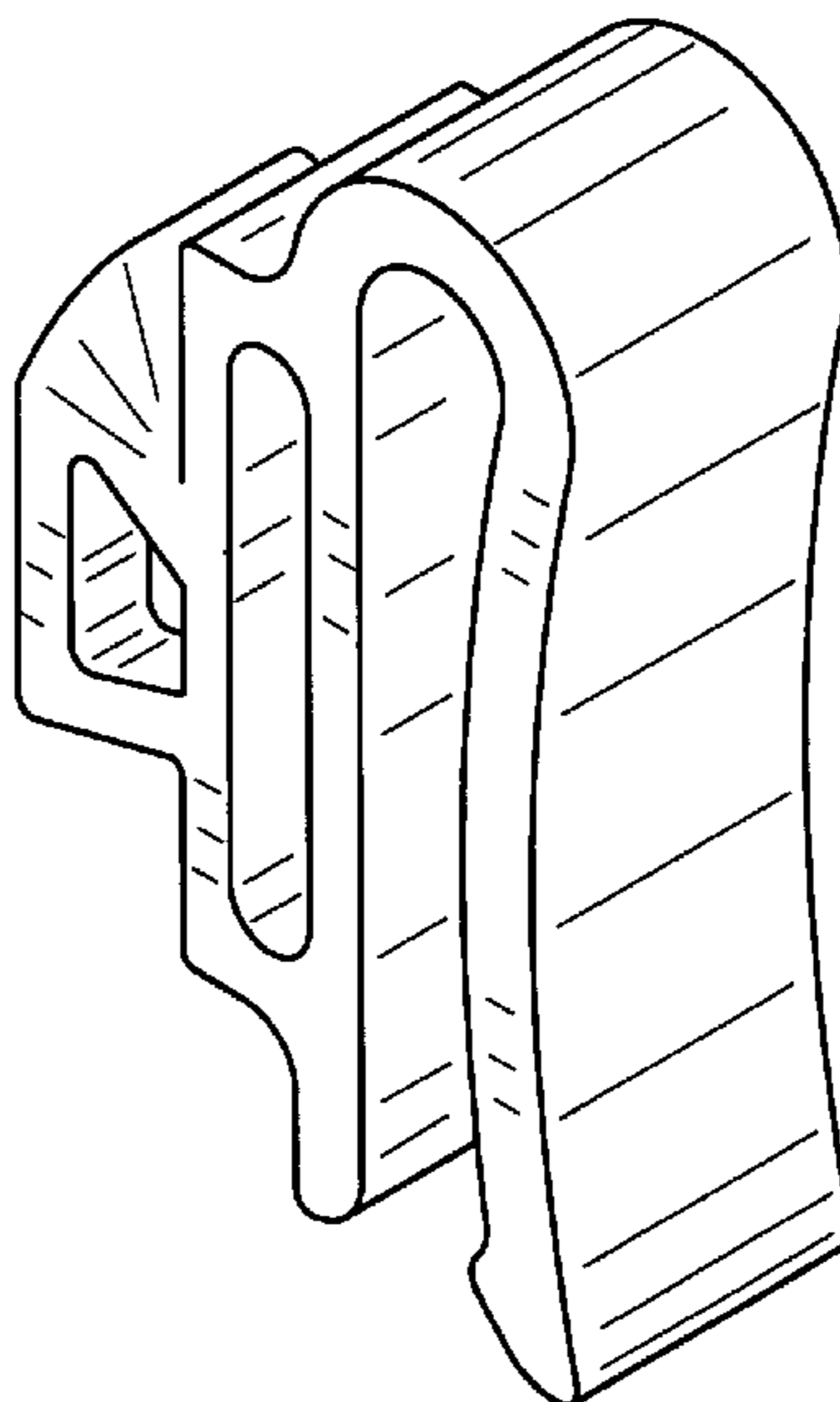
U.S. PATENT DOCUMENTS

D23,446 S * 7/1894 Keifer D19/65
4,094,415 A * 6/1978 Larson
D286,980 S * 12/1986 Jonsson D8/499
4,635,801 A * 1/1987 Oren
4,728,068 A * 3/1988 Rivkin
4,805,784 A * 2/1989 Solheim et al.
D300,089 S * 3/1989 Edwards D6/323
4,927,020 A * 5/1990 Randy
5,109,576 A * 5/1992 Teekell et al. 24/30.5 R
5,205,420 A * 4/1993 Petryszak
5,356,104 A * 10/1994 Rosenberg et al.
5,375,802 A * 12/1994 Branham, II
D361,506 S * 8/1995 Rumpel D8/395
5,531,416 A * 7/1996 Remmers
5,669,515 A * 9/1997 Tisbo et al.
5,711,435 A * 1/1998 Morison et al.
5,758,851 A * 6/1998 Remmers

DESCRIPTION

FIG. 1 is a top front perspective view of a dovetail retainer clip showing my new design;
FIG. 2 is a top rear perspective view thereof;
FIG. 3 is a bottom front perspective view thereof;
FIG. 4 is a bottom rear perspective view thereof;
FIG. 5 is a left side elevational view thereof;
FIG. 6 is a right side elevational view thereof;
FIG. 7 is a rear elevational view thereof;
FIG. 8 is a front elevational view thereof;
FIG. 9 is a bottom plan view thereof;
FIG. 10 is a top plan view thereof; and,
FIG. 11 is a perspective view thereof at a reduced scale engaged with a dovetail slot of a trim piece.
The details shown in broken lines are for illustrative purposes only and form no part of the claimed design.

1 Claim, 3 Drawing Sheets



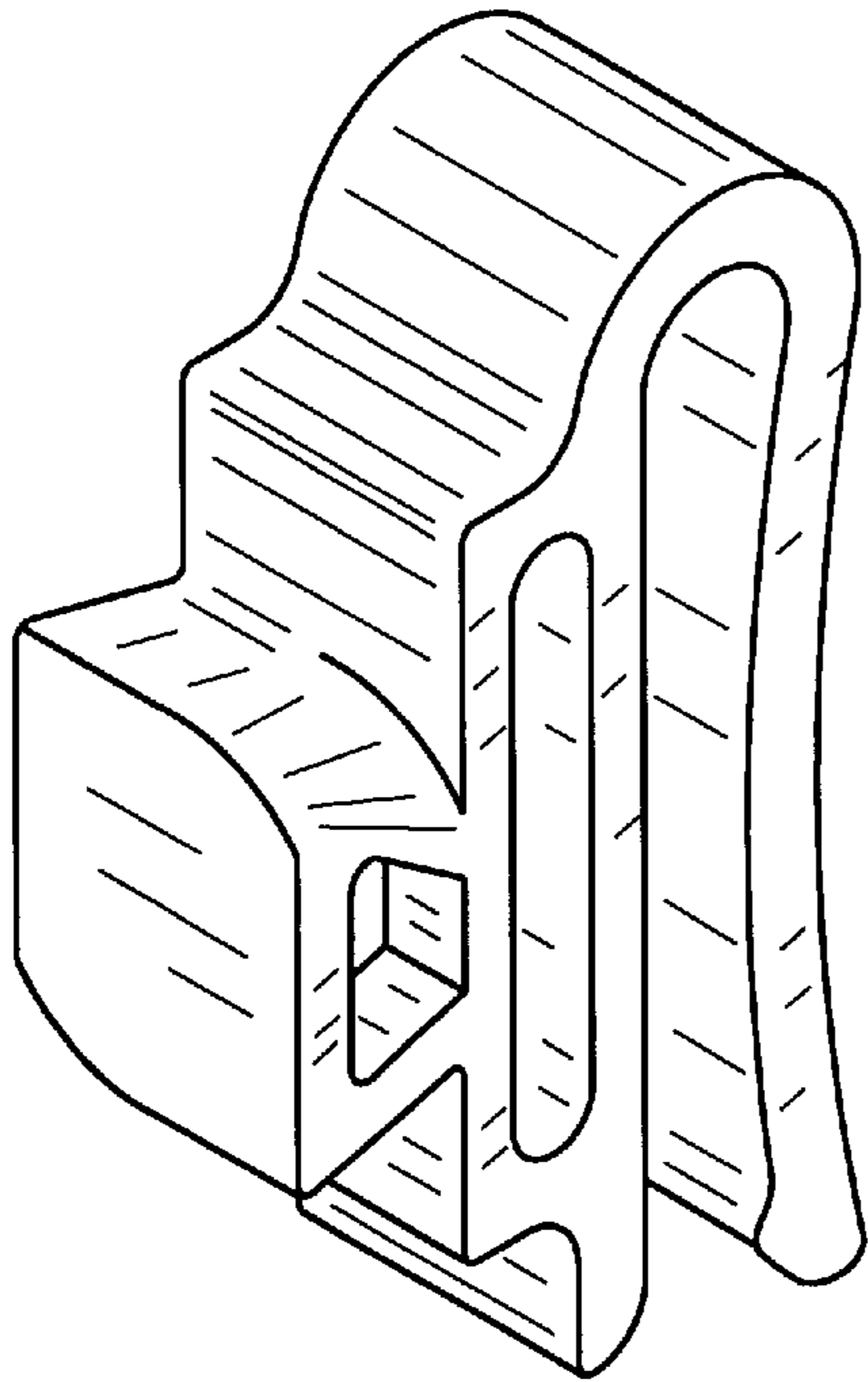


FIG. 1

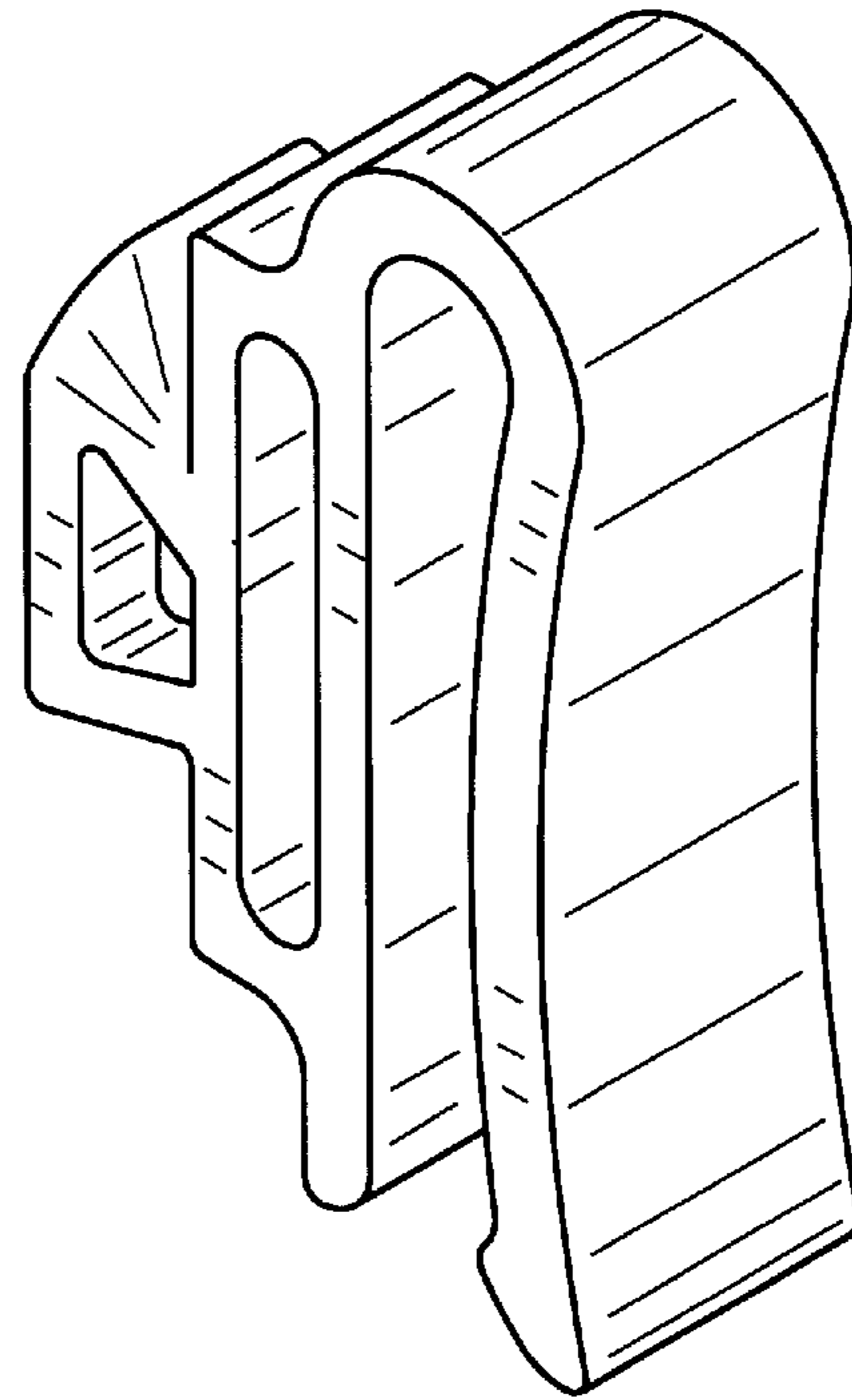


FIG. 2

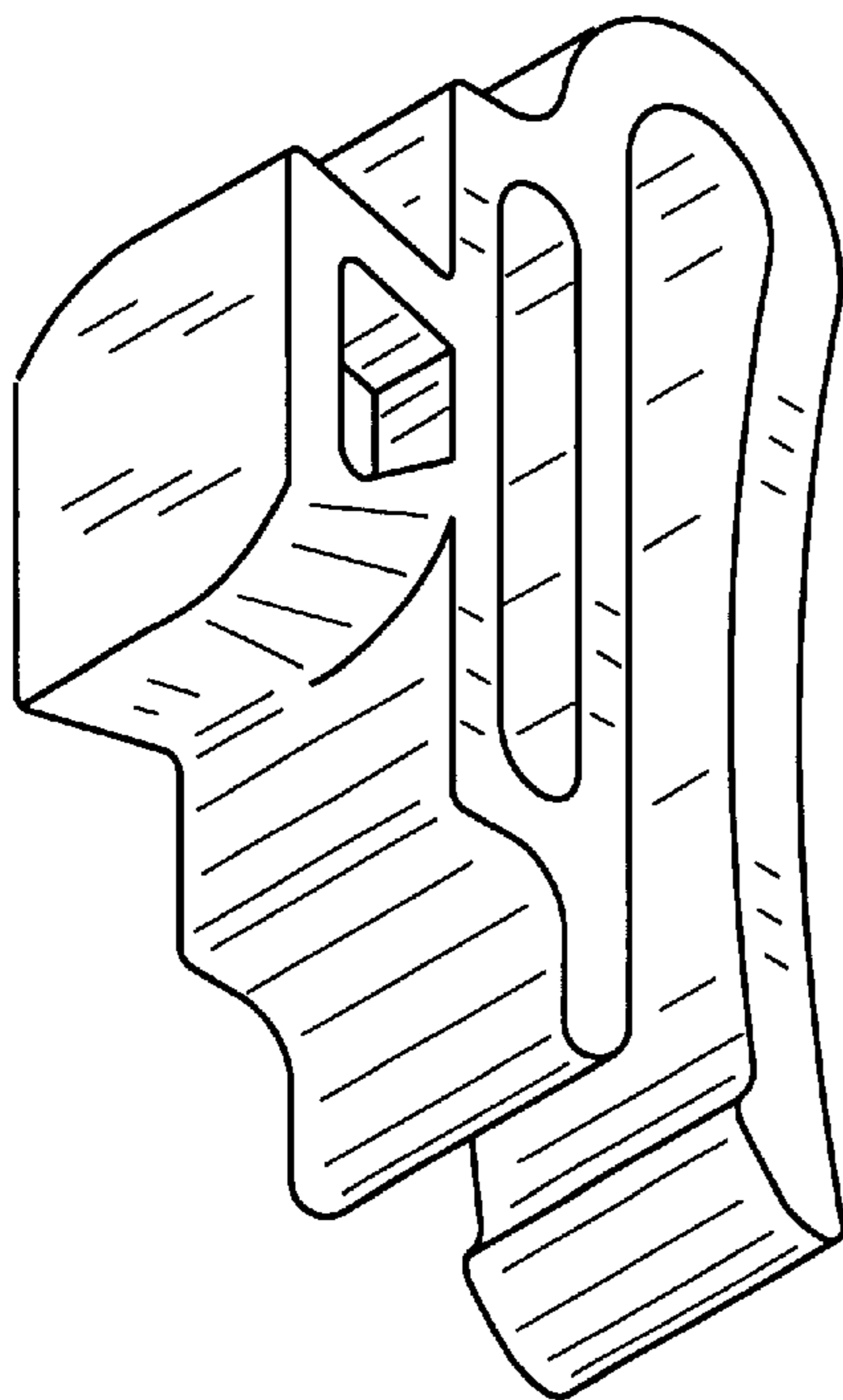


FIG. 3

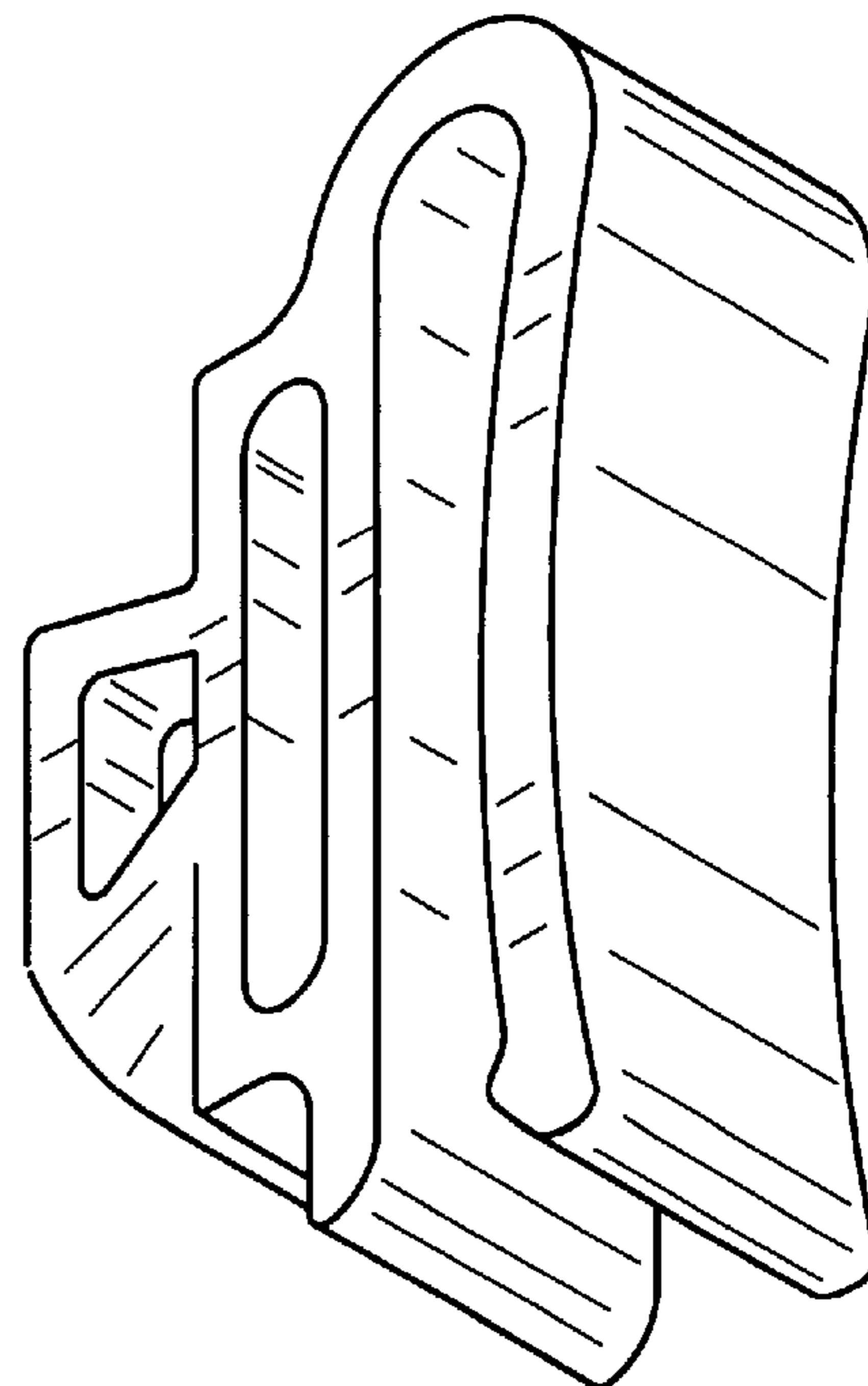


FIG. 4

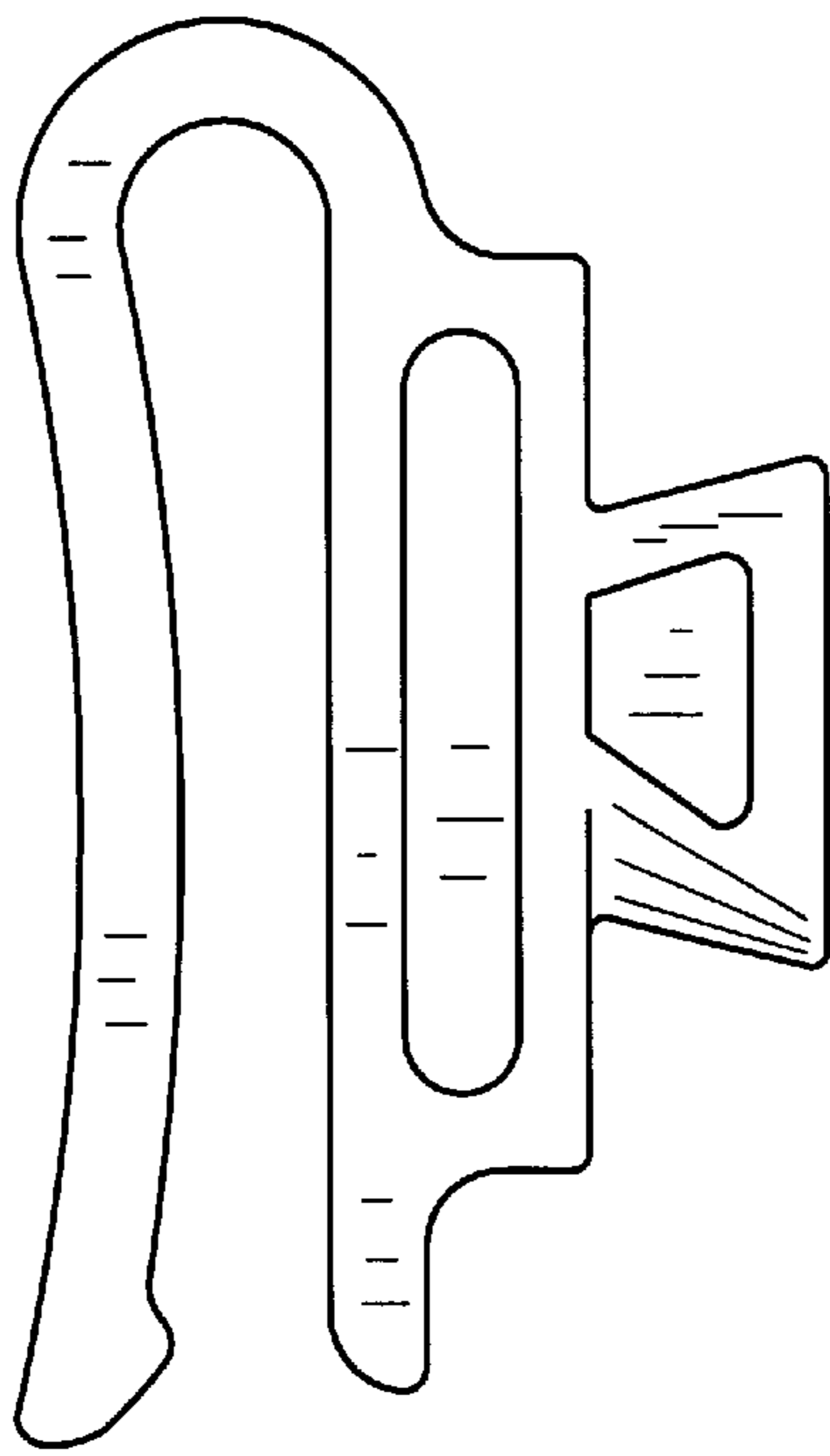


FIG. 5

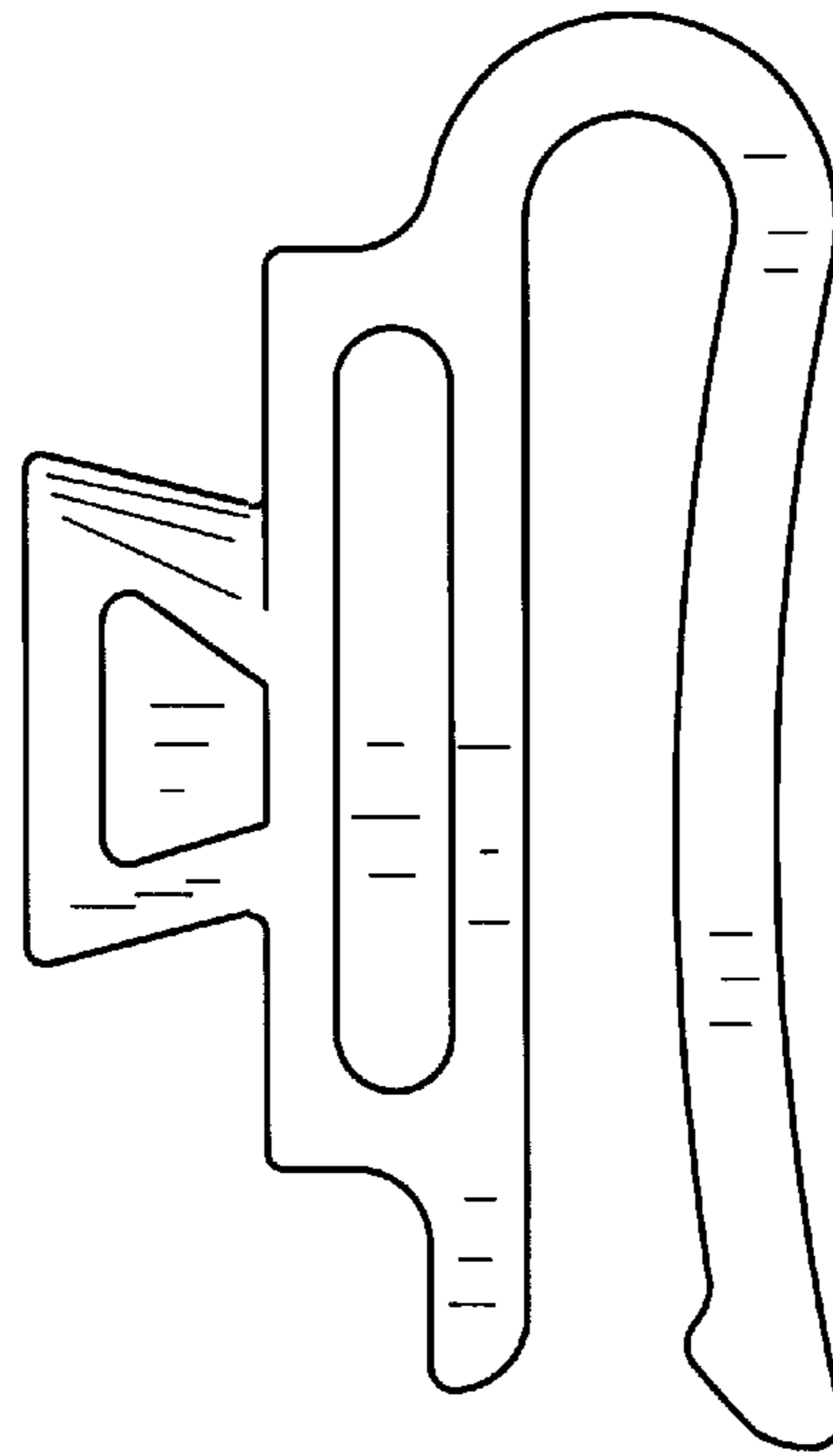


FIG. 6

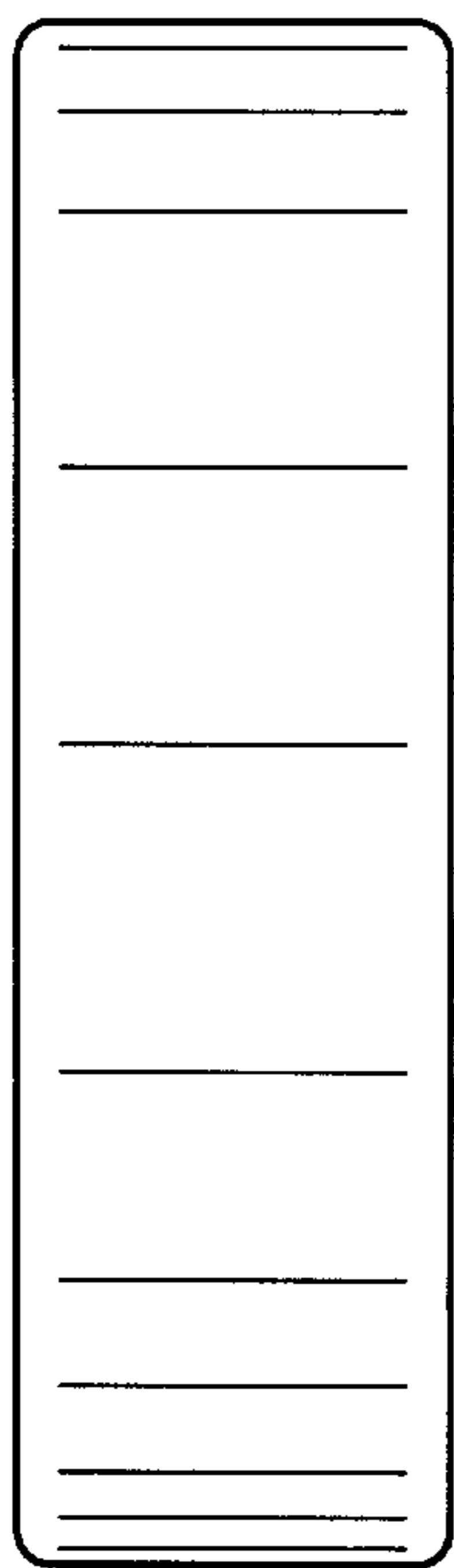


FIG. 7

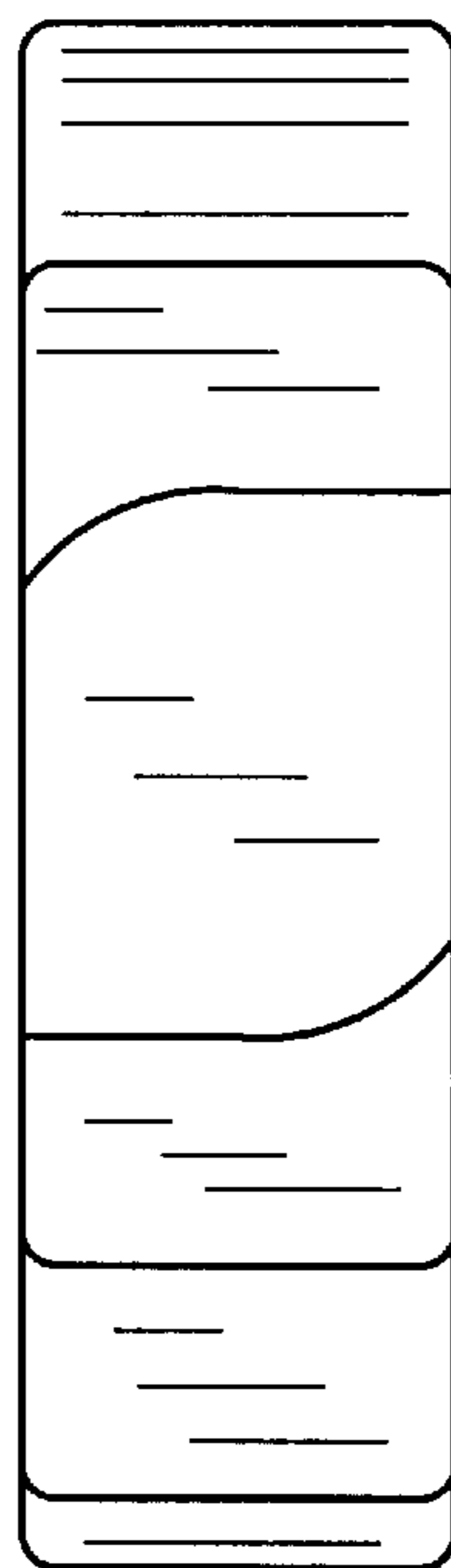


FIG. 8

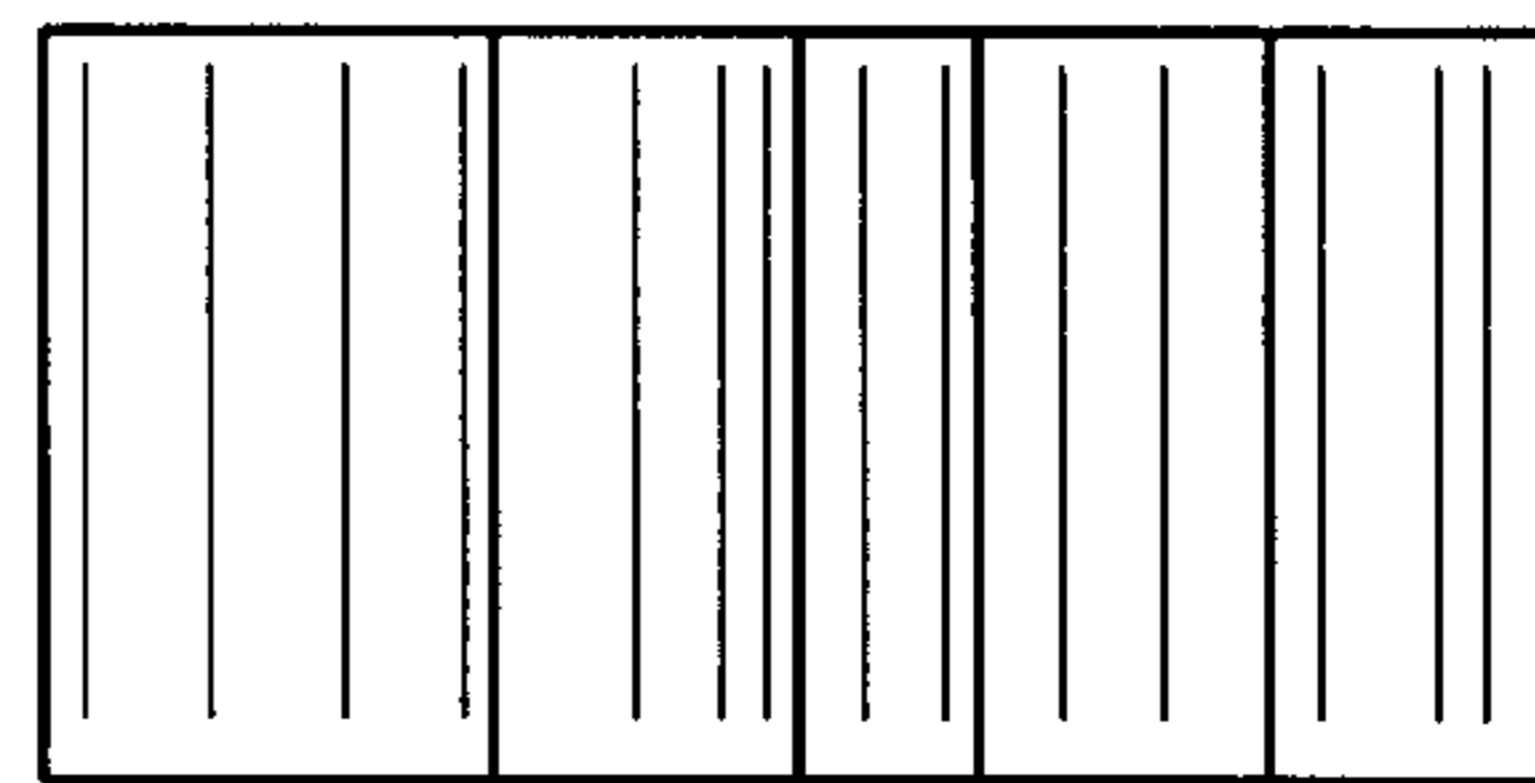


FIG. 9

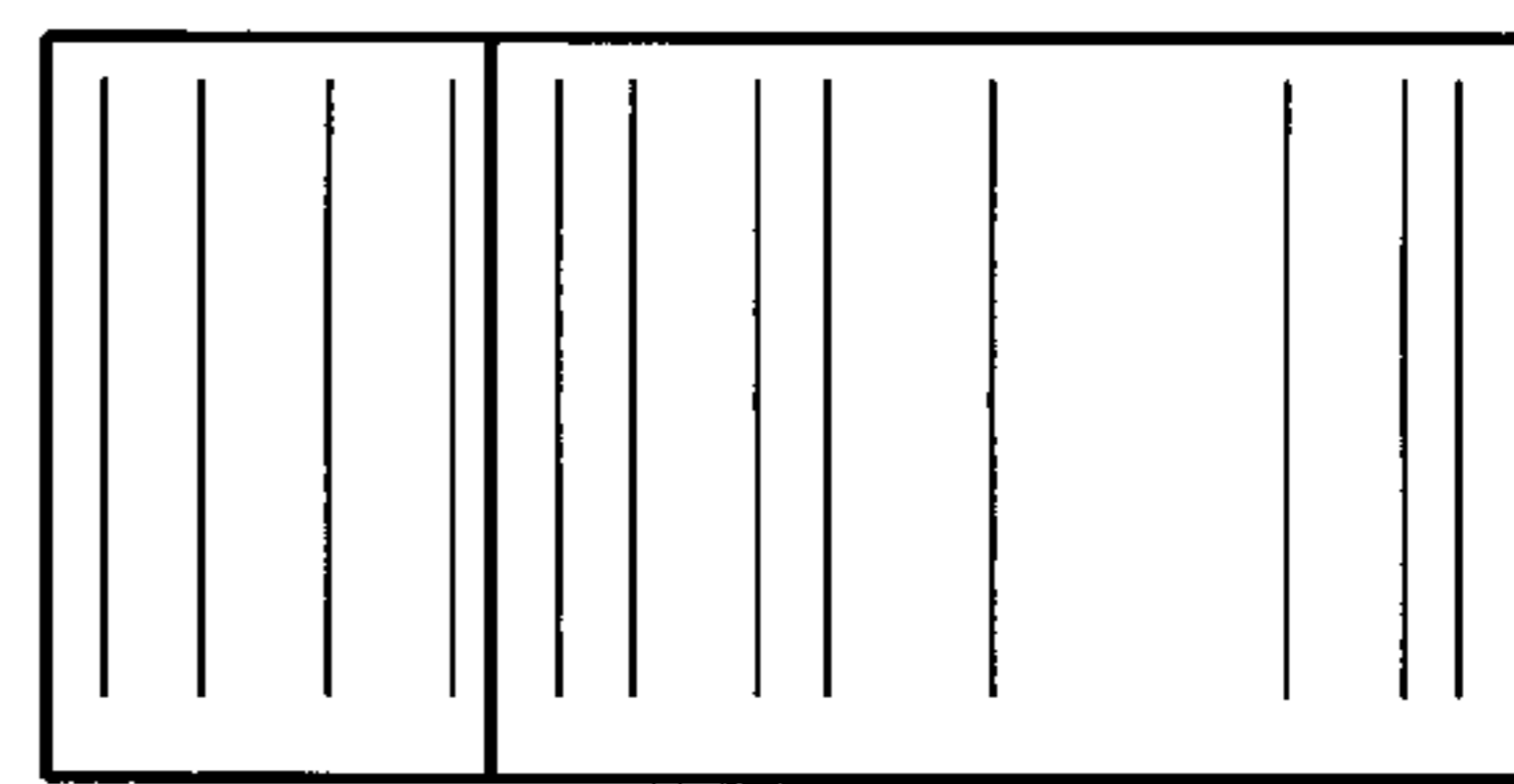


FIG. 10

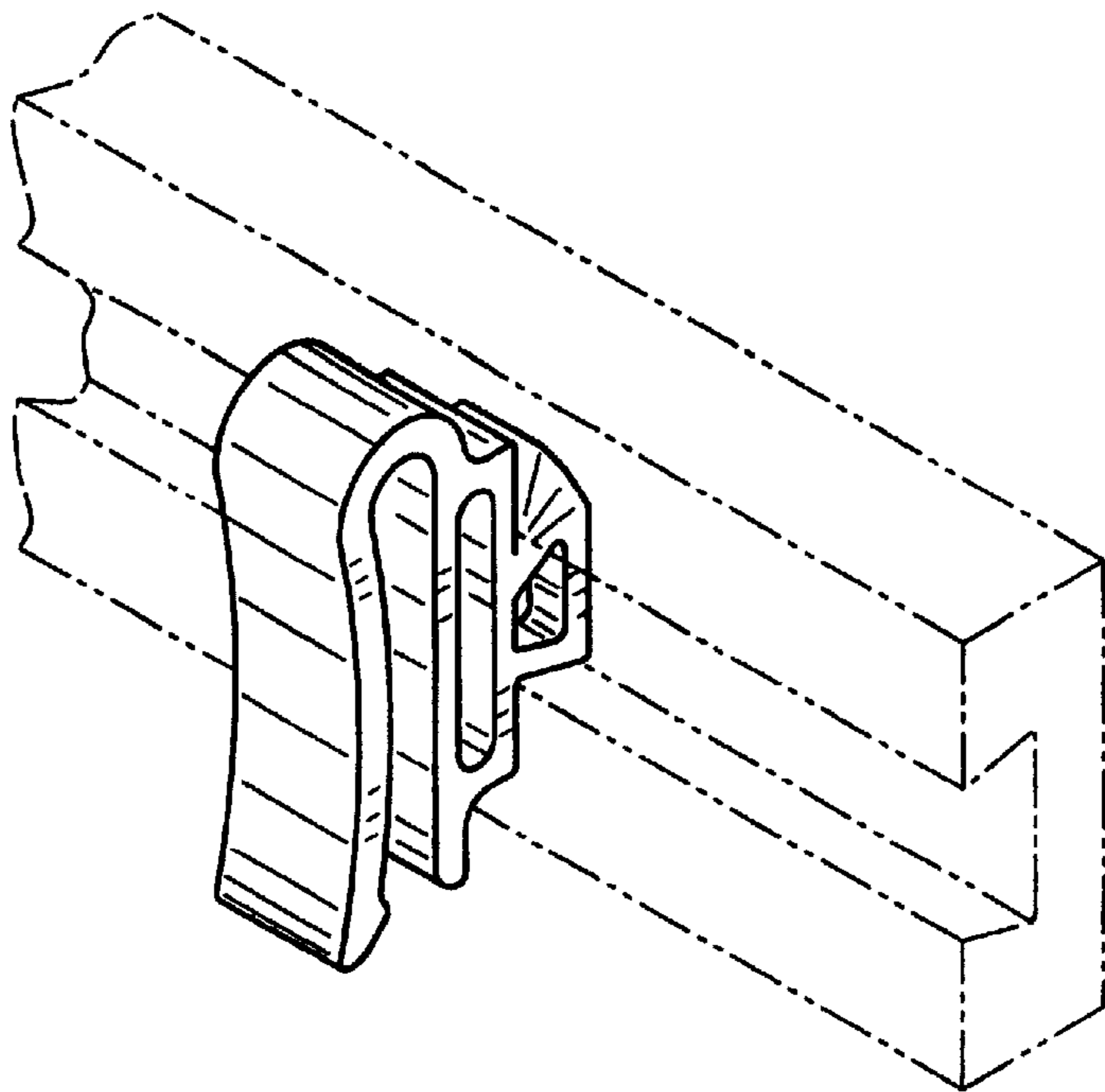


FIG. 11