

US00D522850S

(12) **United States Design Patent**
Mandel

(10) **Patent No.:** **US D522,850 S**
(45) **Date of Patent:** **** Jun. 13, 2006**

(54) **MINI-CLIP**

(75) Inventor: **Logan Flash Mandel**, Los Angeles, CA (US)

(73) Assignee: **GMPC, LLC**, Santa Monica, CA (US)

(**) Term: **14 Years**

(21) Appl. No.: **29/228,700**

(22) Filed: **Apr. 27, 2005**

(51) **LOC (8) Cl.** **08-08**

(52) **U.S. Cl.** **D8/395**

(58) **Field of Classification Search** D8/356,
D8/371, 394-396, 499, 53, 100, 365; D12/51;
D19/65, 90; D28/39, 40, 42; 24/546, 563,
24/327, 334, DIG. 8, DIG. 9, DIG. 13, DIG. 28;
248/74.2, 300, 301, 316.7, 229.26
See application file for complete search history.

(56) **References Cited**

U.S. PATENT DOCUMENTS

- D394,745 S * 6/1998 Egelja D2/999
- D445,834 S * 7/2001 Huang D19/78
- D468,624 S * 1/2003 Goodman et al. D8/371
- D477,029 S * 7/2003 Korowitz D19/78

D509,356 S * 9/2005 Kushner D3/266

* cited by examiner

Primary Examiner—Louis S. Zarfes

Assistant Examiner—John Windmuller

(74) *Attorney, Agent, or Firm*—Christie, Parker & Hale, LLP

(57) **CLAIM**

The ornamental design for mini-clip, as shown and described.

DESCRIPTION

FIG. 1 is a front perspective view of a mini-clip showing my new design;

FIG. 2 is a rear perspective view thereof;

FIG. 3 is a top plan view thereof;

FIG. 4 is a bottom plan view thereof;

FIG. 5 is a right side view thereof;

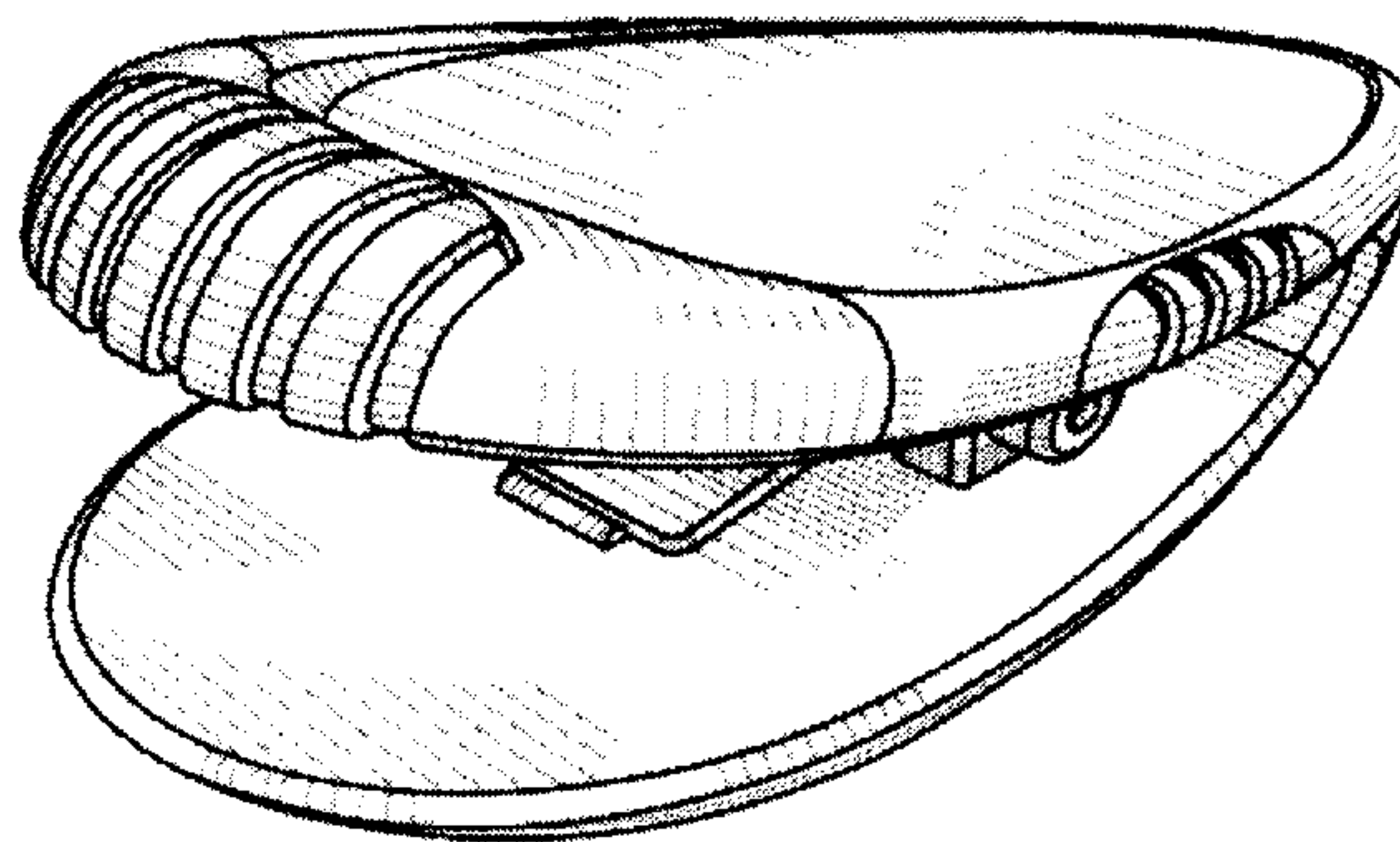
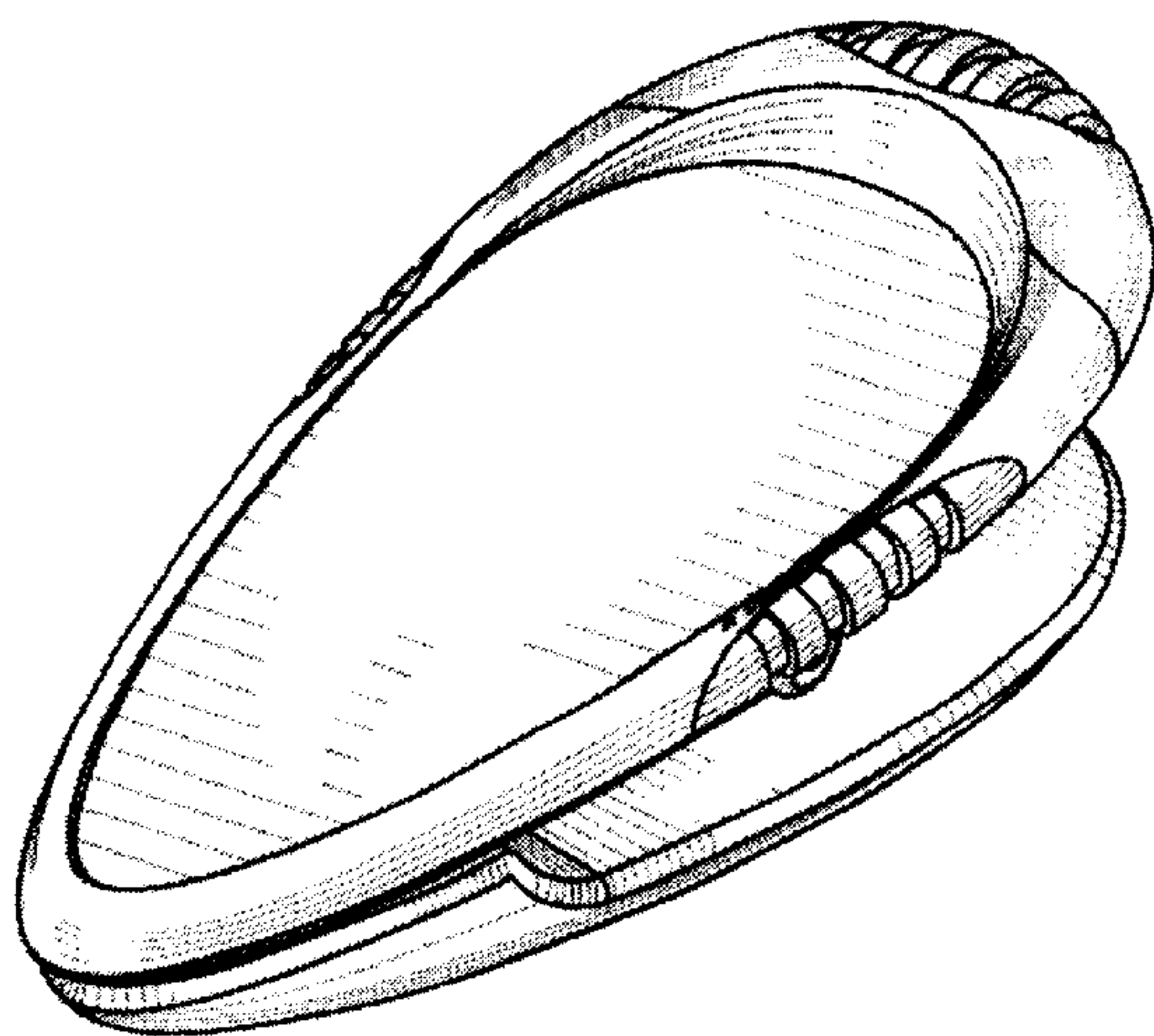
FIG. 6 is a left side view thereof;

FIG. 7 is a front view thereof; and,

FIG. 8 is a rear view thereof.

The broken line showing of a circle on FIG. 4 is for illustrative purposes only and forms no part of the claimed design.

1 Claim, 4 Drawing Sheets



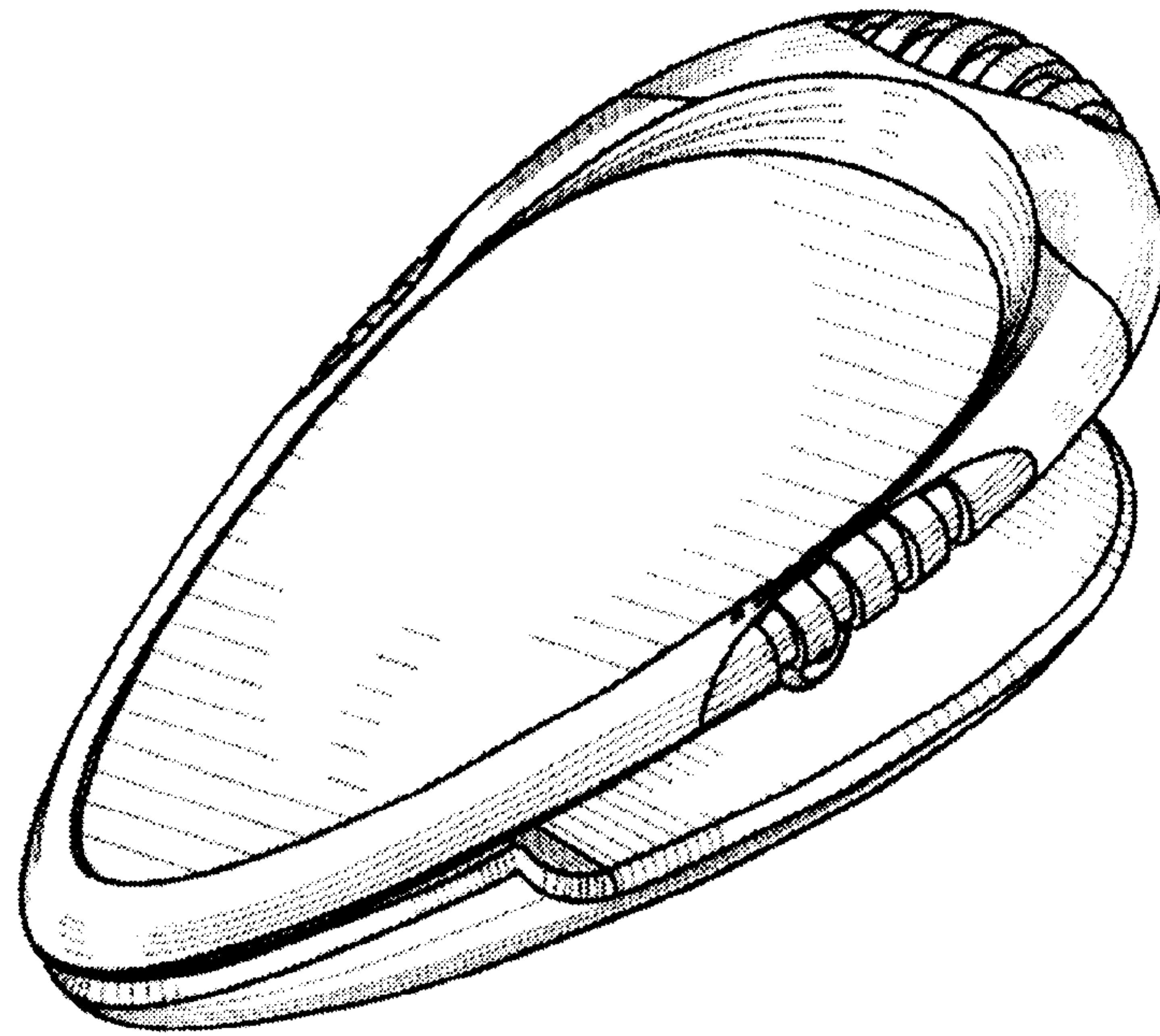


FIG.1

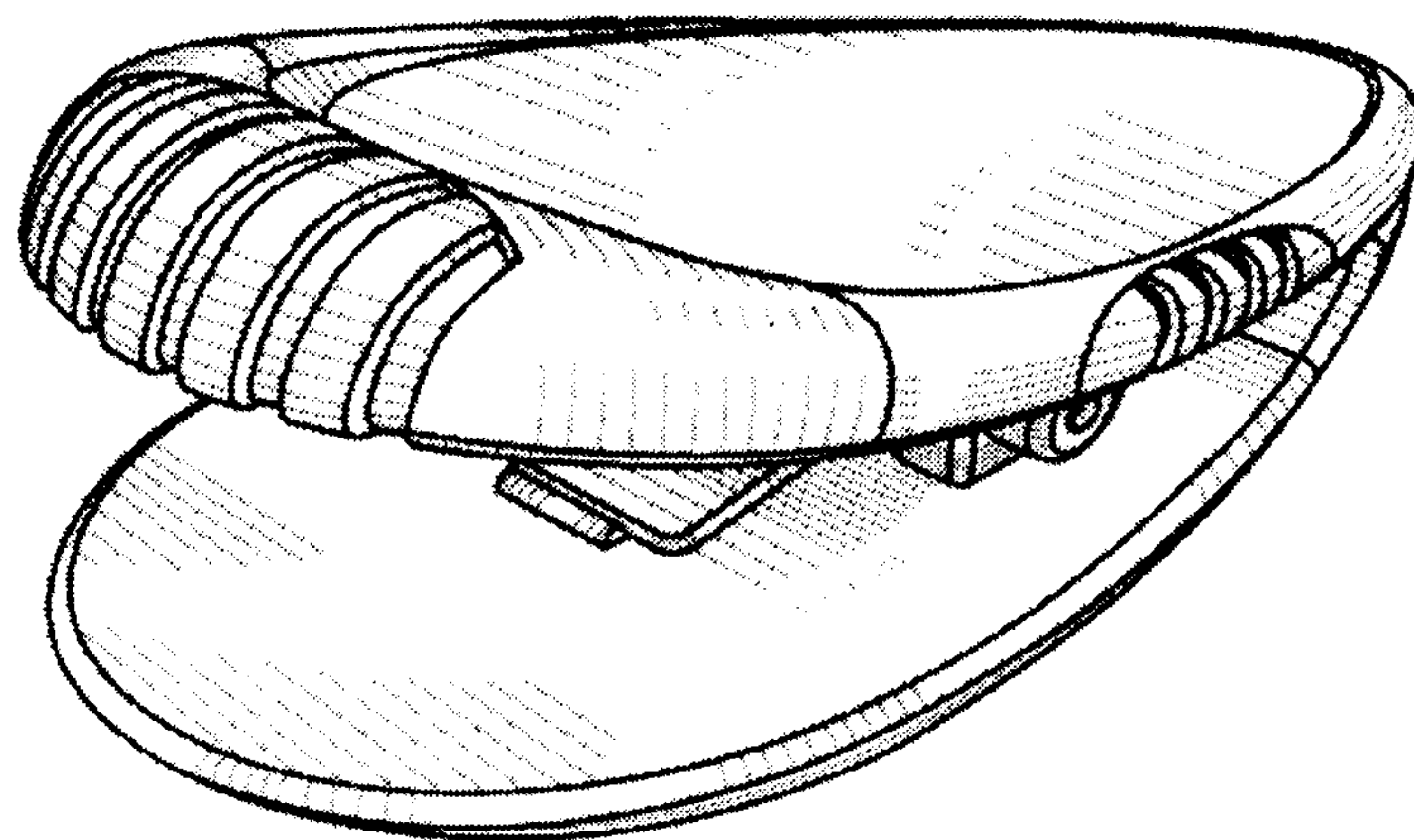


FIG.2

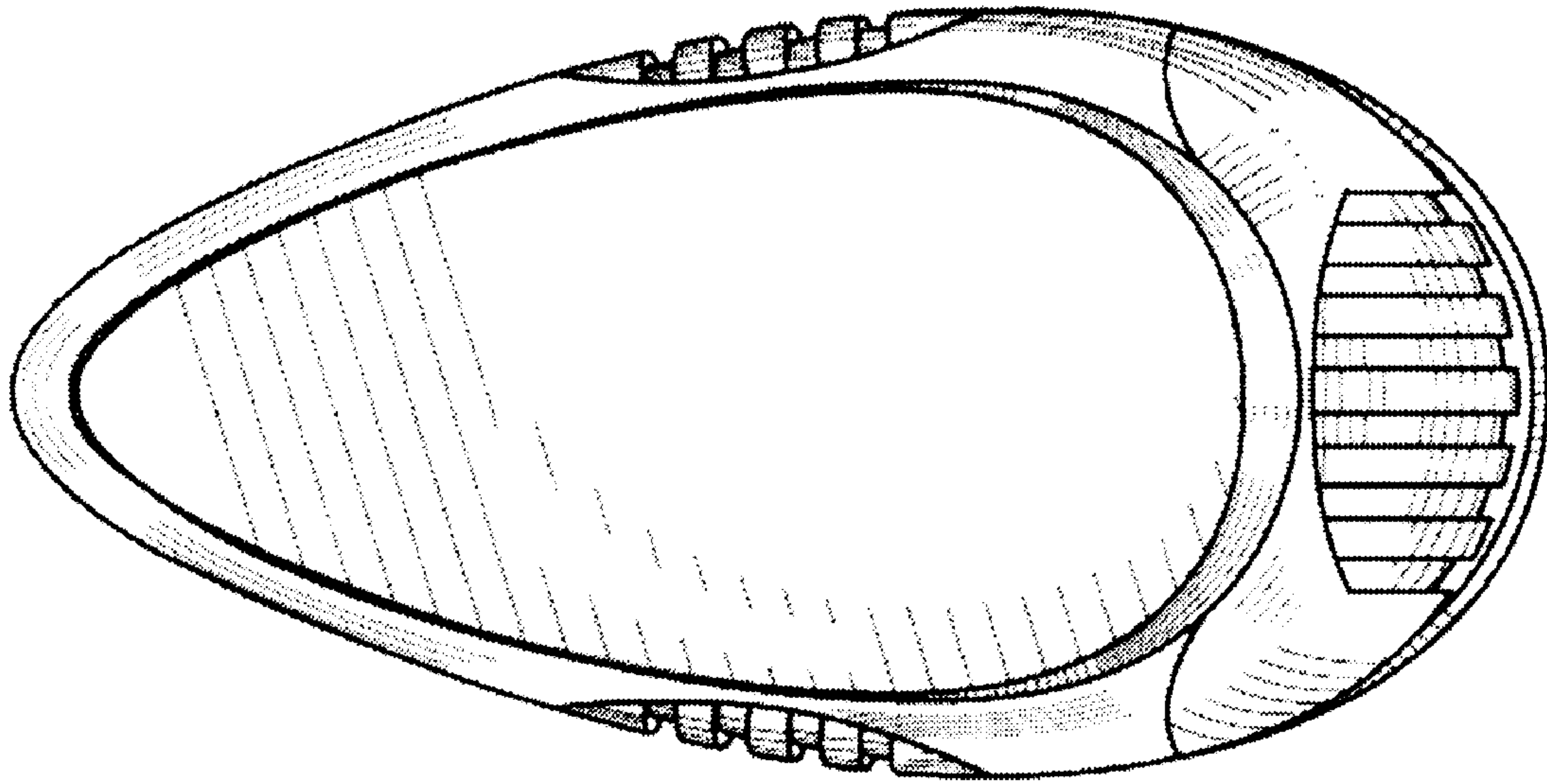


FIG.3

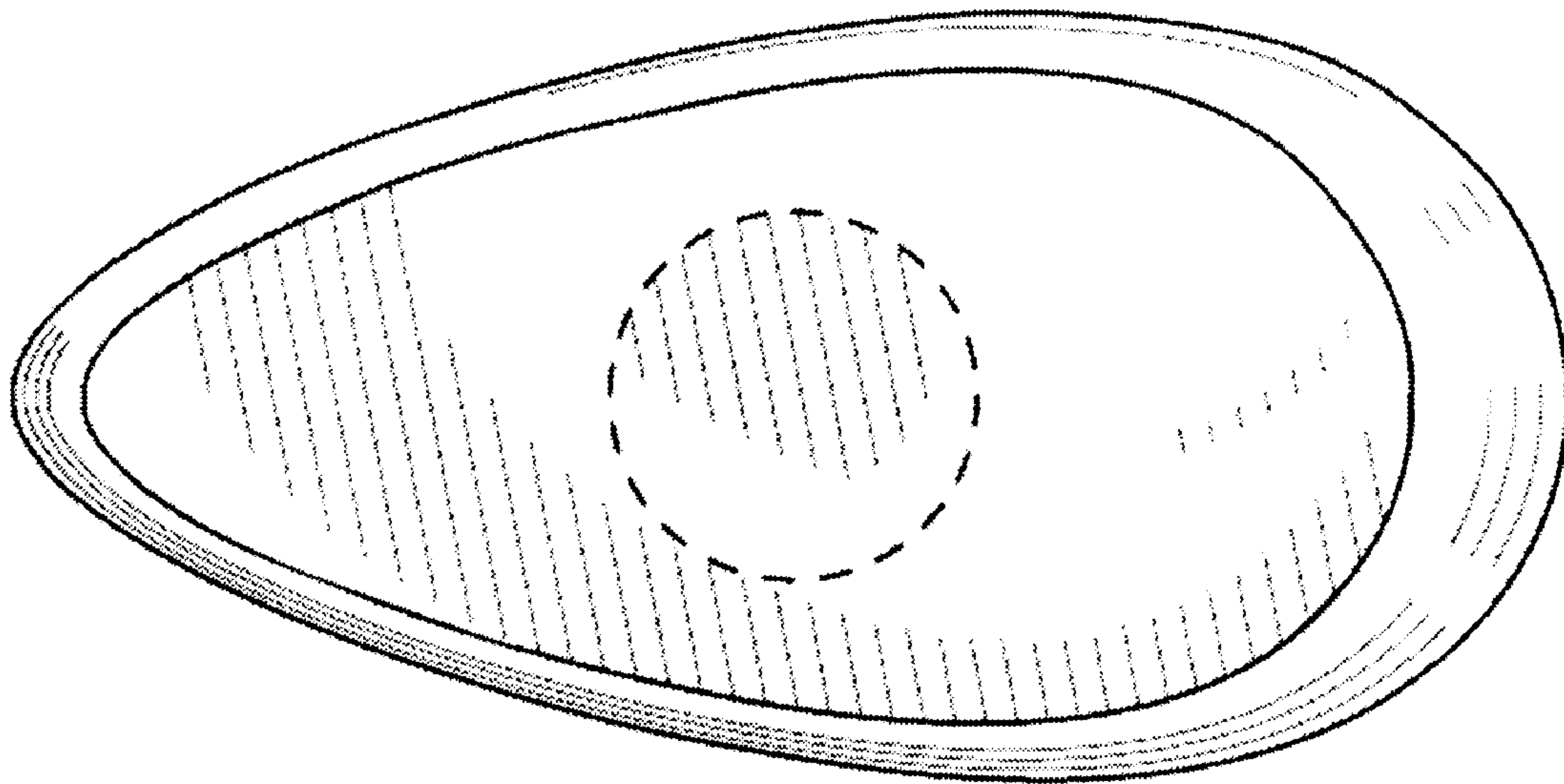


FIG.4

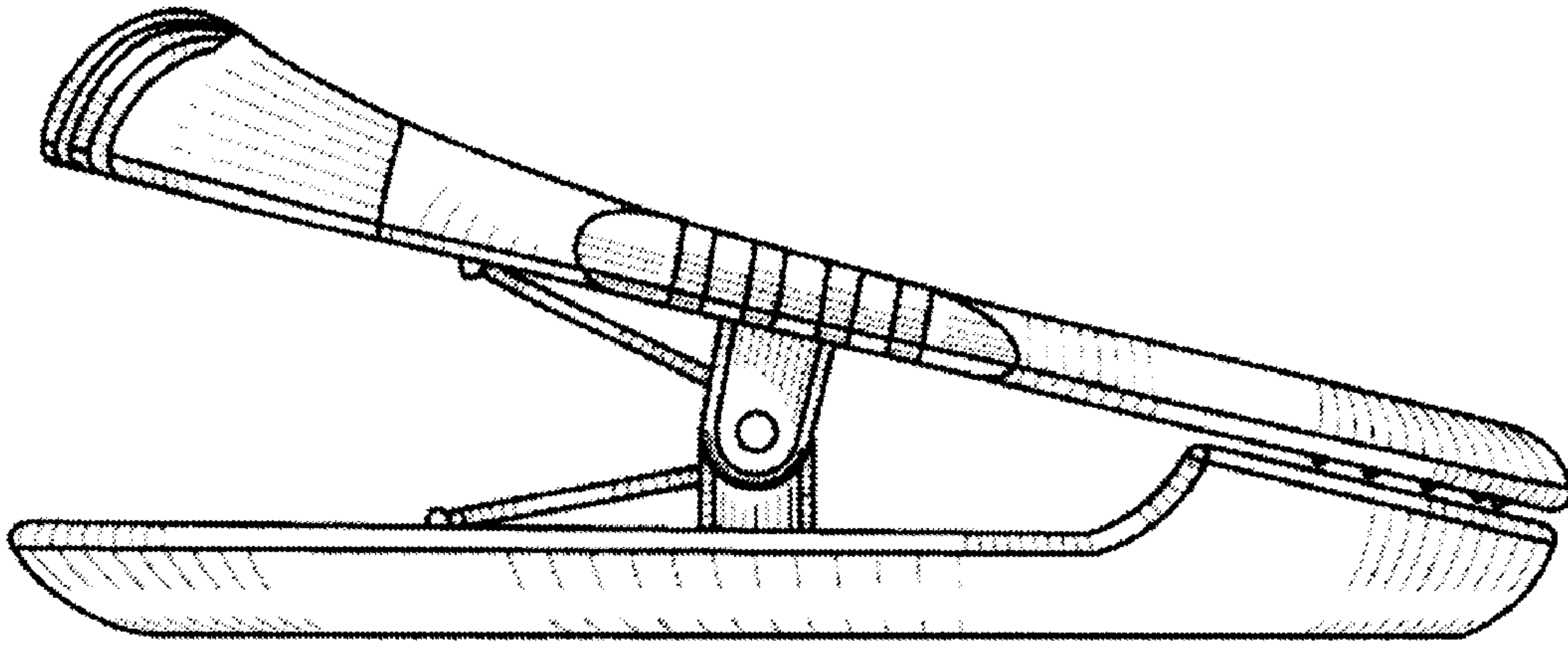


FIG. 5

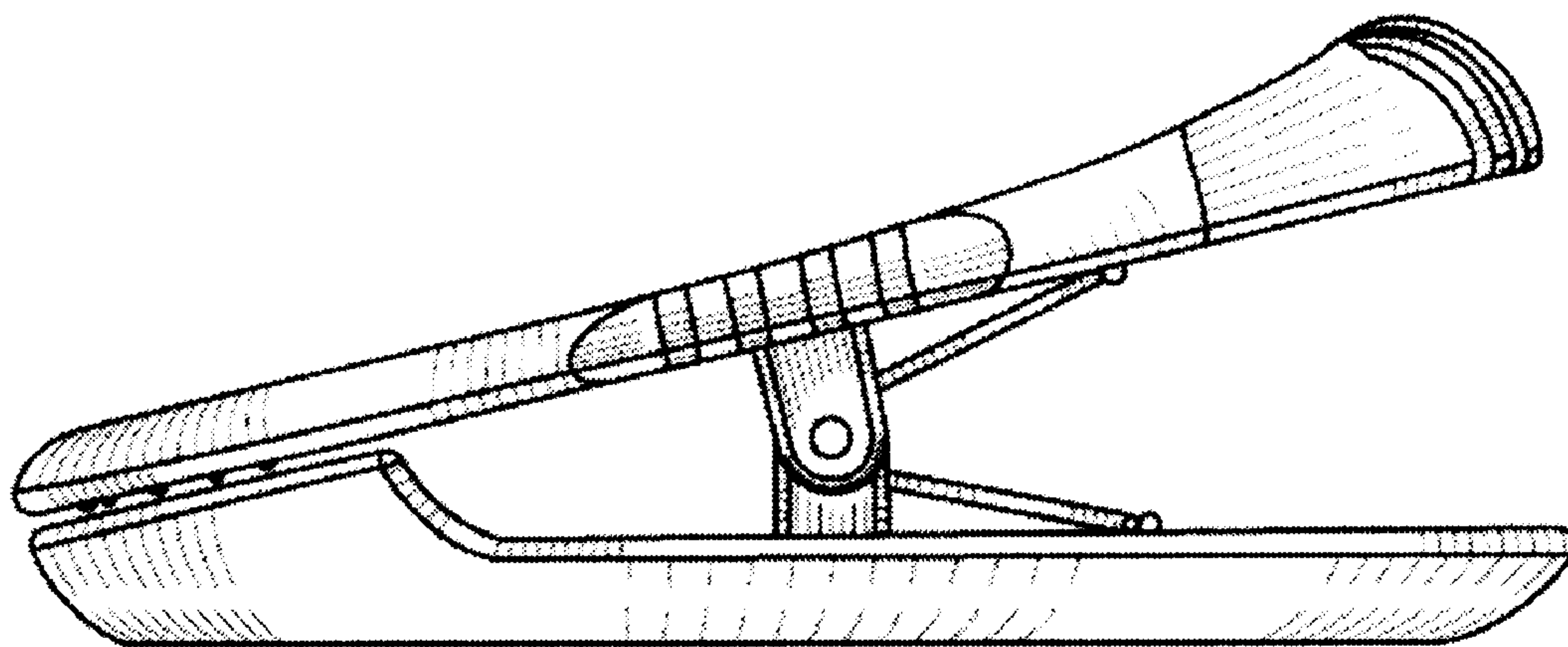


FIG. 6

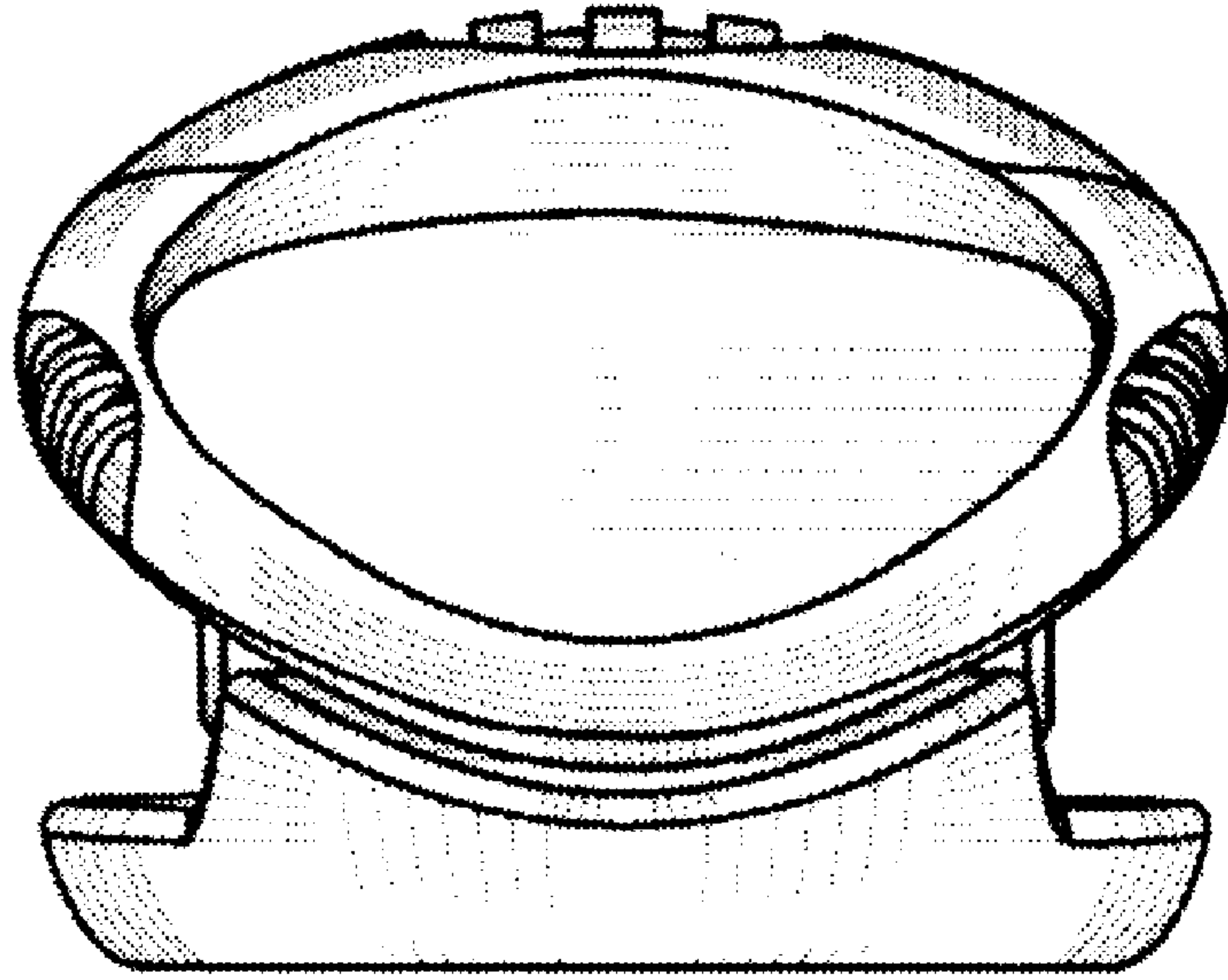


FIG. 7

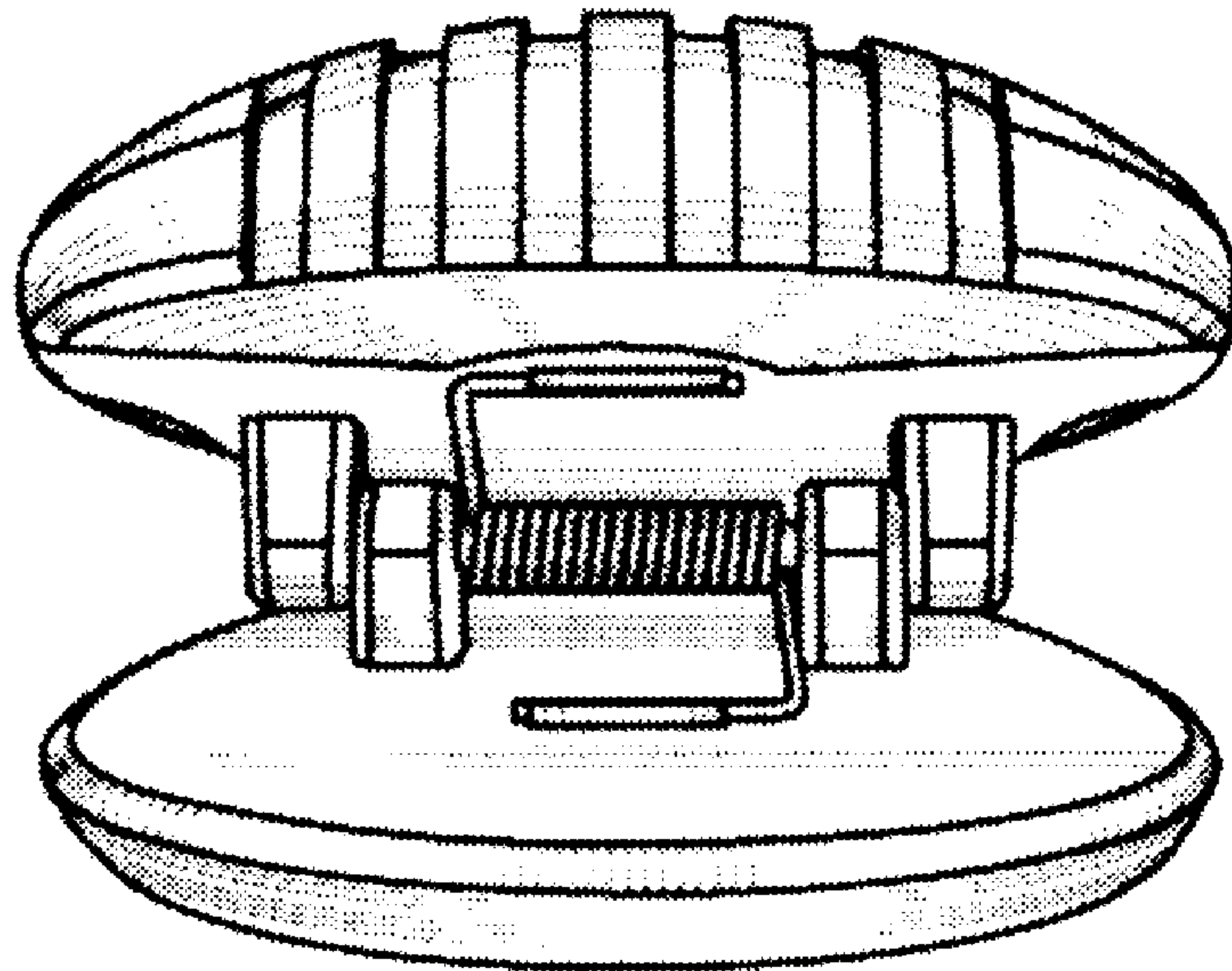


FIG. 8