



US00D522849S

(12) **United States Design Patent**
Dick et al.

(10) **Patent No.:** **US D522,849 S**
(45) **Date of Patent:** **** Jun. 13, 2006**

- (54) **RETAINING CLIP**
 - (75) Inventors: **Joseph F. Dick**, New Philadelphia, OH (US); **Scott E. Frye**, New Philadelphia, OH (US)
 - (73) Assignee: **Flex Technologies, Inc.**, Midvale, OH (US)
 - (**) **Term: 14 Years**
 - (21) Appl. No.: **29/223,094**
 - (22) Filed: **Feb. 8, 2005**
 - (51) **LOC (8) Cl.** **08-08**
 - (52) **U.S. Cl.** **D8/395; D8/354; D8/356**
 - (58) **Field of Classification Search** D8/383, D8/356, 354, 349; 24/115 G, 115 H, 129 R, 24/16 PB; 285/3, 24
- See application file for complete search history.

4,763,541 A	8/1988	Spease	74/501
4,800,926 A	1/1989	Beck	138/106
4,811,975 A	3/1989	Paul et al.	285/305
4,863,201 A	9/1989	Carstens	285/317
4,869,534 A	9/1989	Ketcham et al.	285/24
4,934,655 A	6/1990	Blenkush et al.	251/149.1
4,951,524 A	8/1990	Niskanen	74/502.4
5,009,454 A	4/1991	Bartholomew	285/24
5,052,725 A	10/1991	Meyer et al.	285/308
5,090,745 A	2/1992	Kluger	285/187
5,090,747 A	2/1992	Kotake	285/319 X
5,104,158 A	4/1992	Meyer et al.	285/308
5,171,028 A	12/1992	Bartholomew	277/189
5,186,500 A	2/1993	Folkers	285/55
5,316,041 A	5/1994	Ramacier, Jr. et al.	137/614
D355,583 S *	2/1995	Beauchane	D8/356
5,423,577 A	6/1995	Ketcham	285/305

(Continued)

FOREIGN PATENT DOCUMENTS

AU	163947	7/1949	
DE	2211173	9/1973	285/423
FR	2757442	6/1998	
GB	2250078	5/1992	285/305

Primary Examiner—Holly H Baynham
(74) *Attorney, Agent, or Firm*—Renner, Kenner, Greivem Bobak, Talyor & Weber

(56) **References Cited**

U.S. PATENT DOCUMENTS

115,917 A	6/1871	Wharton	285/276
571,212 A	11/1896	Burkhardt	285/87
793,103 A	6/1905	Scholtz	
991,374 A	5/1911	Rolle	285/319
1,261,687 A	4/1918	Brandon	285/312
2,320,397 A	6/1943	Ross	248/75
2,812,958 A	11/1957	Rogers	285/18
2,998,269 A	8/1961	Houghton	285/260
3,200,023 A	8/1965	Cilker	156/172
3,314,696 A	4/1967	Ferguson et al.	285/148.14
3,345,087 A	10/1967	Hanes et al.	285/39
3,558,164 A	1/1971	Havell	285/236
3,948,547 A	4/1976	Gache	285/317
4,244,608 A	1/1981	Stuemky	285/305
4,258,935 A	3/1981	Rodrigo et al.	285/21
4,278,276 A	7/1981	Ekman	285/49
4,294,473 A	10/1981	Ekman	285/50
4,310,185 A	1/1982	Bartholomew	285/369
4,458,552 A	7/1984	Spease et al.	74/501
4,475,748 A	10/1984	Ekman	285/3
4,625,998 A	12/1986	Draudt et al.	285/7
4,681,351 A	7/1987	Bartholomew	285/319

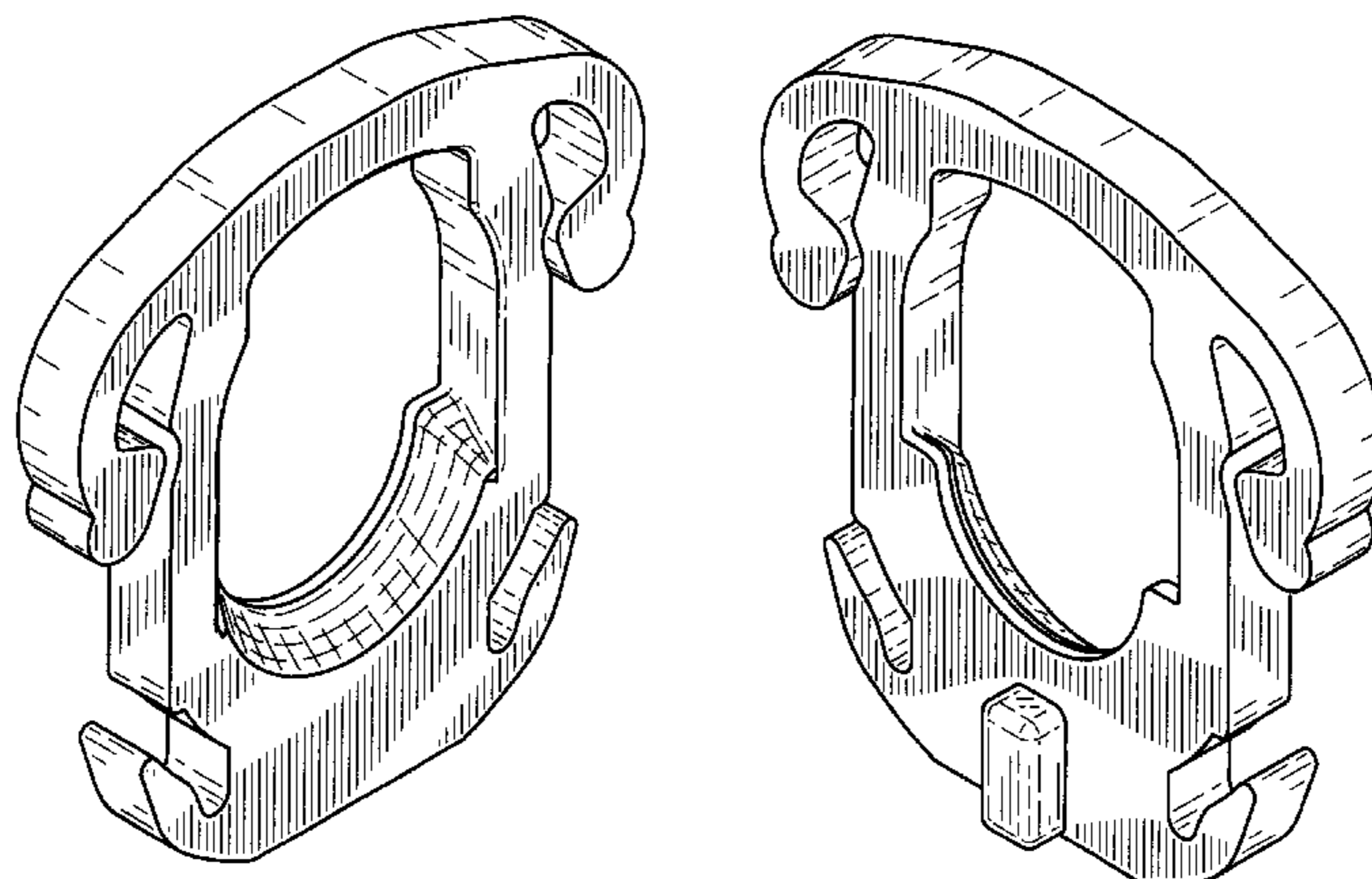
(57) **CLAIM**

We claim the ornamental design for a retaining clip, as shown and described.

DESCRIPTION

FIG. 1 is a top perspective view of the retaining clip; FIG. 2 is a bottom perspective view of the retaining clip; FIG. 3 is a top plan view of the retaining clip; FIG. 4 is a bottom plan view of the retaining clip; FIG. 5 is a rear elevational view of the retaining clip; FIG. 6 is a front elevational view of the retaining clip; FIG. 7 is a right side elevational view of the retaining clip; and, FIG. 8 is a left side elevational view of the retaining clip.

1 Claim, 2 Drawing Sheets



US D522,849 S

Page 2

U.S. PATENT DOCUMENTS			
5,449,204	A	9/1995	Greene et al. 285/123.15
D372,663	S *	8/1996	Dreger et al. D8/356
D380,664	S *	7/1997	Currier et al. D8/356
D390,092	S *	2/1998	Currier et al. D8/356
5,786,054	A	7/1998	Platusich et al. 428/36.91
5,799,986	A	9/1998	Corbett et al. 285/55
5,863,077	A *	1/1999	Szabo et al. 285/3
5,893,590	A	4/1999	Klinger et al. 285/319
6,231,085	B1	5/2001	Olson 285/23

* cited by examiner

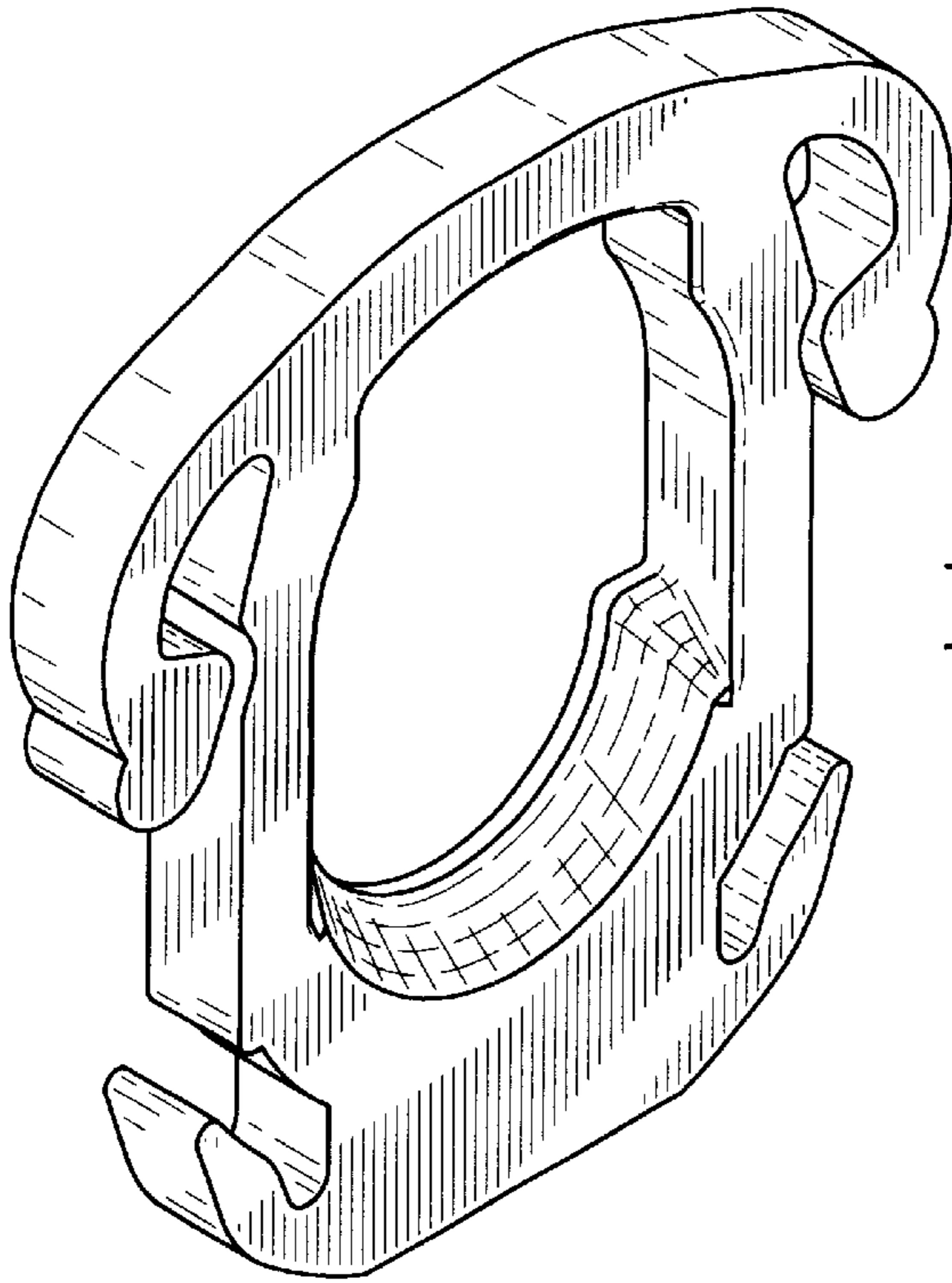


FIG-1

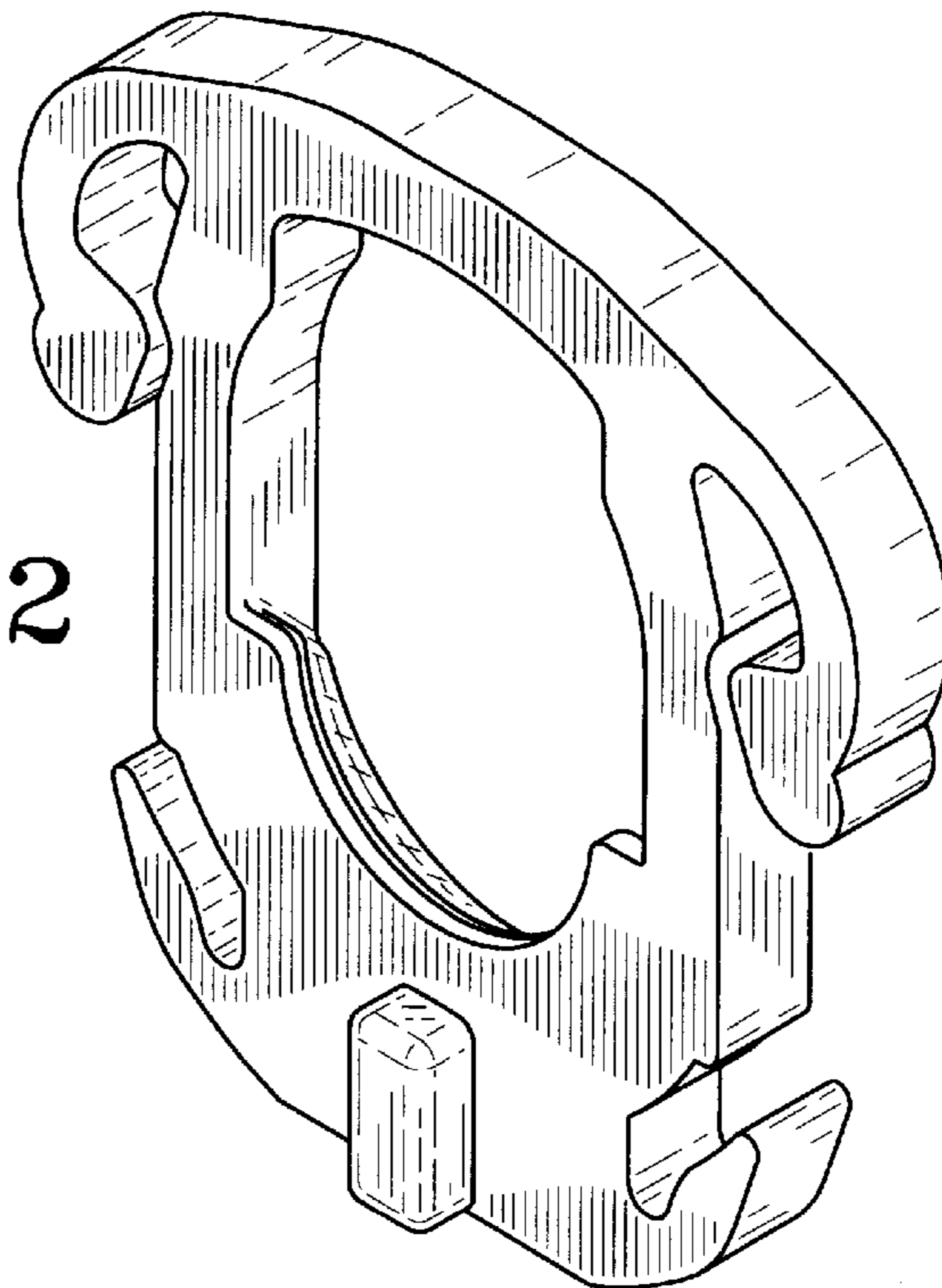


FIG-2

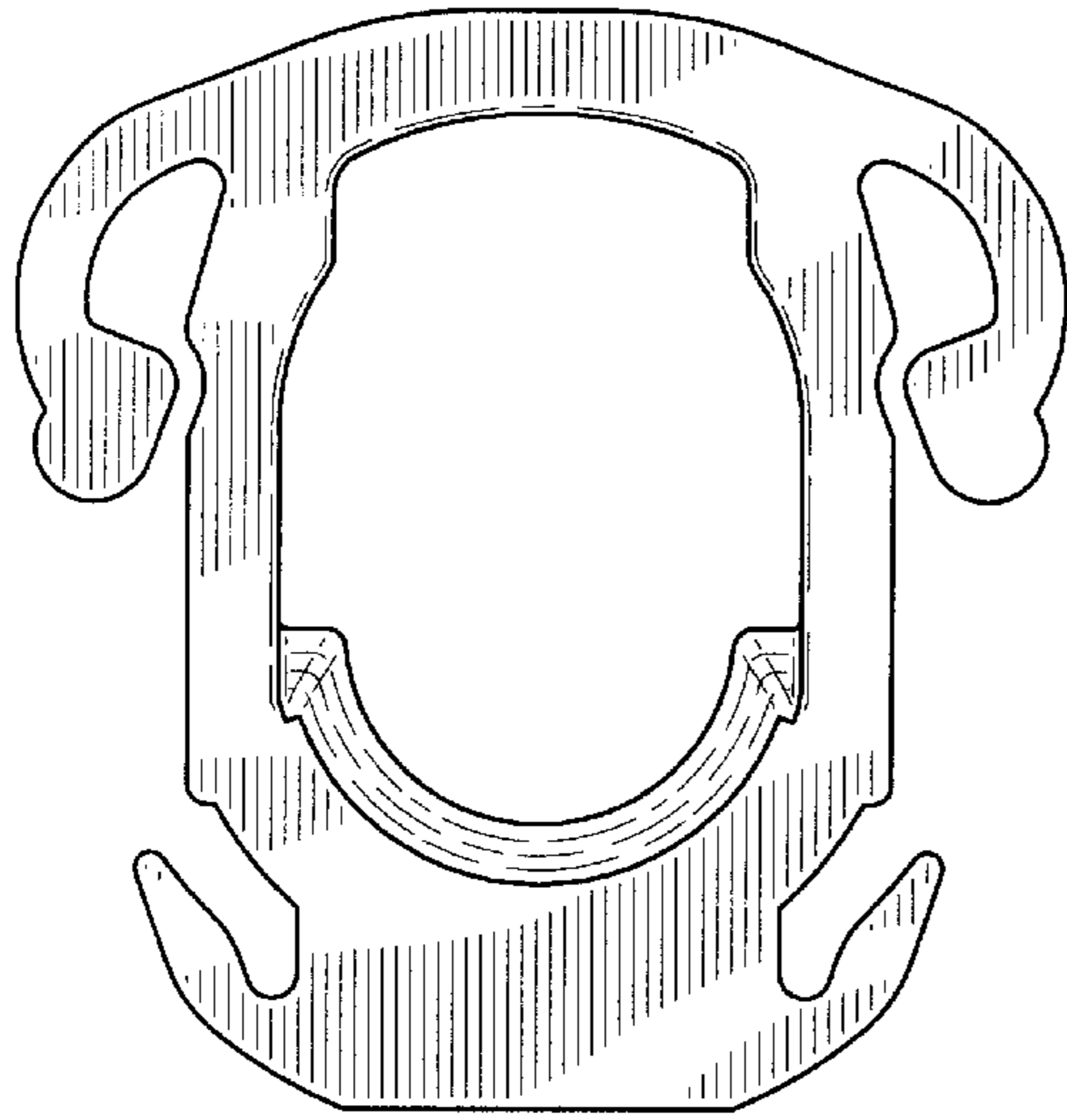


FIG-3

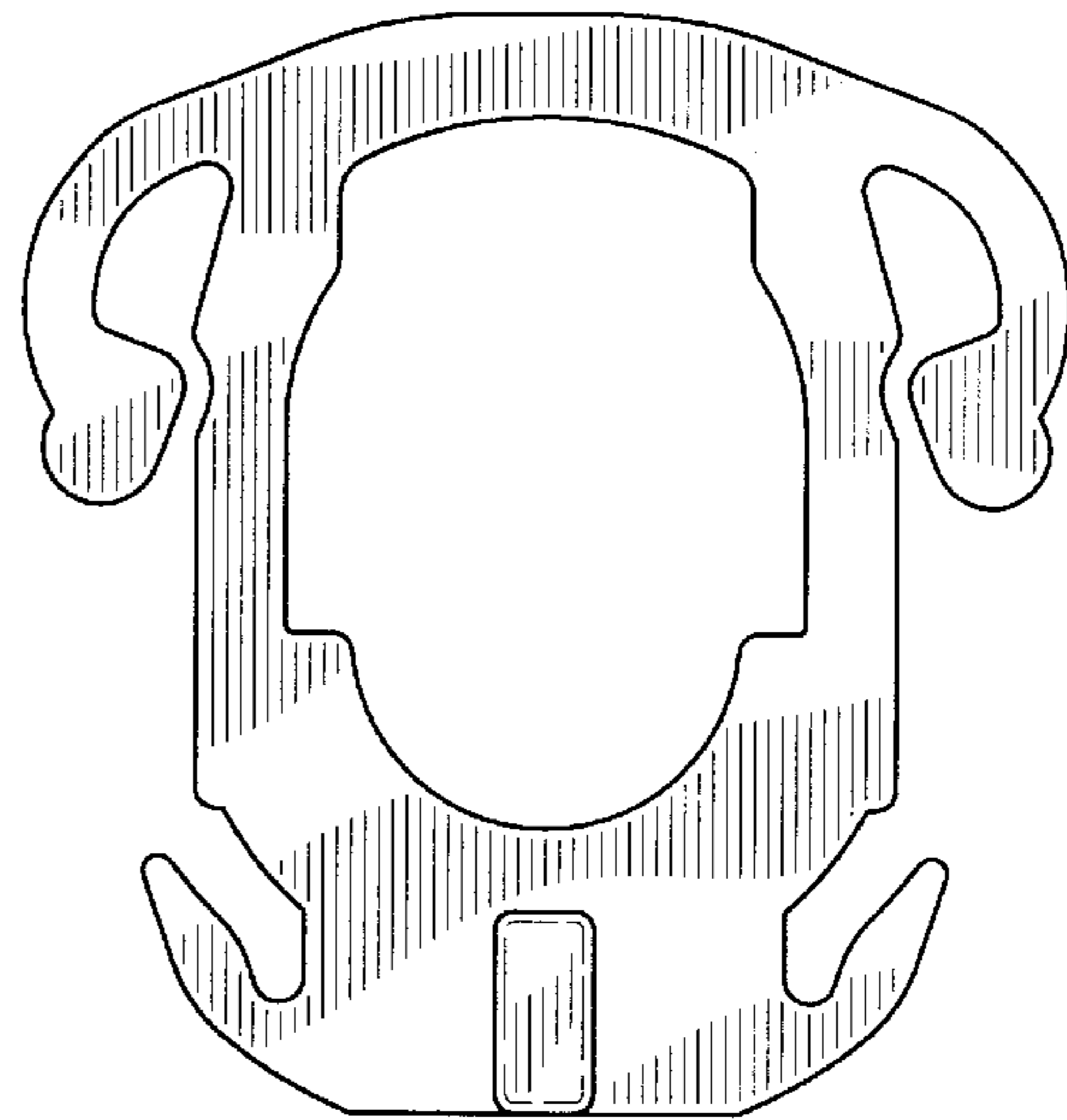


FIG-4

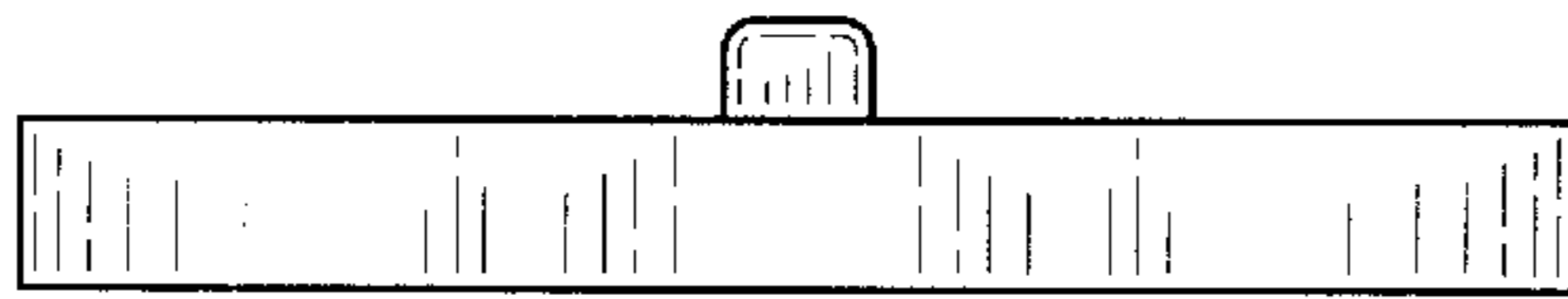


FIG-5



FIG-6



FIG-7

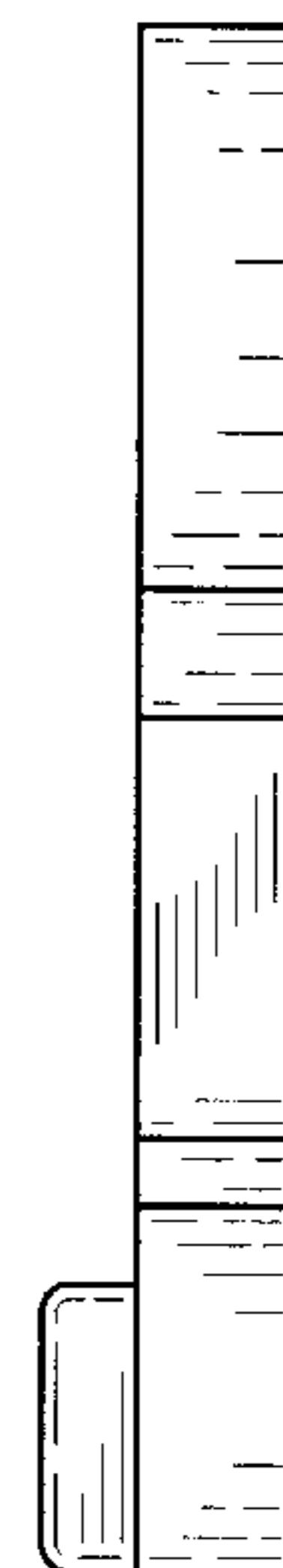


FIG-8