



US00D522848S

(12) **United States Design Patent**
Nawrocki

(10) **Patent No.:** **US D522,848 S**
(45) **Date of Patent:** **** Jun. 13, 2006**

(54) **SHELVING COMPONENT**

5,819,958 A 10/1998 Dement

(75) Inventor: **John Richard Nawrocki**, Ocala, FL
(US)

(Continued)

FOREIGN PATENT DOCUMENTS

(73) Assignee: **Clairson, Inc.**, Newark, DE (US)

CA 2245809 8/1998

(**) Term: **14 Years**

OTHER PUBLICATIONS

(21) Appl. No.: **29/239,194**

U.S. Appl. No. 60/434,470, filed Dec. 18, 2002, Costa, et al.

(22) Filed: **Sep. 27, 2005**

Primary Examiner—Holly H. Baynham

(74) *Attorney, Agent, or Firm*—Harness, Dickey & Pierce, P.L.C.

Related U.S. Application Data

(63) Continuation of application No. 11/231,381, filed on Sep. 21, 2005, which is a continuation-in-part of application No. 11/194,849, filed on Aug. 1, 2005, which is a division of application No. 10/657,855, filed on Sep. 9, 2003, now Pat. No. 6,953,176, which is a continuation of application No. 09/436,363, filed on Nov. 9, 1999, now Pat. No. 6,669,154.

(57) **CLAIM**

The ornamental design for a shelving component, as shown and described.

(51) **LOC (8) Cl.** **08-05**

(52) **U.S. Cl.** **D8/381**

(58) **Field of Classification Search** D8/381,
D8/363; 248/235, 237, 243, 245, 247
See application file for complete search history.

DESCRIPTION

FIG. 1 is a perspective view of a shelving component, showing my new design;
FIG. 2 is a back perspective view of the shelving component shown in FIG. 1;
FIG. 3 is a lower back perspective view of the shelving component shown in FIG. 1;
FIG. 4 is a left side elevation view of the shelving component shown in FIG. 1;
FIG. 5 is a right side elevation view of the shelving component shown in FIG. 1;
FIG. 6 is a back elevation view of the shelving component shown in FIG. 1;
FIG. 7 is a front elevation view of the of the shelving component shown in FIG. 1;
FIG. 8 is a bottom plan view of the shelving component shown in FIG. 1;
FIG. 9 is a top plan view of the shelving component shown in FIG. 1; and,
FIG. 10 is a perspective view of the shelving component shown in FIG. 1 engaged with a track and supporting a wire ventilated support structure.

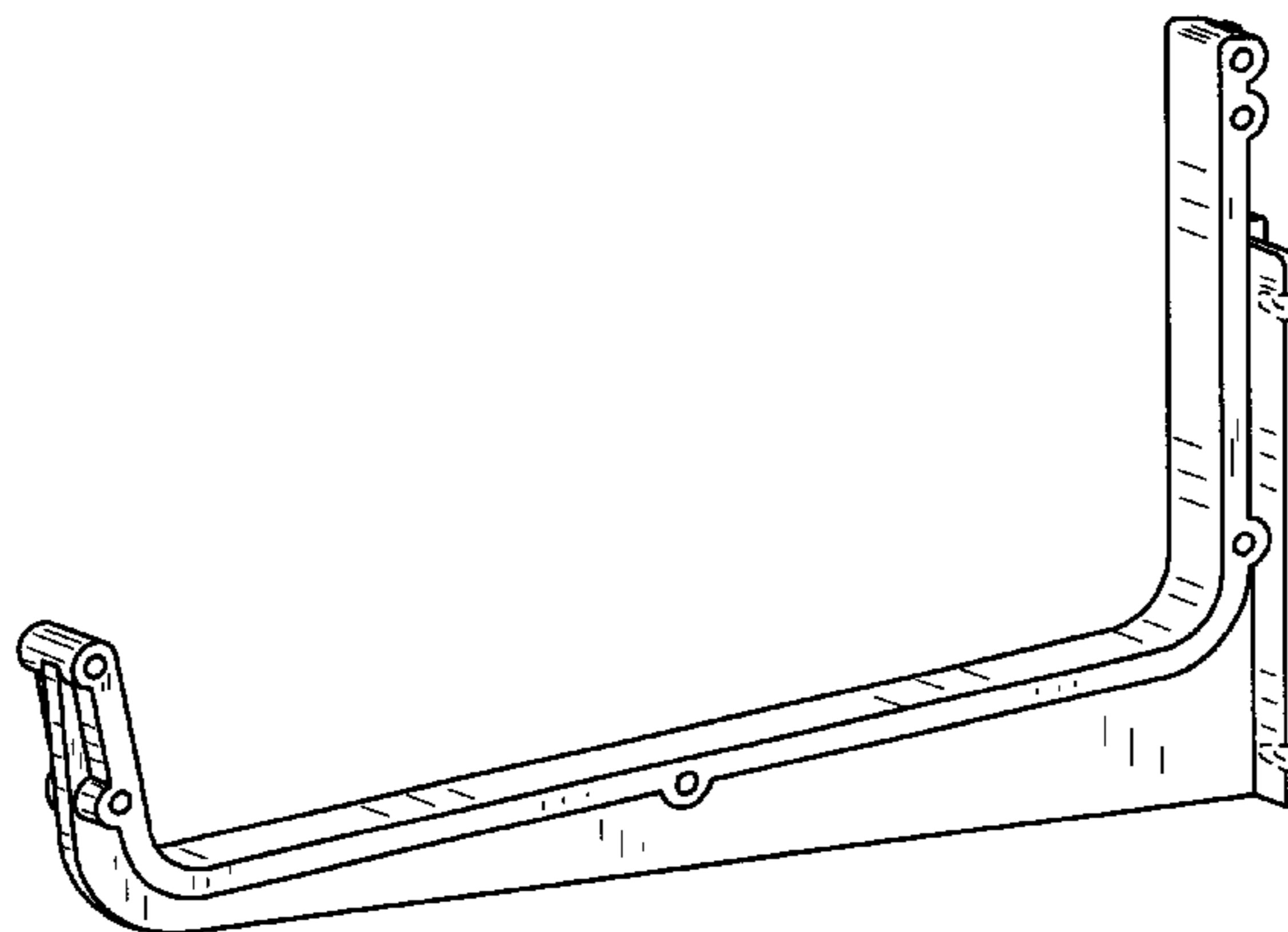
The details shown in broken lines are for illustrative purposes only and form no part of the claimed design.

(56) **References Cited**

U.S. PATENT DOCUMENTS

3,208,406 A	9/1965	Maslow	
3,225,720 A	12/1965	Maslow	
3,763,794 A	10/1973	Fleck	
4,004,526 A	1/1977	King	
D275,434 S	9/1984	Taub	
D284,832 S	* 7/1986	Parker D8/380
4,666,201 A	5/1987	Chap	
4,678,151 A	7/1987	Radek	
4,694,966 A	9/1987	Sorenson et al.	
4,843,977 A	7/1989	Bridges	
5,027,959 A	7/1991	Luukkonen	
5,101,989 A	4/1992	Jones	
5,110,080 A	5/1992	Rieman	
5,135,194 A	8/1992	Laughon et al.	
5,185,971 A	2/1993	Johnson, Jr.	
5,513,908 A	5/1996	Williams	
5,638,644 A	6/1997	Bastian	

1 Claim, 5 Drawing Sheets



US D522,848 S

Page 2

U.S. PATENT DOCUMENTS			
5,897,002	A	4/1999	Carlino
6,050,426	A	4/2000	Leurdijk
D425,734	S	5/2000	Bauer
6,119,878	A	9/2000	Zen
6,135,298	A	10/2000	Lechman
D447,683	S	* 9/2001	Grosfillex D8/381
6,290,075	B1	9/2001	Cheimets et al.
6,460,469	B1	10/2002	Dickinson et al.
6,520,355	B1	2/2003	Pritchard et al.
6,575,315	B1	6/2003	Zidek
6,659,295	B1	12/2003	De Land et al.
6,666,153	B1	12/2003	Dickinson et al.
6,669,154	B1	12/2003	Remmers
6,758,355	B1	7/2004	Zedek
D508,646	S	* 8/2005	Gates et al. D8/381
2004/0007549	A1	1/2004	Klein et al.
2004/0045919	A1	3/2004	Remmers
2005/0011420	A1	1/2005	Costa et al.
2005/0145588	A1	7/2005	Stitchick et al.

* cited by examiner

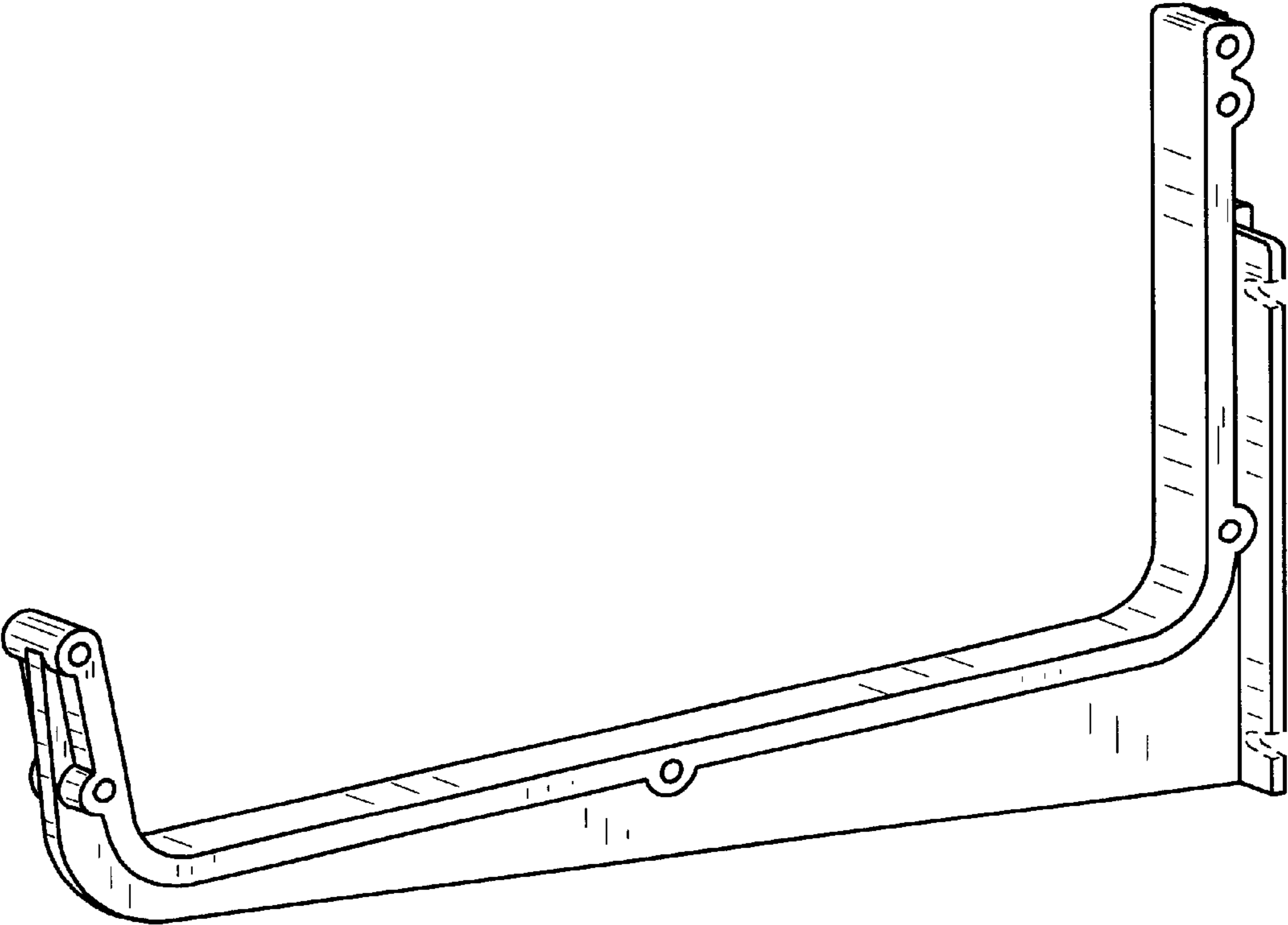
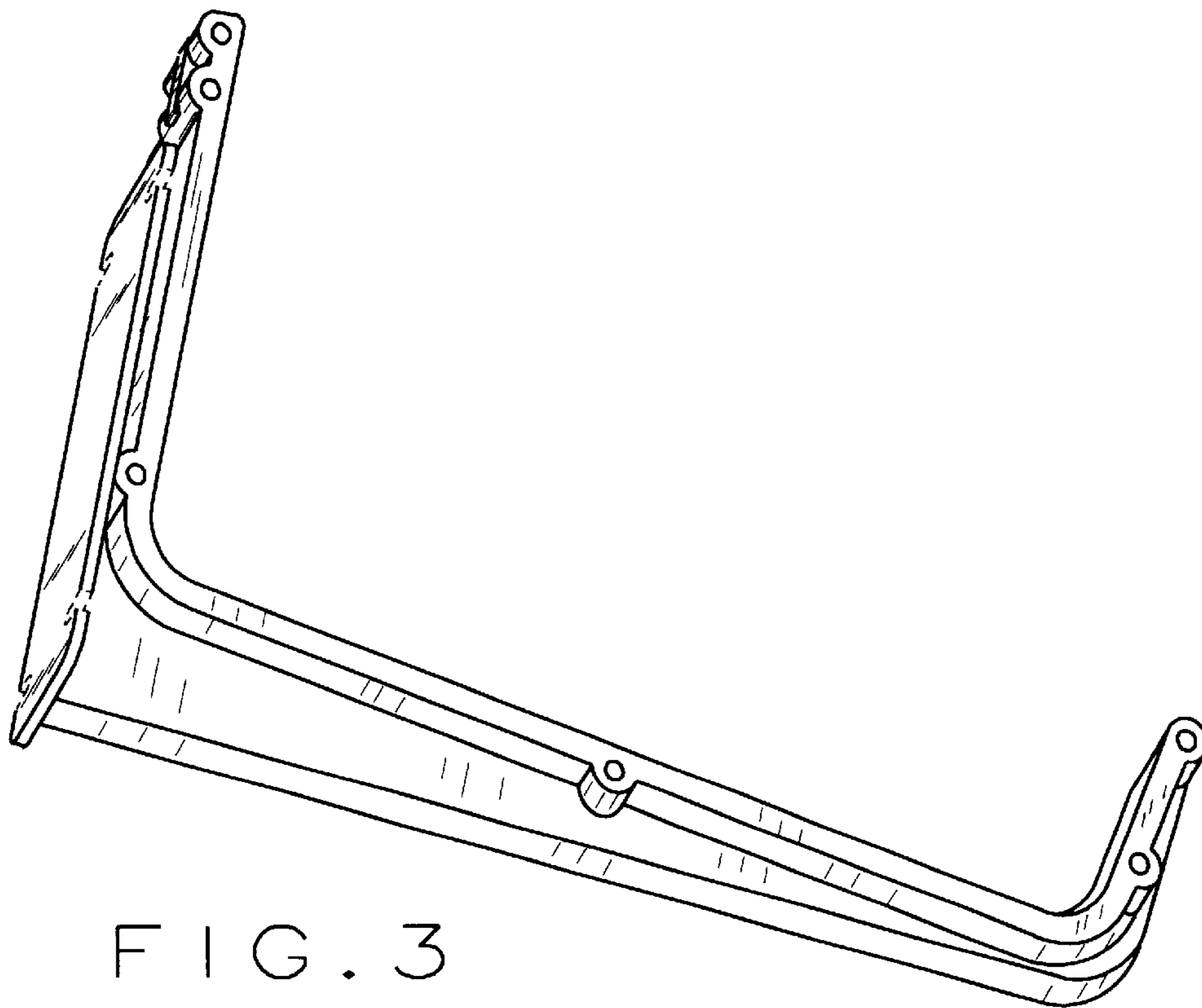
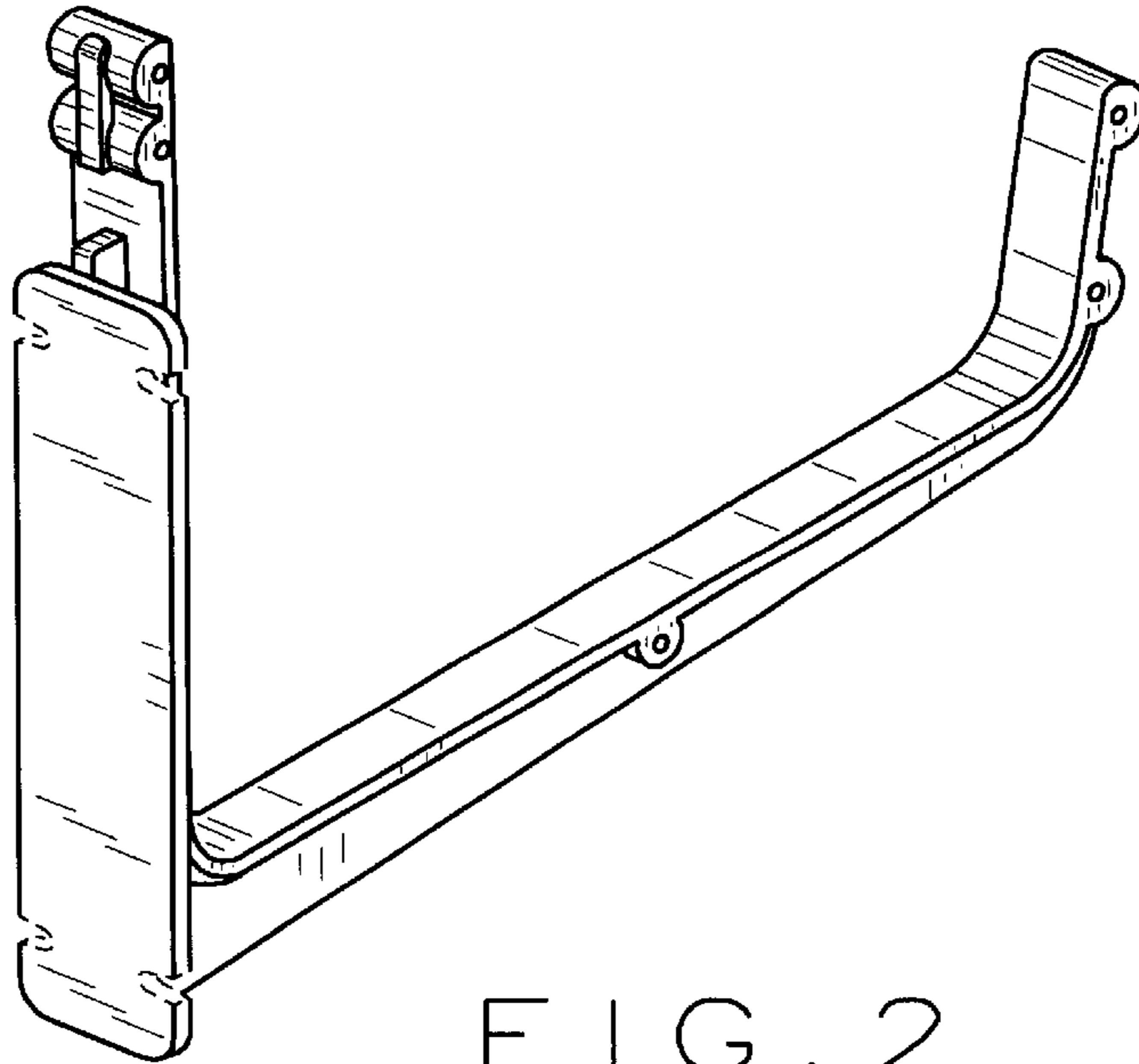


FIG. 1



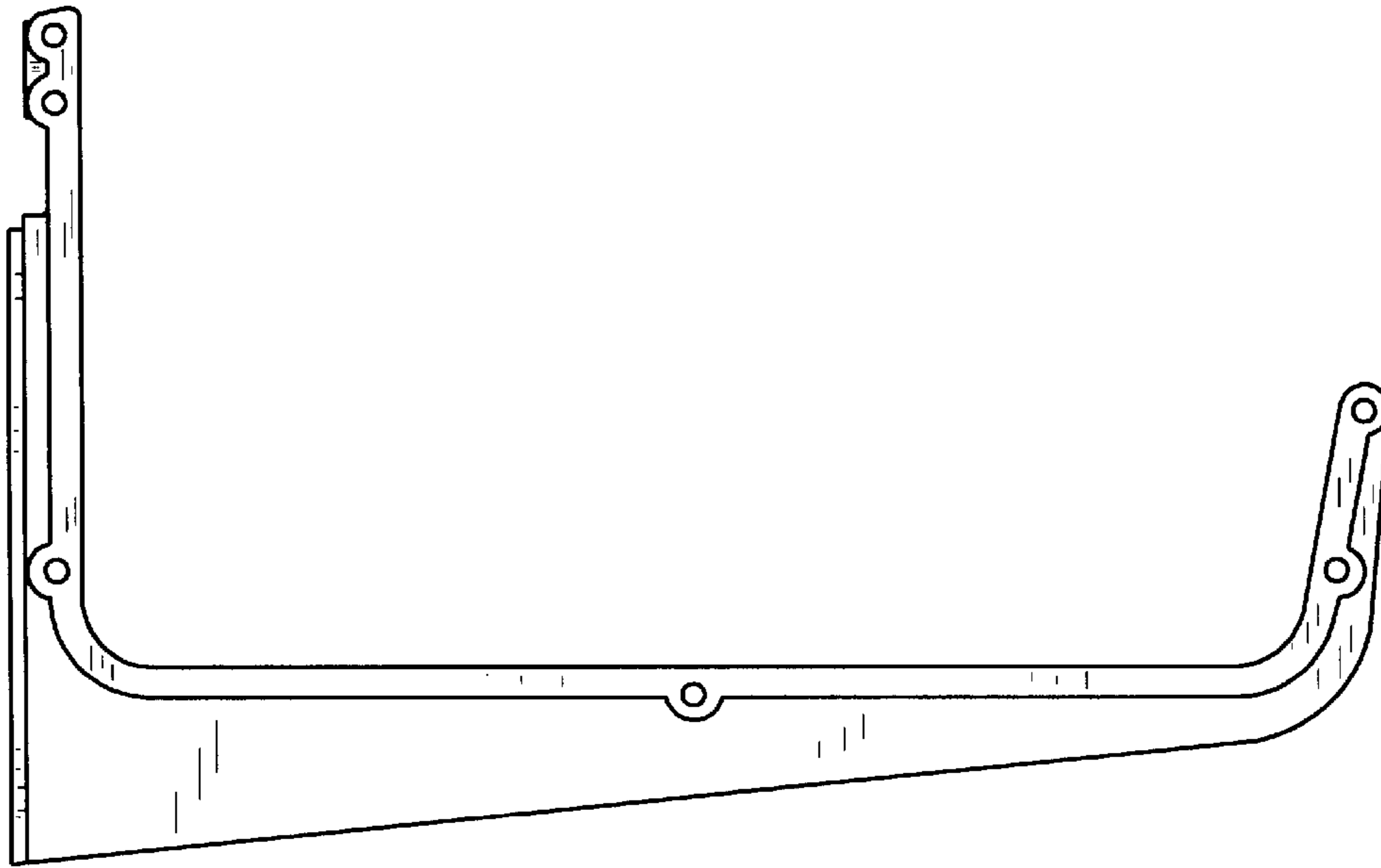


FIG. 4

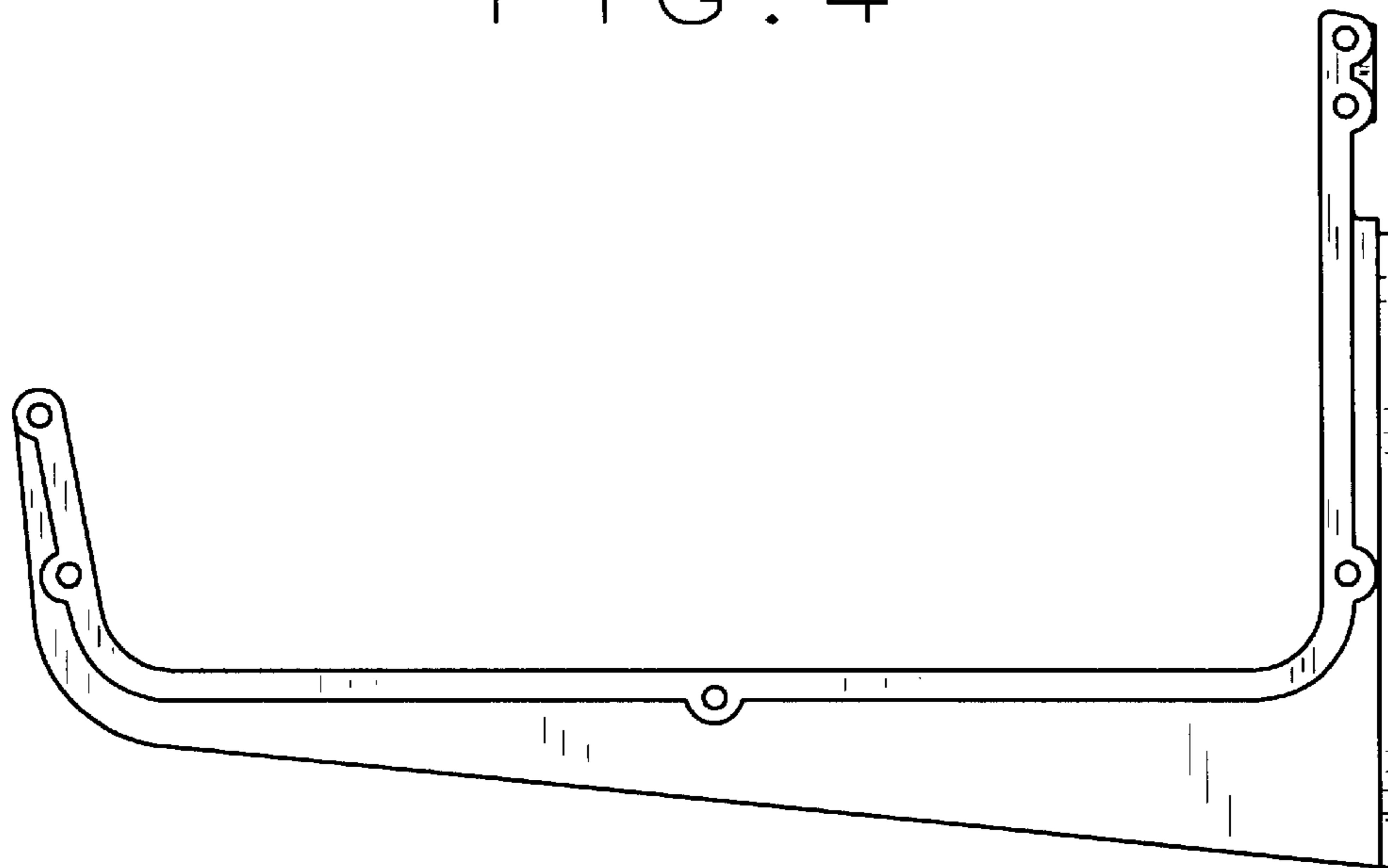


FIG. 5

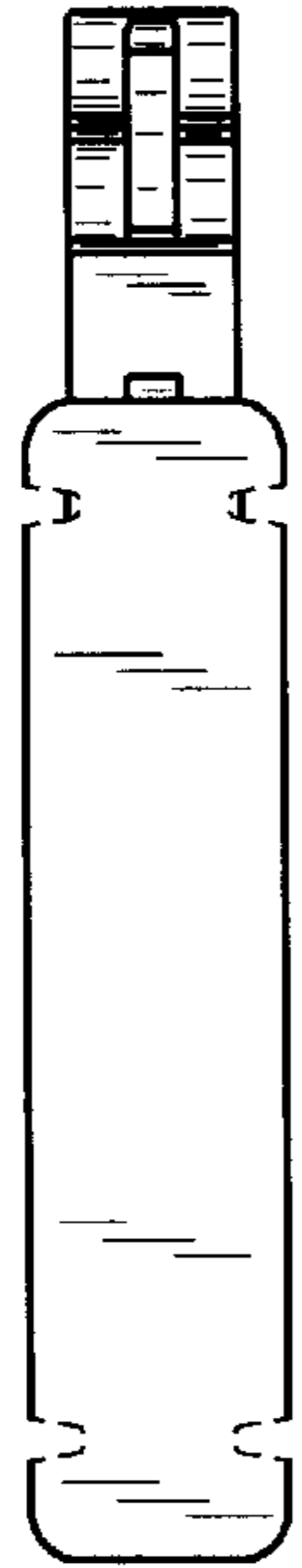


FIG. 6

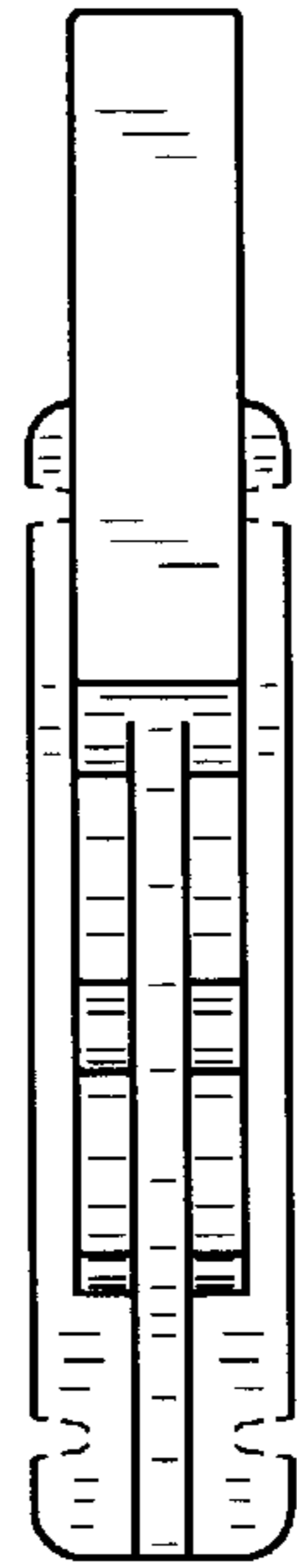


FIG. 7

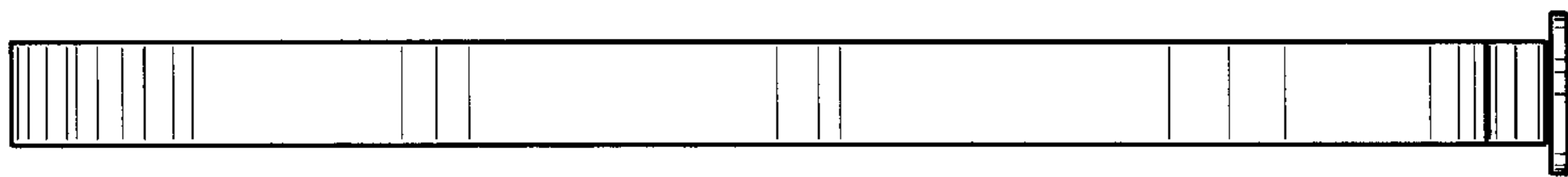


FIG. 8

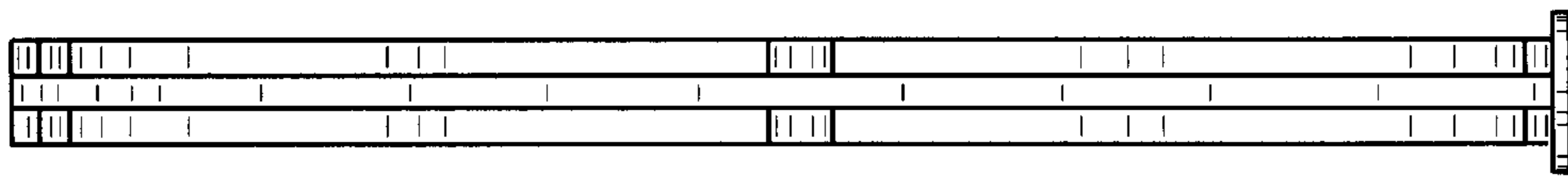


FIG. 9

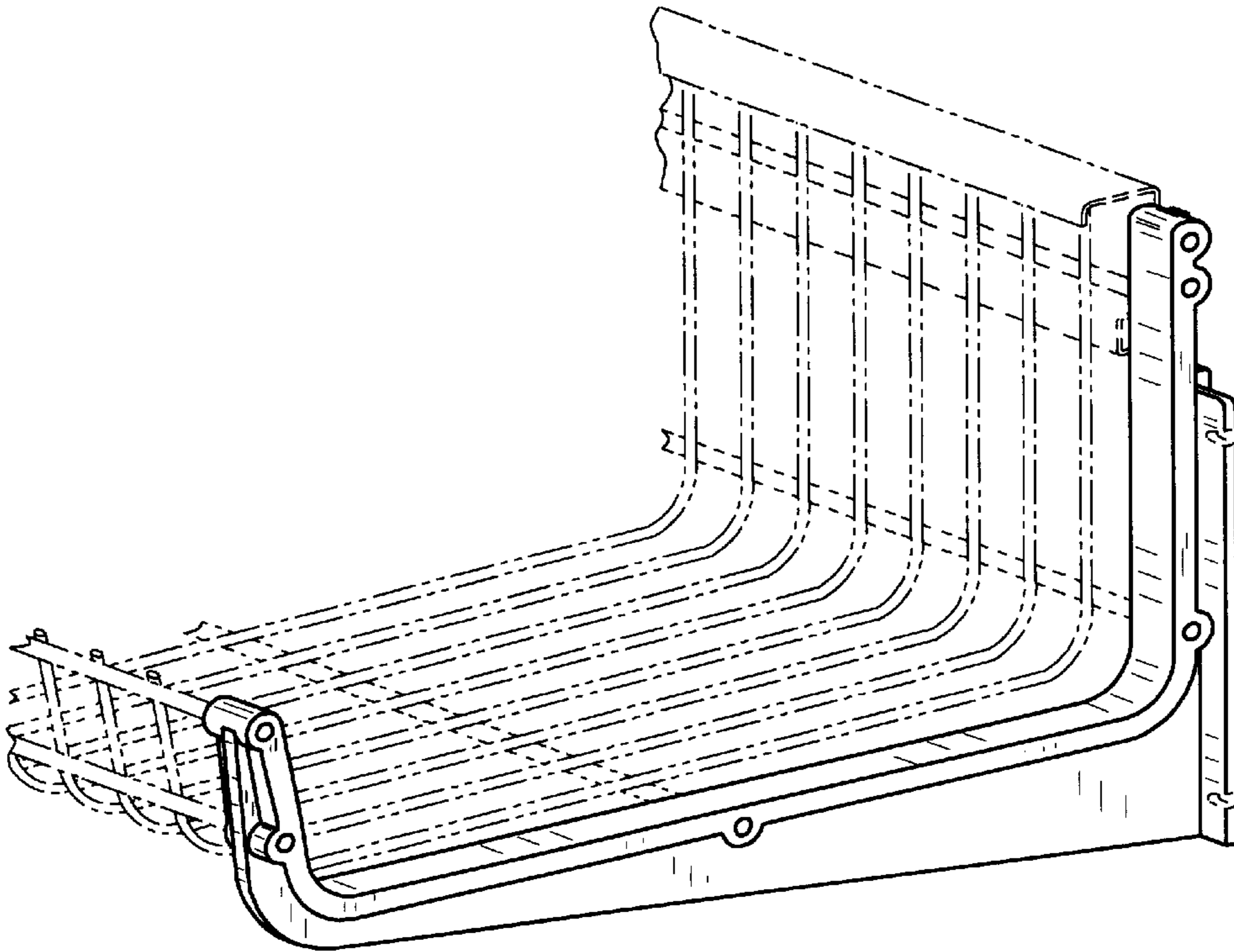


FIG. 10