

US00D522847S

(12) **United States Design Patent**  
**Suero, Jr.**

(10) **Patent No.:** **US D522,847 S**  
(45) **Date of Patent:** **\*\* Jun. 13, 2006**

- (54) **END CAP FOR SUPPORT ROD**
- (75) Inventor: **Jose E. Suero, Jr.**, Newark, DE (US)
- (73) Assignee: **Zenith Products Corp.**, New Castle, DE (US)
- (\*\*) Term: **14 Years**
- (21) Appl. No.: **29/232,333**
- (22) Filed: **Jun. 17, 2005**
- (51) **LOC (8) Cl.** ..... **08-05**
- (52) **U.S. Cl.** ..... **D8/376; D8/378**
- (58) **Field of Classification Search** ..... D8/300, D8/301, 307, 310, 312, 319-320, 376-378; D6/524; D26/154; 211/86.01, 87.01; 428/28; 16/110.1, 414, 417, 441  
See application file for complete search history.

D368,841 S	*	4/1996	Merino	.....	D8/310
D372,185 S	*	7/1996	Doughty et al.	.....	D8/310
D383,371 S	*	9/1997	Doughty et al.	.....	D8/310
D404,292 S	*	1/1999	Weber	.....	D8/378
D438,755 S	*	3/2001	Rae	.....	D7/393
D492,887 S	*	7/2004	Wu	.....	D8/310
D506,665 S	*	6/2005	Sun et al.	.....	D8/310
D511,291 S	*	11/2005	Van Handel	.....	D8/310

\* cited by examiner

*Primary Examiner*—Holly Baynham  
*Assistant Examiner*—Cynthia M. Chin  
(74) *Attorney, Agent, or Firm*—Akin Gump Strass Hauer & Feld, LLP

(57) **CLAIM**

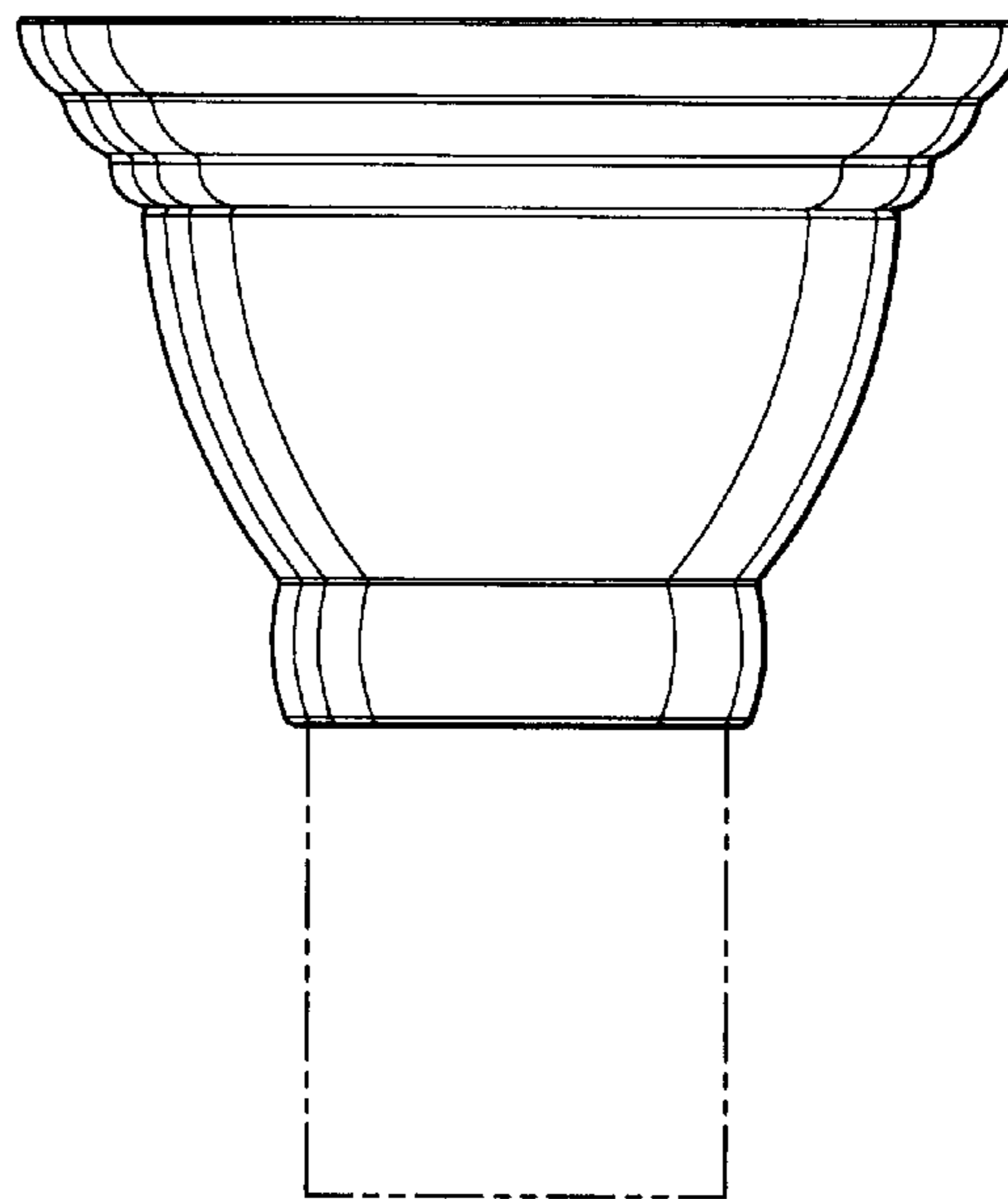
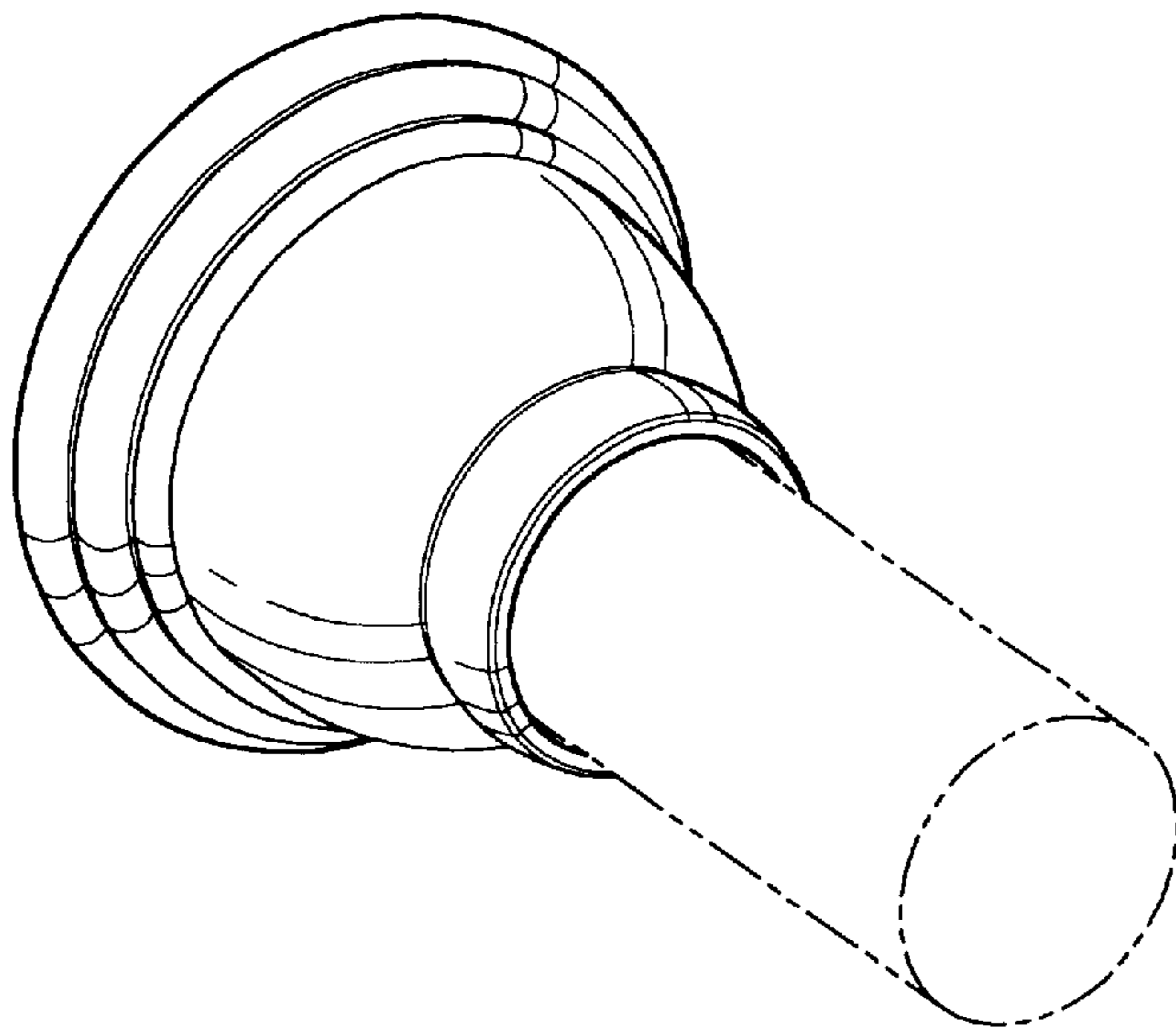
The ornamental design for an end cap for support rod, as shown and described.

**DESCRIPTION**

FIG. 1 is a perspective view of an end cap for support rod showing my new design; FIG. 2 is a side view thereof; and, FIG. 3 is a front end view thereof. The broken lines are for illustrative purposes only and form no part of the claimed design.

**1 Claim, 1 Drawing Sheet**

- (56) **References Cited**  
U.S. PATENT DOCUMENTS
- D173,850 S \* 1/1955 Ohno ..... D8/310
- D179,458 S \* 12/1956 Ohno ..... D8/310
- D199,927 S \* 12/1964 Schlage ..... D8/310
- D238,241 S \* 12/1975 Ziakin ..... D7/393
- D301,681 S \* 6/1989 Jans ..... D8/312



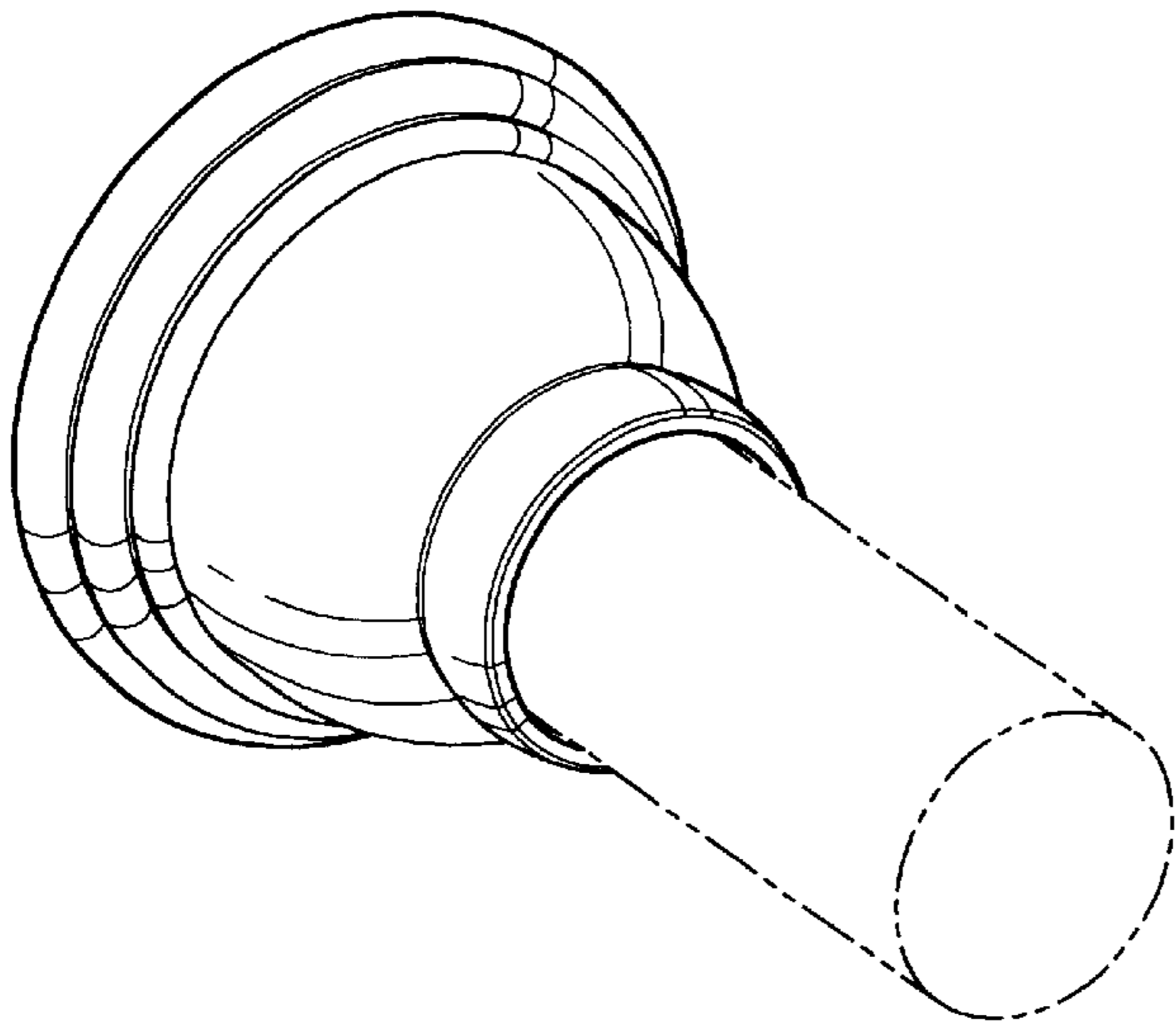


Fig-1

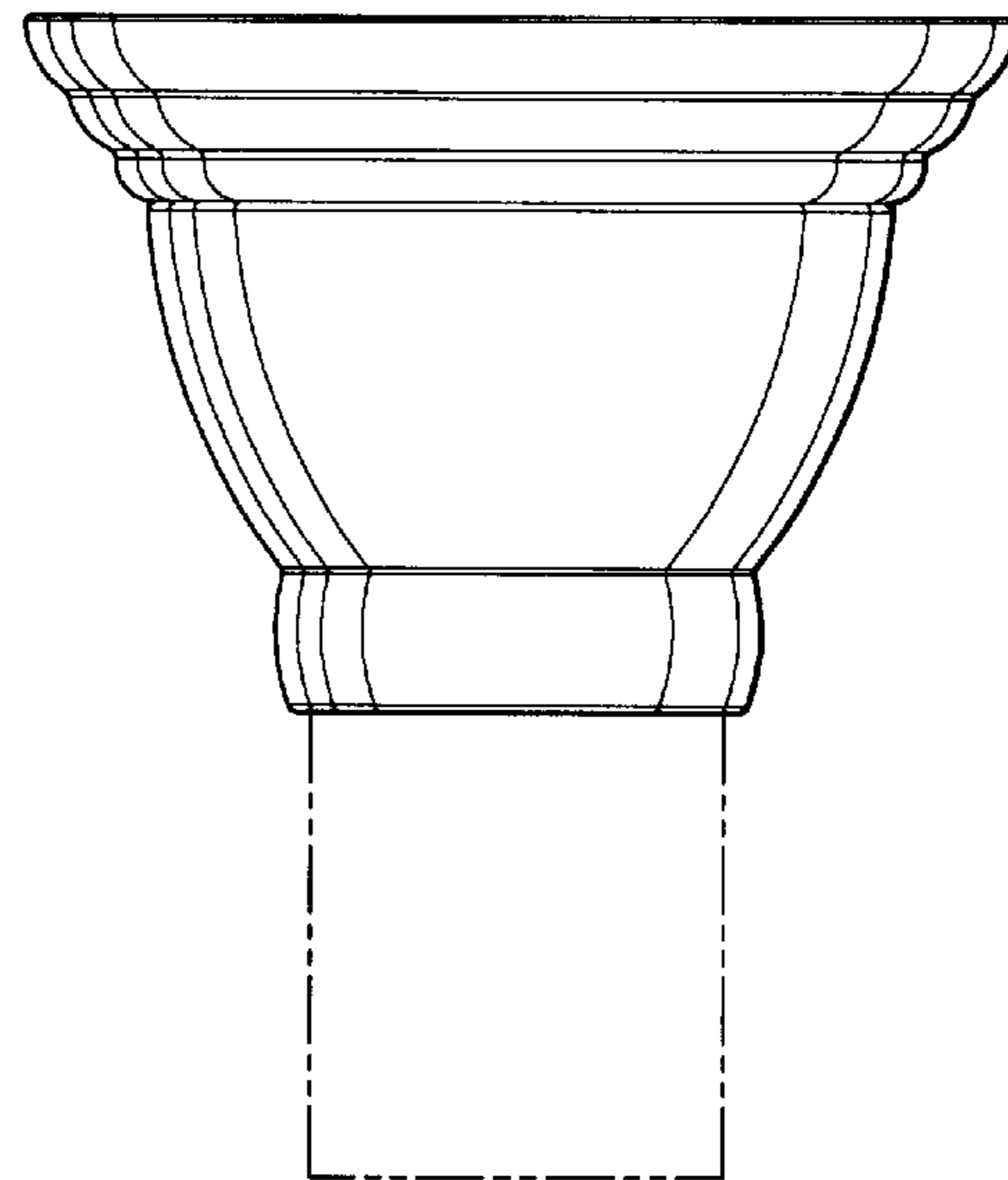


Fig-2

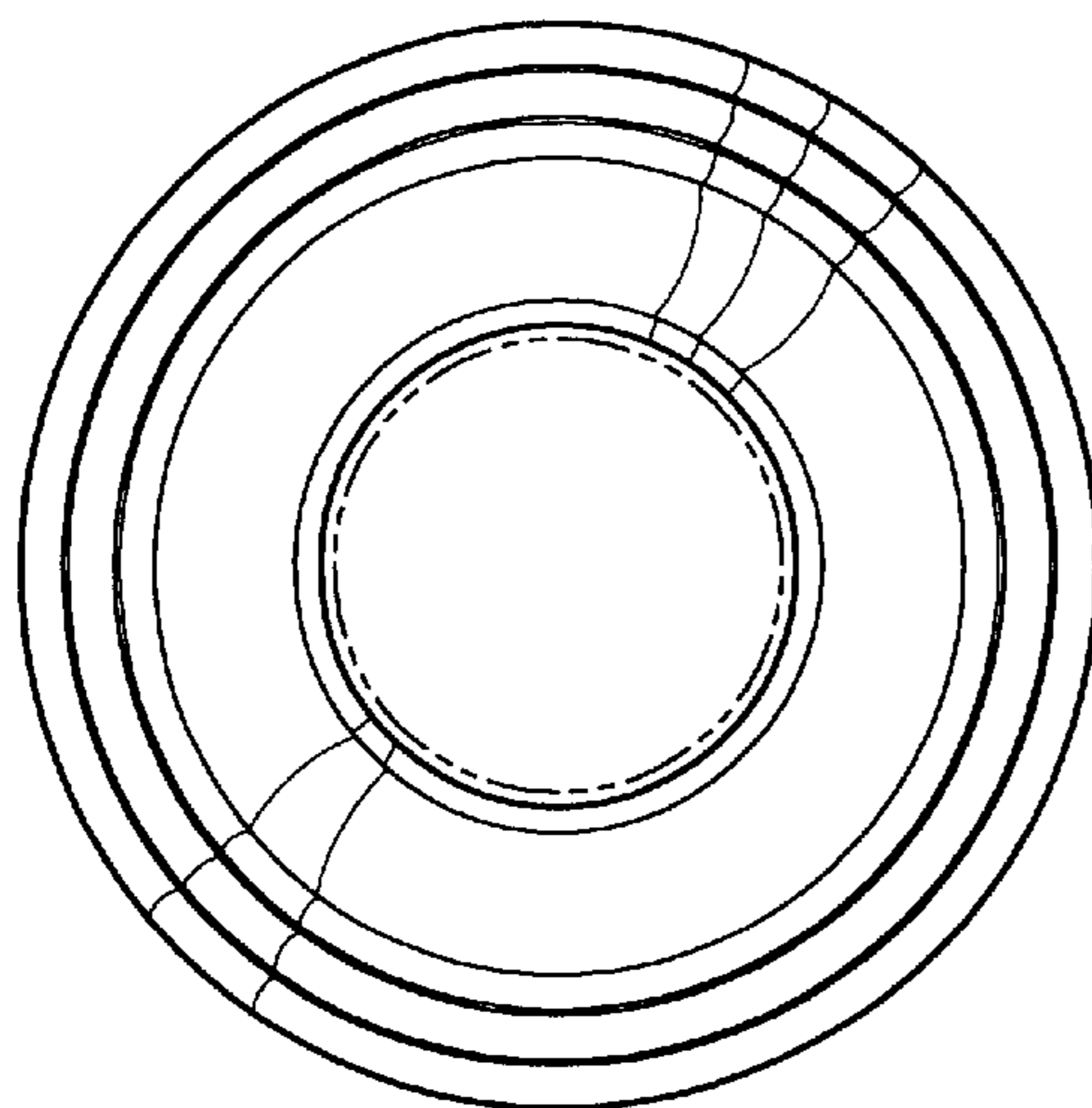


Fig-3