



US00D522846S

(12) **United States Design Patent**  
**Suero, Jr.**

(10) **Patent No.:** **US D522,846 S**  
(45) **Date of Patent:** **\*\* Jun. 13, 2006**

(54) **END CAP FOR SUPPORT ROD**  
(75) Inventor: **Jose E. Suero, Jr.**, Newark, DE (US)  
(73) Assignee: **Zenith Products Corp.**, New Castle, DE (US)  
(\*\*) Term: **14 Years**

D368,841 S \* 4/1996 Merino ..... D8/310  
D372,185 S \* 7/1996 Doughty et al. .... D8/310  
D383,371 S \* 9/1997 Doughty et al. .... D8/310  
D404,292 S \* 1/1999 Weber ..... D8/378  
D438,755 S \* 3/2001 Rae ..... D7/393  
D492,887 S \* 7/2004 Wu ..... D8/310  
D506,665 S \* 6/2005 Sun et al. .... D8/310  
D511,291 S \* 11/2005 Van Handel ..... D8/310

\* cited by examiner

(21) Appl. No.: **29/232,329**  
(22) Filed: **Jun. 17, 2005**  
(51) **LOC (8) Cl.** ..... **08-05**  
(52) **U.S. Cl.** ..... **D8/376; D8/378**  
(58) **Field of Classification Search** ..... D8/300,  
D8/301, 307, 310, 312, 319-320, 376-378;  
D6/524; D26/154; 211/86.01, 87.01; 428/28;  
16/110.1, 414, 417, 441  
See application file for complete search history.

*Primary Examiner*—Holly Baynham  
*Assistant Examiner*—Cynthia M. Chin  
(74) *Attorney, Agent, or Firm*—Akin Gump Strauss Hauer & Feld, LLP

(57) **CLAIM**

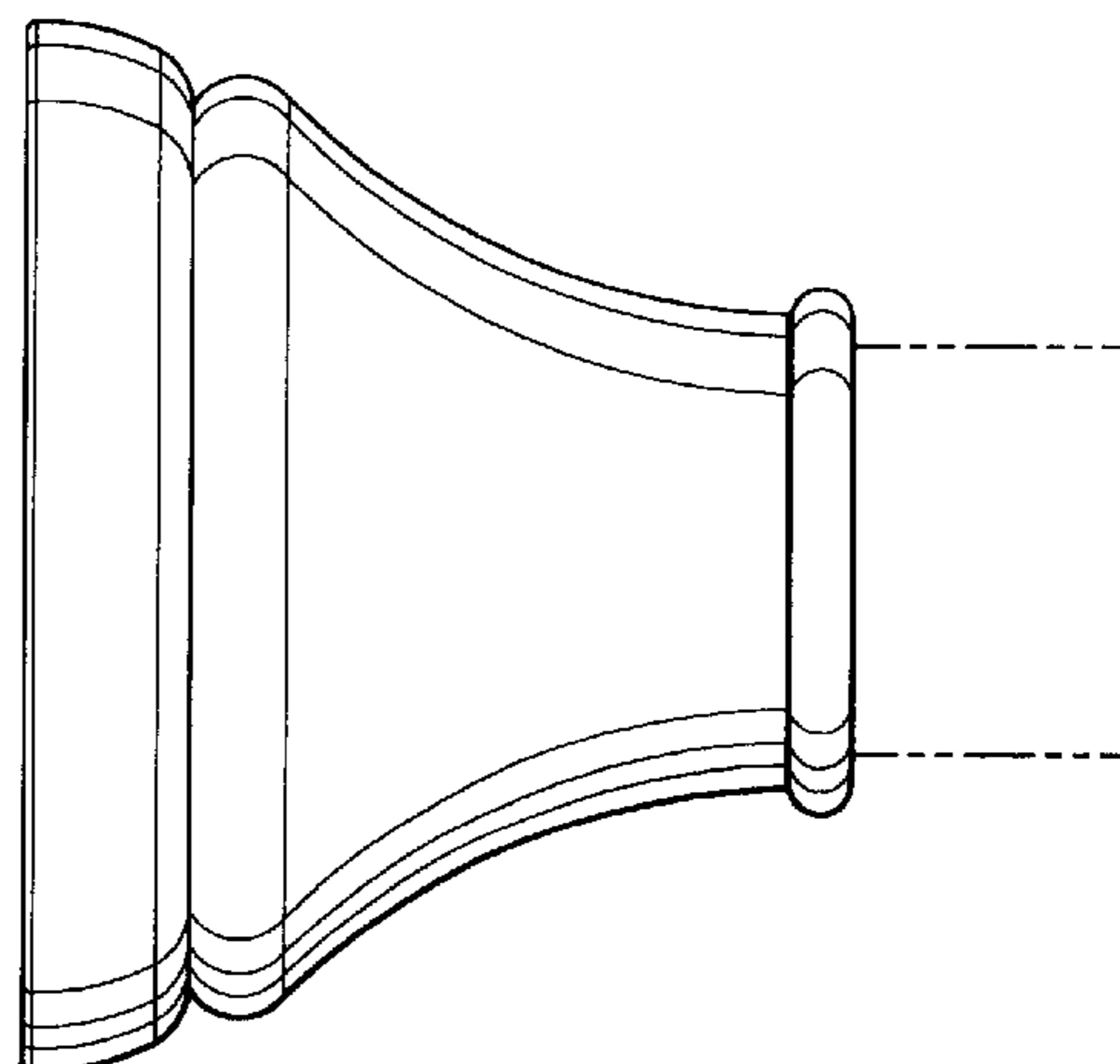
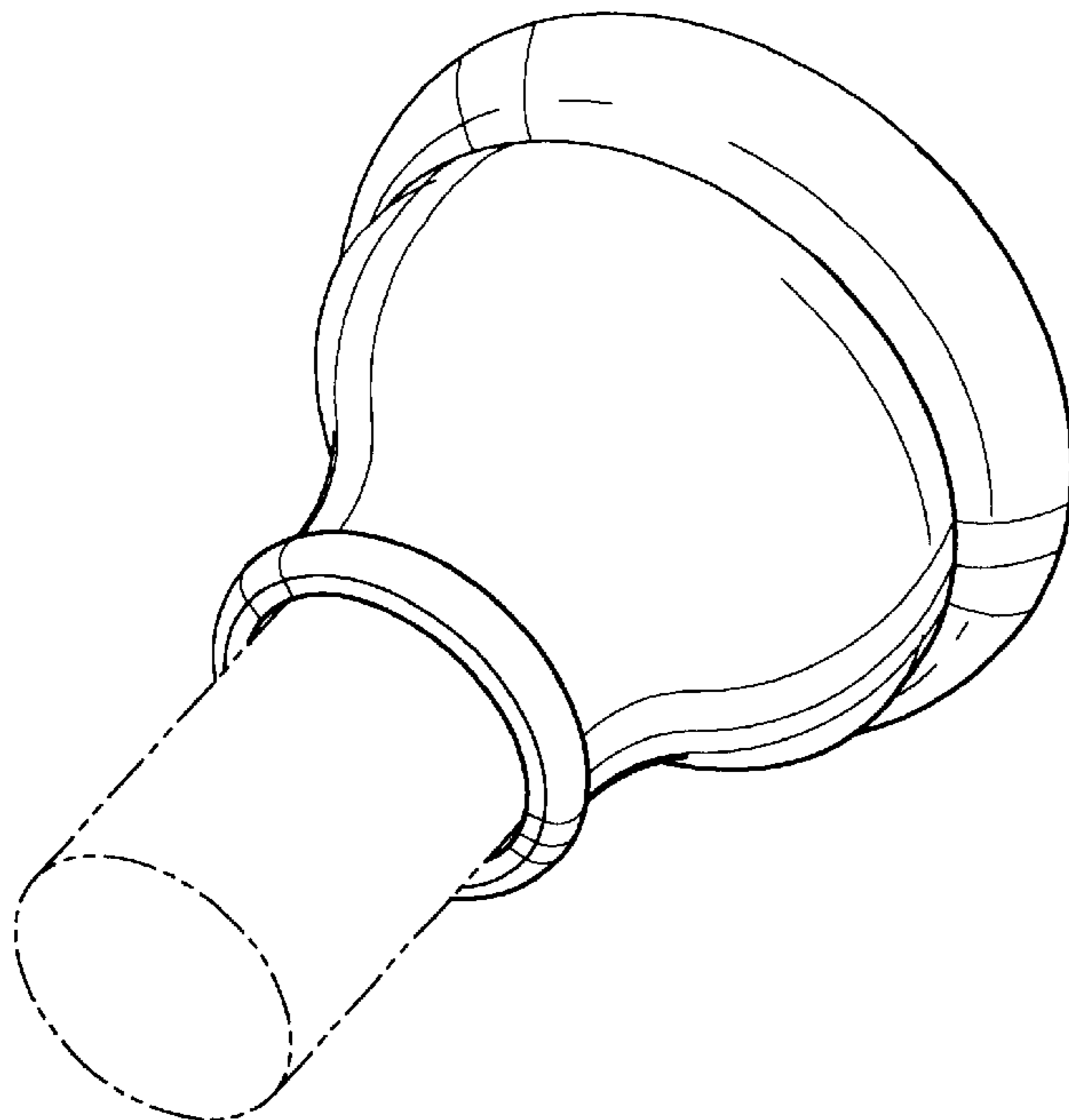
The ornamental design for an end cap for support rod, as shown and described.

**DESCRIPTION**

FIG. 1 is a perspective view of an end cap for support rod showing my new design; FIG. 2 is a side view thereof; and, FIG. 3 is a front end view thereof. The broken lines are for illustrative purposes only and form no part of the claimed design.

(56) **References Cited**  
U.S. PATENT DOCUMENTS  
D173,850 S \* 1/1955 Ohno ..... D8/310  
D179,458 S \* 12/1956 Ohno ..... D8/310  
D199,927 S \* 12/1964 Schlage ..... D8/310  
D238,241 S \* 12/1975 Ziakin ..... D7/393  
D301,681 S \* 6/1989 Jans ..... D8/312

**1 Claim, 1 Drawing Sheet**



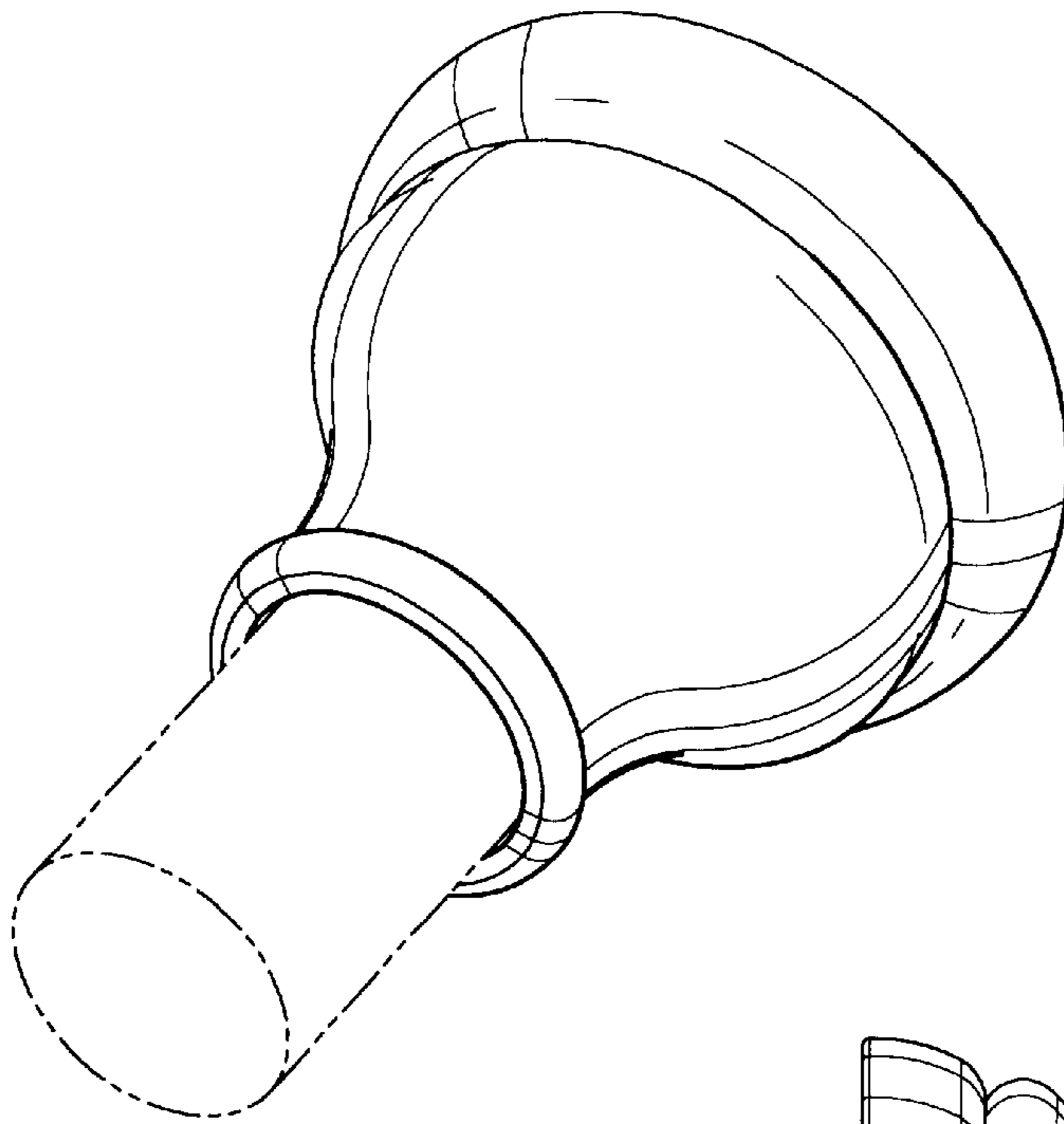


Fig-1

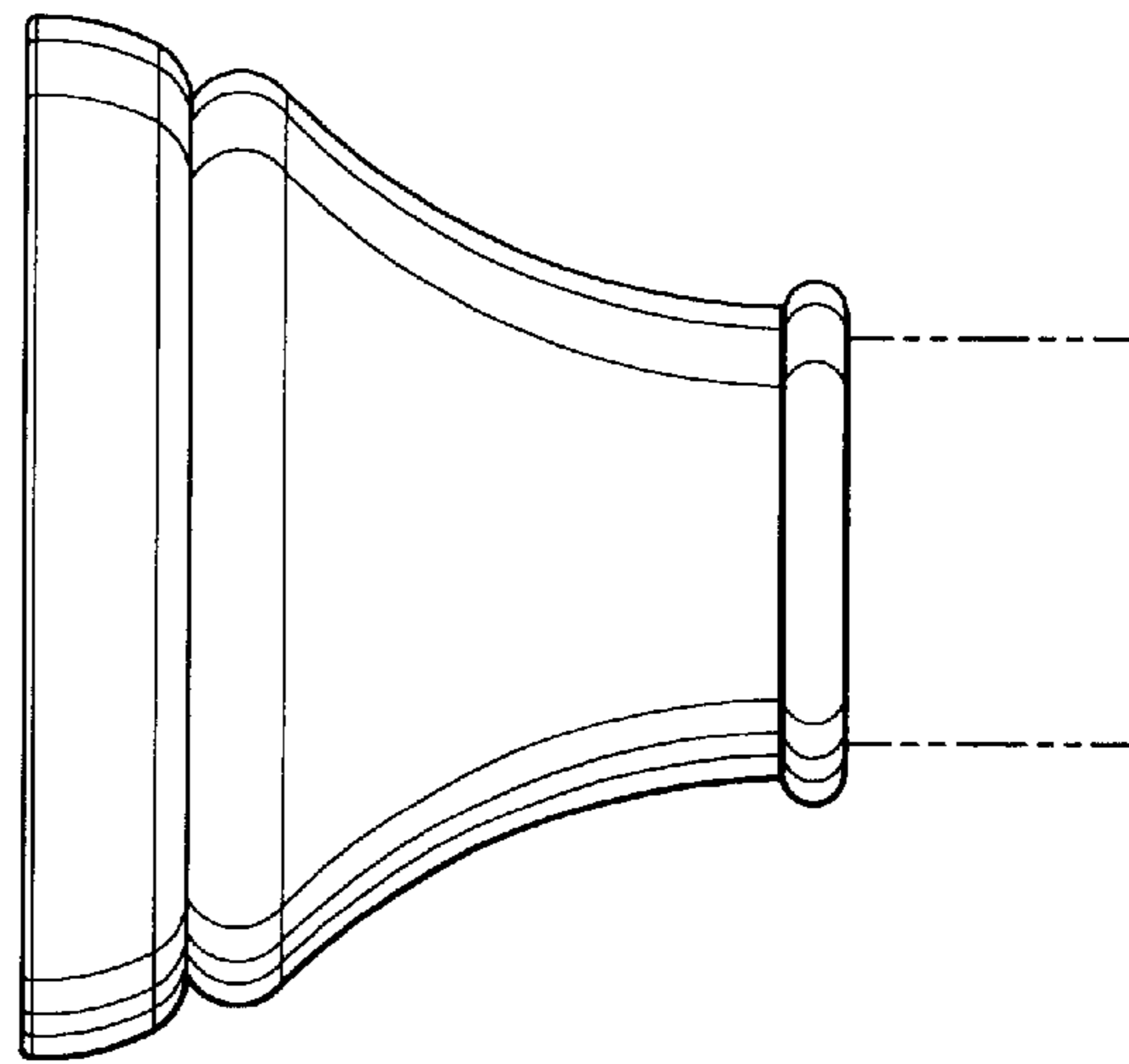


Fig-2

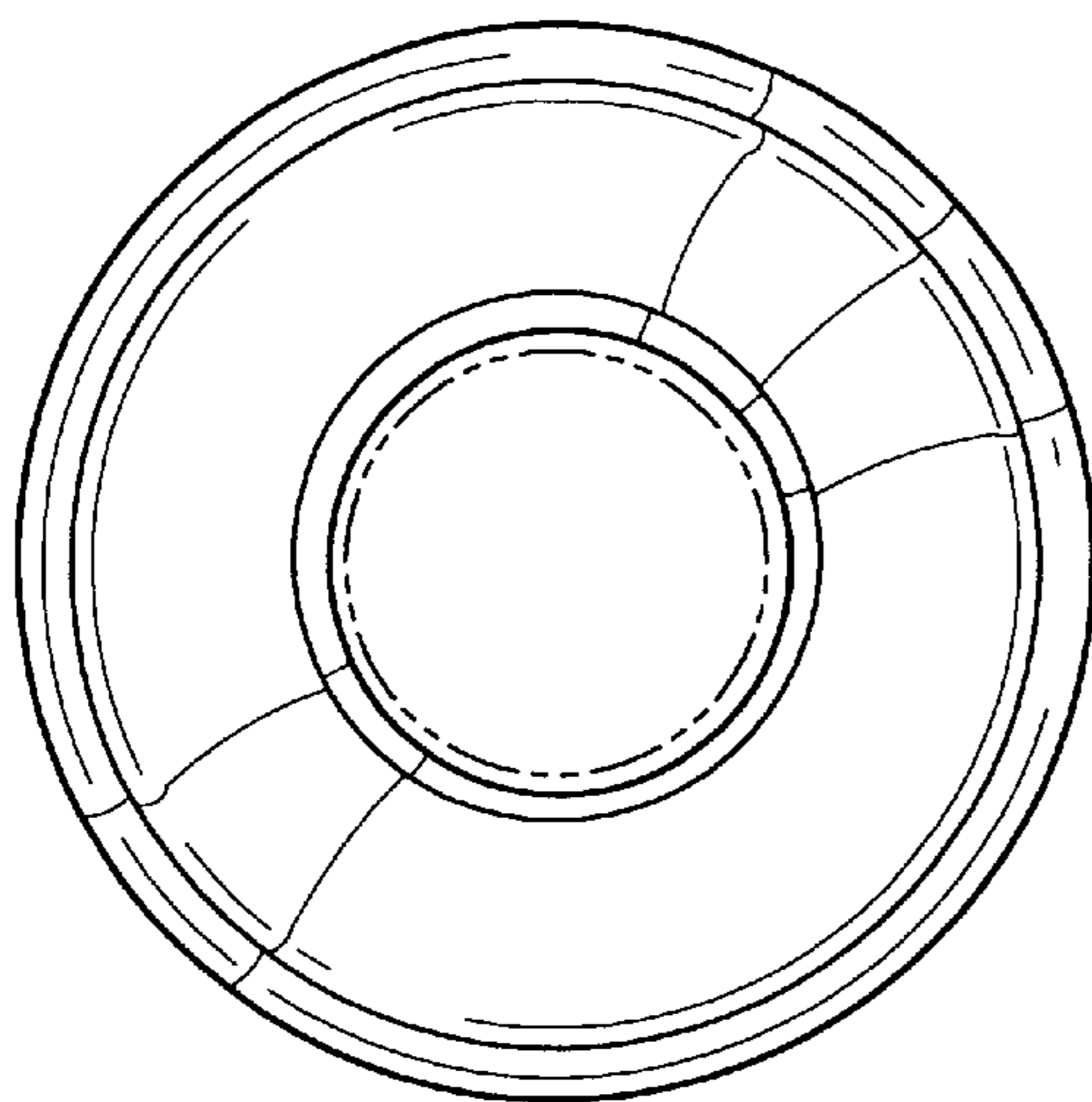


Fig-3