



US00D522845S

(12) **United States Design Patent**
Suero

(10) **Patent No.:** **US D522,845 S**

(45) **Date of Patent:** **** Jun. 13, 2006**

(54) **END CAP FOR SUPPORT ROD**

(75) Inventor: **Jose Suero**, Newark, DE (US)

(73) Assignee: **Zenith Products Corp.**, New Castle, DE (US)

(**) Term: **14 Years**

(21) Appl. No.: **29/232,327**

(22) Filed: **Jun. 17, 2005**

(51) **LOC (8) Cl.** **08-05**

(52) **U.S. Cl.** **D8/376; D8/378**

(58) **Field of Classification Search** D8/300,
D8/301, 307, 310, 312, 319-320, 376-378;
D6/524; D26/154; 211/86.01, 87.01; 428/28;
16/110.1, 414, 417, 441

See application file for complete search history.

(56) **References Cited**

U.S. PATENT DOCUMENTS

D173,850 S	*	1/1955	Ohno	D8/310
D179,458 S	*	12/1956	Ohno	D8/310
D199,927 S	*	12/1964	Schlage	D8/310
D238,241 S	*	12/1975	Ziakin	D7/393
D301,681 S	*	6/1989	Jans	D8/312

D368,841 S	*	4/1996	Merino	D8/310
D372,185 S	*	7/1996	Doughty et al.	D8/310
D383,371 S	*	9/1997	Doughty et al.	D8/310
D404,292 S	*	1/1999	Weber	D8/378
D438,755 S	*	3/2001	Rae	D7/393
D492,887 S	*	7/2004	Wu	D8/310
D506,665 S	*	6/2005	Sun et al.	D8/310
D511,291 S	*	11/2005	Van Handel	D8/310

* cited by examiner

Primary Examiner—Holly Baynham

Assistant Examiner—Cynthia M. Chin

(74) *Attorney, Agent, or Firm*—Akin Gump Strauss Hauer & Feld, LLP

(57) **CLAIM**

The ornamental design for an end cap for support rod, as shown and described.

DESCRIPTION

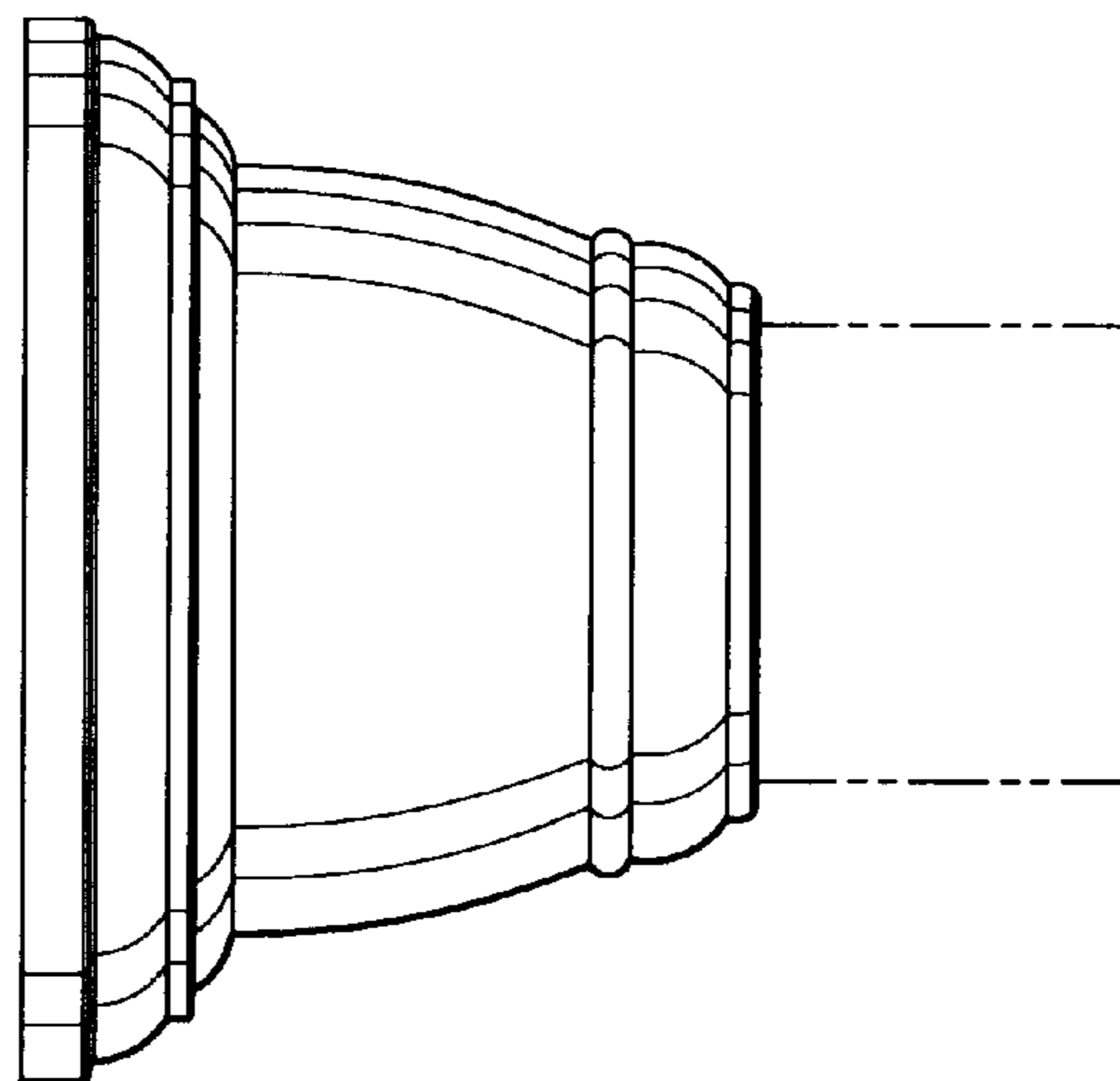
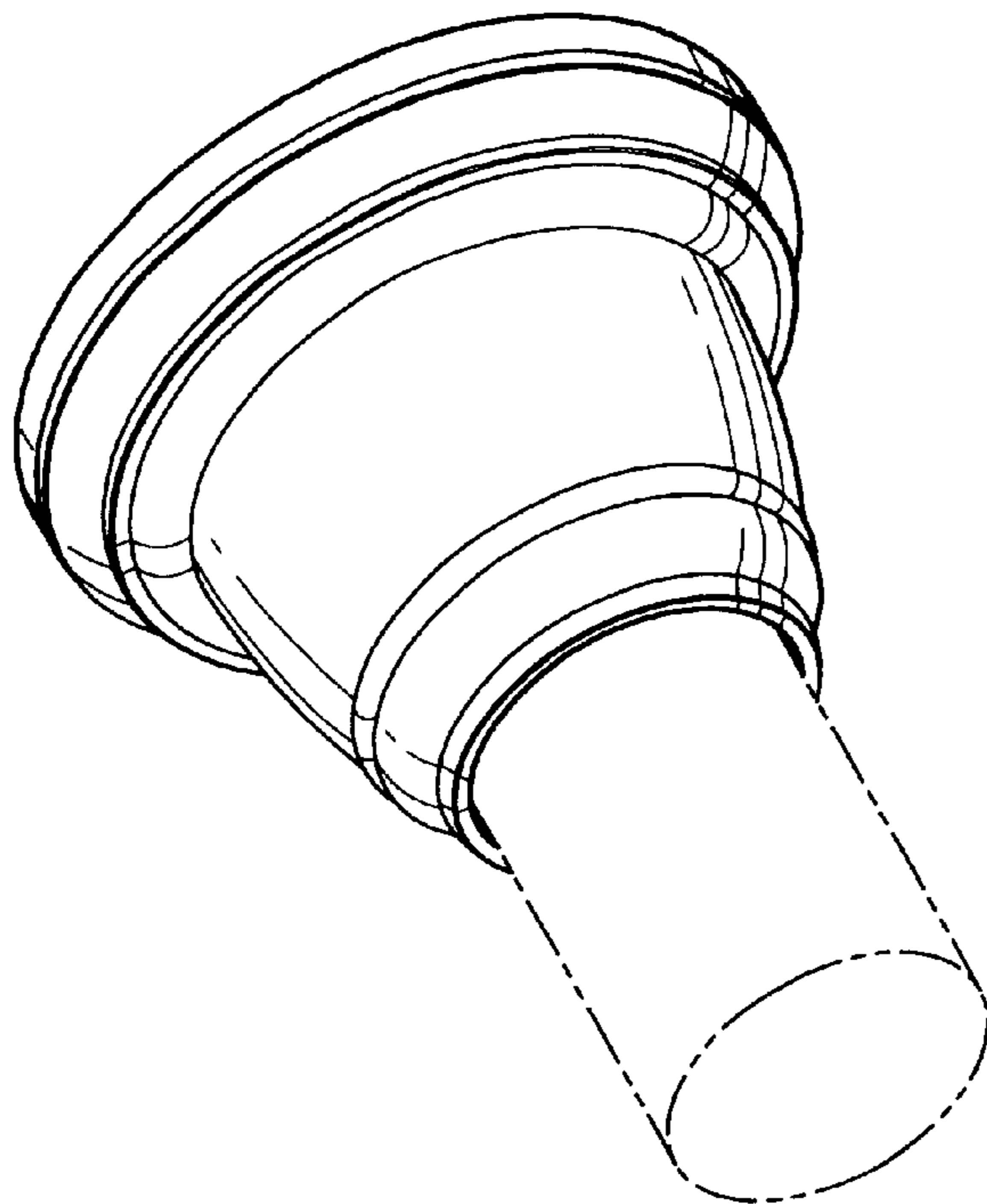
FIG. 1 is a perspective view of an end cap for support rod showing my new design;

FIG. 2 is a side view thereof; and,

FIG. 3 is a front end view thereof.

The broken lines are for illustrative purposes only and form no part of the claimed design.

1 Claim, 1 Drawing Sheet



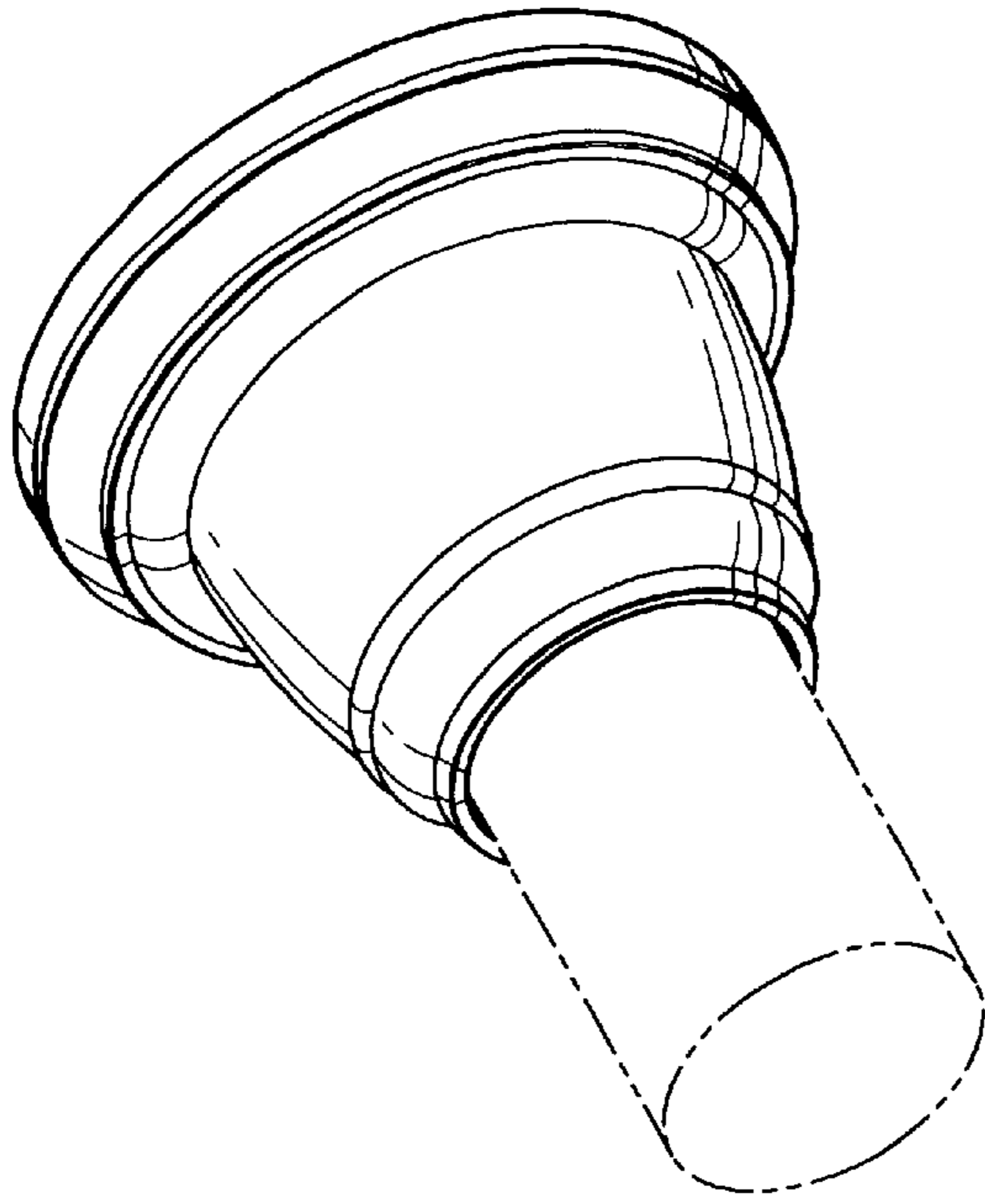


Fig-1

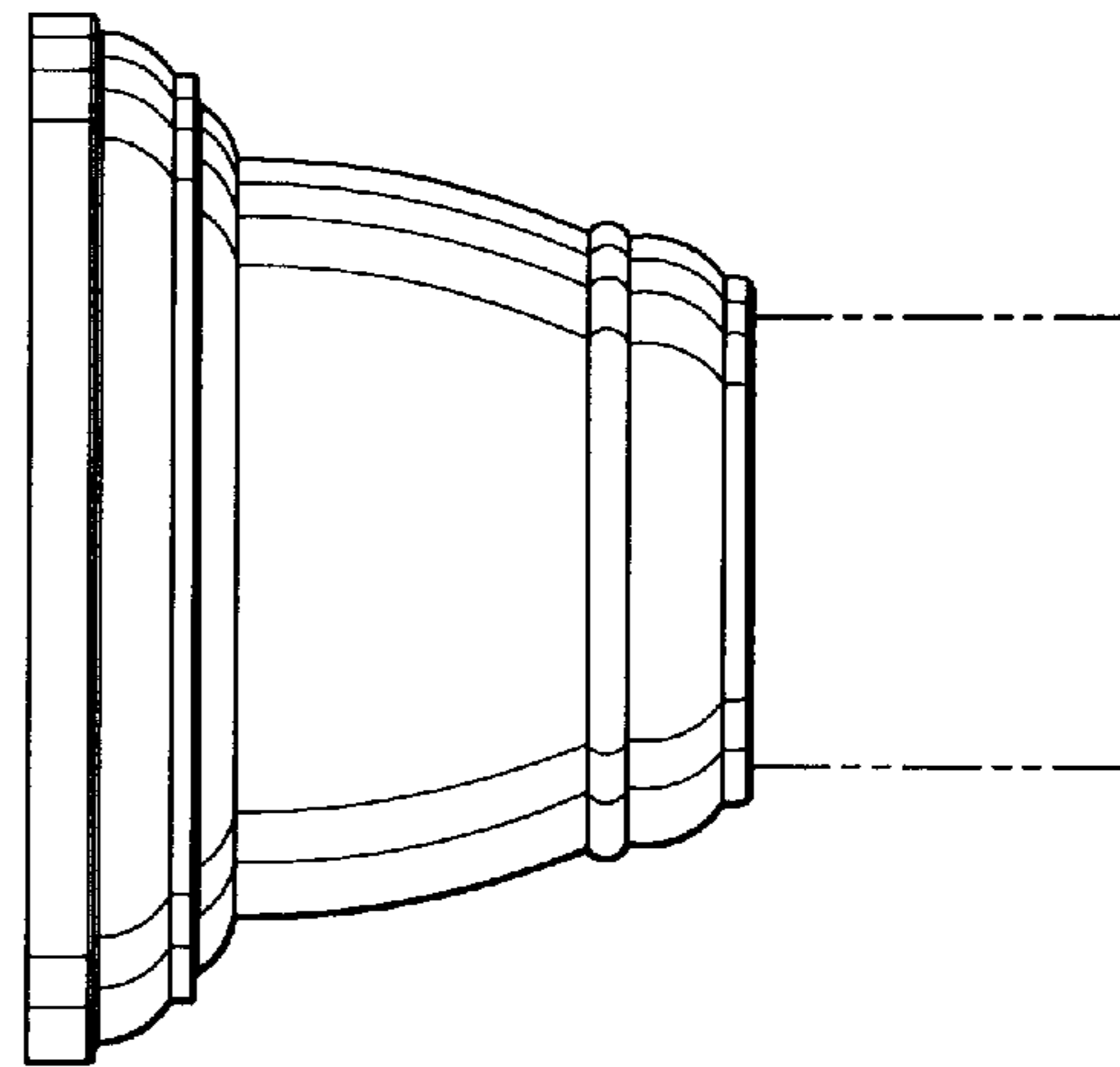


Fig-2

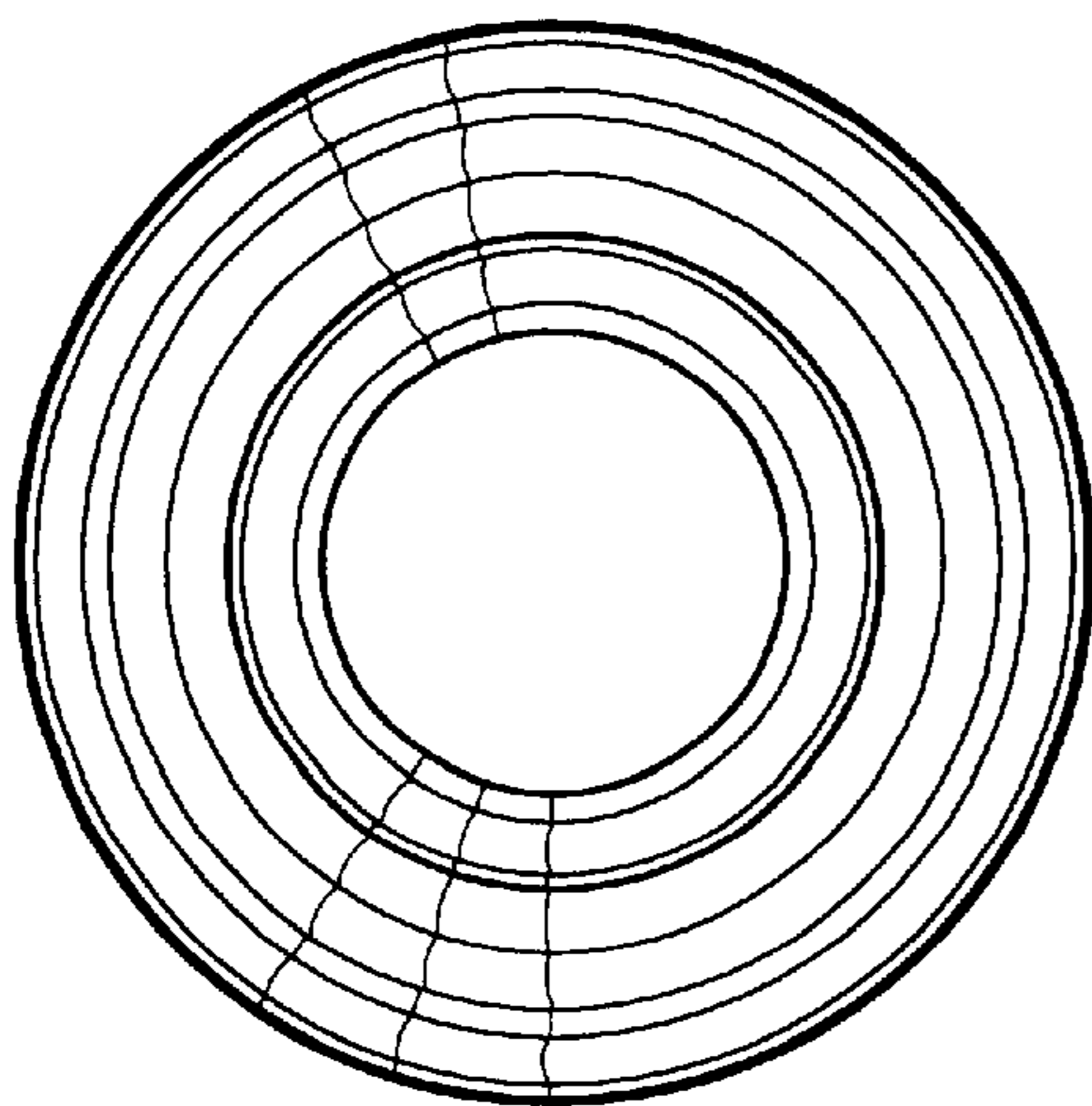


Fig-3