



US00D522843S

(12) **United States Design Patent**
Richter

(10) **Patent No.:** **US D522,843 S**

(45) **Date of Patent:** **** Jun. 13, 2006**

(54) **ELECTRONIC INSTRUMENT HOLDER**

(76) Inventor: **Herbert Richter**, Drosselweg 8, 75331
Engelbrand (DE)

(**) Term: **14 Years**

(21) Appl. No.: **29/197,025**

(22) Filed: **Jan. 8, 2004**

(51) **LOC (8) Cl.** **08-05**

(52) **U.S. Cl.** **D8/363**

(58) **Field of Classification Search** D8/363;
D17/20; 84/327; 248/121

See application file for complete search history.

(56) **References Cited**

U.S. PATENT DOCUMENTS

D248,146 S	*	6/1978	Drag	D8/363
D293,470 S	*	12/1987	Adler	D24/140
D349,640 S	*	8/1994	Whitaker	D8/363
D371,063 S	*	6/1996	Barkan	D8/363
5,662,300 A	*	9/1997	Michelson	248/279.1
D410,622 S	*	6/1999	Richter	D12/425
D419,415 S	*	1/2000	Richter	D8/71

* cited by examiner

Primary Examiner—Holly H. Baynham

(74) *Attorney, Agent, or Firm*—Klaus J. Bach

(57) **CLAIM**

The ornamental design for an electronic instrument holder, as shown and described.

DESCRIPTION

FIG. 1 is a perspective view of an electronic instrument holder,

FIG. 2 is a left side view of the electronic instrument holder shown in FIG. 1

FIG. 3 is a front view of the electronic instrument holder shown in FIG. 1,

FIG. 4 is a bottom view of the electronic instrument holder shown in FIG. 1,

FIG. 5 is a top view of the electronic instrument holder shown in FIG. 1; and,

FIG. 6 is a rear view of the electronic instrument holder shown in FIG. 1.

The right side is mirror-reversed with respect to the left side.

1 Claim, 5 Drawing Sheets

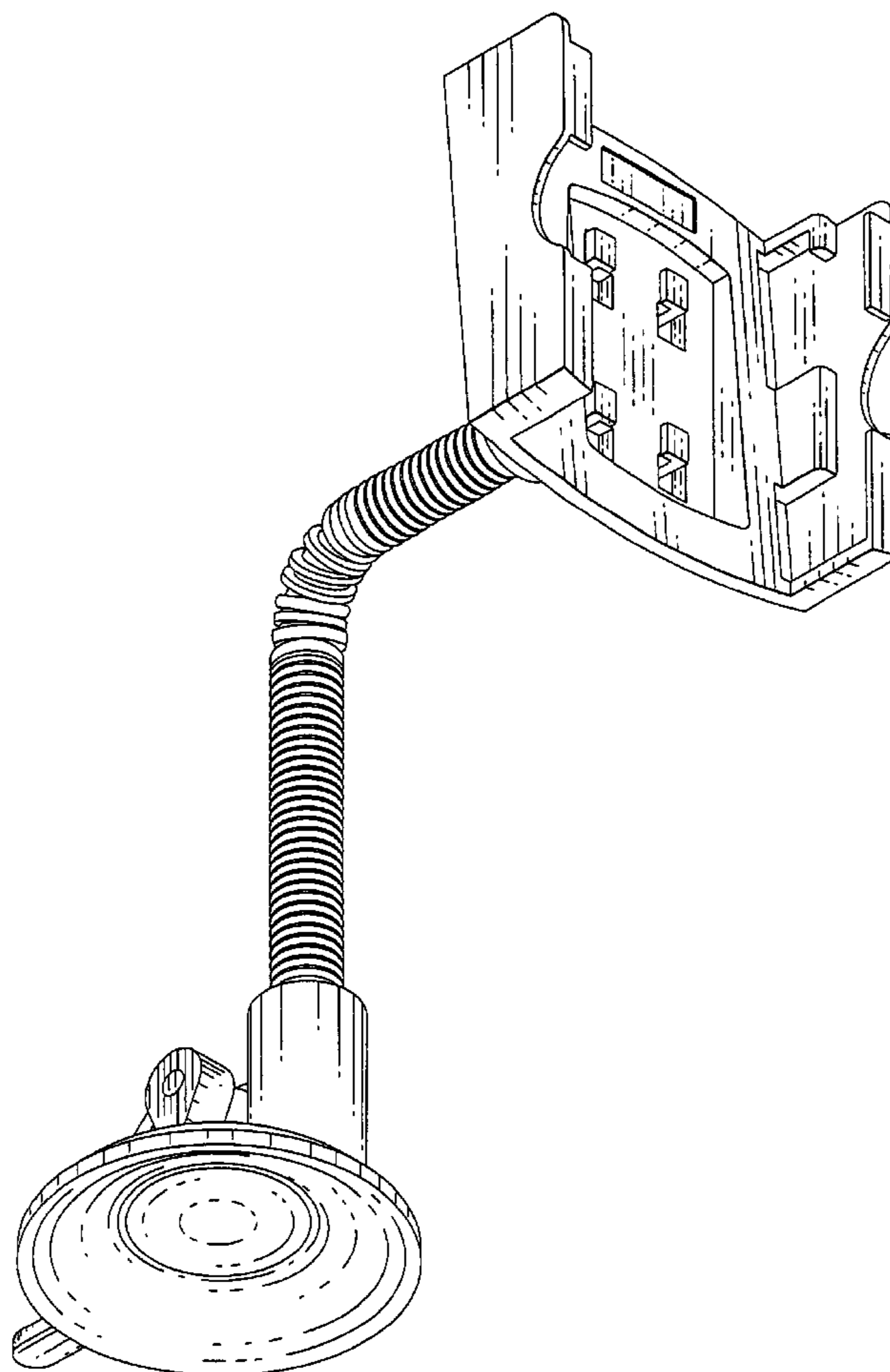


FIG. 1

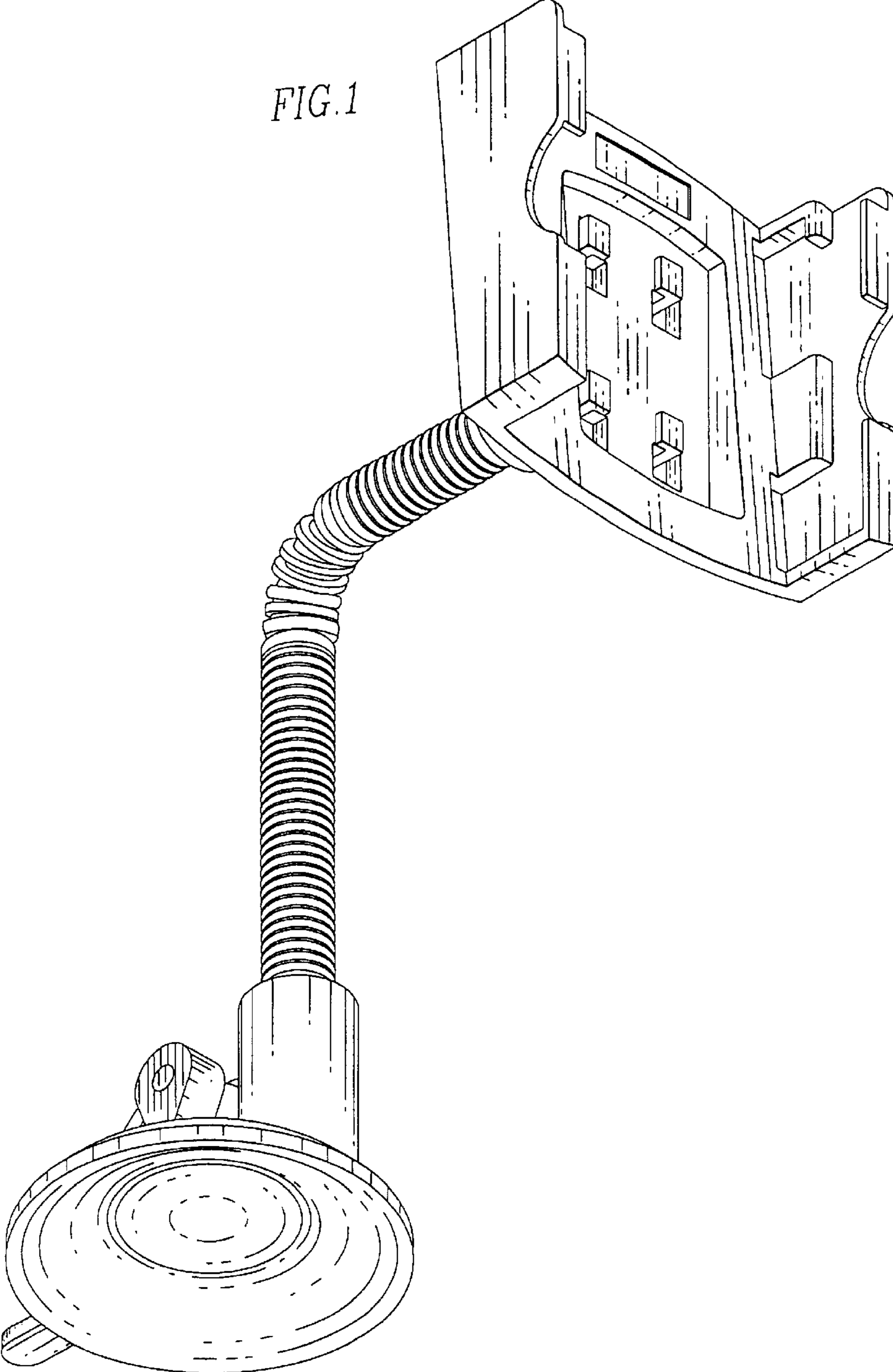


FIG. 2

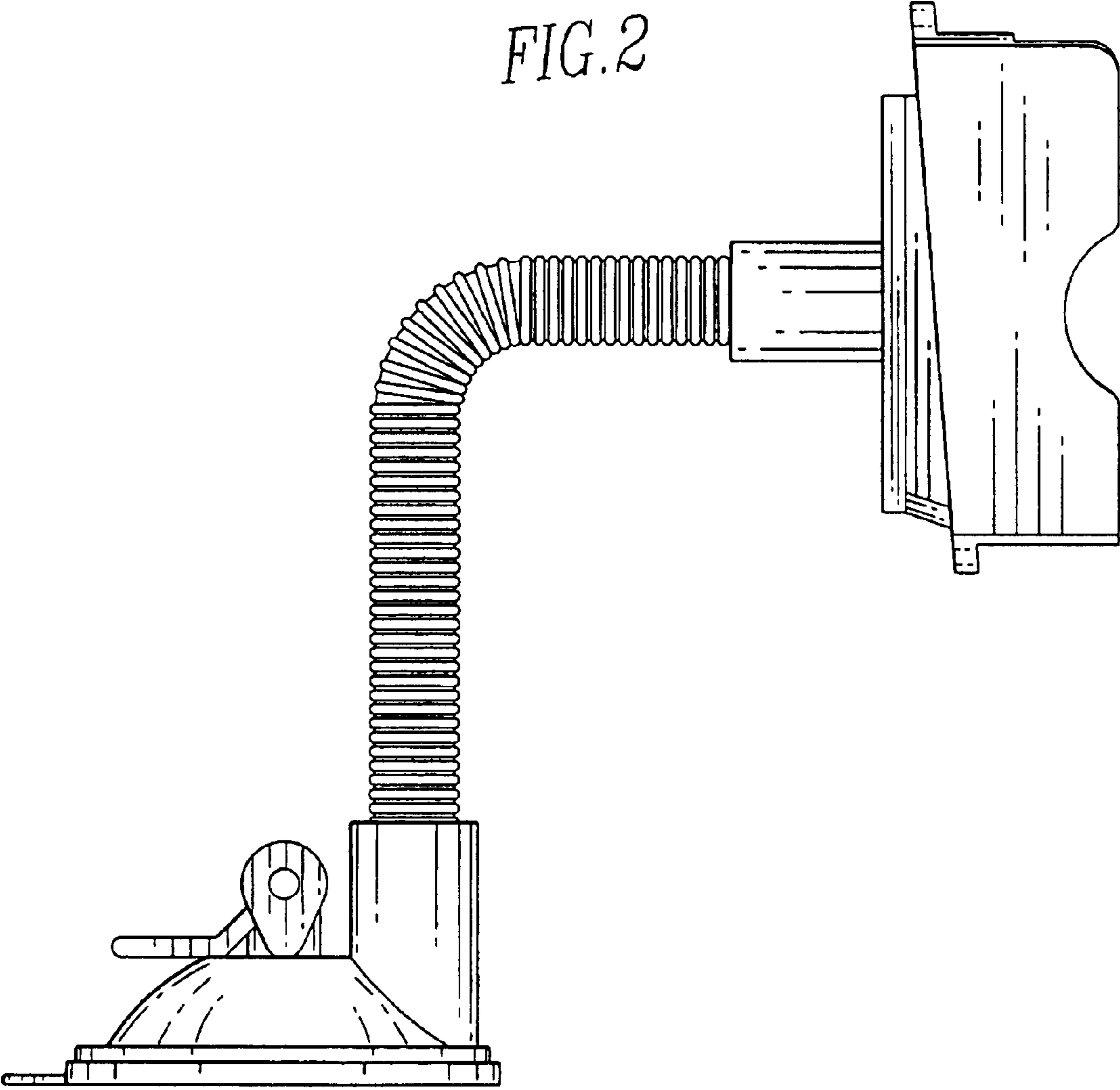
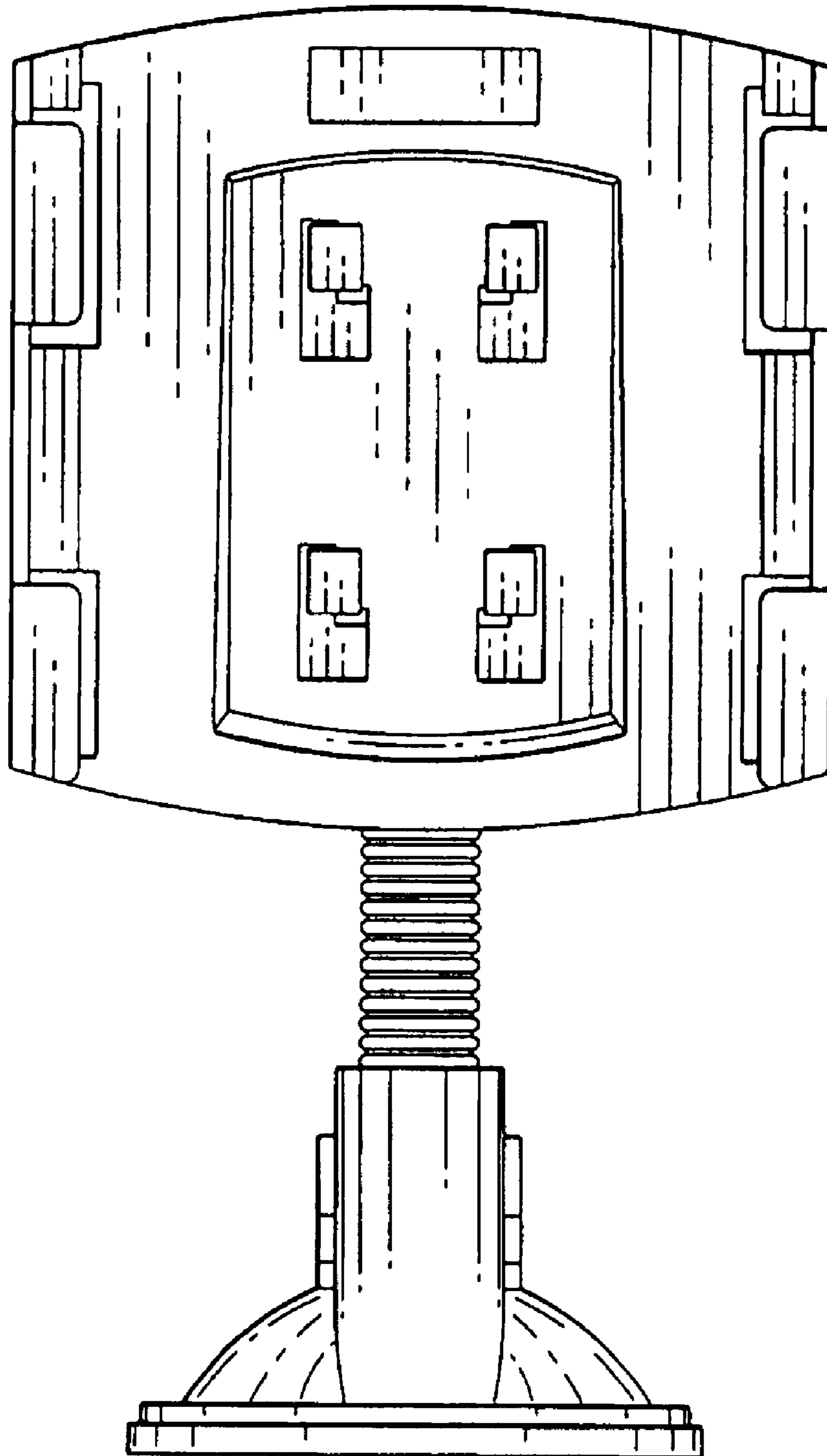


FIG. 3



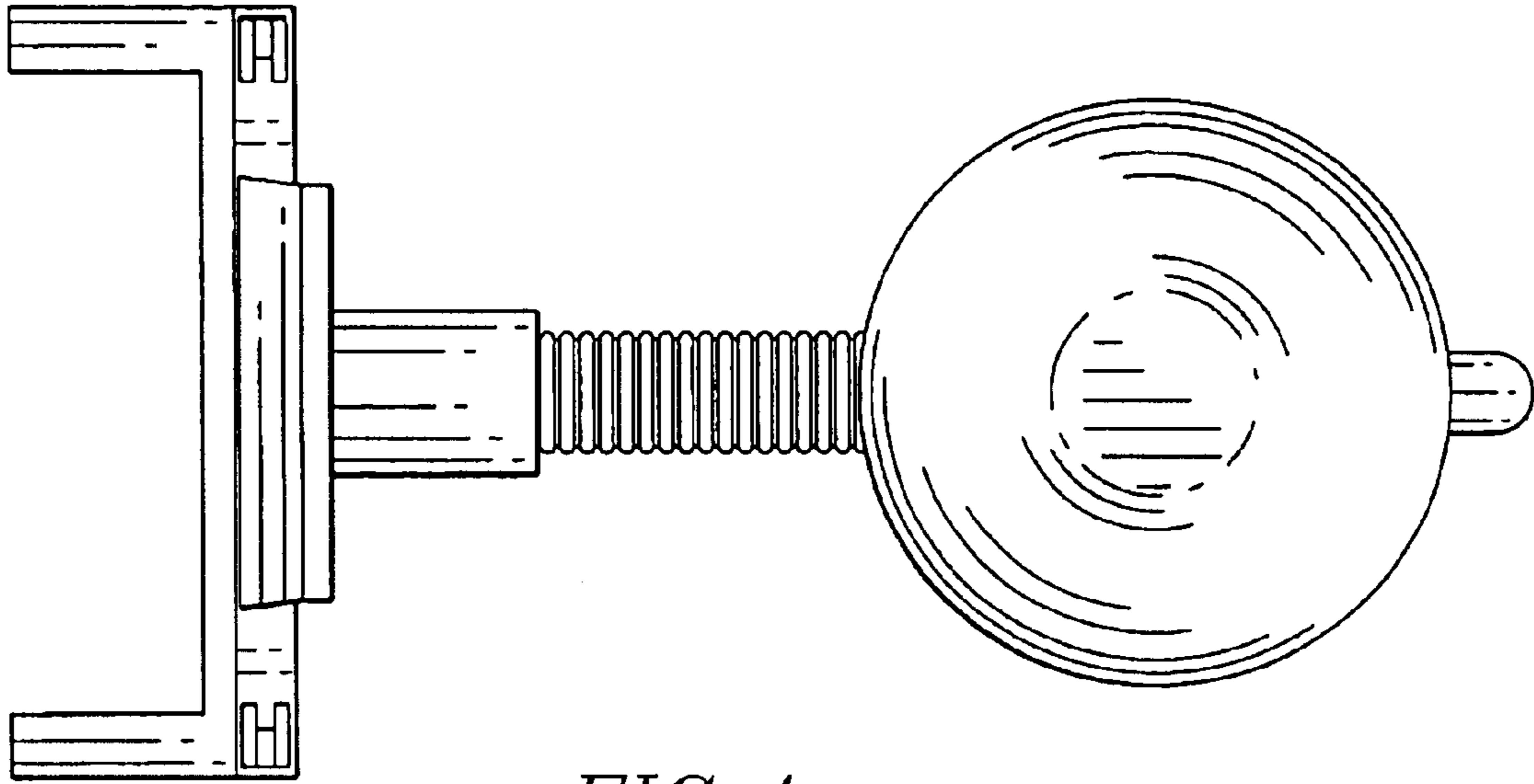


FIG. 4

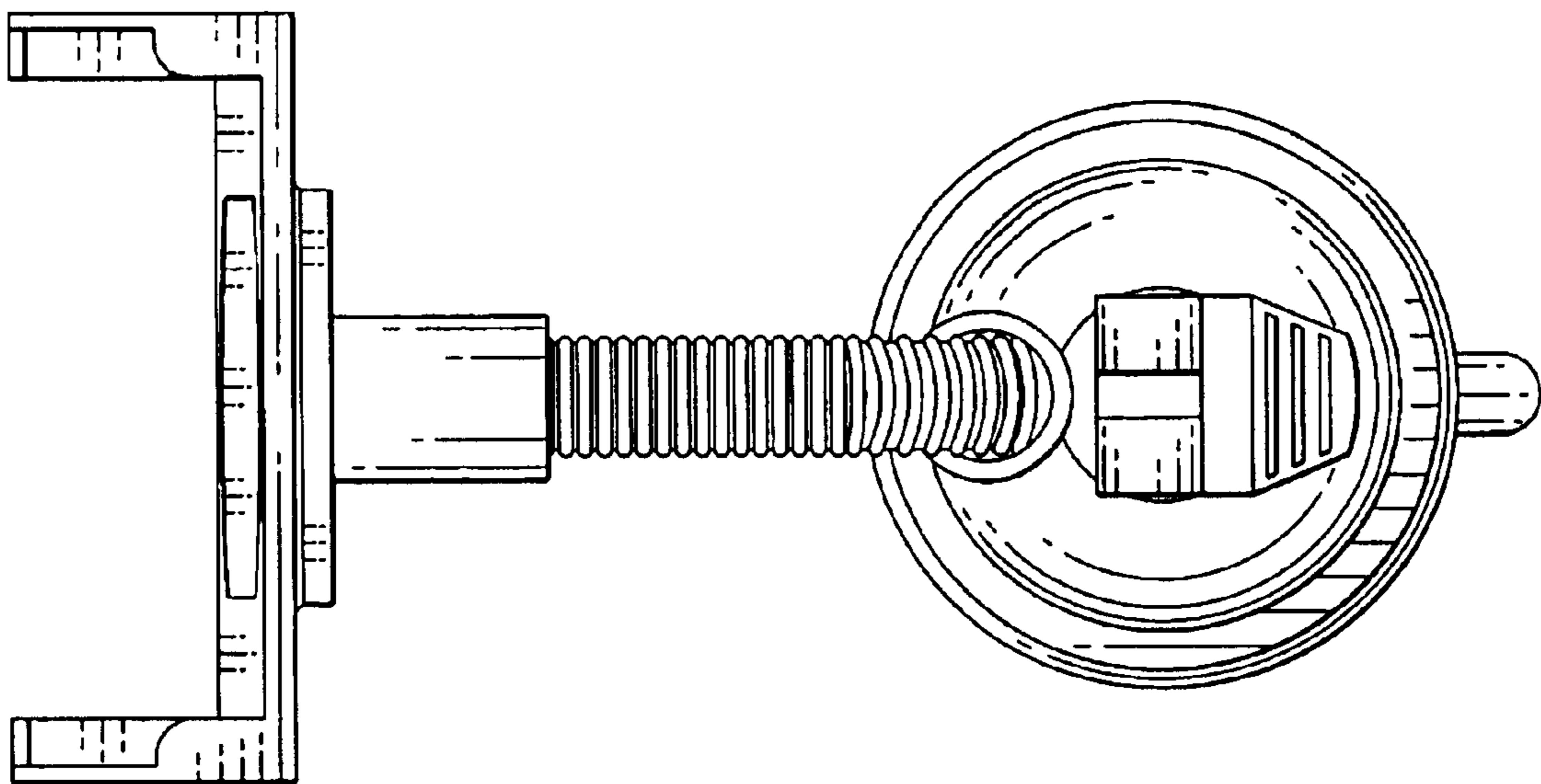


FIG. 5

FIG. 6

