

US00D522840S

(12) **United States Design Patent**
Haug et al.

(10) **Patent No.:** **US D522,840 S**
(45) **Date of Patent:** **** Jun. 13, 2006**

(54) **HANDLE**

(75) Inventors: **Andreas Haug**, Stuttgart (DE); **Tom Schonherr**, Stuttgart (DE); **Andreas Dimitriadis**, Lorch (DE); **Fabian Kollmann**, Stuttgart (DE); **Johann Duck**, Stuttgart (DE)

(73) Assignee: **Hansgrohe AG** (DE)

(**) Term: **14 Years**

(21) Appl. No.: **29/233,486**

(22) Filed: **Jul. 5, 2005**

(30) **Foreign Application Priority Data**

Jan. 12, 2005 (EM) 000278569-0004

(51) **LOC (8) Cl.** **08-06**

(52) **U.S. Cl.** **D8/310**

(58) **Field of Classification Search** D8/300,
D8/307, 310, 311, 338, DIG. 2; D23/254;
74/501.6, 503, 506, 517, 548, 553; 16/302,
16/309, 311-312, 319, 320; 200/318, 336;
411/509, 913

See application file for complete search history.

(56) **References Cited**

U.S. PATENT DOCUMENTS

D198,028 S	*	4/1964	Collins, Jr.	D8/311
D202,272 S	*	9/1965	Brendgord	D8/311
3,303,717 A	*	2/1967	Valenti	74/553
D208,918 S	*	10/1967	Dole	D8/311
3,534,706 A	*	10/1970	Crispell	116/320
4,409,861 A	*	10/1983	Sakurai	74/501.6
D400,778 S	*	11/1998	Holbrook, Jr.	D8/311
D443,496 S	*	6/2001	DeCosse	D8/300

* cited by examiner

Primary Examiner—Paula A. Greene

(74) *Attorney, Agent, or Firm*—Kwadjo Adusei-Poku; Lloyd D. Doigan

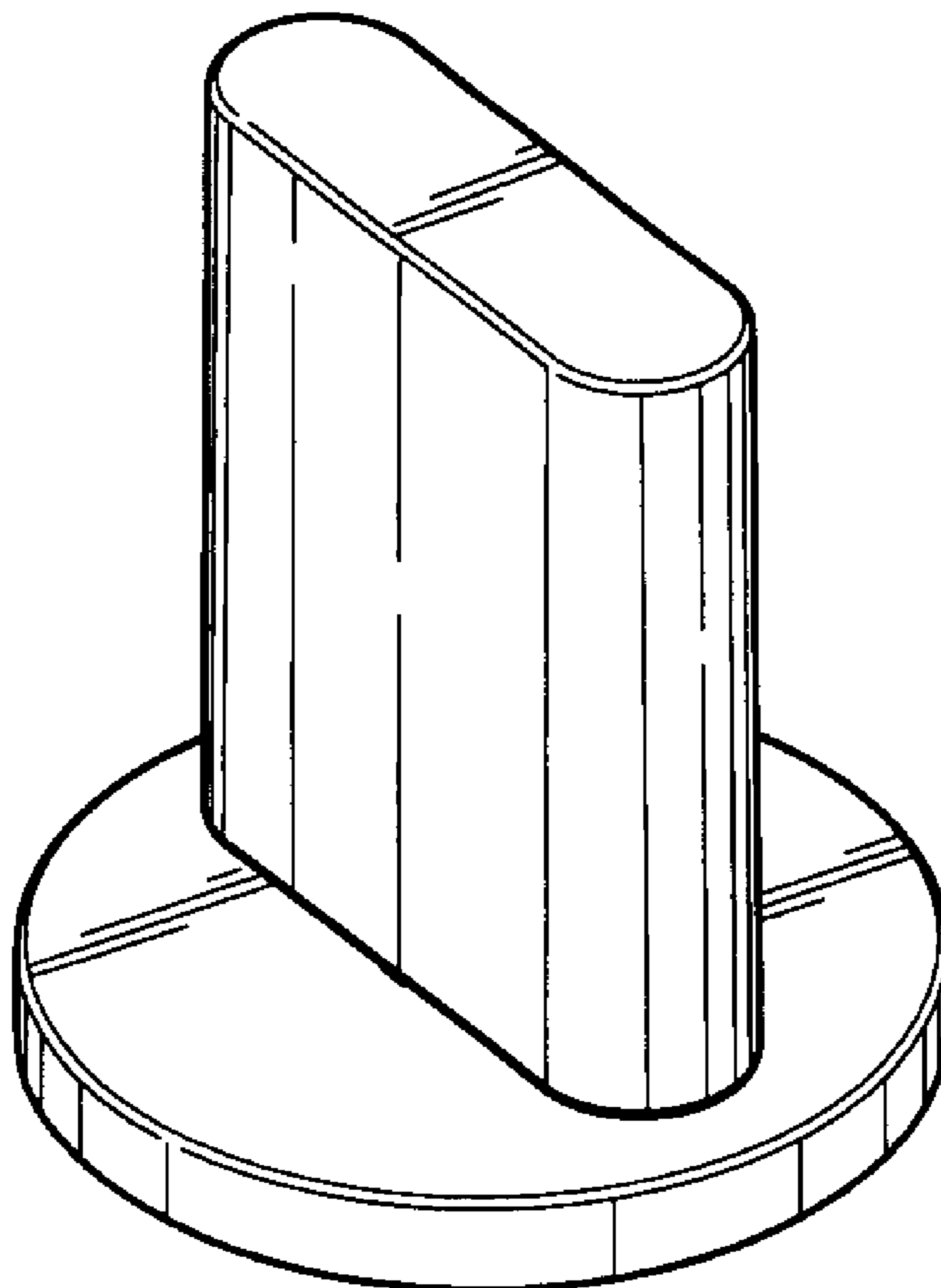
(57) **CLAIM**

The ornamental design for a handle, as shown and described.

DESCRIPTION

FIG. 1 is a front perspective view of a handle showing our design;
FIG. 2 is a top plan view thereof;
FIG. 3 is a side elevational view thereof; and,
FIG. 4 is a front elevational view thereof.

1 Claim, 1 Drawing Sheet



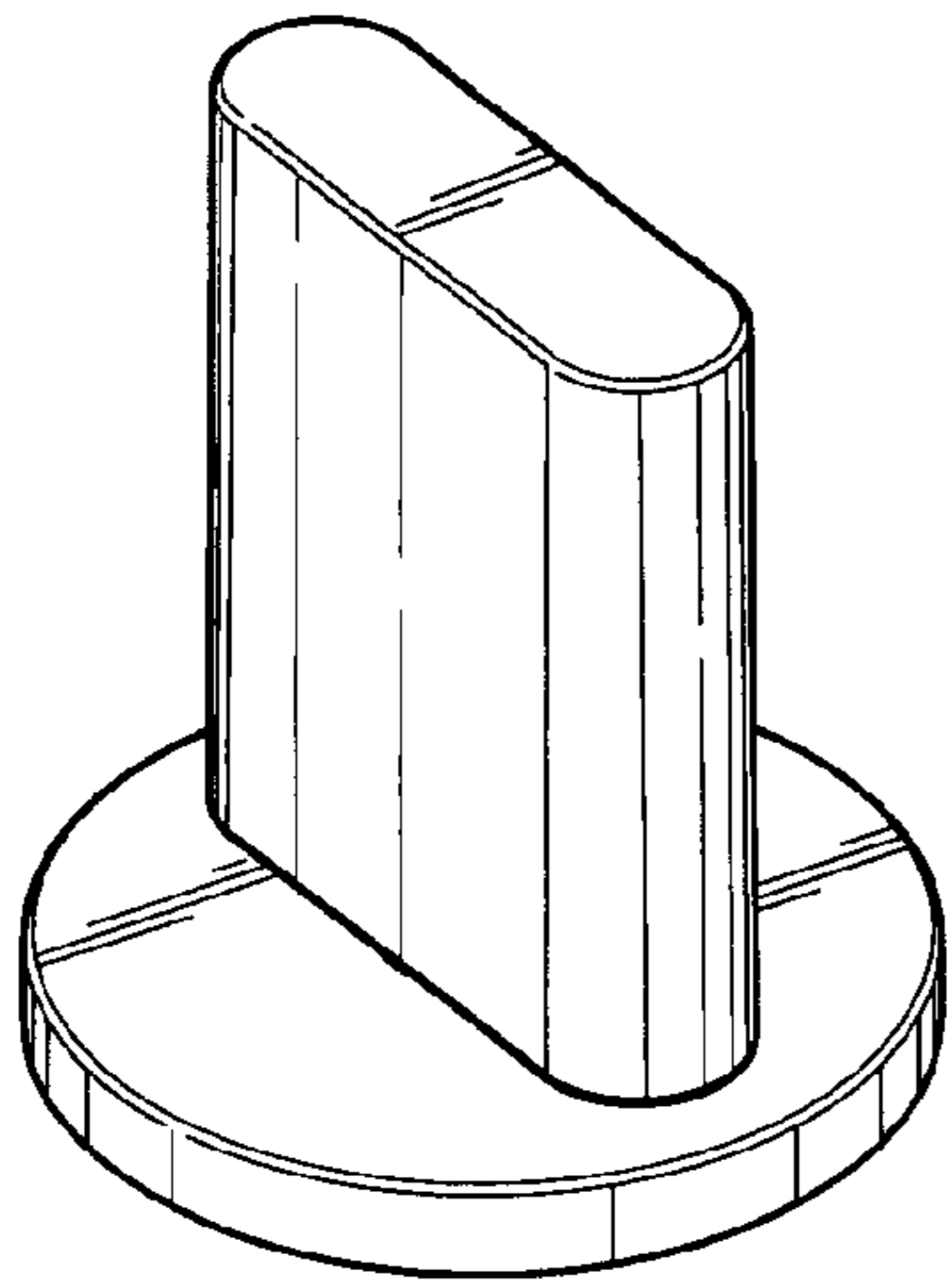


FIG. 1

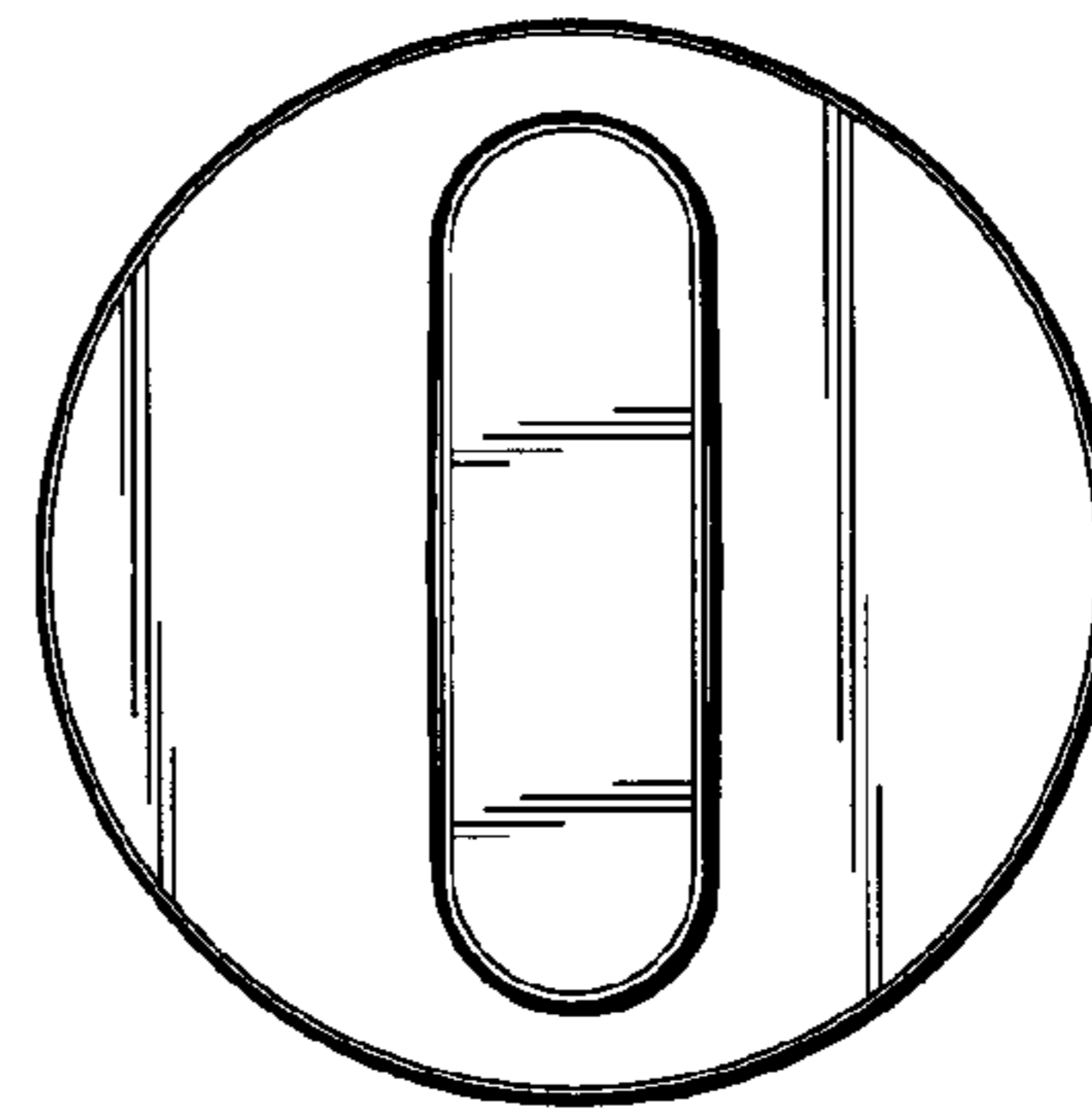


FIG. 2

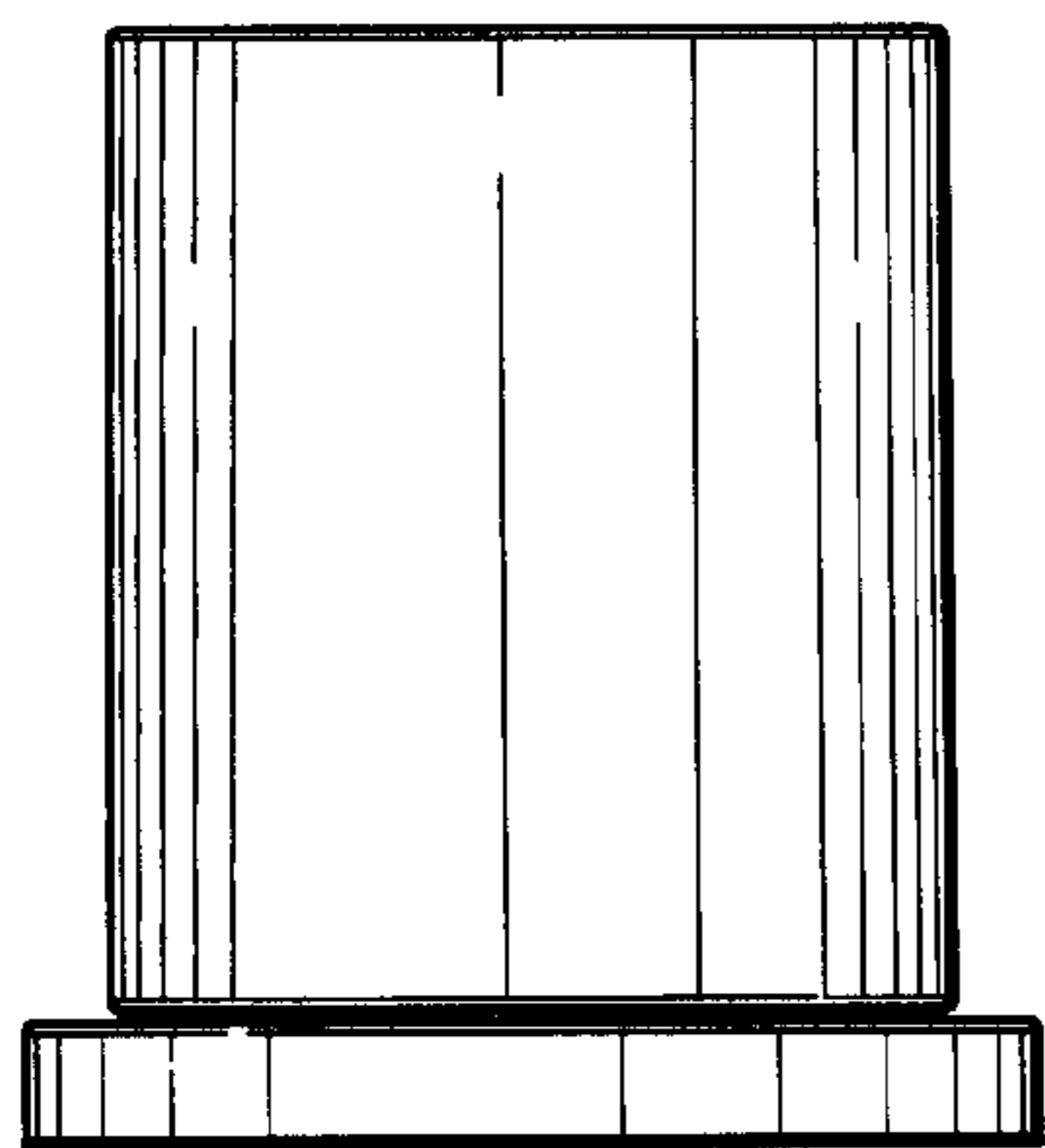


FIG. 3

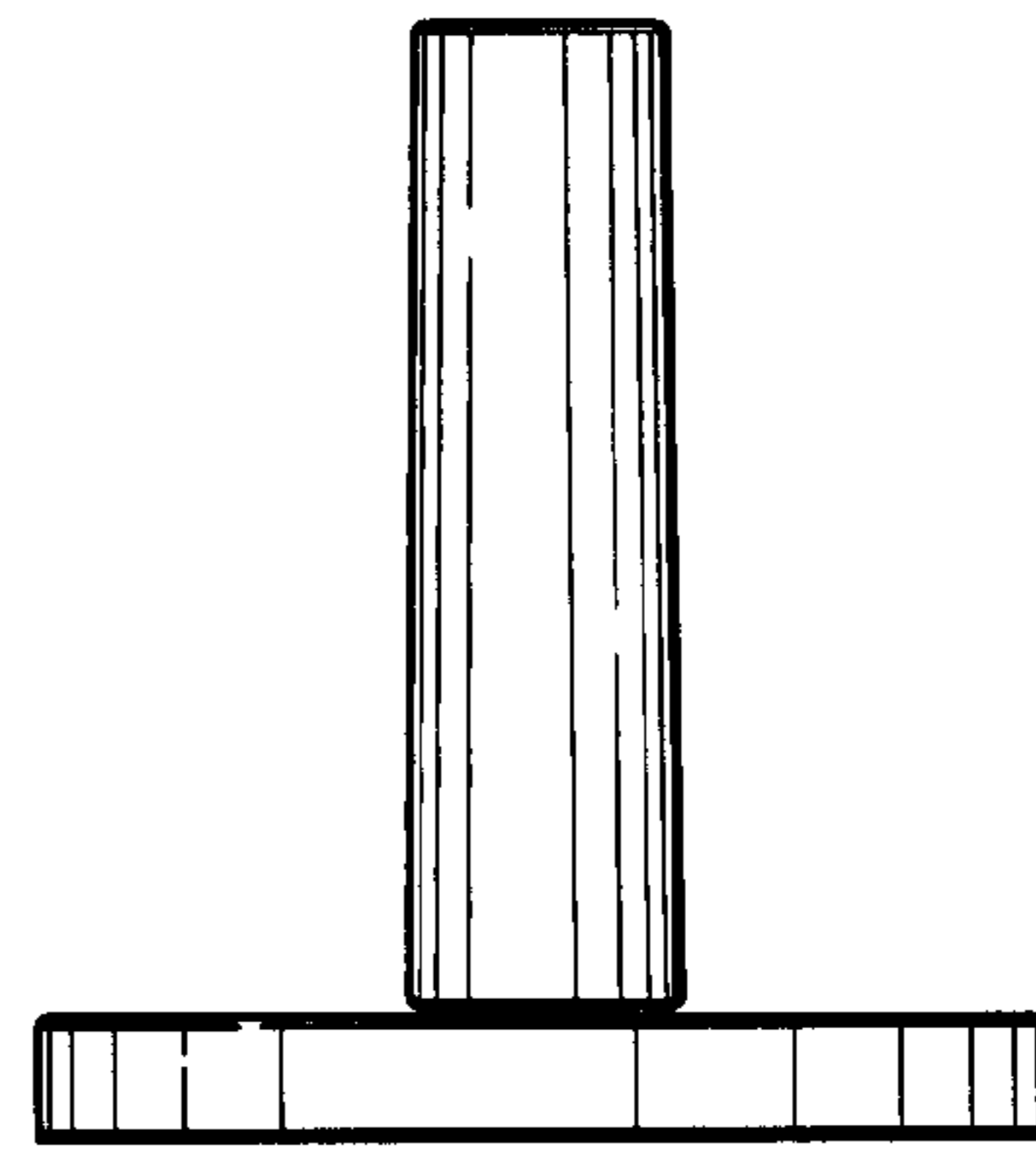


FIG. 4