

US00D522839S

(12) **United States Design Patent**  
**Hu**

(10) **Patent No.:** **US D522,839 S**  
(45) **Date of Patent:** **\*\* Jun. 13, 2006**

(54) **LEVER HANDLE**

(76) Inventor: **Xian Shan Hu**, No. 5, Xingfa Road,  
Jidongyi, Xiaolan Town, Zhongshan  
City, Guangdong Province (CN)

(\*\*) Term: **14 Years**

(21) Appl. No.: **29/233,199**

(22) Filed: **Jun. 30, 2005**

(51) **LOC (8) Cl.** ..... **08-06**

(52) **U.S. Cl.** ..... **D8/308**

(58) **Field of Classification Search** ..... D8/300,  
D8/303, 308, 321; 16/110.1; D23/241, 250,  
D23/252; 292/347, 356, 357; 137/801  
See application file for complete search history.

(56) **References Cited**

**U.S. PATENT DOCUMENTS**

1,787,988 A \* 1/1931 Marple ..... 292/357  
D141,186 S \* 5/1945 Stanitz ..... D23/252  
D260,478 S \* 9/1981 Belaiche ..... D8/308  
D290,496 S \* 6/1987 Ryan ..... D23/252

D305,724 S \* 1/1990 Mosch ..... D8/308  
D313,541 S \* 1/1991 Thur ..... D8/301  
D332,824 S \* 1/1993 Robbins ..... D23/252  
D365,384 S \* 12/1995 Robbins ..... D23/252  
D404,470 S \* 1/1999 Pitsch et al. .... D23/252  
D438,775 S \* 3/2001 Magnusson ..... D8/308  
D439,954 S \* 4/2001 Spangler ..... D23/250

\* cited by examiner

*Primary Examiner*—Paula A. Greene

(57) **CLAIM**

The ornamental design for a lever handle, as shown.

**DESCRIPTION**

FIG. 1 is a front elevational view of a lever handle showing my new design;

FIG. 2 is a rear elevational view thereof;

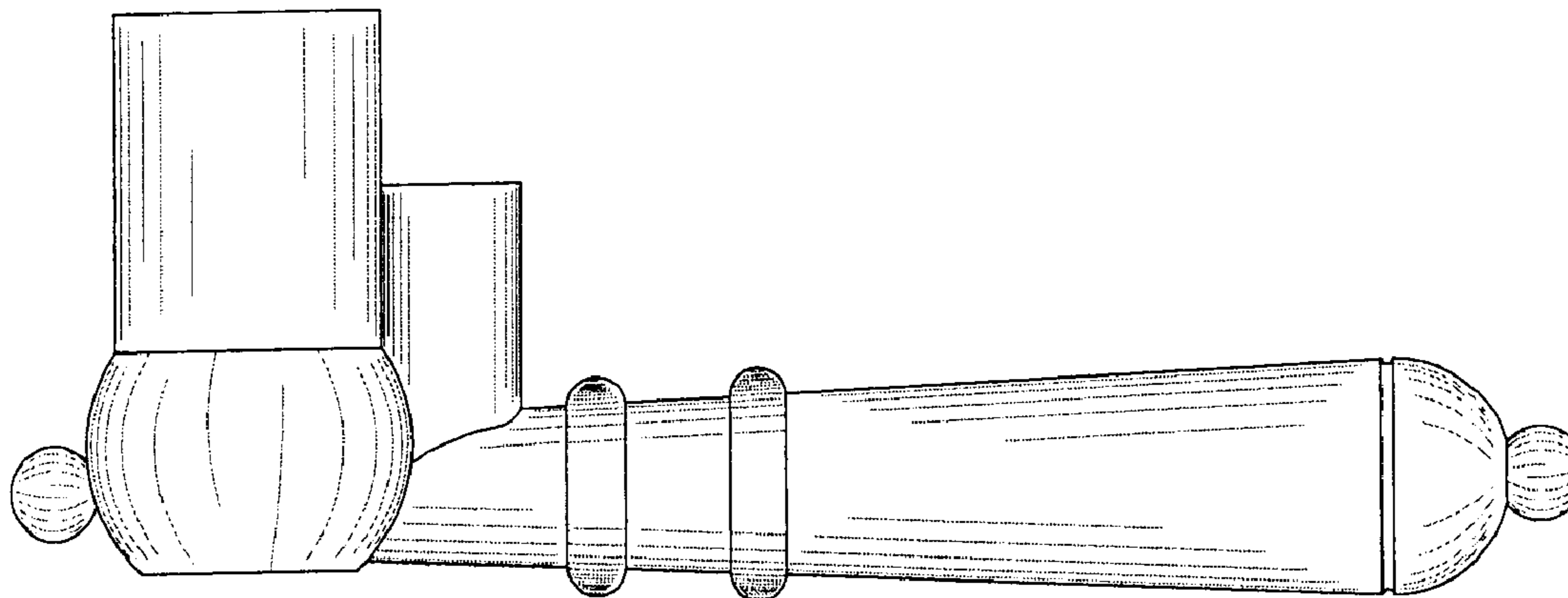
FIG. 3 is a left side view thereof;

FIG. 4 is a right side view thereof;

FIG. 5 is a top plan view thereof; and,

FIG. 6 is a bottom plan view thereof.

**1 Claim, 3 Drawing Sheets**



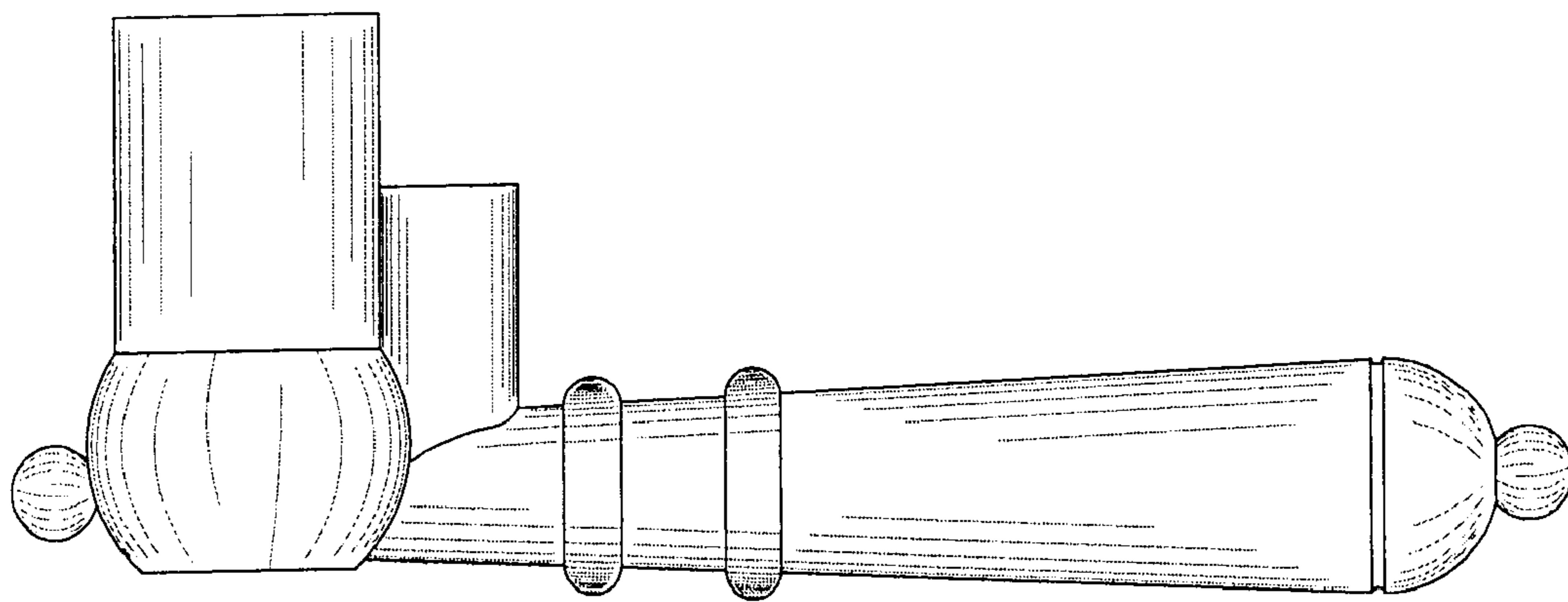


FIG. 1

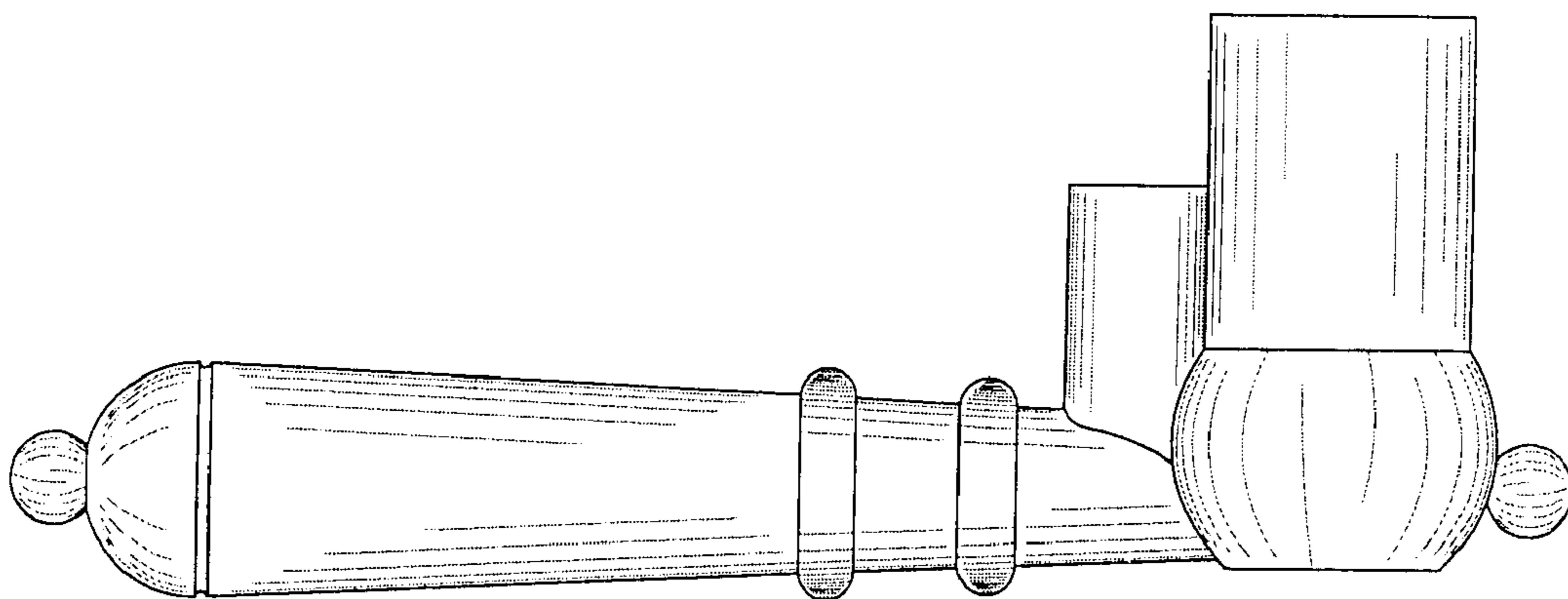


FIG. 2

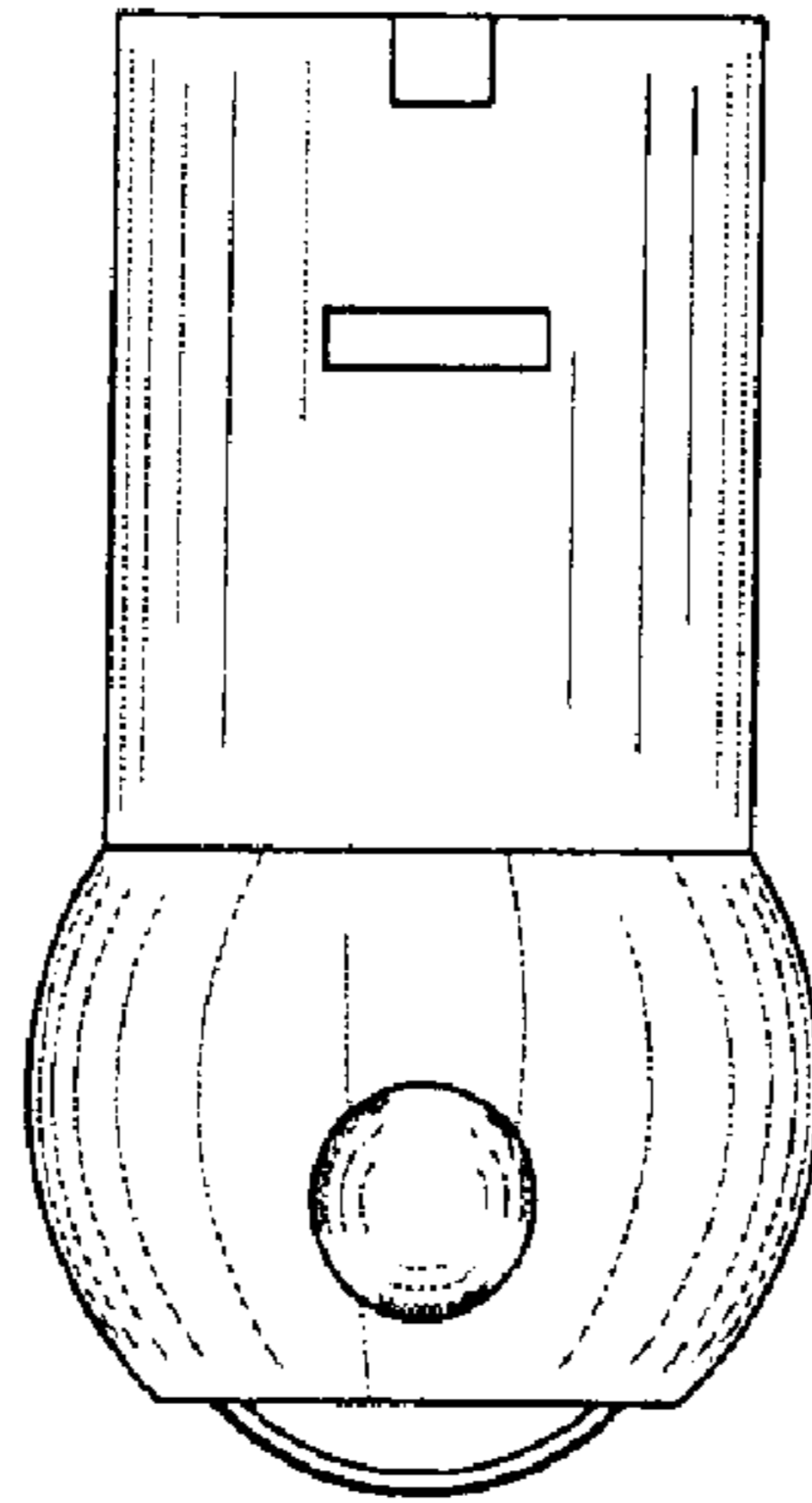


FIG. 3

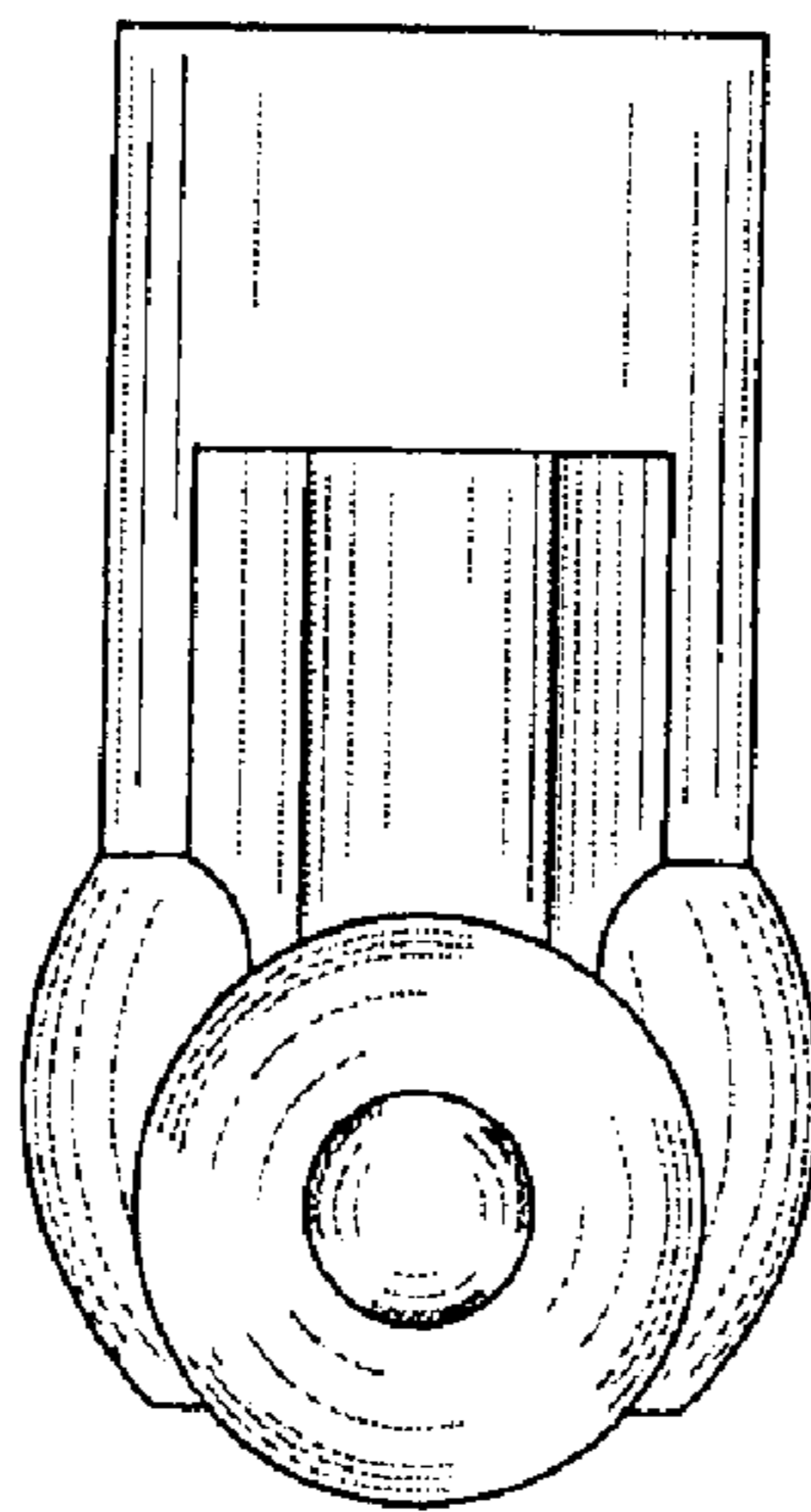


FIG. 4

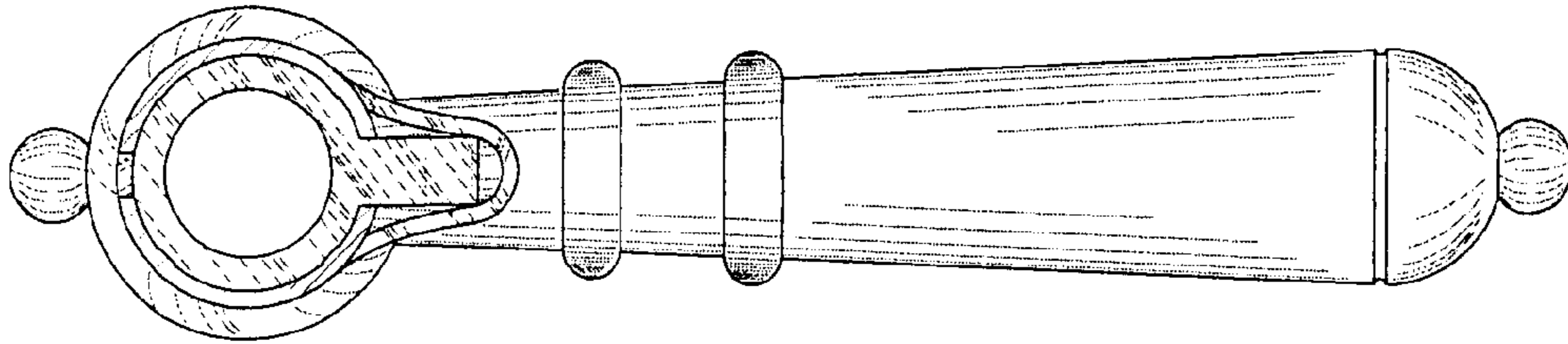


FIG. 5

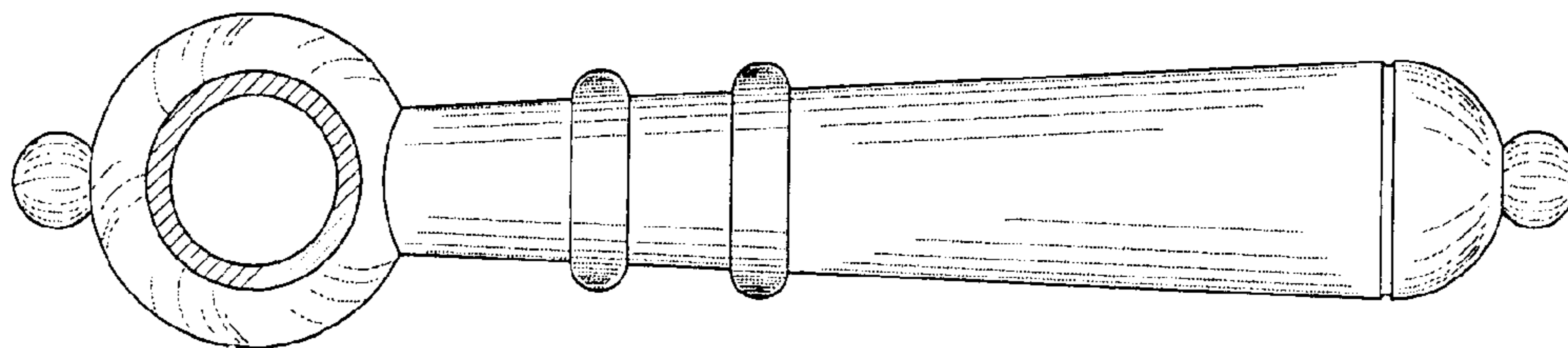


FIG. 6