



US00D522838S

(12) **United States Design Patent**
Bruce

(10) **Patent No.:** **US D522,838 S**

(45) **Date of Patent:** **** Jun. 13, 2006**

(54) **LID HANDLE**

(76) **Inventor:** **Rene Bruce**, P.O. Box 2293 NB, Santa Ana, CA (US) 92701

(**) **Term:** **14 Years**

(21) **Appl. No.:** **29/217,150**

(22) **Filed:** **Nov. 12, 2004**

(51) **LOC (8) Cl.** **08-06**

(52) **U.S. Cl.** **D8/307**

(58) **Field of Classification Search** D8/300-302, D8/305-307, 308, 310-312, 315, 319, 320, D8/350, 352, 367, 382; D6/320, 323, 531, D6/536, 567, 524, 548; D23/238, 250-252
See application file for complete search history.

(56) **References Cited**

U.S. PATENT DOCUMENTS

3,369,566	A	*	2/1968	Schmitt et al.	137/636.1
4,367,819	A	*	1/1983	Lewis	211/59.1
D290,492	S	*	6/1987	Hill et al.	D23/238
4,907,715	A	*	3/1990	Bloomer	220/263
D324,901	S	*	3/1992	Bonnell	D23/252
5,147,056	A	*	9/1992	Ma	220/263
5,398,374	A	*	3/1995	Betancourt		
D411,873	S	*	7/1999	Pitsch	D23/252

6,267,260	B1		7/2001	Lyons		
D467,313	S	*	12/2002	Hundley	D23/252
D473,933	S	*	4/2003	Warshawsky et al.	D23/252
D495,230	S	*	8/2004	Madlem et al.	D8/301

* cited by examiner

Primary Examiner—Paula A. Greene

(74) *Attorney, Agent, or Firm*—Johnson & Associates

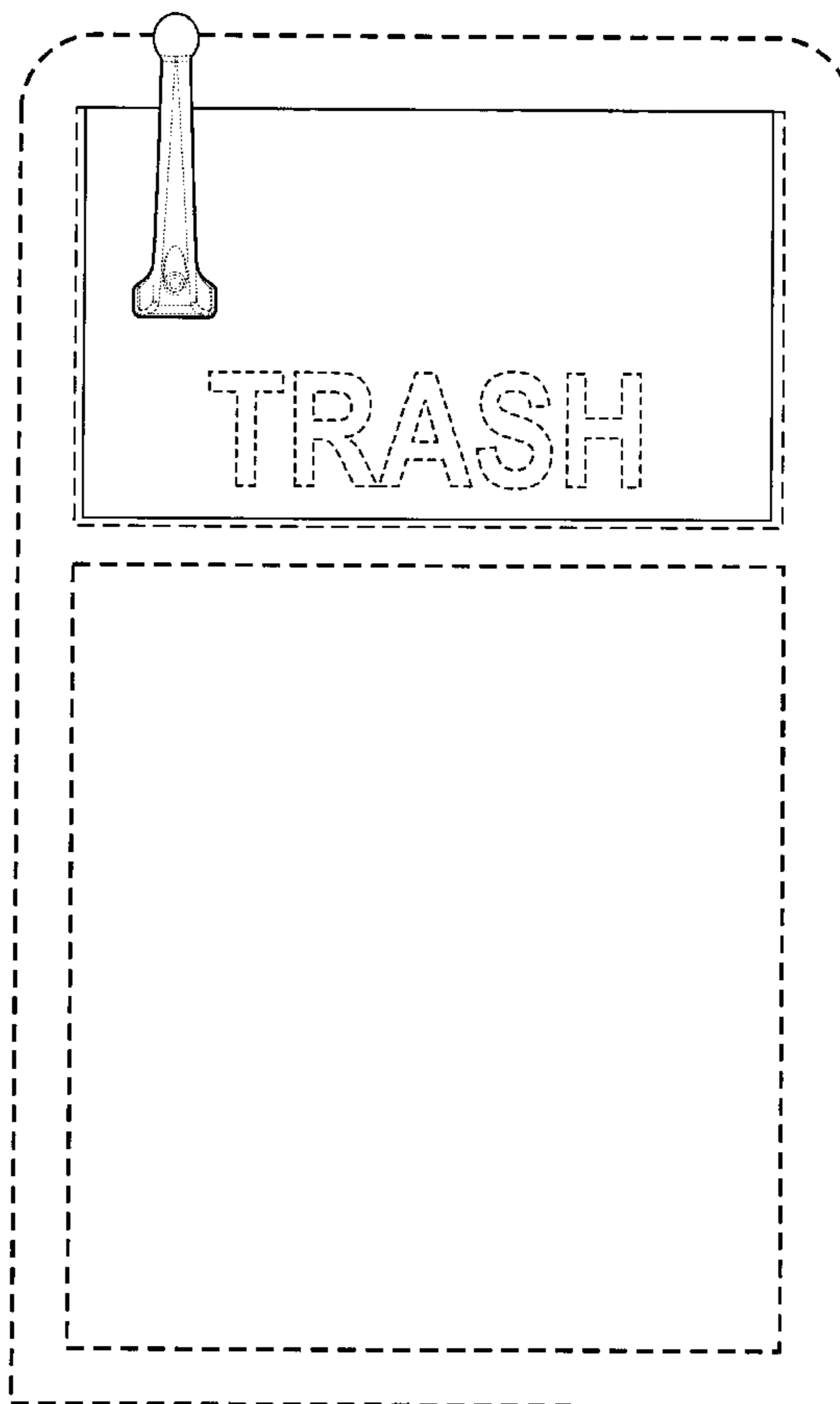
(57) **CLAIM**

The ornamental design of a lid handle, as shown and described.

DESCRIPTION

FIG. 1 is a front view of a lid handle showing my new design;
FIG. 2 is an isometric right view thereof;
FIG. 3 is an isometric right view thereof;
FIG. 4 is a side view thereof;
FIGS. 5-8 are front views thereof, showing alternate mounting locations; and,
FIG. 9 is a front view of a trash bin utilizing my new design. The broken lines in FIG. 9 and a portion of the broken line disclosure in FIGS. 1,5,6,7,8, and 2,3, and 4 are for illustrative purposes only and forms no part of the claimed design.

1 Claim, 5 Drawing Sheets



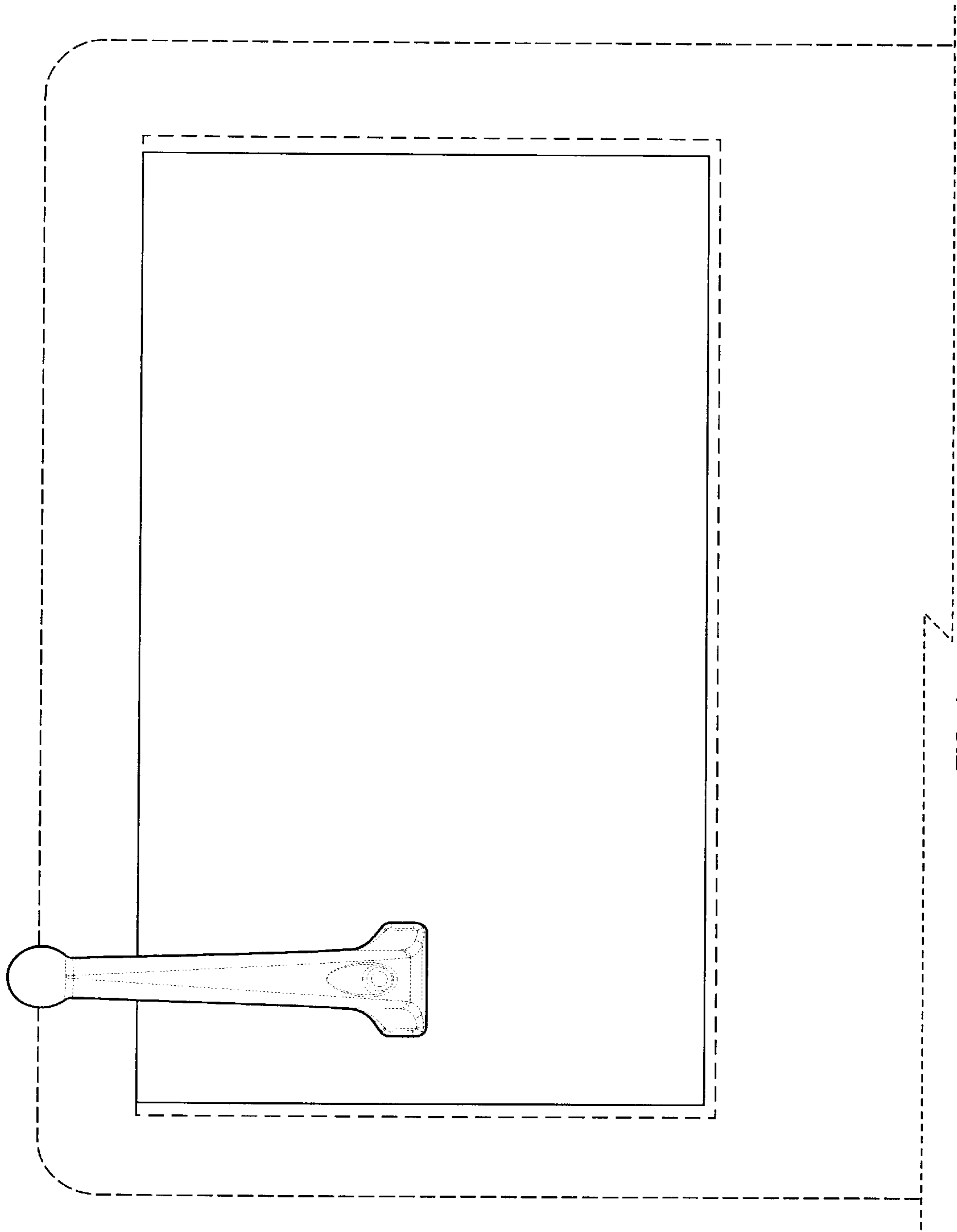


FIG. 1

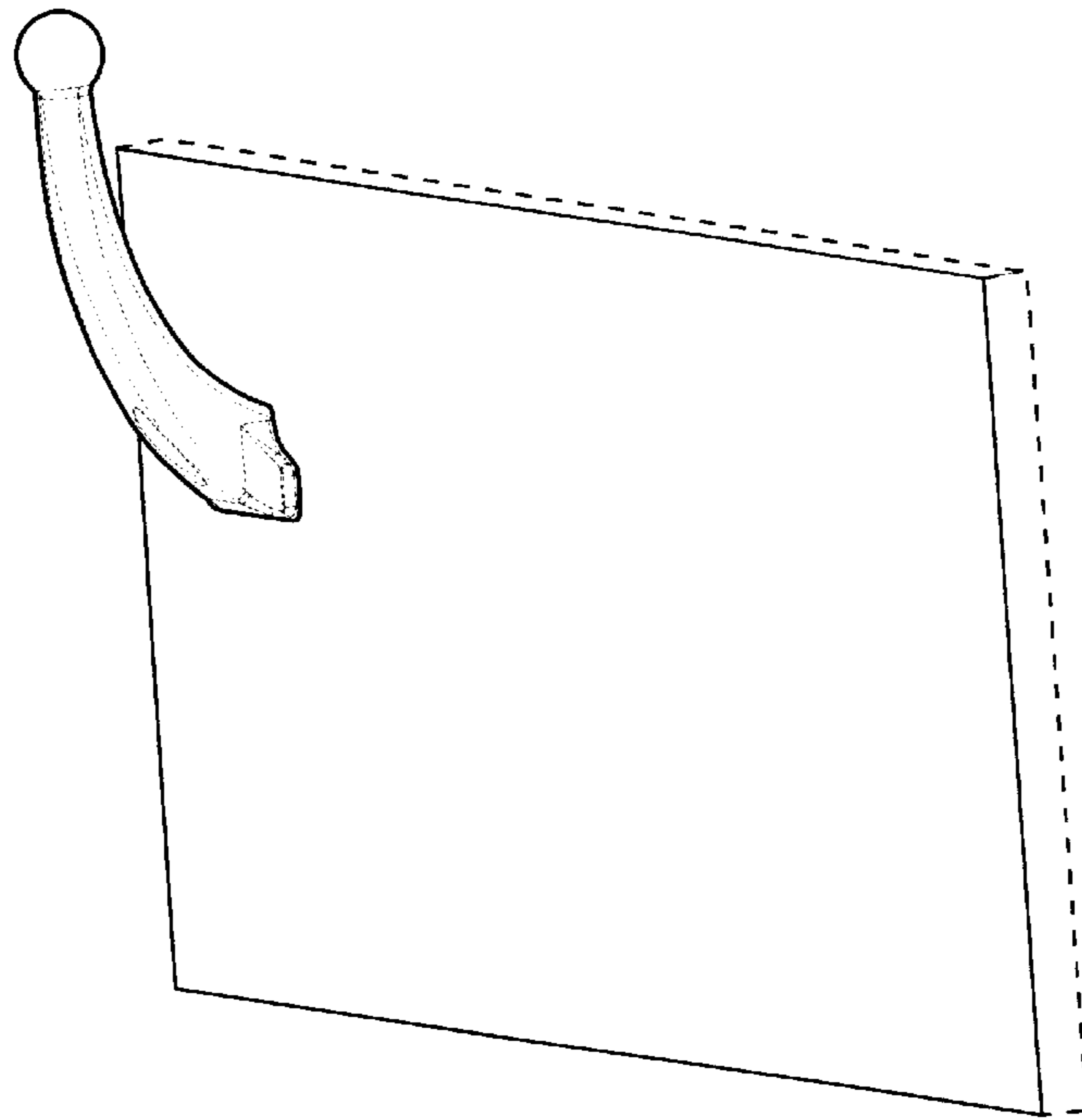


FIG. 2

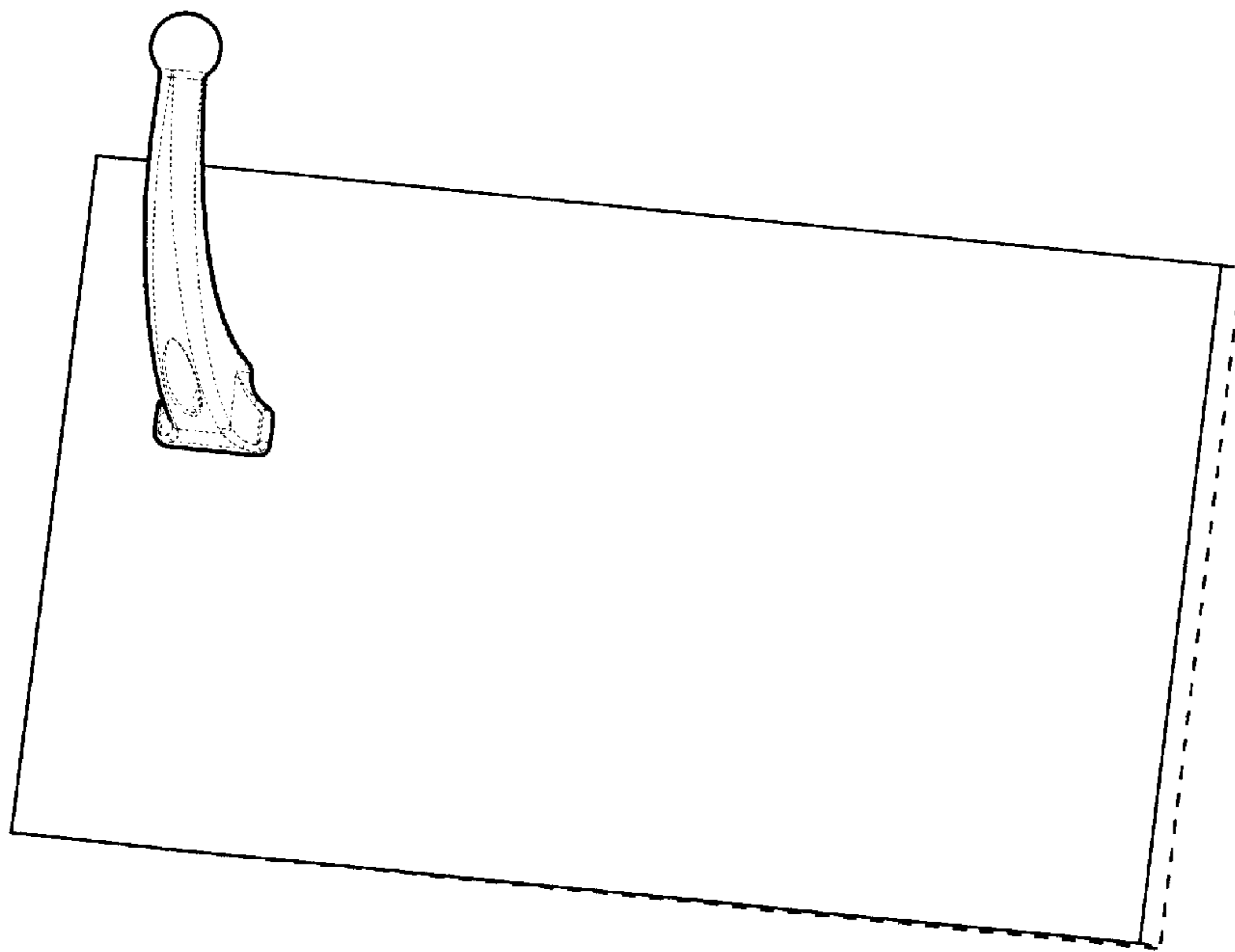


FIG. 3

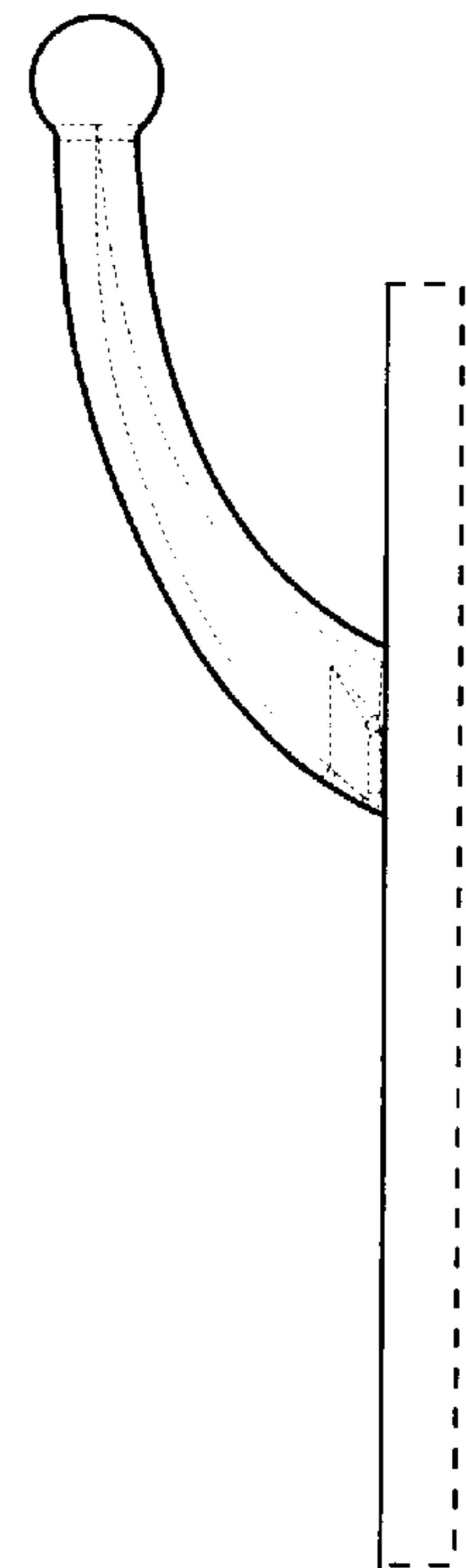


FIG. 4

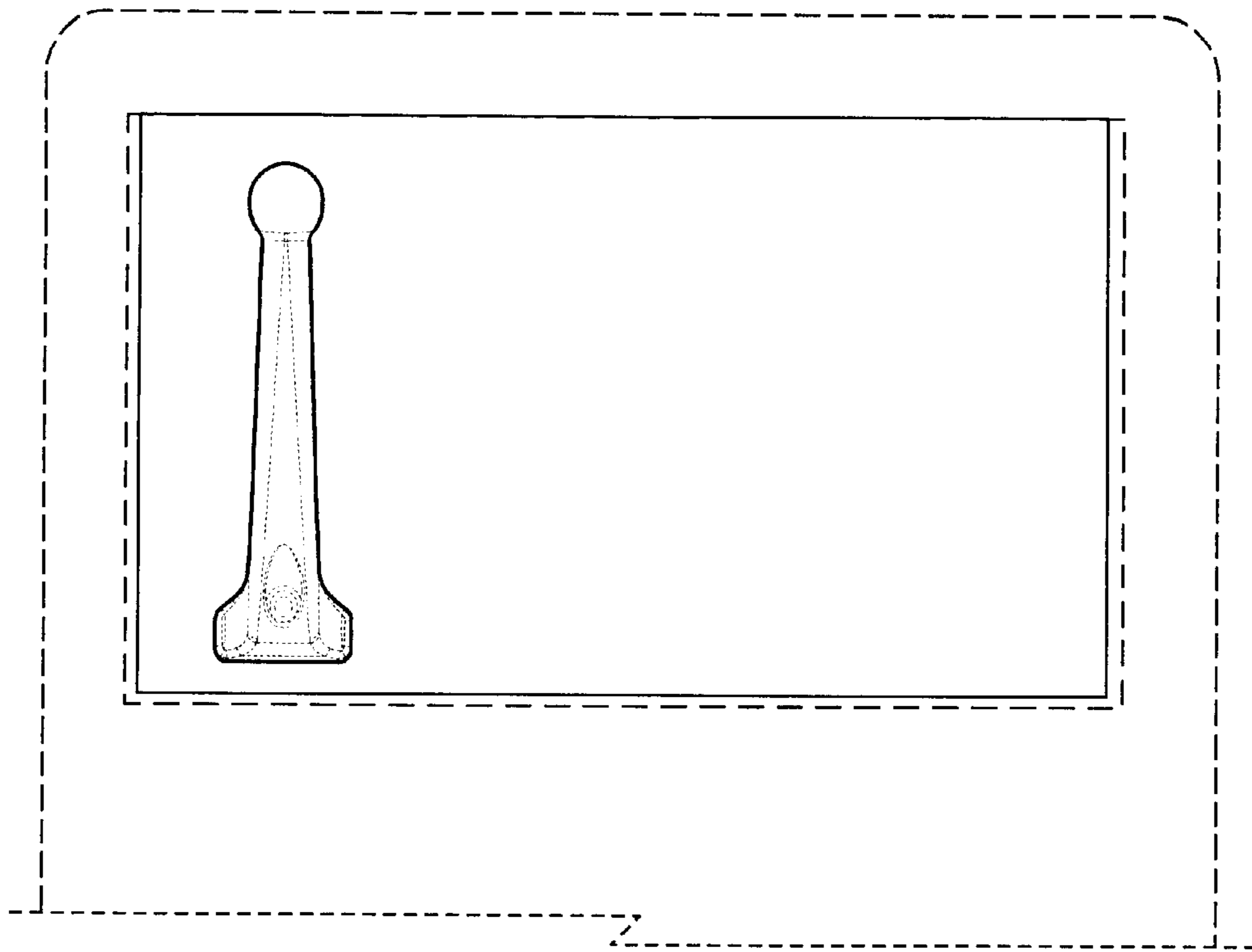


FIG. 5

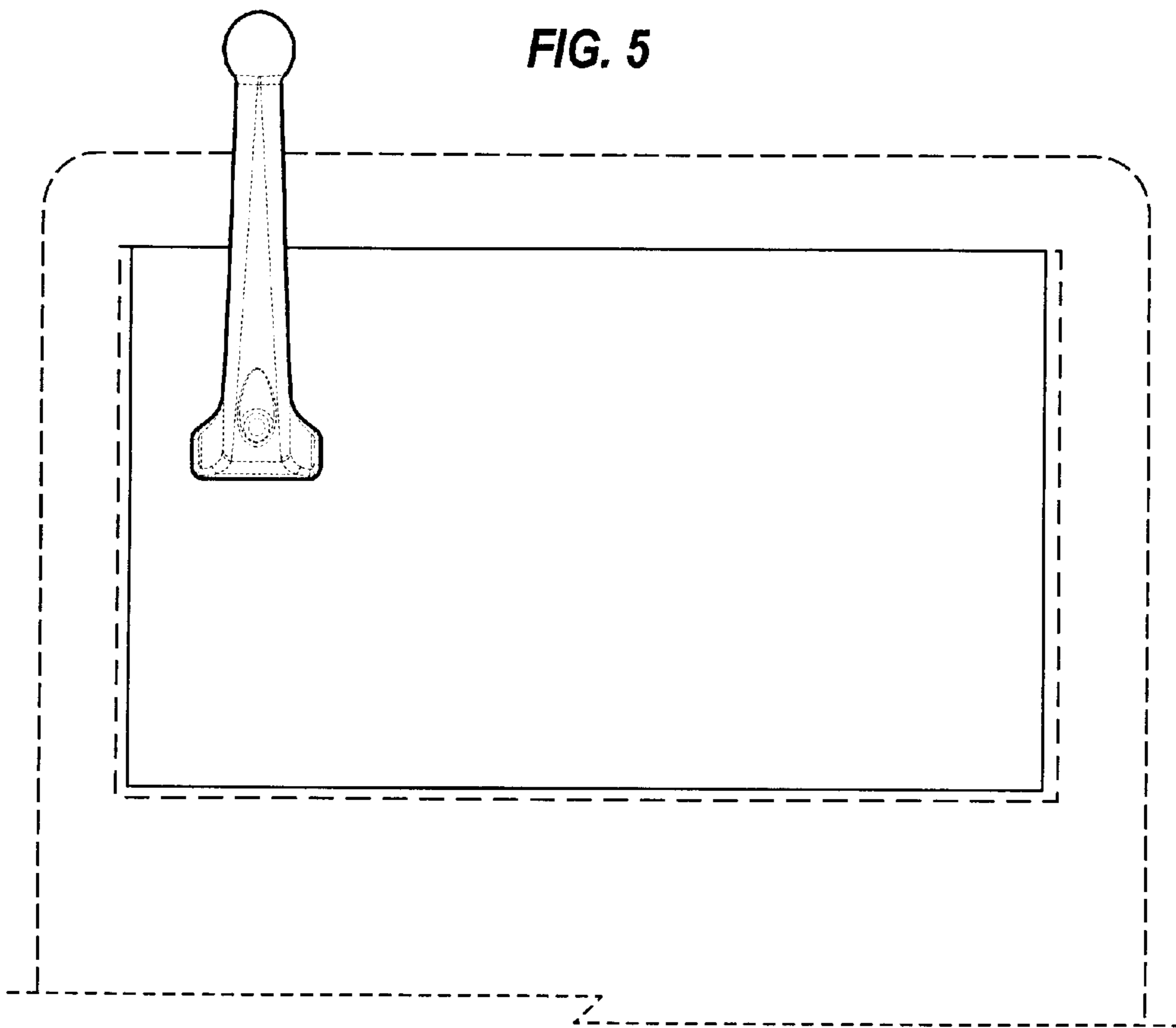


FIG. 6

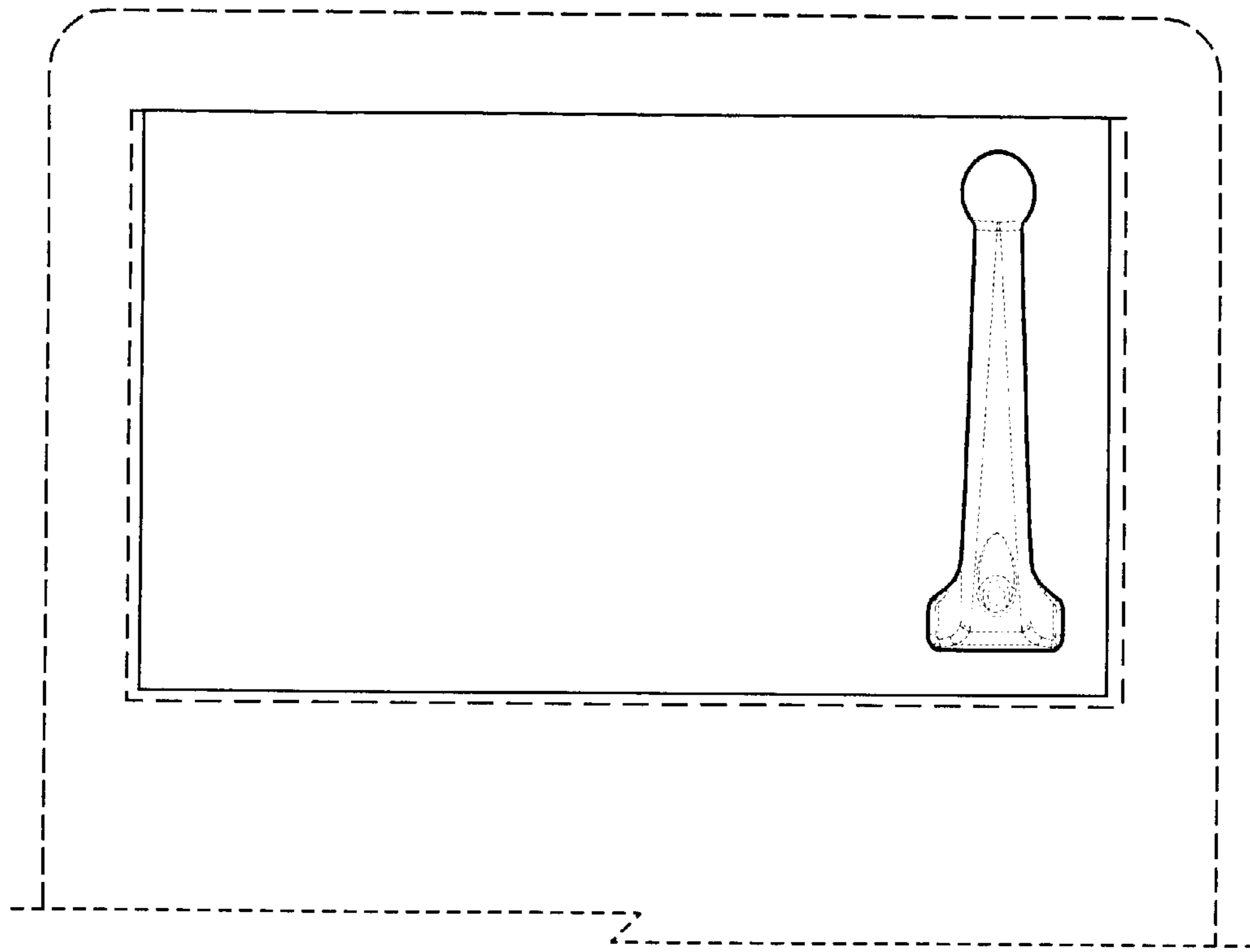


FIG. 7

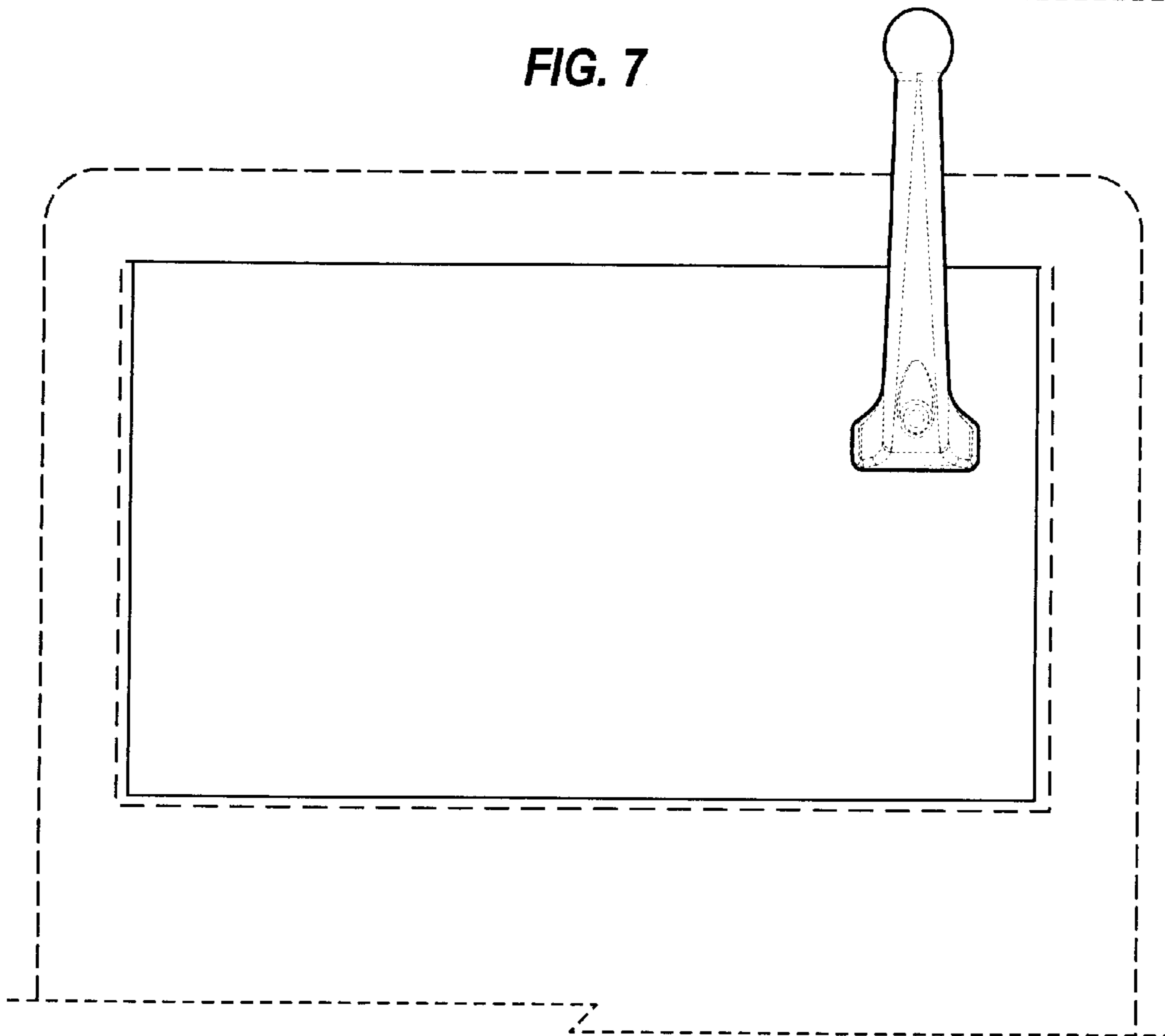


FIG. 8

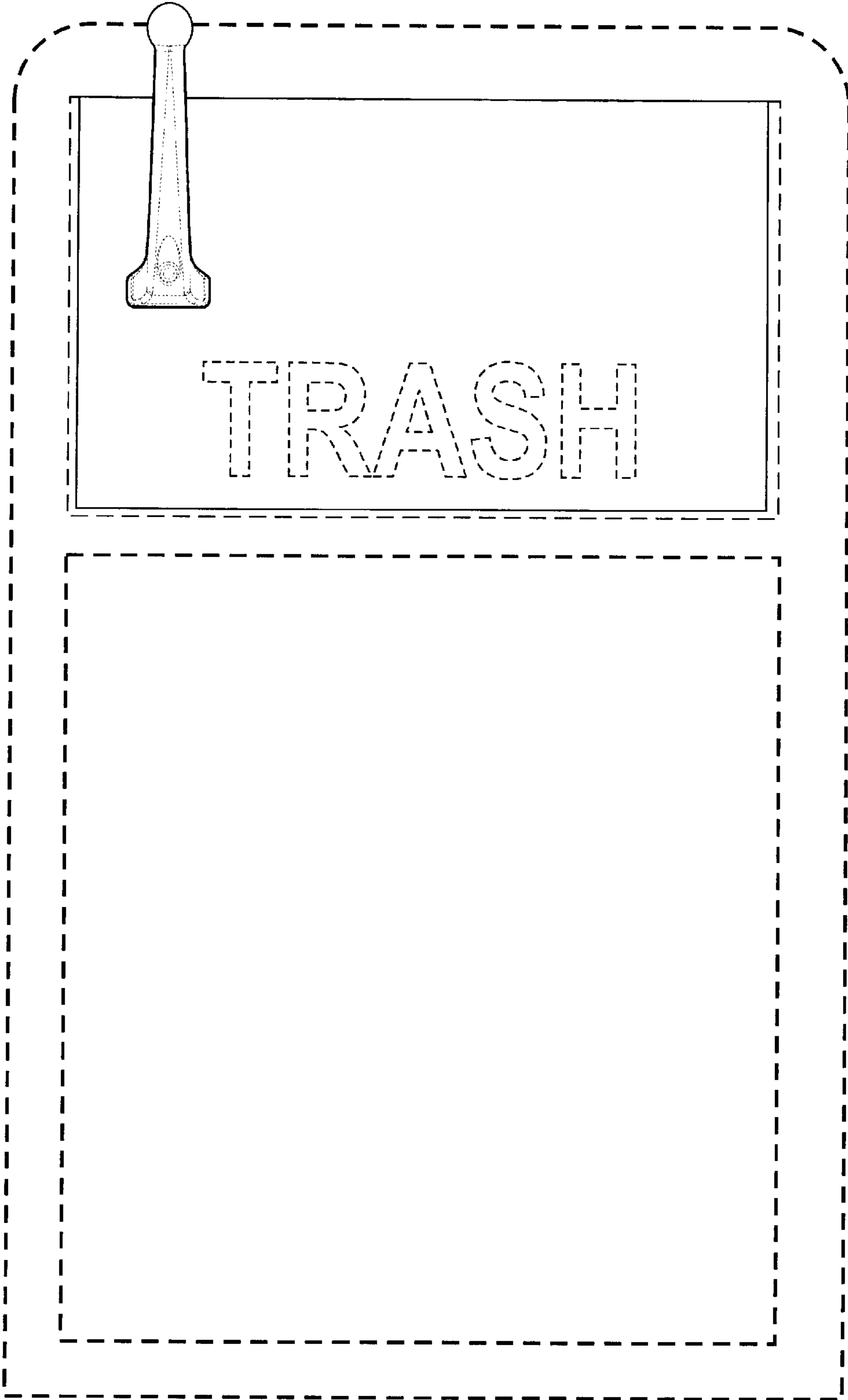


FIG. 9