



US00D522837S

(12) **United States Design Patent**
Vetter et al.

(10) **Patent No.:** **US D522,837 S**
(45) **Date of Patent:** **** Jun. 13, 2006**

- (54) **FOLDING HANDLE AND OPERATOR COVER**
- (75) Inventors: **Gregory J. Vetter**, Owatonna, MN (US); **Brian Dallmann**, Owatonna, MN (US)
- (73) Assignee: **Truth Hardware Corporation**, Owatonna, MN (US)
- (**) Term: **14 Years**

- D375,042 S 10/1996 Anderson et al.
- 5,560,082 A 10/1996 Vetter
- D375,254 S 11/1996 Anderson et al.
- D375,445 S 11/1996 Harrison et al.
- D375,674 S 11/1996 Anderson et al.
- D376,099 S 12/1996 Orf et al.
- 5,620,213 A 4/1997 Ellis
- D379,917 S 6/1997 Vetter et al.
- D390,454 S 2/1998 Vetter et al.
- D390,777 S 2/1998 Peterson et al.
- 5,740,632 A 4/1998 Peterson et al.

(Continued)

- (21) Appl. No.: **29/228,676**
- (22) Filed: **Apr. 27, 2005**

Primary Examiner—Paula A. Greene
(74) *Attorney, Agent, or Firm*—Patterson, Thunte, Skarr & Christensen, P.A.

- (51) **LOC (8) Cl.** **08-06**
- (52) **U.S. Cl.** **D8/306; D8/337**
- (58) **Field of Classification Search** D8/300, D8/301, 302, 330, 331, 336, 337, 338, 343, D8/400; 74/547, 557, 606 R; 16/429, 700; 49/252, 260, 279, 280, 324, 337, 345
See application file for complete search history.

(57) **CLAIM**

We claim the ornamental design for folding handle and operator cover, as shown and described.

DESCRIPTION

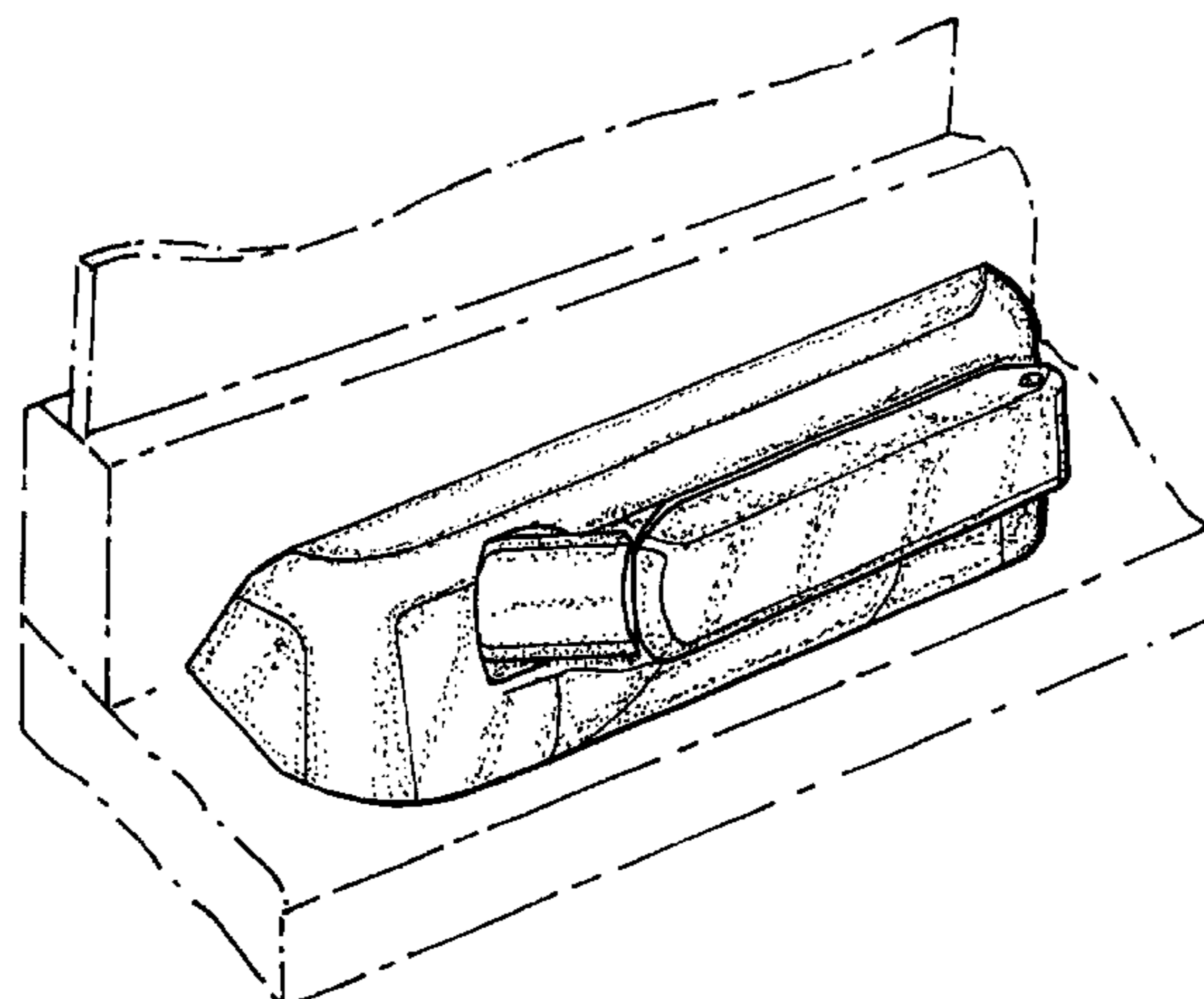
FIG. 1 is a perspective view of a folding handle and operator cover according to an embodiment of the invention with the folding handle in a folded position and with the folding handle and operator cover positioned on a window frame; FIG. 2 is a perspective view of a folding handle and operator cover according to an embodiment of the invention with the folding handle in an unfolded position; FIG. 3 is a top plan view of a folding handle and operator cover according to an embodiment of the invention; FIG. 4 is a front elevation view of a folding handle and operator cover according to an embodiment of the invention; FIG. 5 is a rear elevation view of a folding handle and operator cover according to an embodiment of the invention; FIG. 6 is an elevation view of a first side of a folding handle and operator cover according to an embodiment of the invention; and, FIG. 7 is an elevation view of the opposing side of a folding handle and operator cover according to an embodiment of the invention. The broken lines are for illustrative purposes only and forms no part of the claimed design.

(56) **References Cited**

U.S. PATENT DOCUMENTS

- 1,274,471 A 8/1918 Todd
- 2,355,932 A 8/1944 Walton
- 3,007,348 A 11/1961 Barnes
- 3,044,478 A 7/1962 Russell
- D217,718 S 6/1970 Magers et al.
- 4,392,330 A 7/1983 Buhr
- 4,937,976 A * 7/1990 Tucker et al. 49/345
- 5,006,766 A 4/1991 Yuhas et al.
- D331,531 S 12/1992 Guhl et al.
- D347,569 S 6/1994 Vetter et al.
- D350,666 S 9/1994 Wobschall et al.
- 5,400,473 A 3/1995 Delman
- D360,357 S 7/1995 Peterson et al.
- D361,490 S 8/1995 Vetter
- 5,467,503 A 11/1995 Nolte et al.
- D365,513 S 12/1995 Vetter et al.
- D369,290 S * 4/1996 Subliskey D8/337
- D369,741 S 5/1996 Harrison et al.
- 5,531,138 A 7/1996 Vetter
- 5,551,316 A 9/1996 Blank

1 Claim, 2 Drawing Sheets



U.S. PATENT DOCUMENTS

5,765,308 A	6/1998	Anderson et al.	6,227,581 B1	5/2001	Lambert
5,813,171 A	9/1998	Piltingsrud	D450,237 S	11/2001	Vande Steeg et al.
D408,274 S	4/1999	Vetter et al.	D451,781 S	12/2001	Vande Steeg et al.
D408,729 S	4/1999	Virkler et al.	D452,999 S	1/2002	Vande Steeg et al.
5,937,582 A	8/1999	Taylor	D459,193 S	6/2002	Vande Steeg et al.
D418,050 S	12/1999	Lisiecki et al.	D459,982 S	7/2002	Vande Steeg et al.
D421,209 S	2/2000	Buckland	D476,882 S	7/2003	Gledhill et al.
6,039,363 A	3/2000	Sugimura et al.	6,640,389 B1	11/2003	Van Klompenburg et al.
6,164,156 A	12/2000	Purcell	D487,012 S *	2/2004	Stoll et al. D8/337
6,174,005 B1	1/2001	Norton	D494,850 S	8/2004	Braun et al.

* cited by examiner

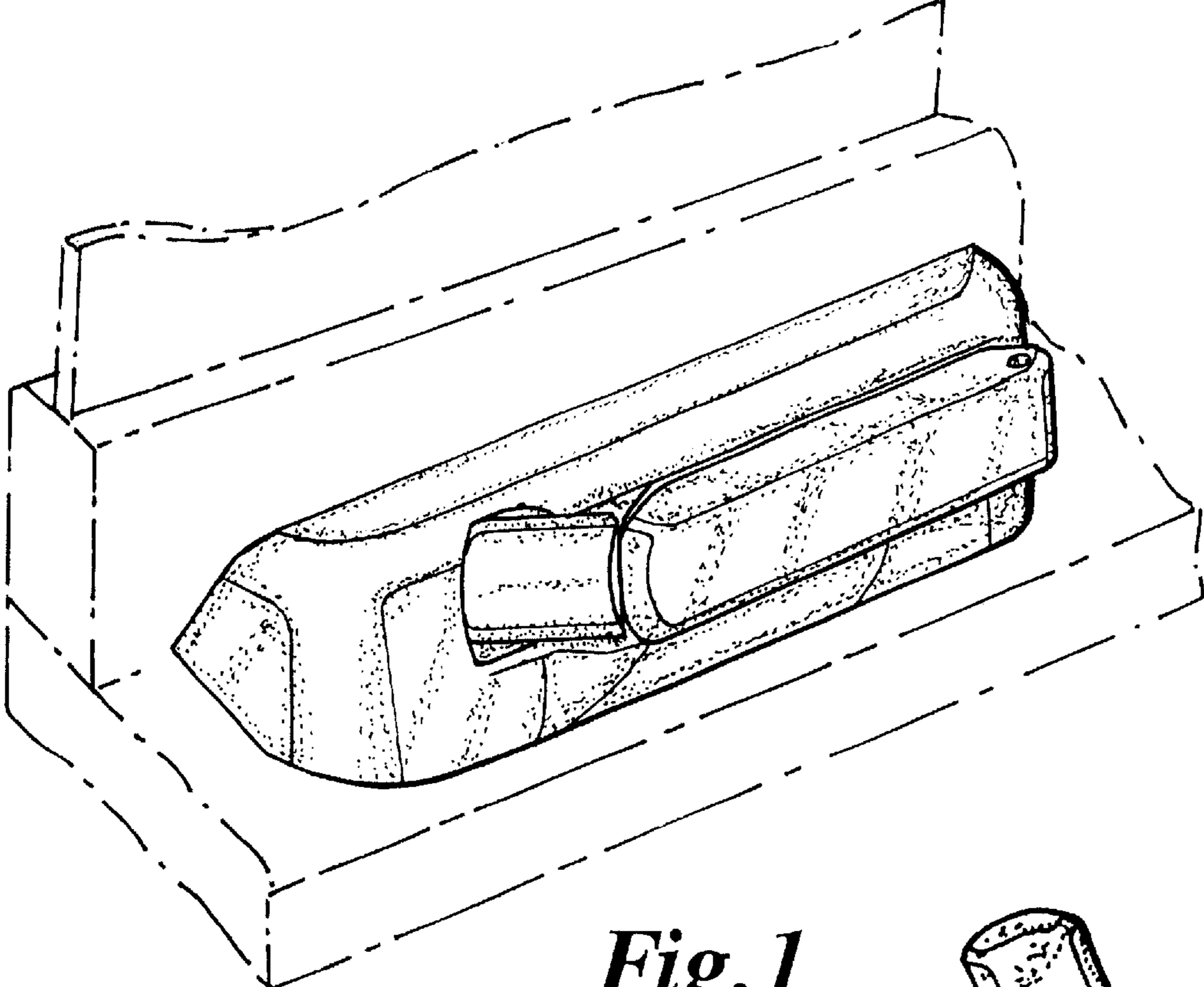


Fig. 1

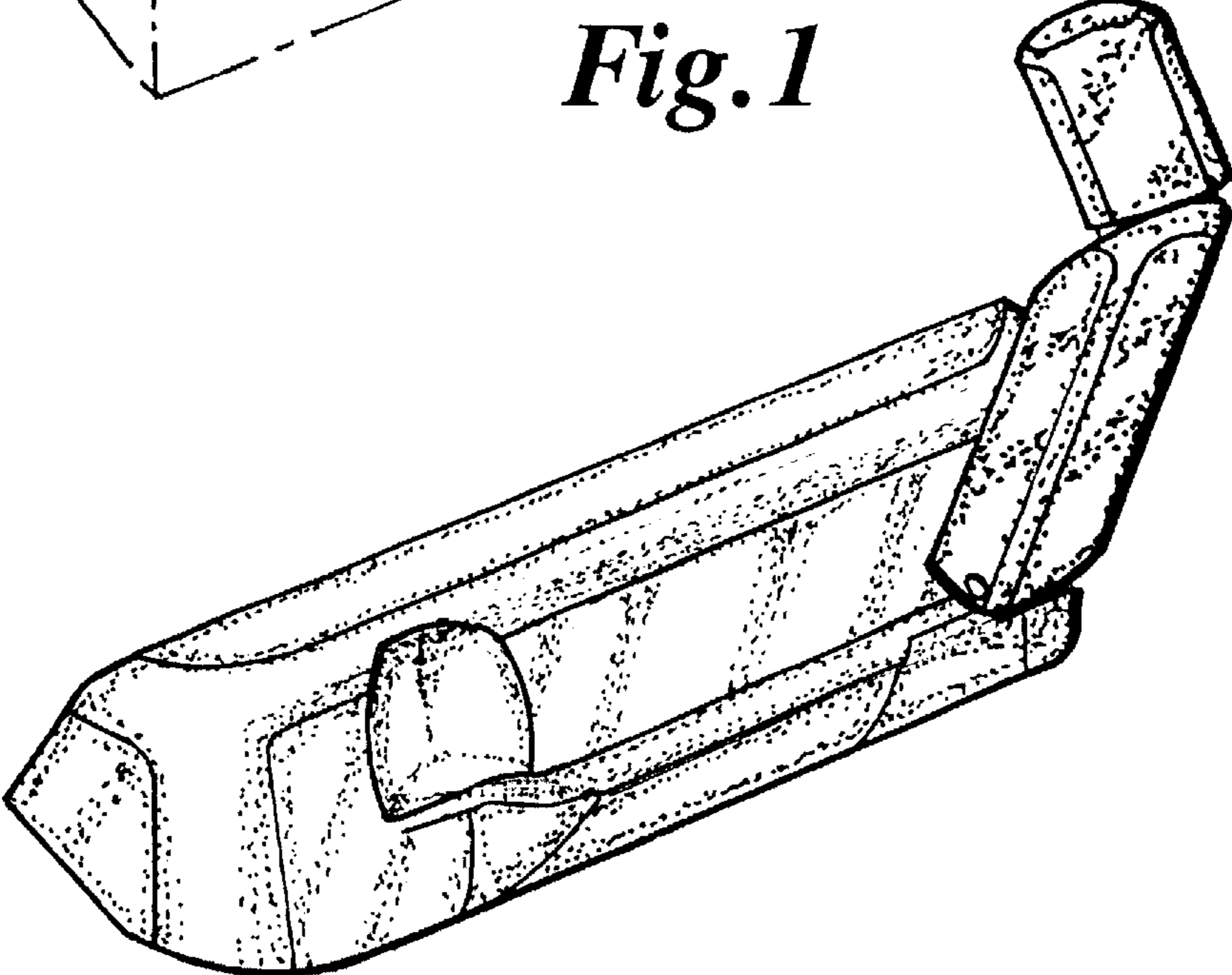


Fig. 2

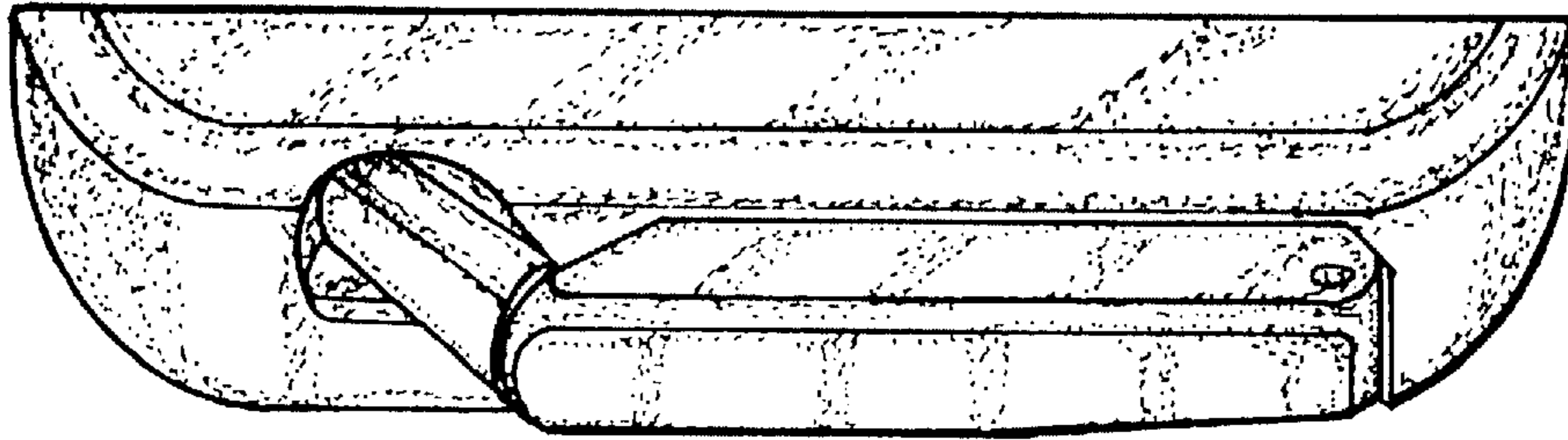


Fig. 3

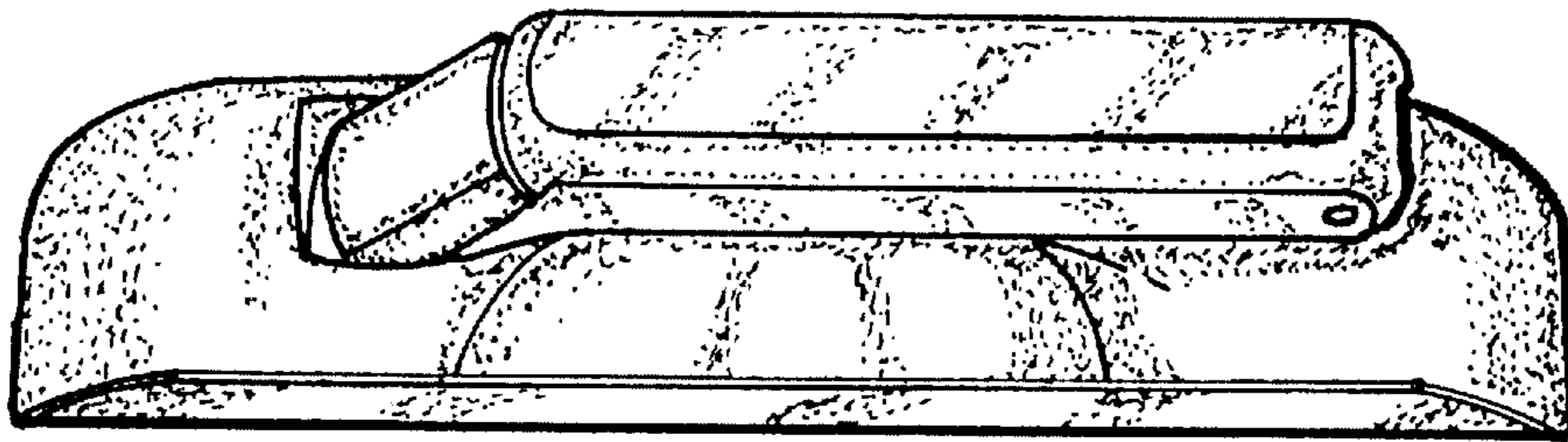


Fig. 4

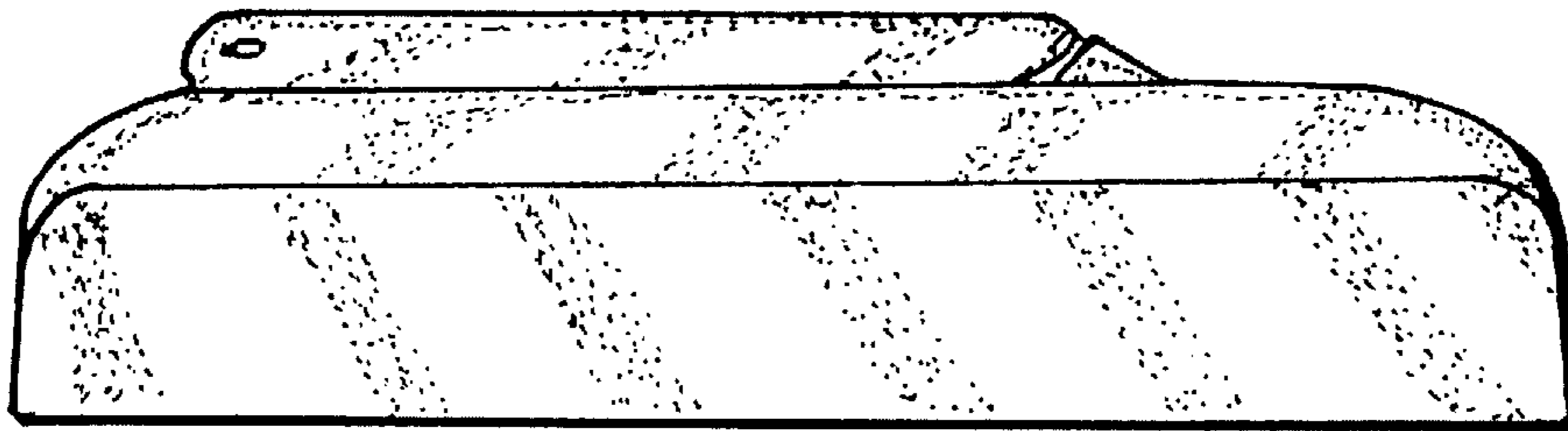


Fig. 5

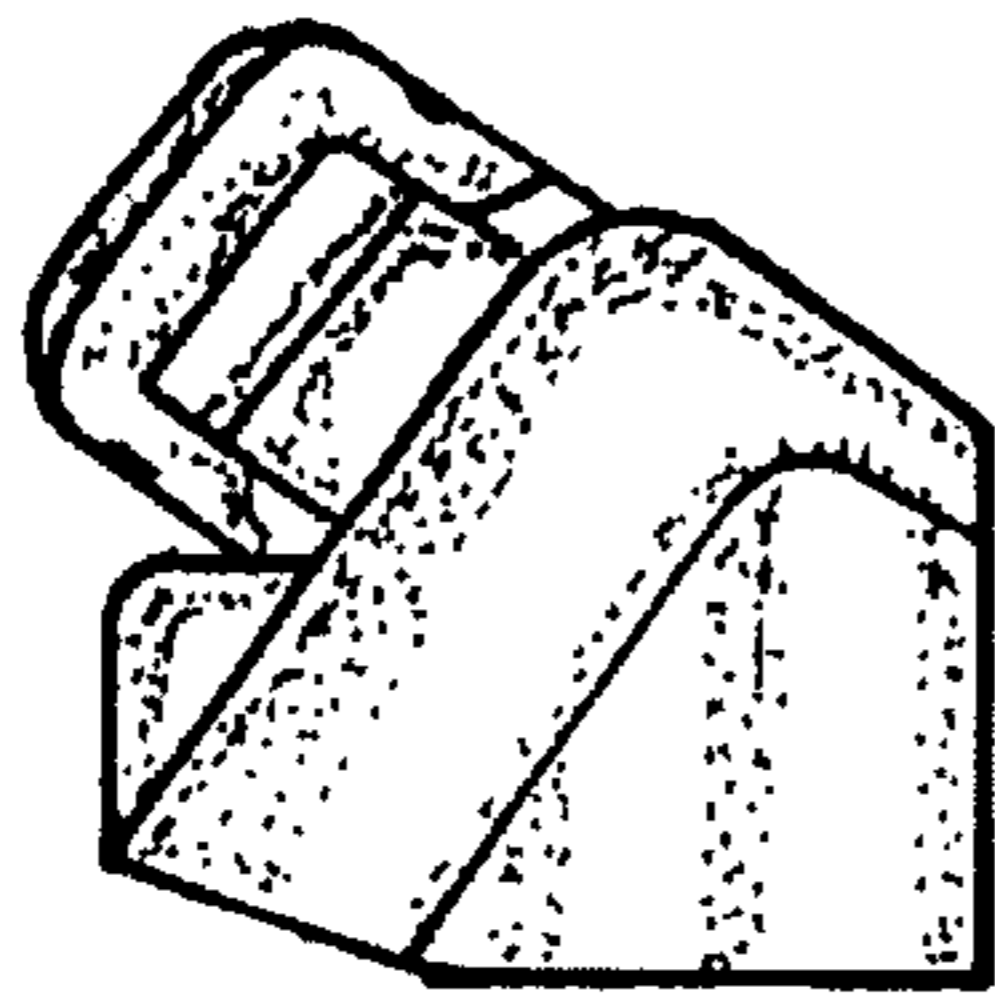


Fig. 6

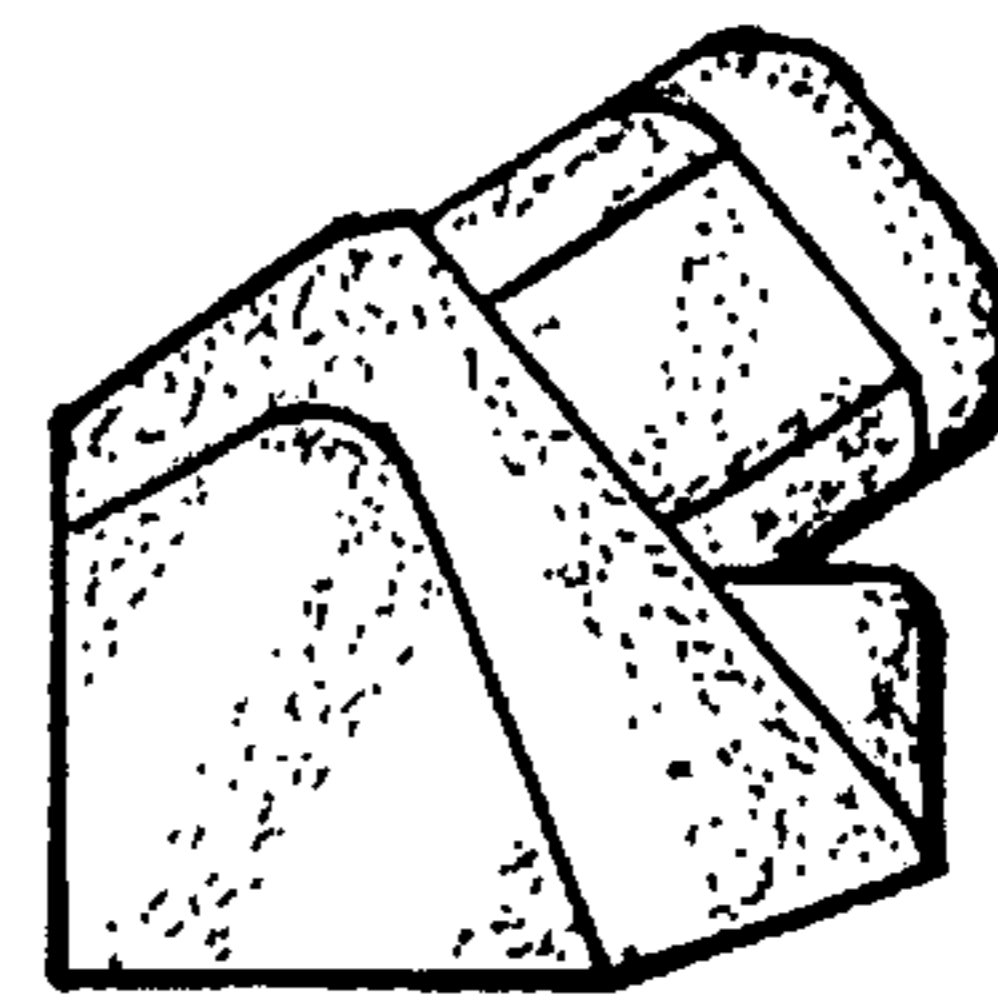


Fig. 7