



US00D522835S

(12) **United States Design Patent**
Ping

(10) **Patent No.:** **US D522,835 S**

(45) **Date of Patent:** **** Jun. 13, 2006**

(54) **FOLDABLE KNIFE**

FOREIGN PATENT DOCUMENTS

(75) Inventor: **Qiu Jian Ping**, Hangzhou (CN)
(73) Assignee: **Great Neck Saw Manufacturers, Inc.**,
Mineola, NY (US)
(**) Term: **14 Years**

CN	02-2-88379.7	12/2002
CN	200420008454.6	3/2004
CN	200420008852.7	3/2004
CN	200420020589.3	3/2004
CN	200420020590.6	3/2004
CN	200420020591.0	3/2004
WO	WO90086633	8/1990

(21) Appl. No.: **29/210,807**
(22) Filed: **Aug. 6, 2004**

Primary Examiner—Philip S. Hyder
(74) *Attorney, Agent, or Firm*—Joseph J. Previto

(51) **LOC (8) Cl.** **08-03**
(52) **U.S. Cl.** **D8/99**
(58) **Field of Classification Search** D8/98,
D8/99, 107; D22/117; 30/154, 155, 156,
30/157, 158, 159, 160, 161, 162, 330
See application file for complete search history.

(57) **CLAIM**

The ornamental design for a foldable knife, substantially as shown and described.

DESCRIPTION

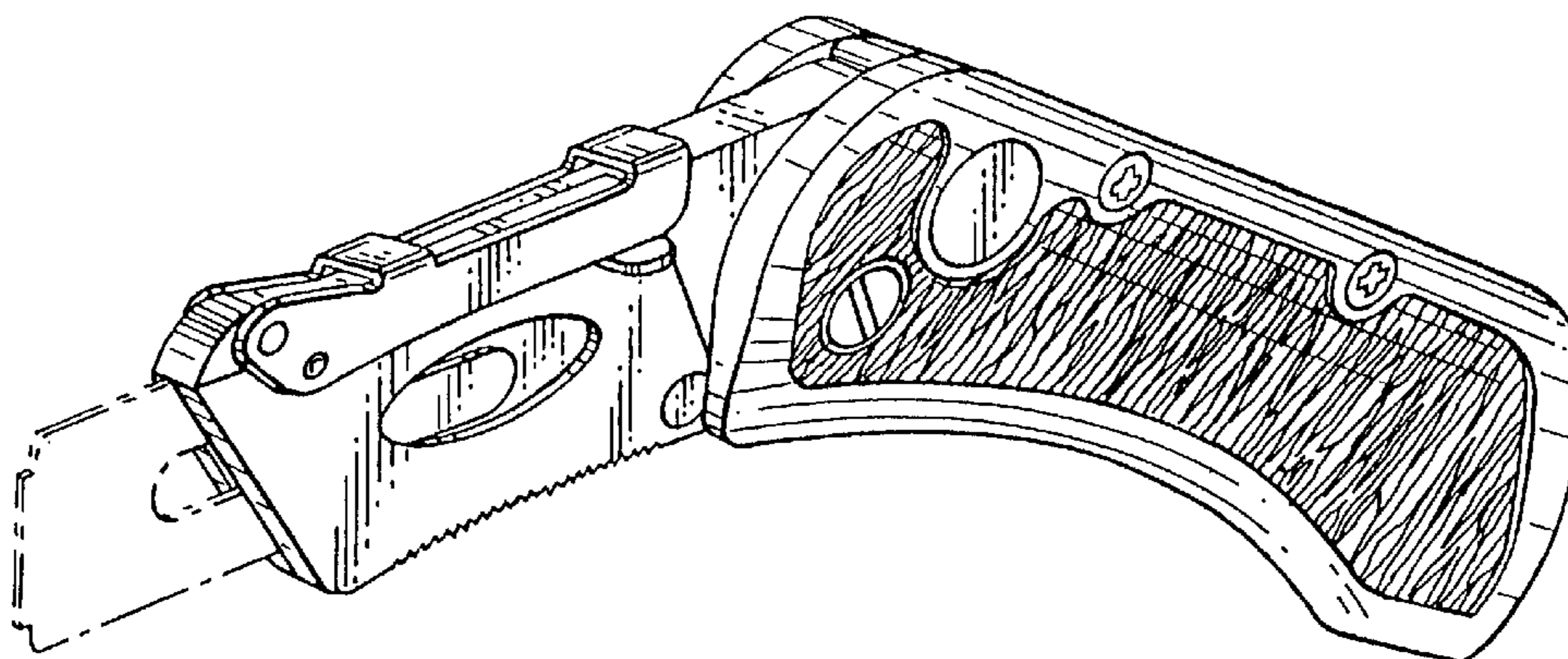
FIG. 1 is a perspective view of my new design.
FIG. 2 is a top view thereof.
FIG. 3 is a side view thereof.
FIG. 4 is a front view thereof.
FIG. 5 is a rear view thereof.
FIG. 6 is a bottom view thereof.
FIG. 7 is another side view thereof.
FIG. 8 is a side view thereof showing it in a partially folded position.
FIG. 9 is a side view thereof showing it in a folded position.
FIG. 10 is a perspective view showing another embodiment of the present invention in an unfolded position.
FIG. 11 is a top view thereof.
FIG. 12 is a side view thereof.
FIG. 13 is a front view thereof.
FIG. 14 is a rear view thereof.
FIG. 15 is a bottom view thereof.
FIG. 16 is another side view thereof.
FIG. 17 is a side view thereof showing it in a partially folded position; and,
FIG. 18 is a side view thereof showing it in a folded position.
The broken lines showing the blade are for illustrative purposes only and form no part of the claimed design.

(56) **References Cited**
U.S. PATENT DOCUMENTS

97,154 A	11/1869	Barnard
493,075 A	3/1893	Evertz
515,045 A	2/1894	Bultzingslowen
584,077 A	6/1897	Jackson
596,096 A	12/1897	Watts
988,068 A	3/1911	Beardsley
1,362,142 A	12/1920	Rohrer
1,444,324 A	2/1923	Brooks
1,706,251 A	3/1929	Perry
1,750,517 A	3/1930	DeBracht
1,750,577 A	3/1930	DeBracht
2,134,973 A	11/1938	Harwell
2,265,775 A	12/1941	Mc Namara
2,284,128 A	5/1942	Bush
2,523,575 A	9/1950	Kassel
2,914,850 A	12/1959	Kuhnl
2,980,996 A	4/1961	Beran
3,306,297 A	2/1967	Voorhees
3,568,315 A	3/1971	Smith
3,593,417 A	7/1971	West
3,872,591 A	3/1975	Quenot
4,017,969 A	4/1977	Stonebraker
4,040,181 A	8/1977	Johnson
4,261,104 A	4/1981	Cuscovitch

(Continued)

1 Claim, 8 Drawing Sheets



US D522,835 S

Page 2

U.S. PATENT DOCUMENTS

4,347,665 A	9/1982	Glesser		5,979,059 A	11/1999	Leatherman	
4,442,600 A	4/1984	Felix-Salichow		6,170,104 B1	1/2001	Seber	
4,570,341 A	2/1986	Konneker		6,170,158 B1	1/2001	Daily	
4,604,805 A	8/1986	Krieger		6,256,887 B1	7/2001	Osborne	
4,665,615 A	5/1987	Martinez		6,256,888 B1	7/2001	Shuen	
4,669,188 A	6/1987	Evrell		6,263,581 B1	7/2001	Forte	
4,719,700 A	1/1988	Taylor, Jr.		6,354,007 B1 *	3/2002	Scarla	30/156
4,805,303 A	2/1989	Gibbs		6,370,778 B1	4/2002	Conable	
4,811,486 A	3/1989	Cunningham		6,446,341 B1	9/2002	Wang	
4,920,644 A	5/1990	La Gattuta		6,487,740 B1	12/2002	Seber	
4,936,014 A	6/1990	Shaanan et al.		D474,669 S *	5/2003	Onion	D8/99
5,044,079 A	9/1991	Gibbs		6,574,868 B1 *	6/2003	Overholt	30/155
5,095,624 A	3/1992	Ennis		6,688,003 B1	2/2004	Scarla	
5,125,157 A	6/1992	Howard		D494,437 S *	8/2004	Scarla	D8/99
5,400,509 A	3/1995	Collins		D495,939 S *	9/2004	Ping	D8/99
5,511,310 A	4/1996	Sessions		D501,782 S *	2/2005	Ping	D8/99
5,769,094 A *	6/1998	Jenkins et al.	30/161	2002/0059730 A1	5/2002	Flavigny	
5,815,927 A	10/1998	Collins		2004/0020057 A1	2/2004	Hughes	
5,826,340 A	10/1998	Hull		2004/0045171 A1	3/2004	Moizis	
5,909,930 A	6/1999	Ragland		2004/0103541 A1	6/2004	Scarla	
5,966,816 A	10/1999	Roberson					

* cited by examiner

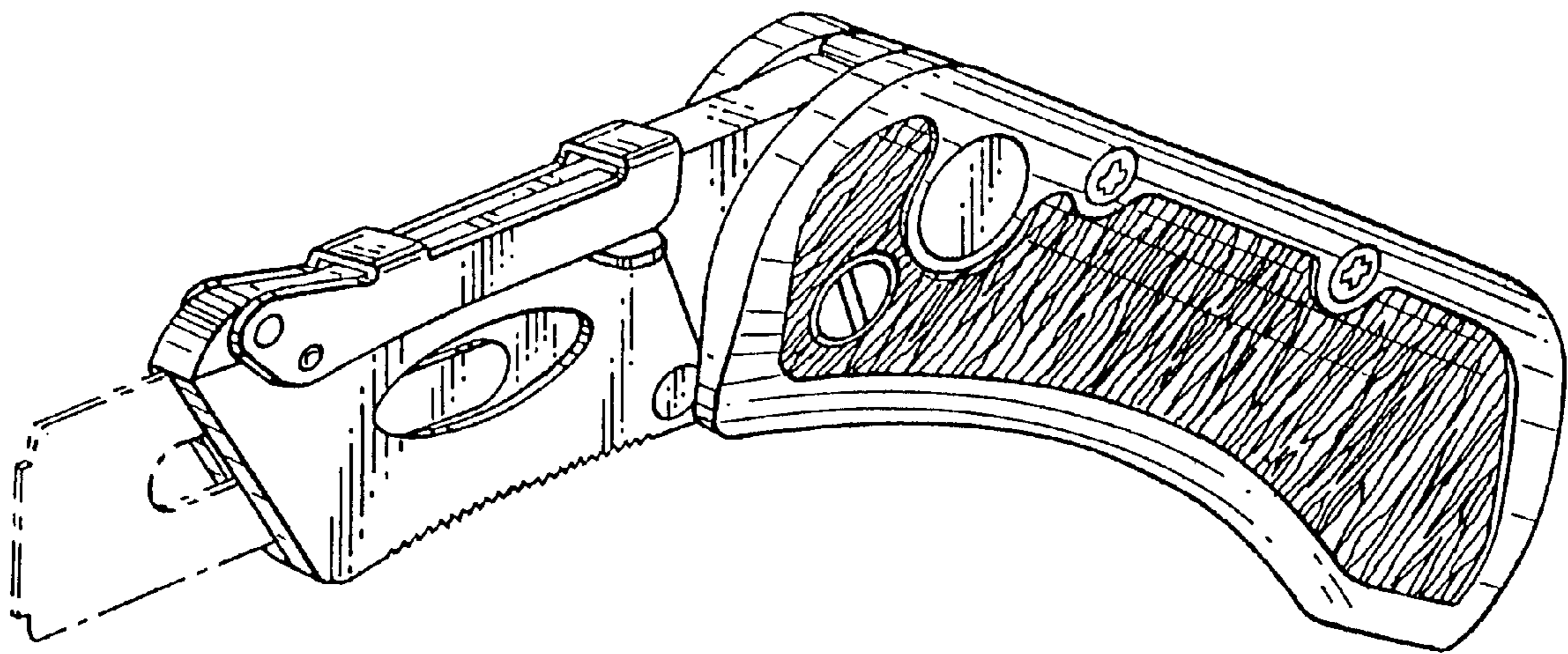


FIG.1

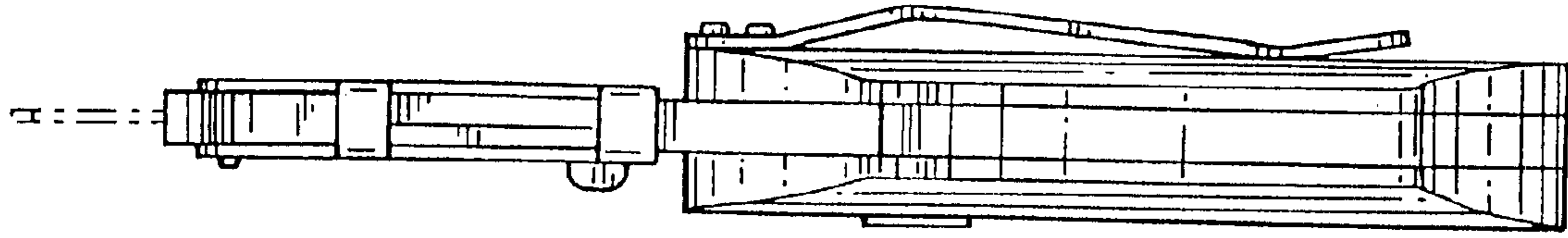


FIG. 2

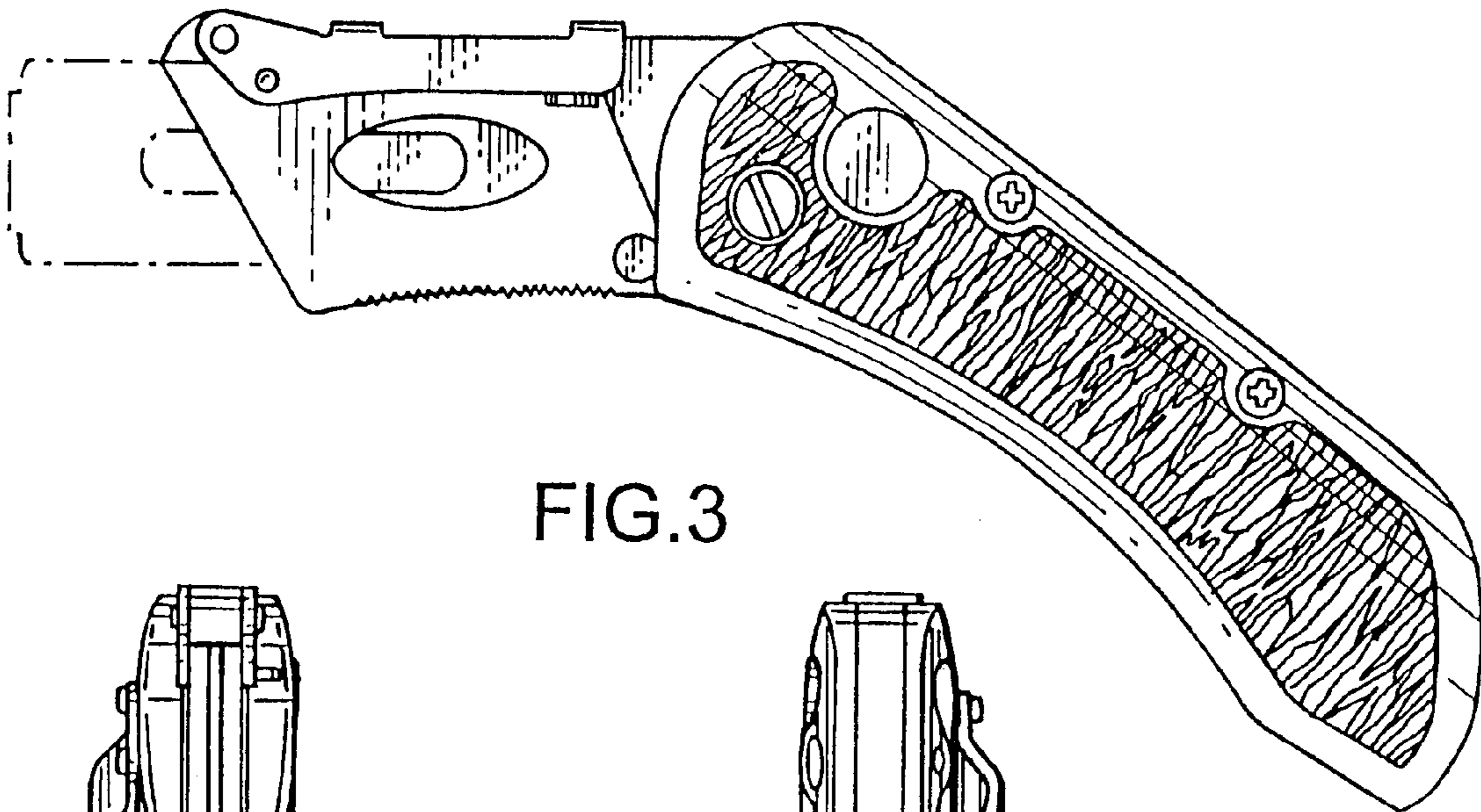


FIG. 3

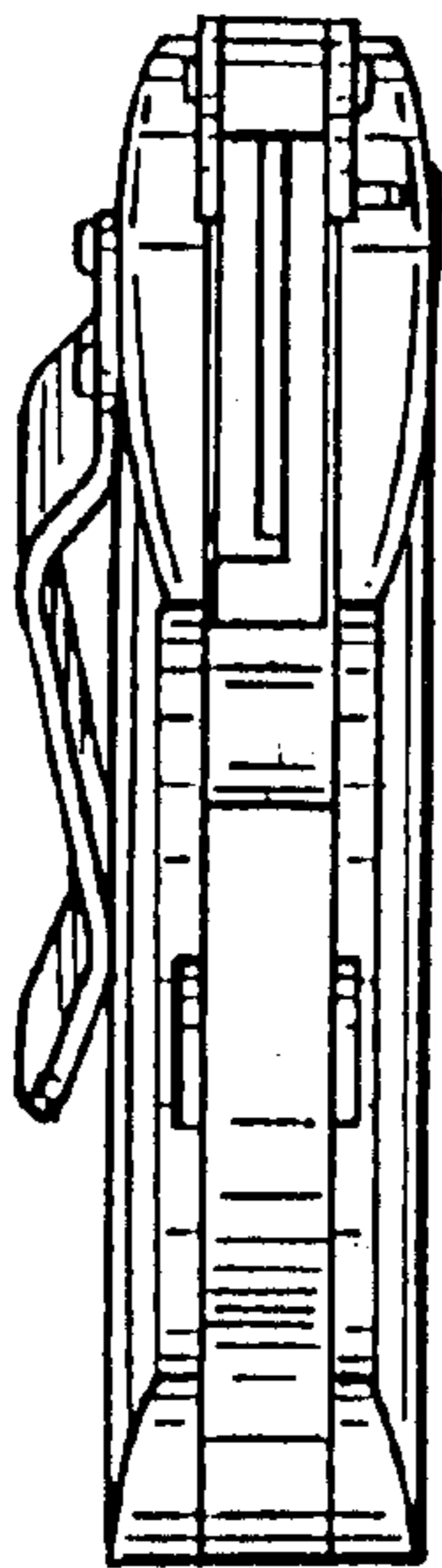


FIG. 4

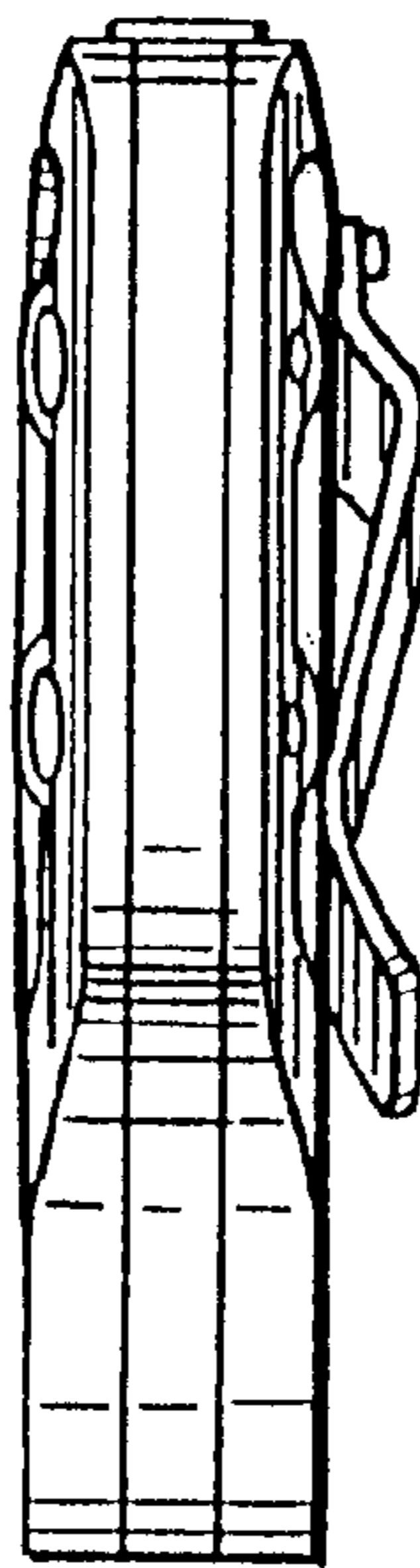


FIG. 5

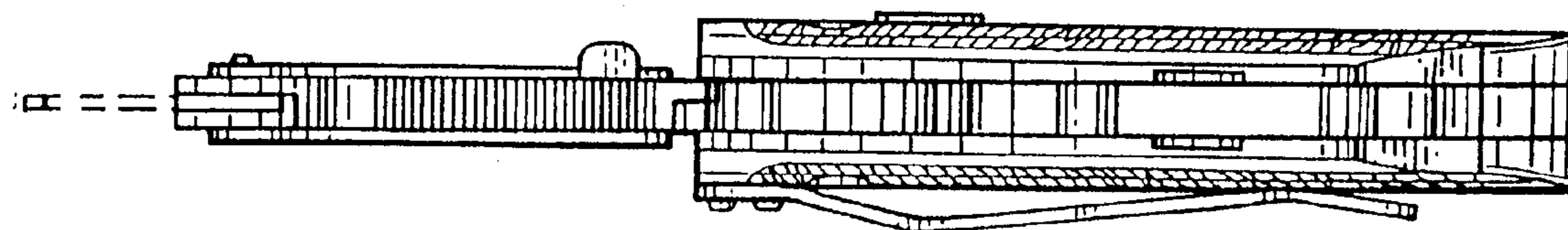


FIG. 6

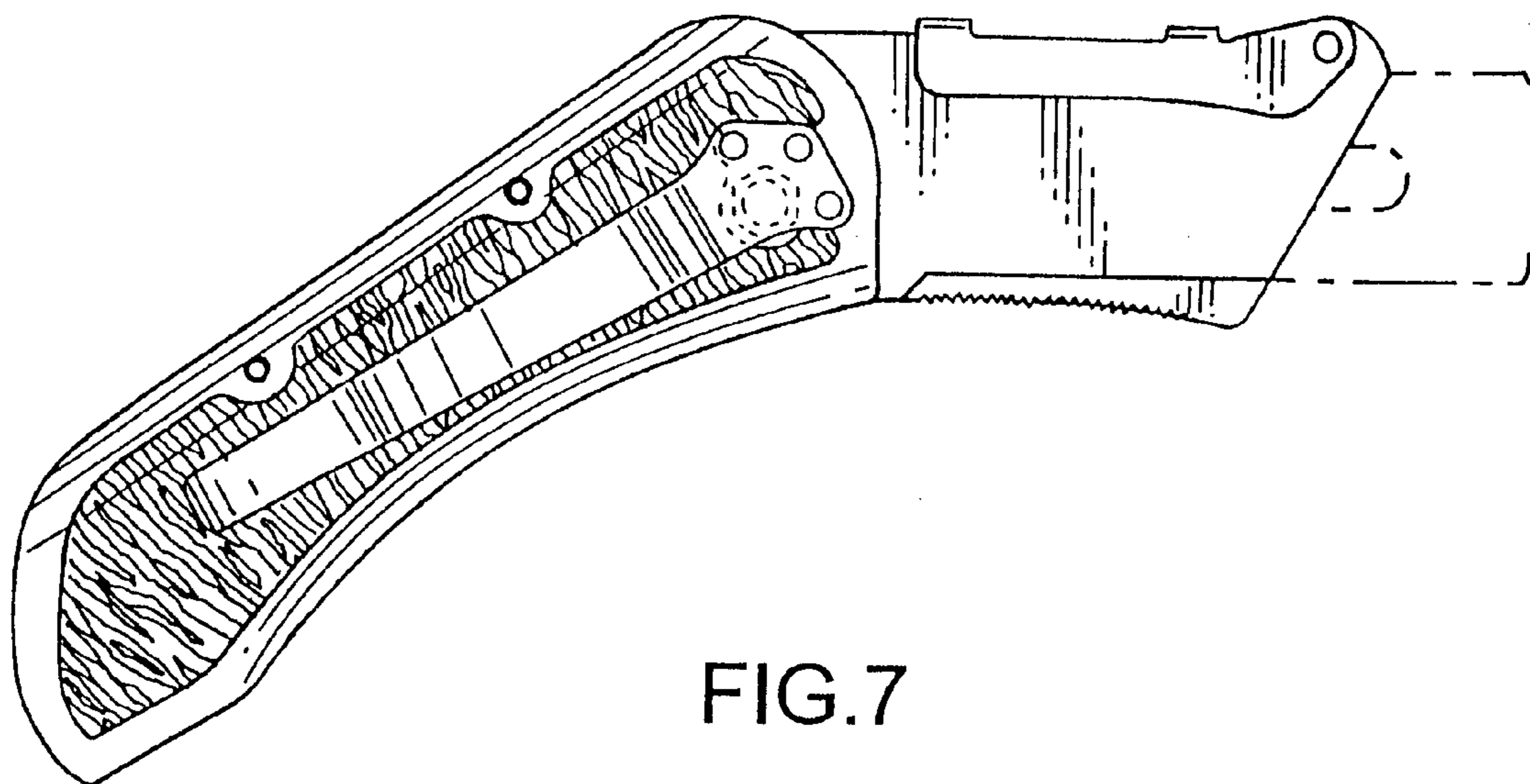


FIG. 7

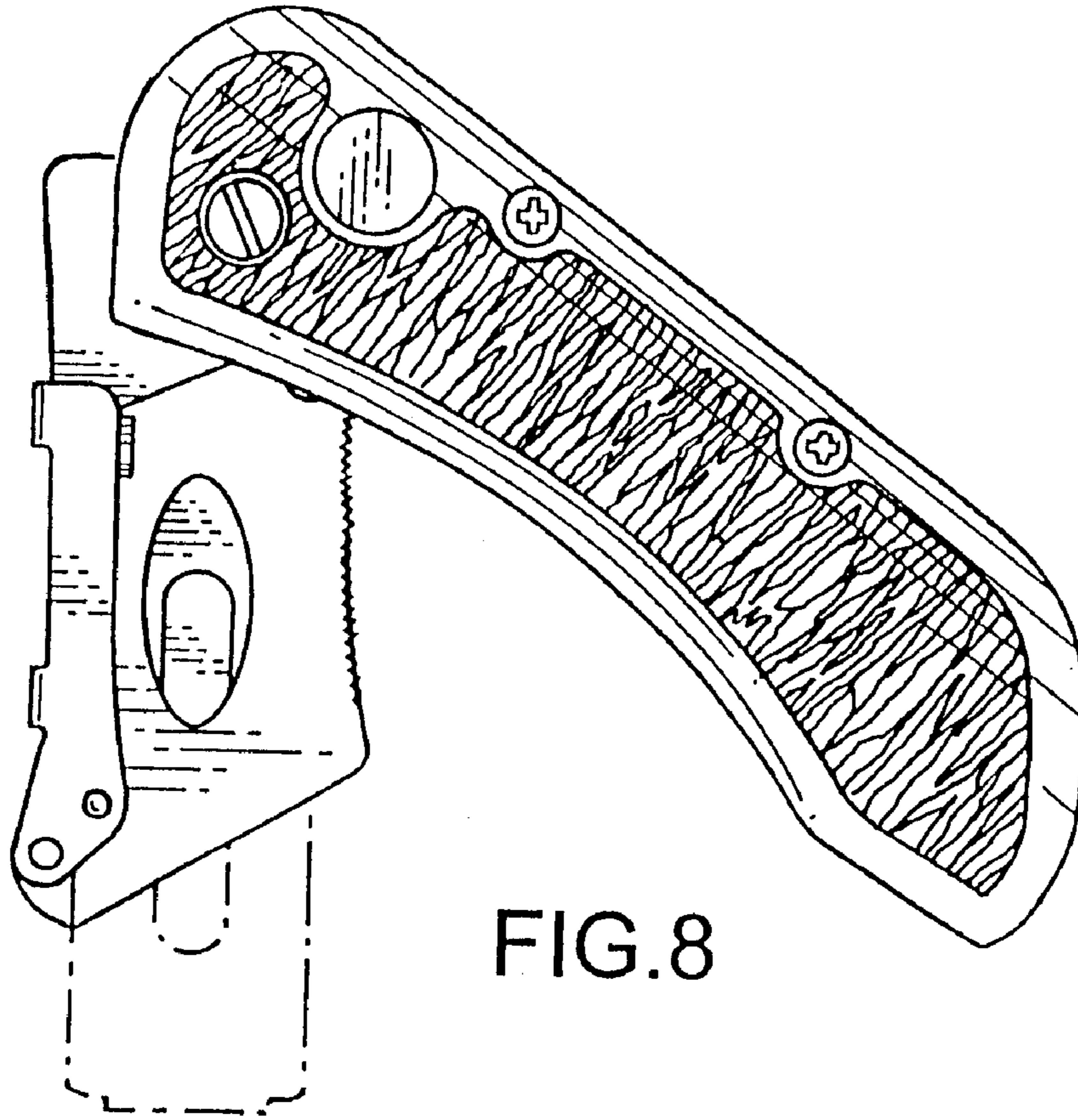


FIG. 8

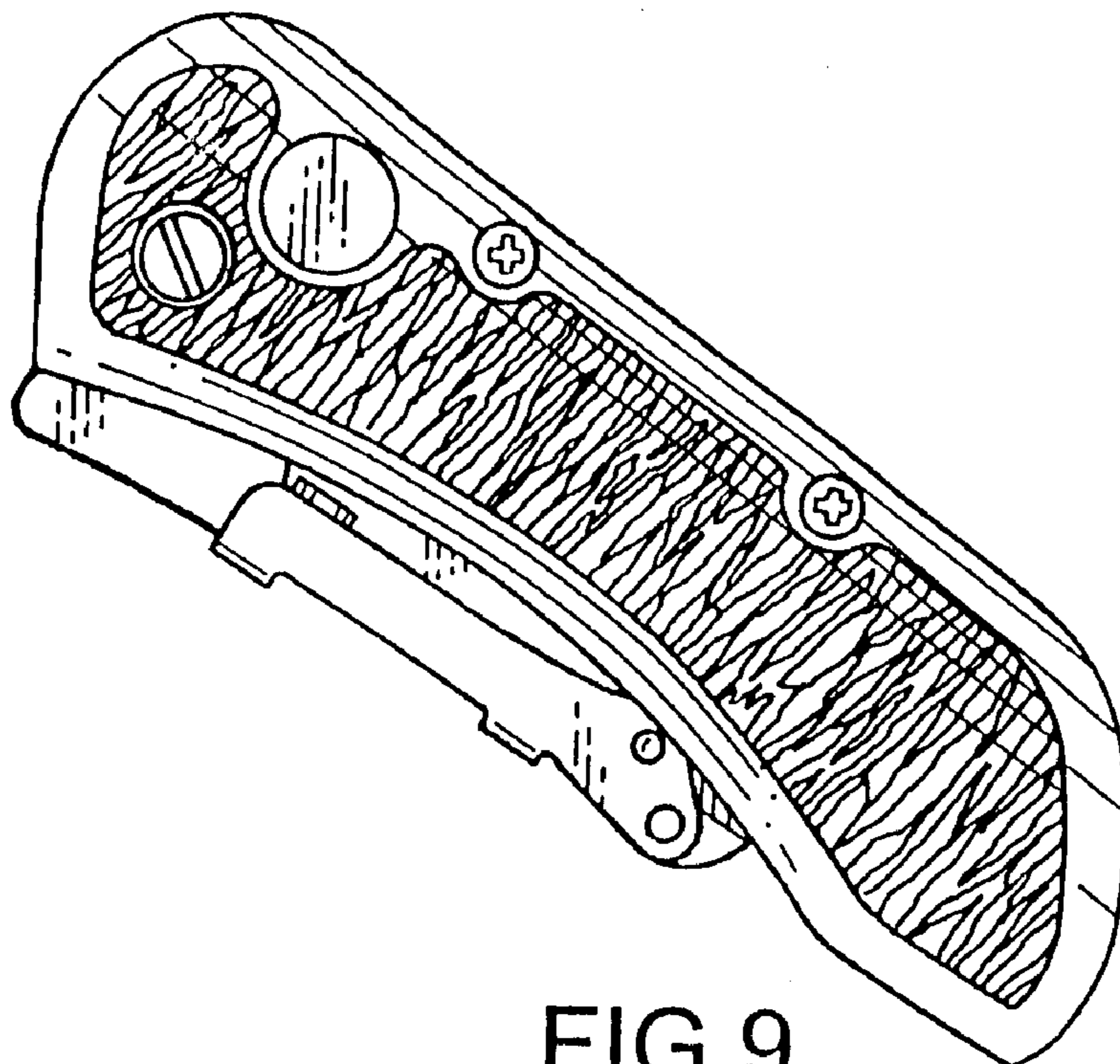


FIG. 9

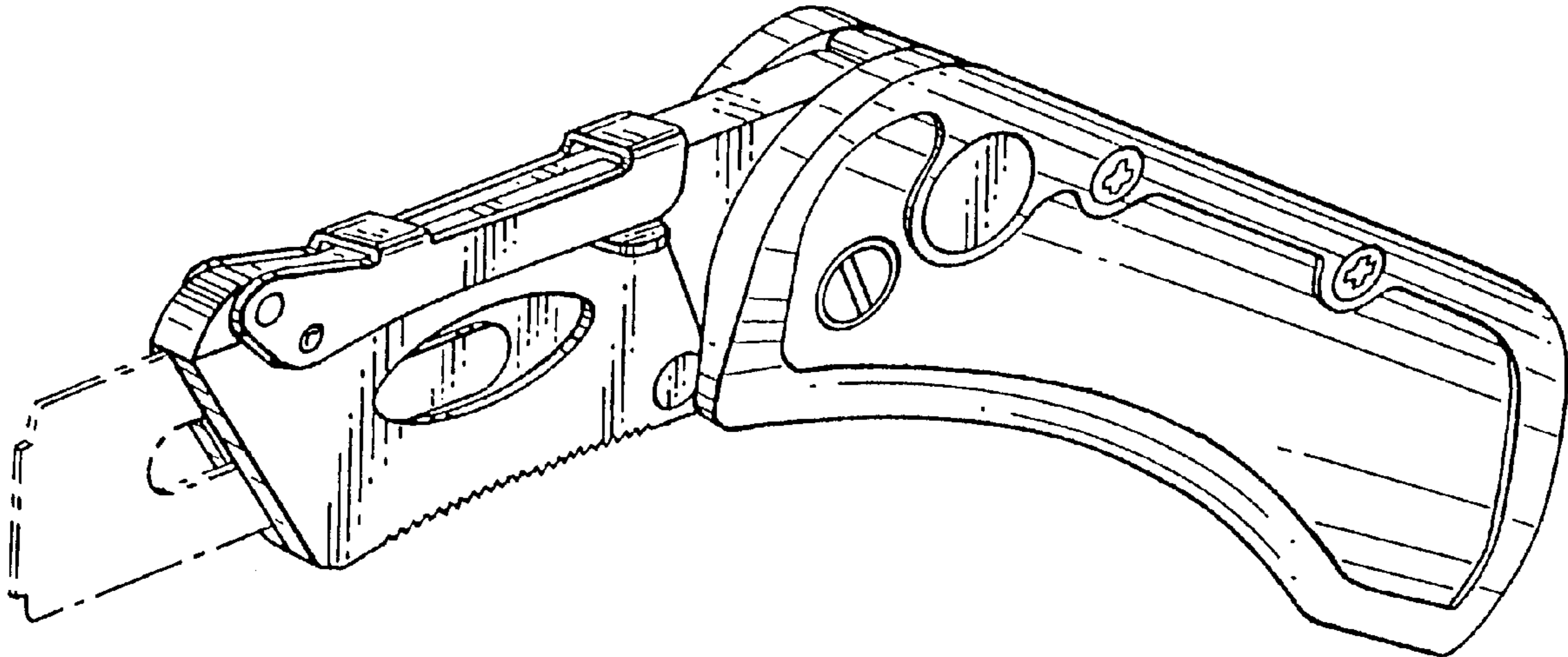


FIG.10

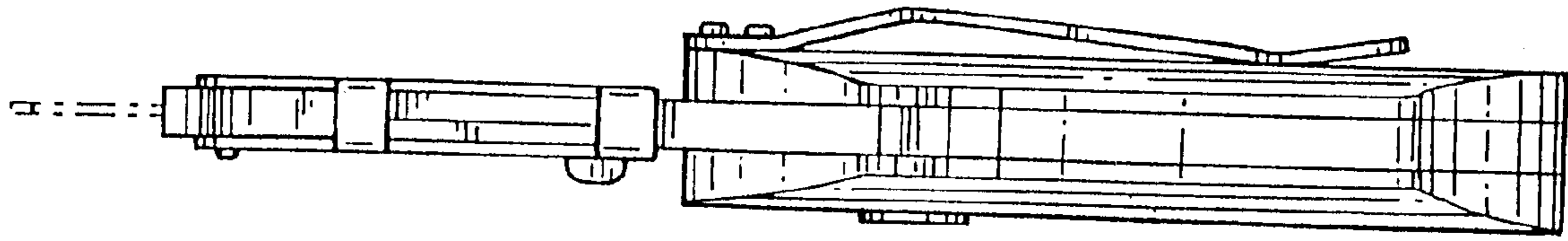


FIG. 11

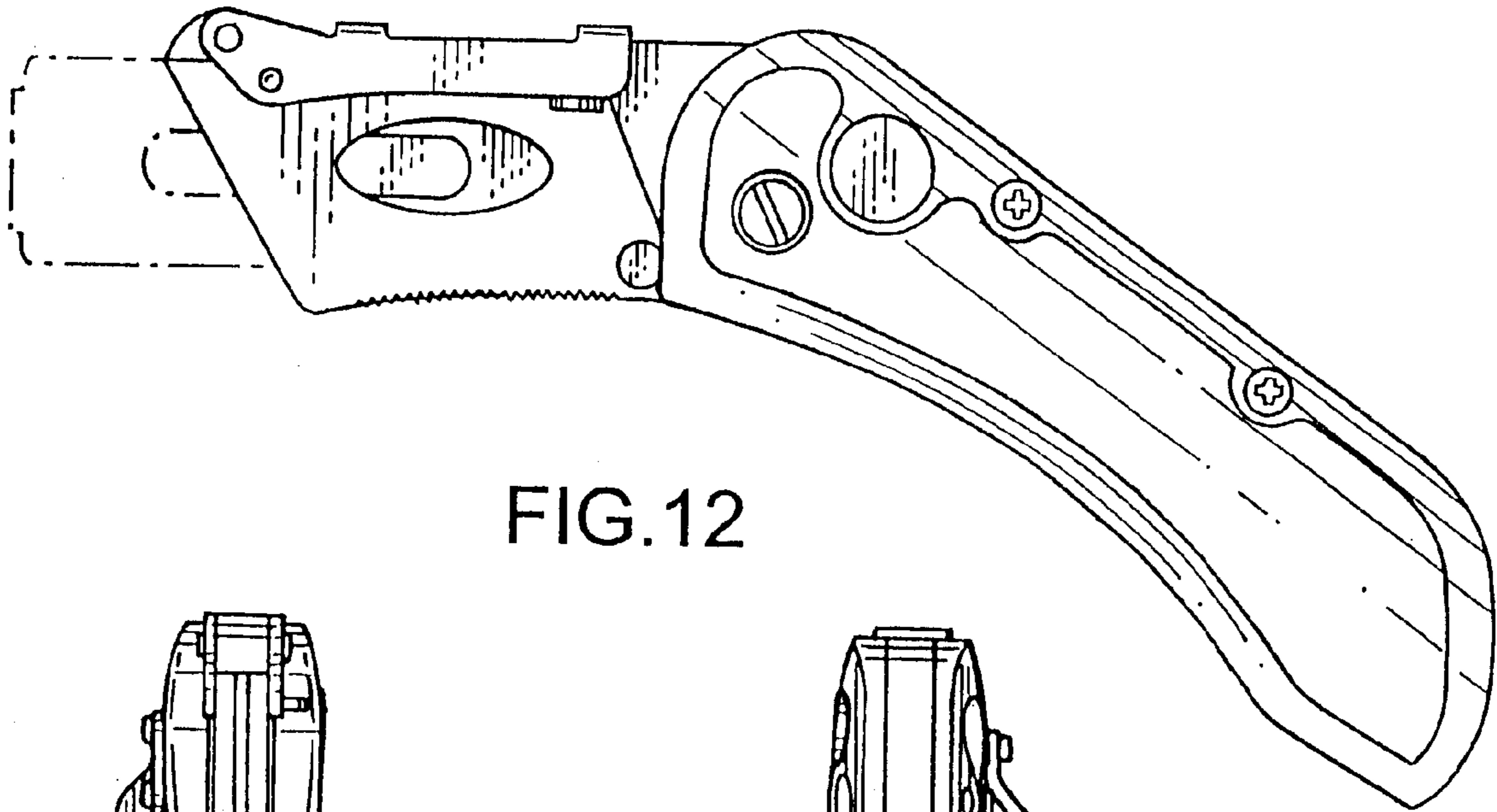


FIG. 12

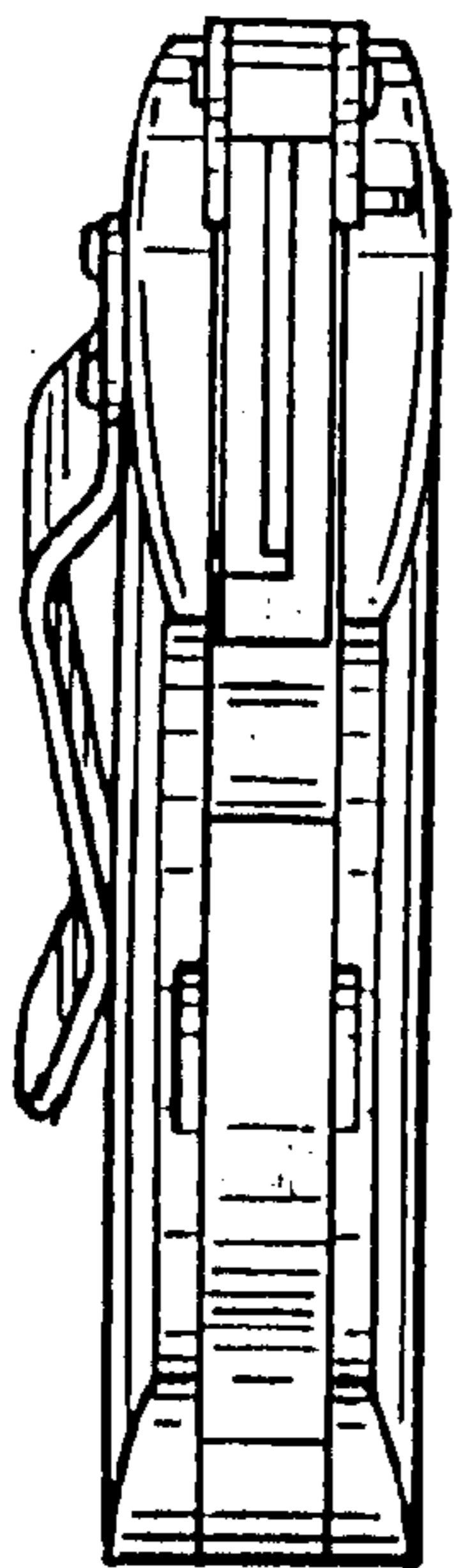


FIG. 13

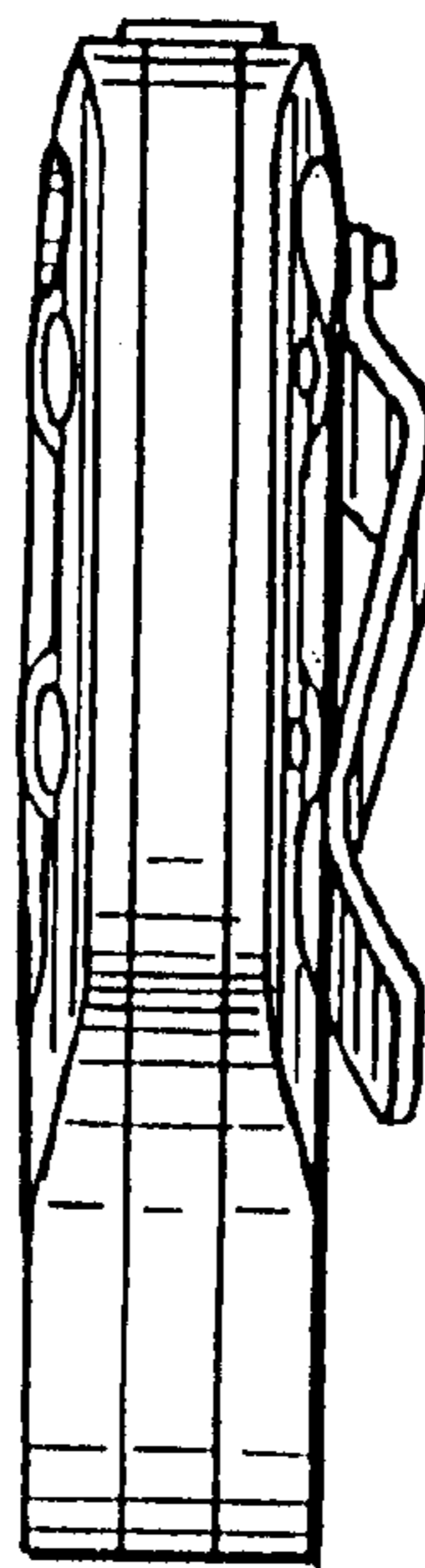


FIG. 14

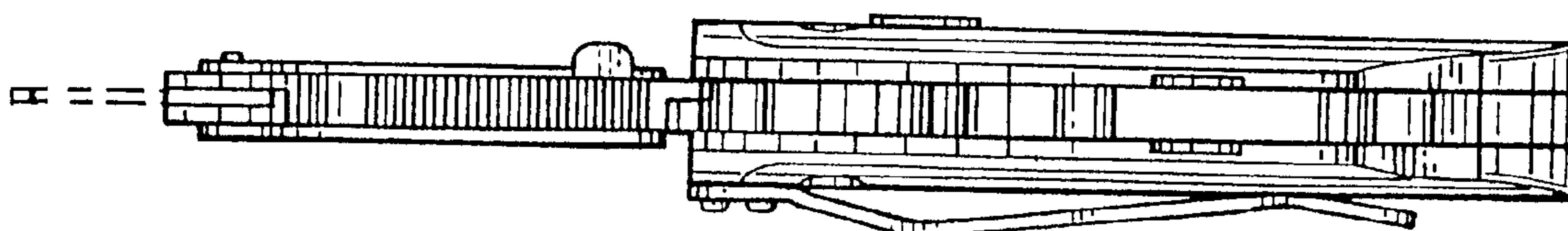


FIG.15

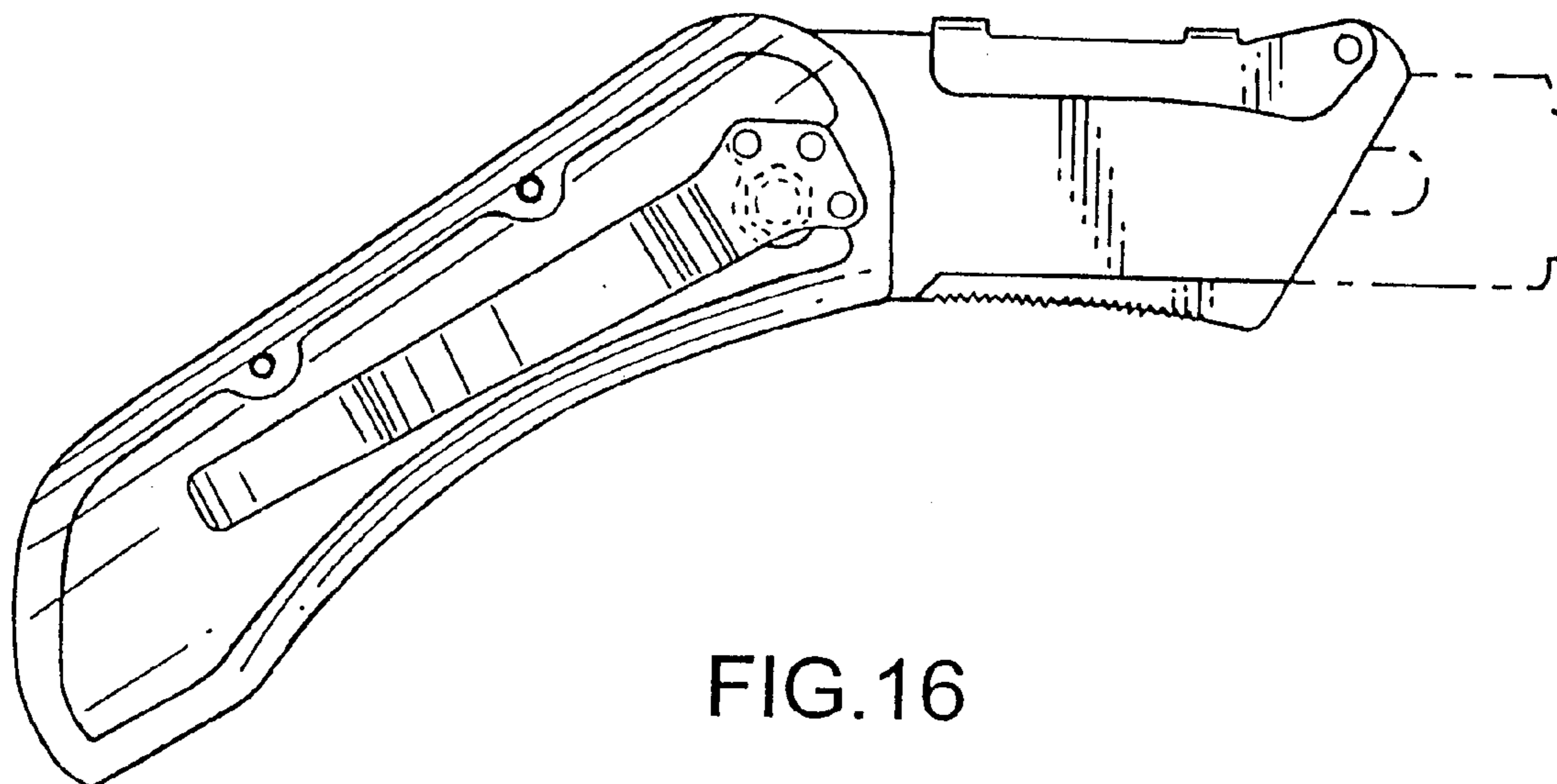


FIG.16

