



US00D522833S

(12) **United States Design Patent**
Kokawa

(10) **Patent No.:** **US D522,833 S**
(45) **Date of Patent:** **** Jun. 13, 2006**

(54) **PORTABLE ELECTRIC CIRCULAR SAW**

(75) Inventor: **Kiyozumi Kokawa**, Anjo (JP)

(73) Assignee: **Makita Corporation**, Anjo (JP)

(**) Term: **14 Years**

(21) Appl. No.: **29/240,132**

(22) Filed: **Oct. 11, 2005**

(30) **Foreign Application Priority Data**

Apr. 22, 2005 (JP) 2005-012015

(51) **LOC (8) Cl.** **08-03**

(52) **U.S. Cl.** **D8/66**

(58) **Field of Classification Search** D8/69,
D8/68, 67, 66, 64, 61, 70; 83/698.41, 747;
30/166.3, 374, 373, 375, 376, 391, 377, 390,
30/388, 389; 125/13.01; 144/218

See application file for complete search history.

(56) **References Cited**

U.S. PATENT DOCUMENTS

D363,656 S	*	10/1995	Gierke	D8/66
D411,425 S		6/1999	Sugimoto et al.		
D427,872 S	*	7/2000	Snider	D8/66
D427,874 S	*	7/2000	Hayakawa et al.	D8/66
D428,319 S	*	7/2000	Gallagher	D8/66
D433,300 S	*	11/2000	Buck	D8/66

D453,099 S	*	1/2002	Welsh	D8/66
D460,672 S	*	7/2002	Pretzell	D8/66
D466,385 S	*	12/2002	Shigo et al.	D8/66
D470,376 S	*	2/2003	Chunn et al.	D8/66
6,543,143 B1	*	4/2003	Moore et al.	30/391
D502,073 S	*	2/2005	Andriolo	D8/66
6,889,439 B1	*	5/2005	Koukal et al.	30/377
D507,949 S	*	8/2005	Chunn et al.	D8/66
2004/0045176 A1	*	3/2004	Koukal et al.	30/391

* cited by examiner

Primary Examiner—Cathron C. Brooks

Assistant Examiner—Austin Murphy

(74) *Attorney, Agent, or Firm*—Oliff & Berridge, PLC

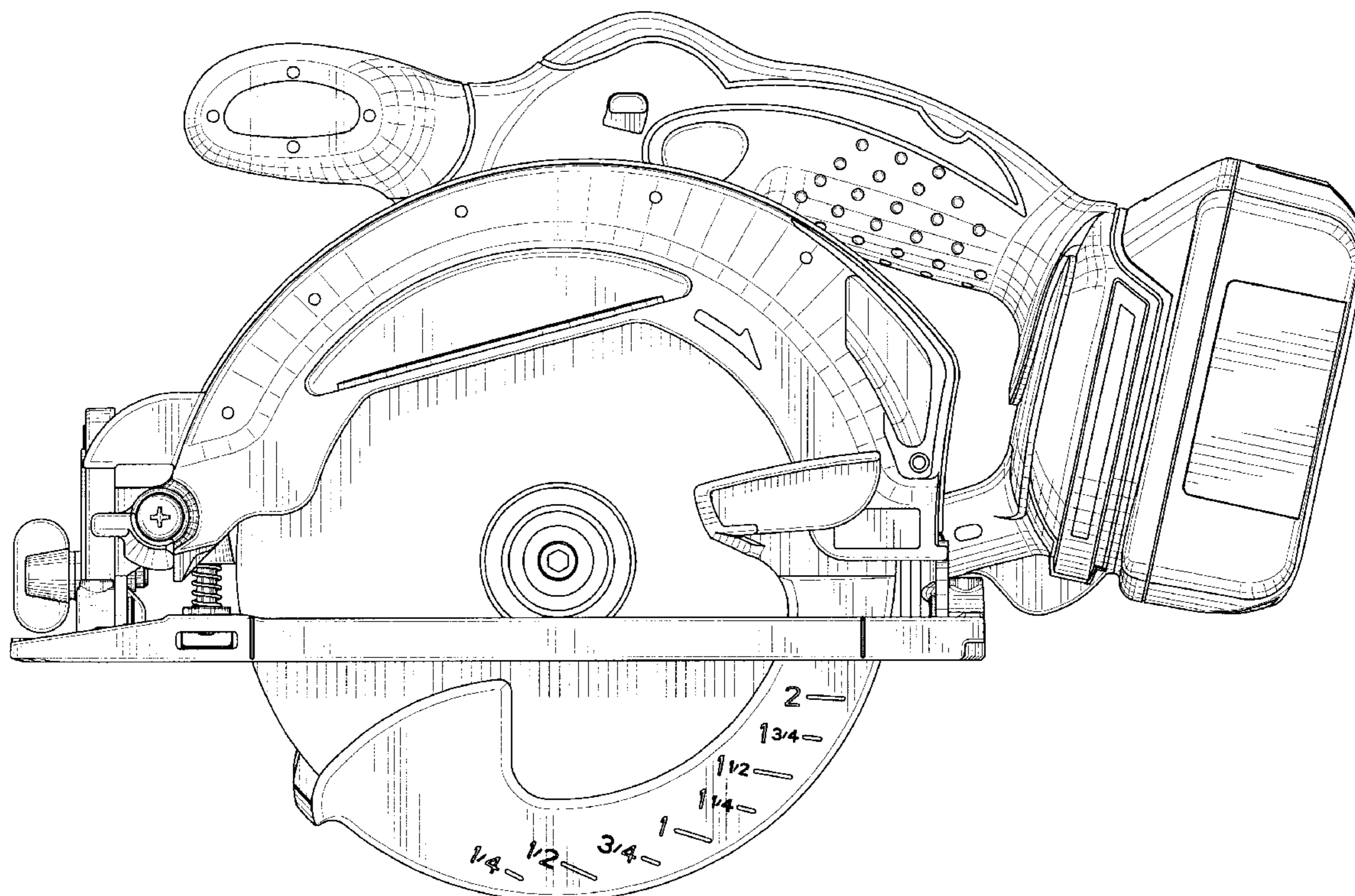
(57) **CLAIM**

The ornamental design for a portable electric circular saw, as shown and described.

DESCRIPTION

FIG. 1 is a perspective view of a portable electric circular saw showing our new design;
FIG. 2 is a front elevation view thereof;
FIG. 3 is a rear elevation view thereof;
FIG. 4 is a left side elevation view thereof;
FIG. 5 is a right side elevation view thereof;
FIG. 6 is a top plan view thereof; and,
FIG. 7 is a bottom plan view thereof.

1 Claim, 7 Drawing Sheets



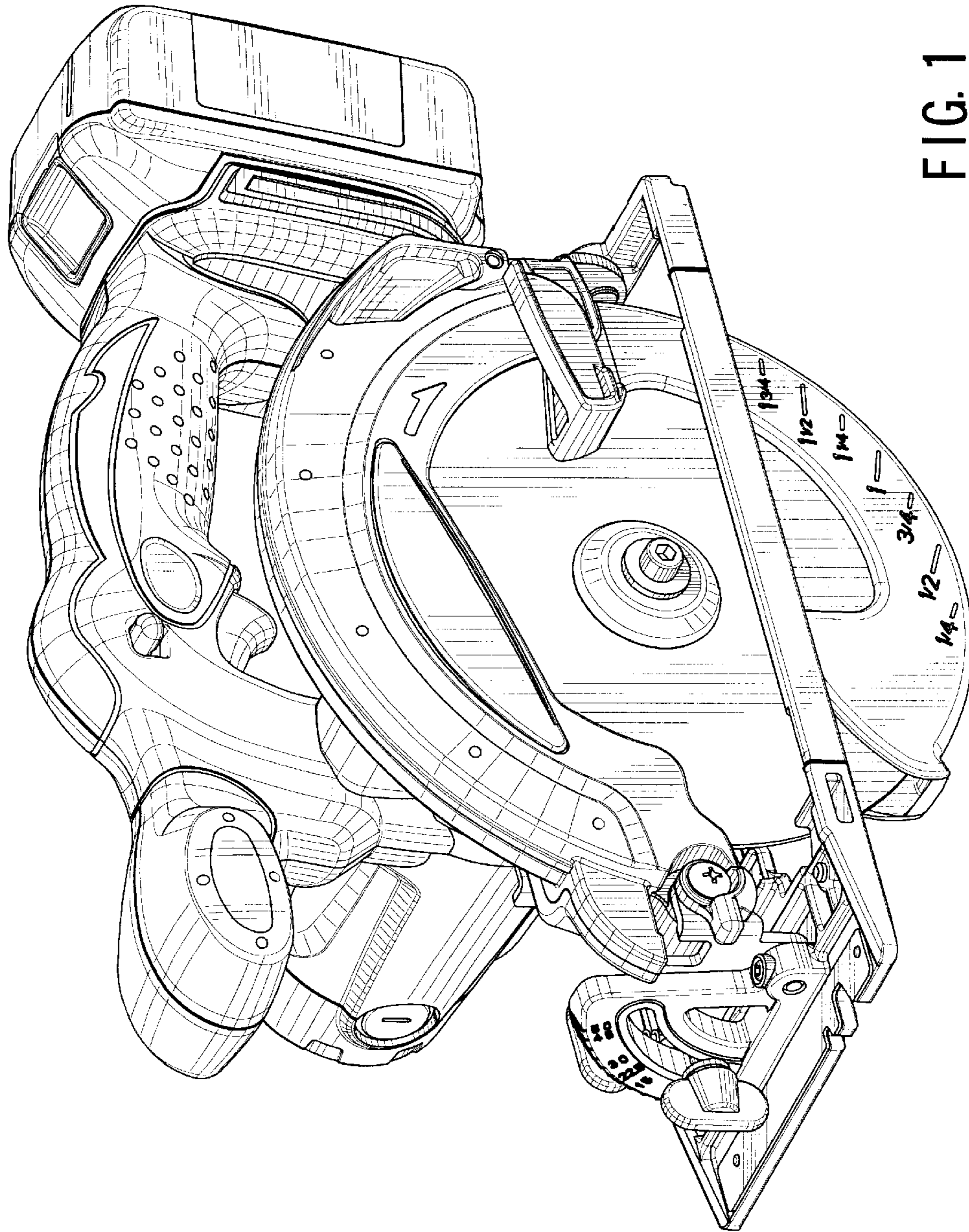


FIG. 1

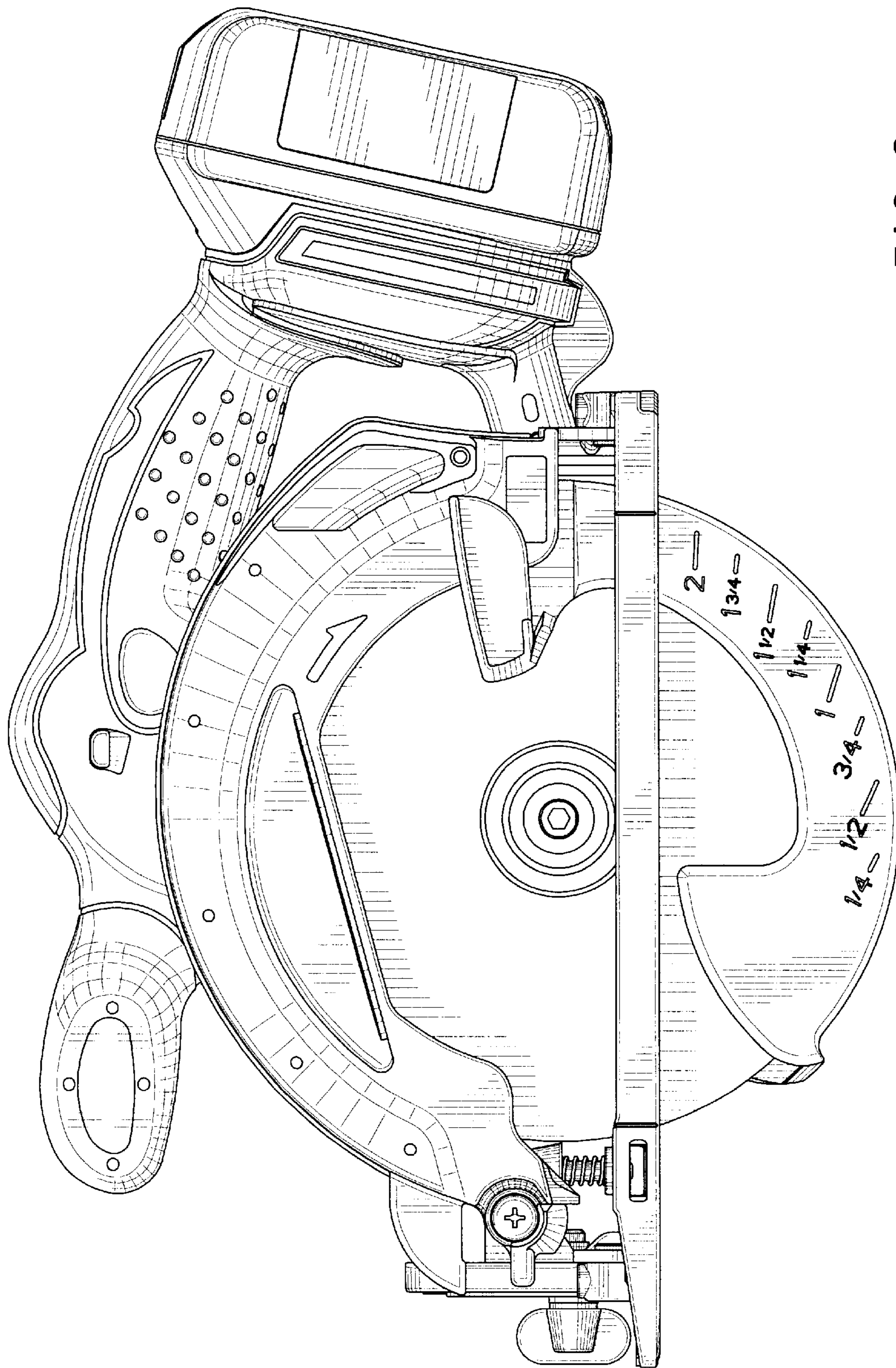


FIG. 2

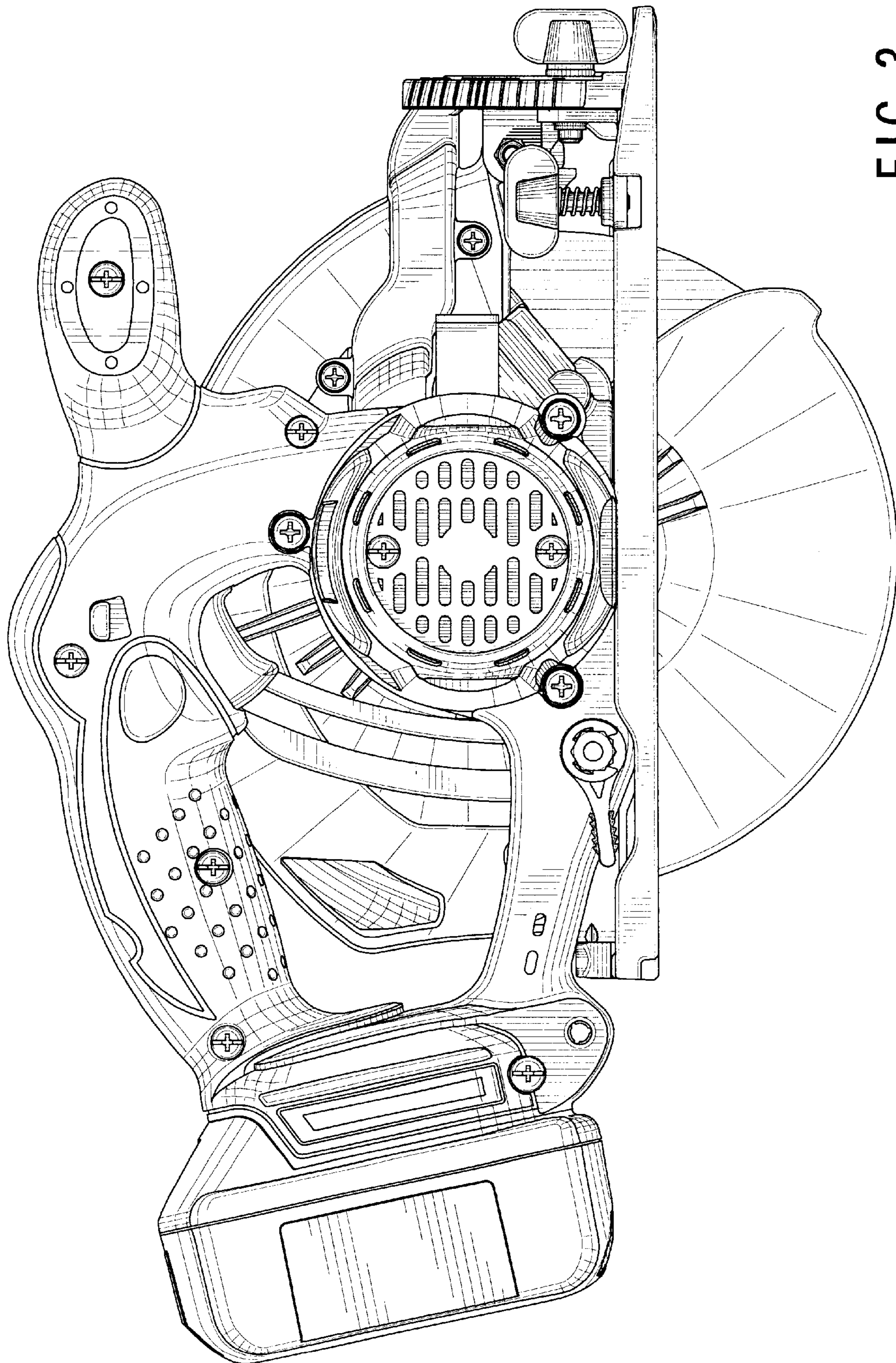


FIG. 3

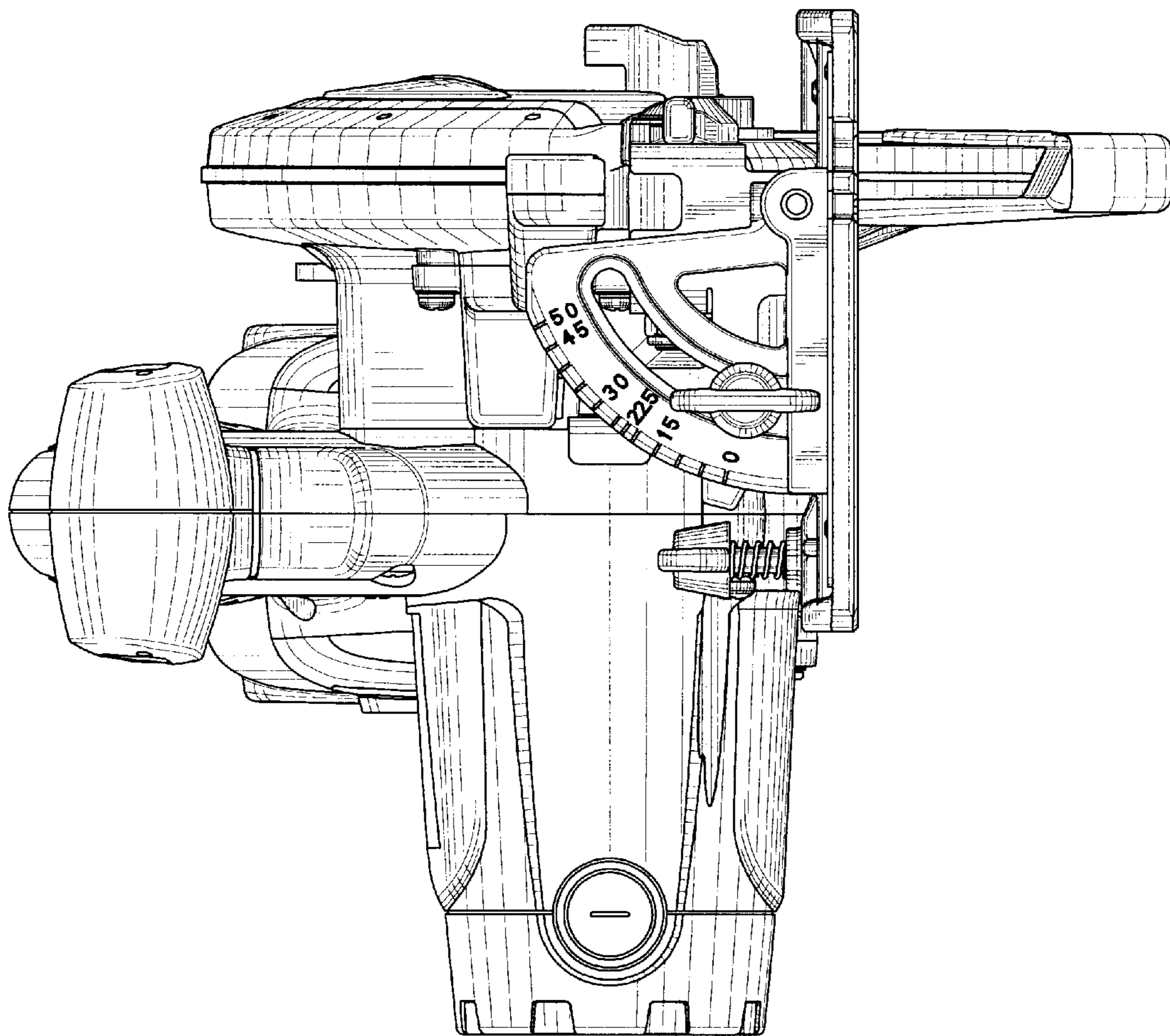


FIG. 4

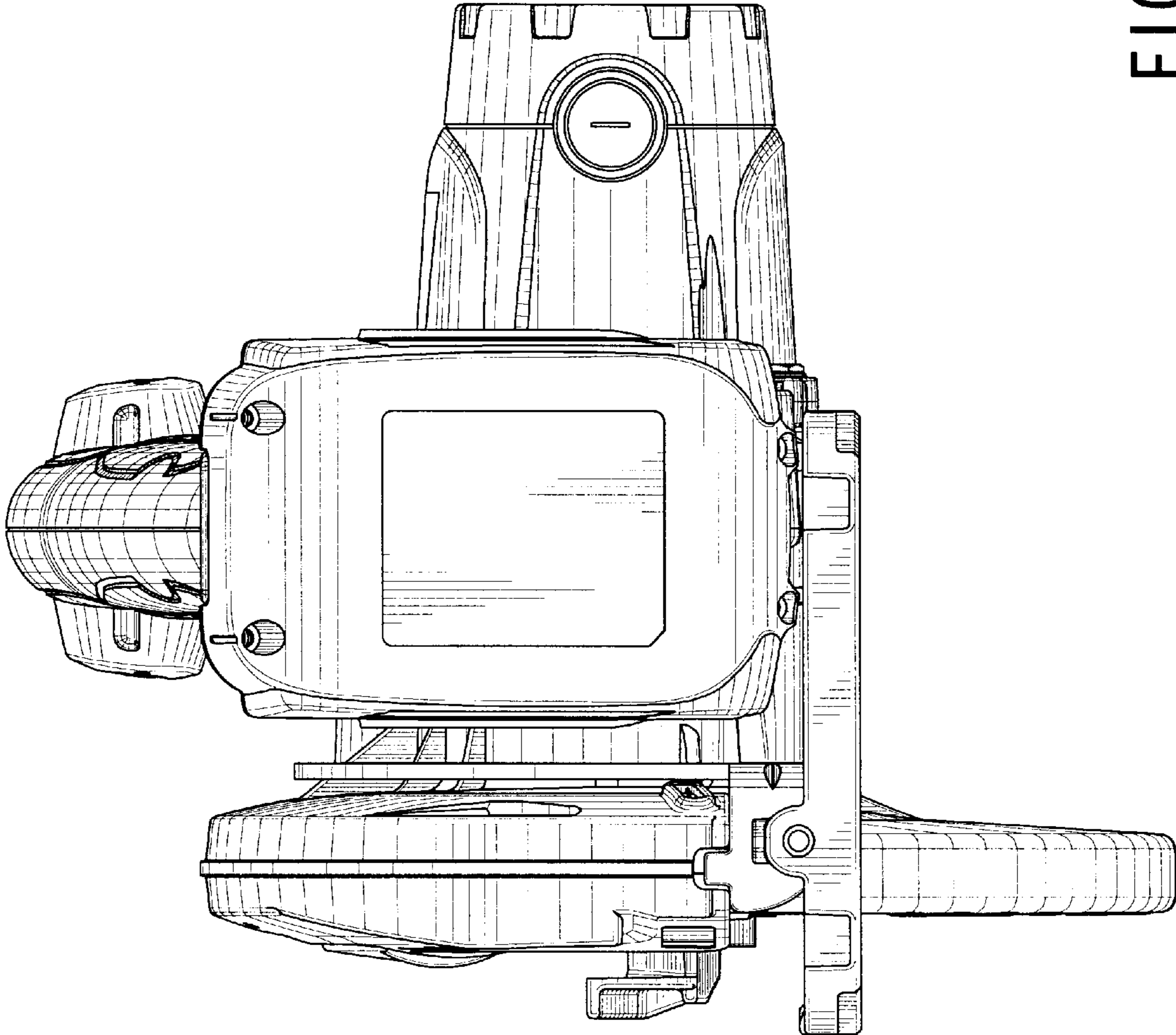


FIG. 5

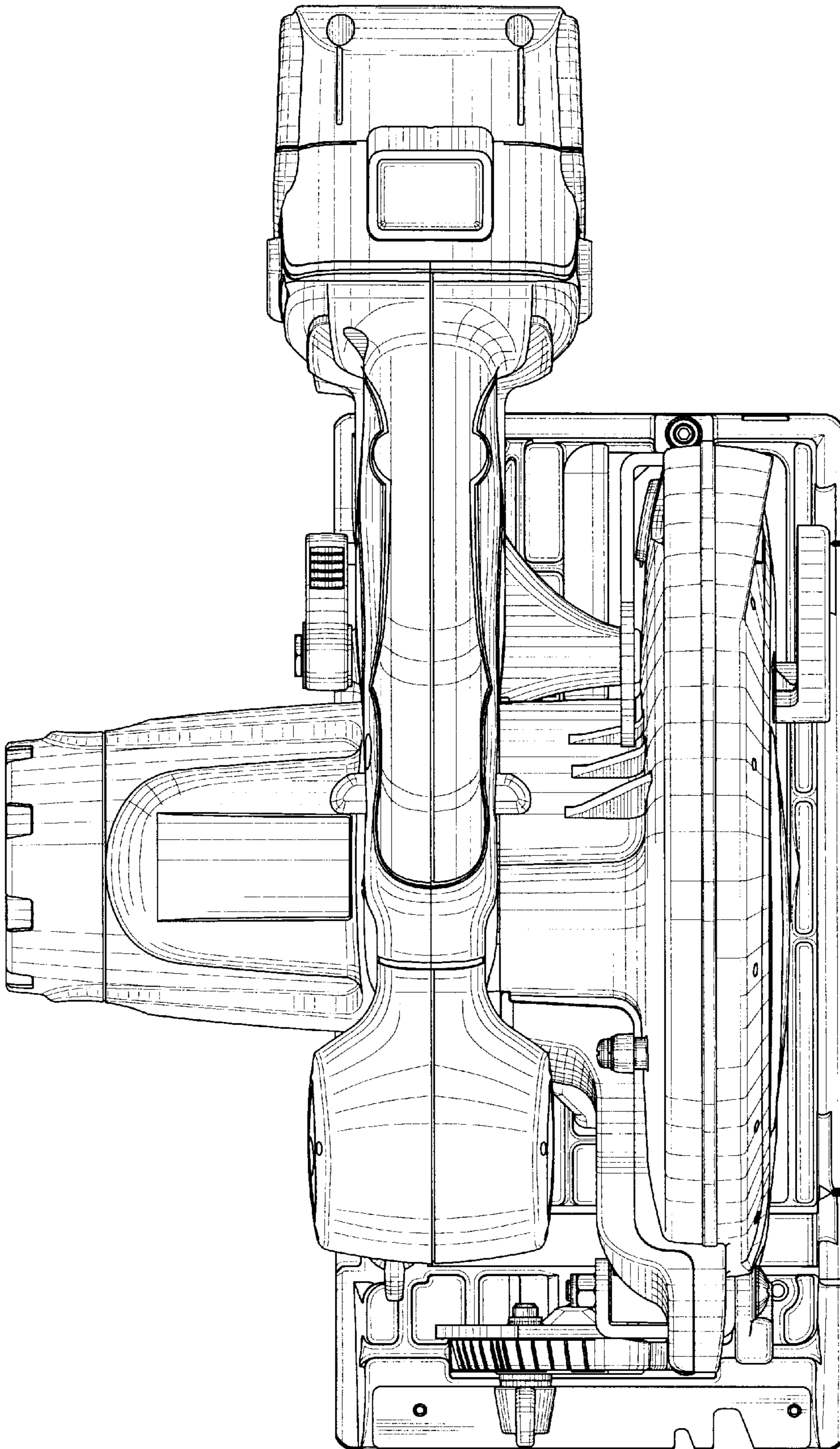


FIG. 6

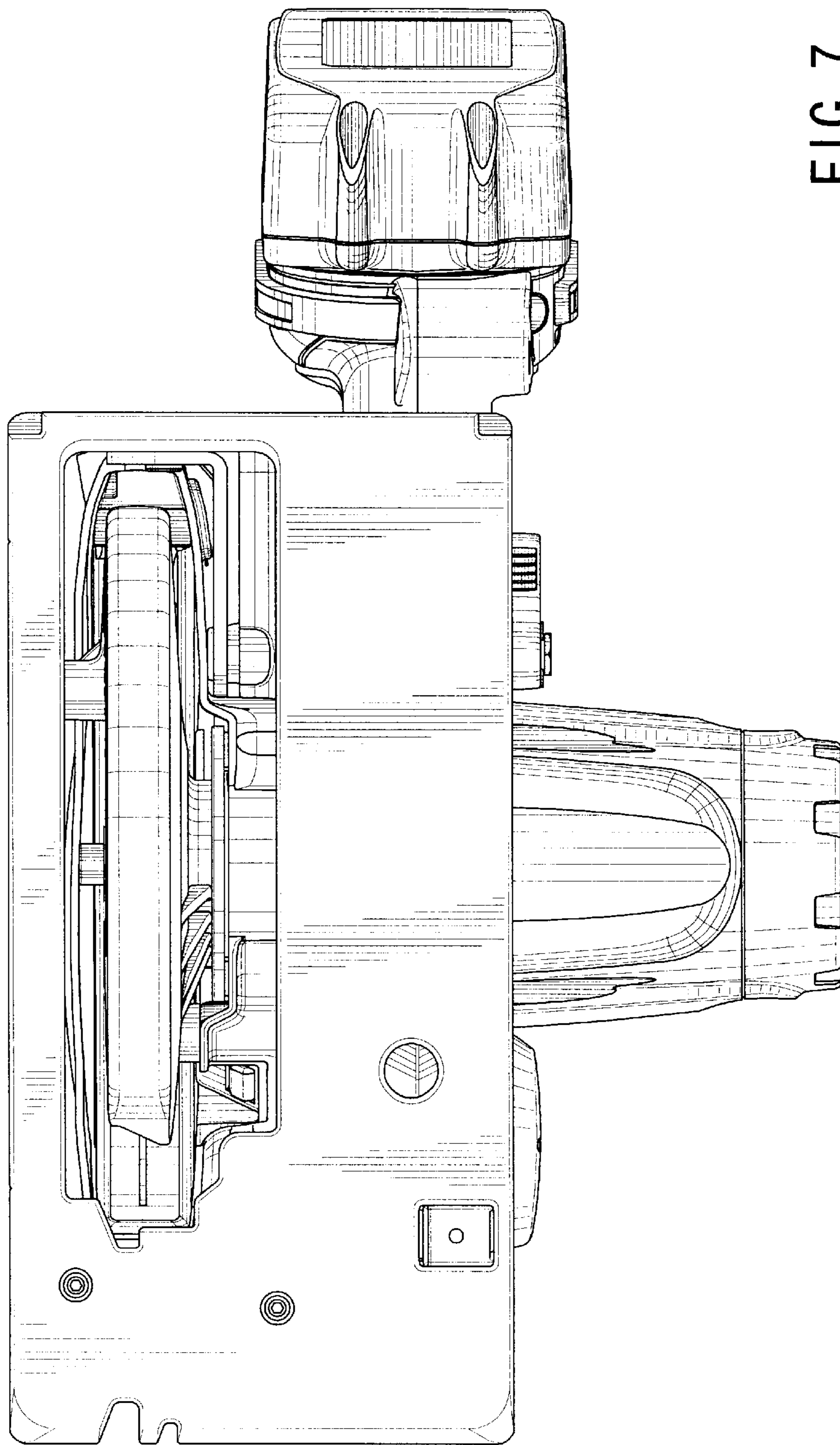


FIG. 7