



US00D522832S

(12) **United States Design Patent**
Hastie

(10) **Patent No.:** **US D522,832 S**
(45) **Date of Patent:** **** Jun. 13, 2006**

- (54) **MULTI-FUNCTION TILE SAW**
- (75) Inventor: **James Hastie**, Pocklington (GB)
- (73) Assignee: **GMCA PTY Ltd.** (AU)
- (**) Term: **14 Years**
- (21) Appl. No.: **29/236,423**
- (22) Filed: **Aug. 16, 2005**
- (51) **LOC (8) Cl.** **08-03**
- (52) **U.S. Cl.** **D8/66**
- (58) **Field of Classification Search** D8/69,
D8/68, 67, 66, 64, 61, 70; 83/698.41, 747;
30/166.3, 374, 373, 375, 376, 391, 377, 390,
30/388, 389; 125/13.01, 14; 144/218; 451/213
See application file for complete search history.

- 5,930,903 A * 8/1999 Hurn et al. 30/391
- 6,016,732 A * 1/2000 Brault et al. 83/471.3
- D460,672 S * 7/2002 Pretzell D8/66
- 6,484,410 B1 * 11/2002 Meastas 30/373
- D475,265 S * 6/2003 Hatch et al. D8/66
- 6,591,826 B1 * 7/2003 Donnerdal 125/13.01
- D504,297 S * 4/2005 Tillman et al. D8/66

* cited by examiner

Primary Examiner—Cathron C. Brooks
Assistant Examiner—Austin Murphy
(74) *Attorney, Agent, or Firm*—McKee, Voorhees & Sease, P.L.C.

(57) **CLAIM**

I claim the ornamental design for a multi-function tile saw, substantially as shown.

DESCRIPTION

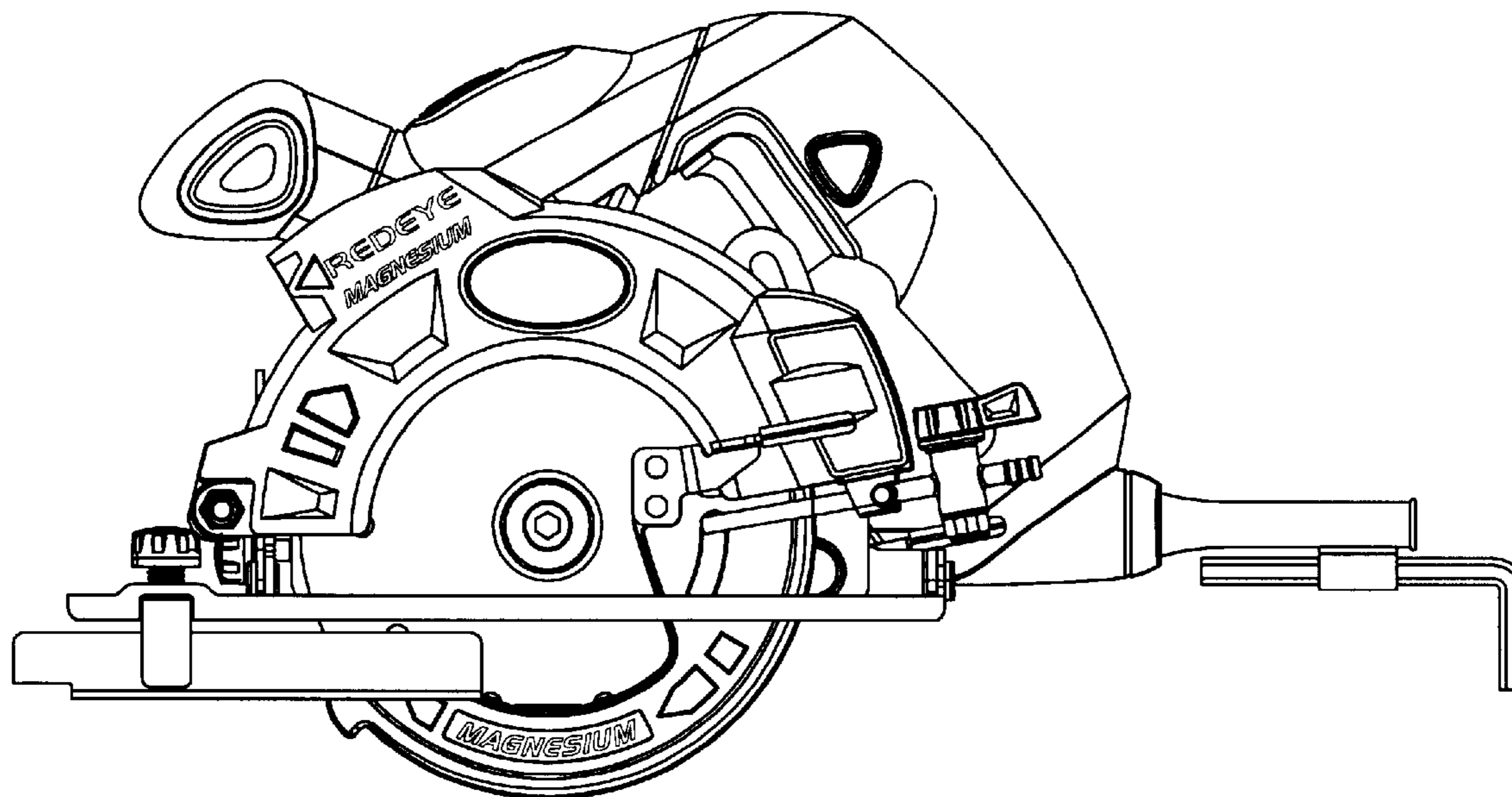
FIG. 1 is a perspective view of the multi-function tile saw. FIG. 2 is a side view of the multi-function tile saw. FIG. 3 is an opposite side view of the multi-function tile saw. FIG. 4 is a top view of the multi-function tile saw. FIG. 5 is a bottom view of the multi-function tile saw. FIG. 6 is a rear view of the multi-function tile saw; and, FIG. 7 is a front view of the multi-function tile saw.

1 Claim, 4 Drawing Sheets

(56) **References Cited**

U.S. PATENT DOCUMENTS

- 4,428,159 A * 1/1984 Sigetich et al. 451/213
- 4,817,581 A * 4/1989 Trentadue 125/14
- 4,870,758 A * 10/1989 Fushiya 30/388
- 4,876,797 A * 10/1989 Zapata 30/388
- D315,854 S * 4/1991 Kawakami et al. D8/66
- 5,850,697 A * 12/1998 Welch 30/391



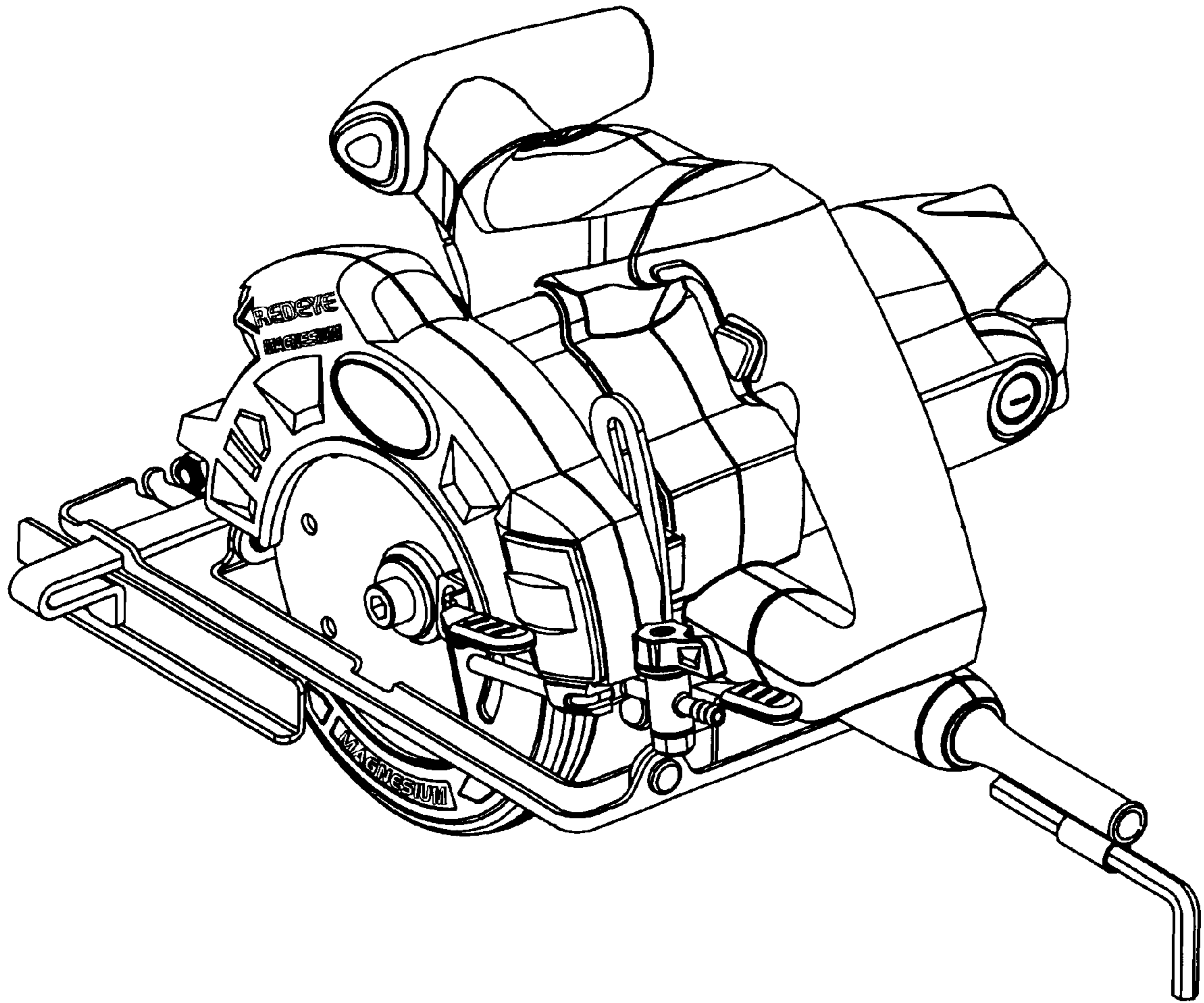


Fig. 1

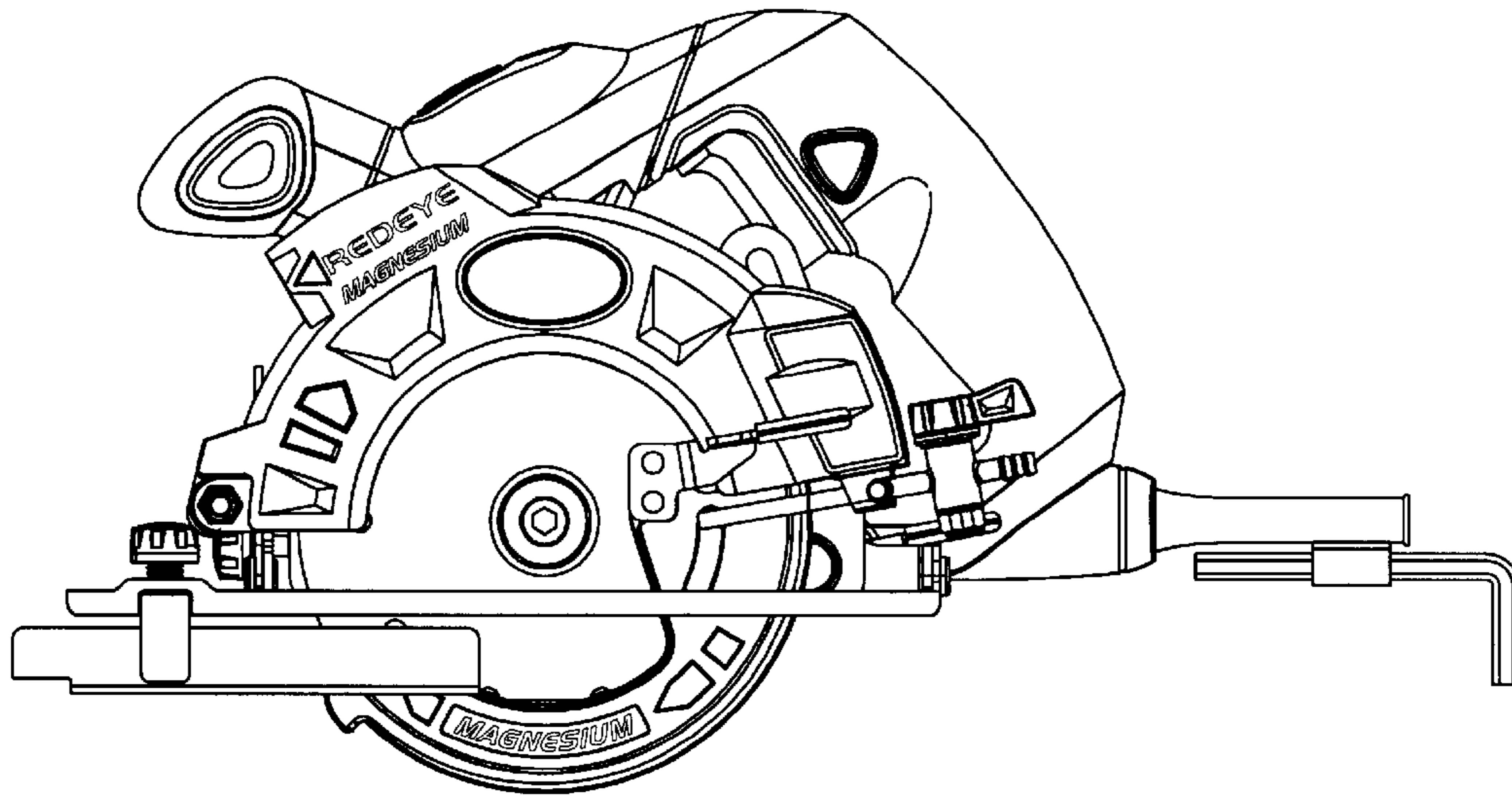


Fig. 2

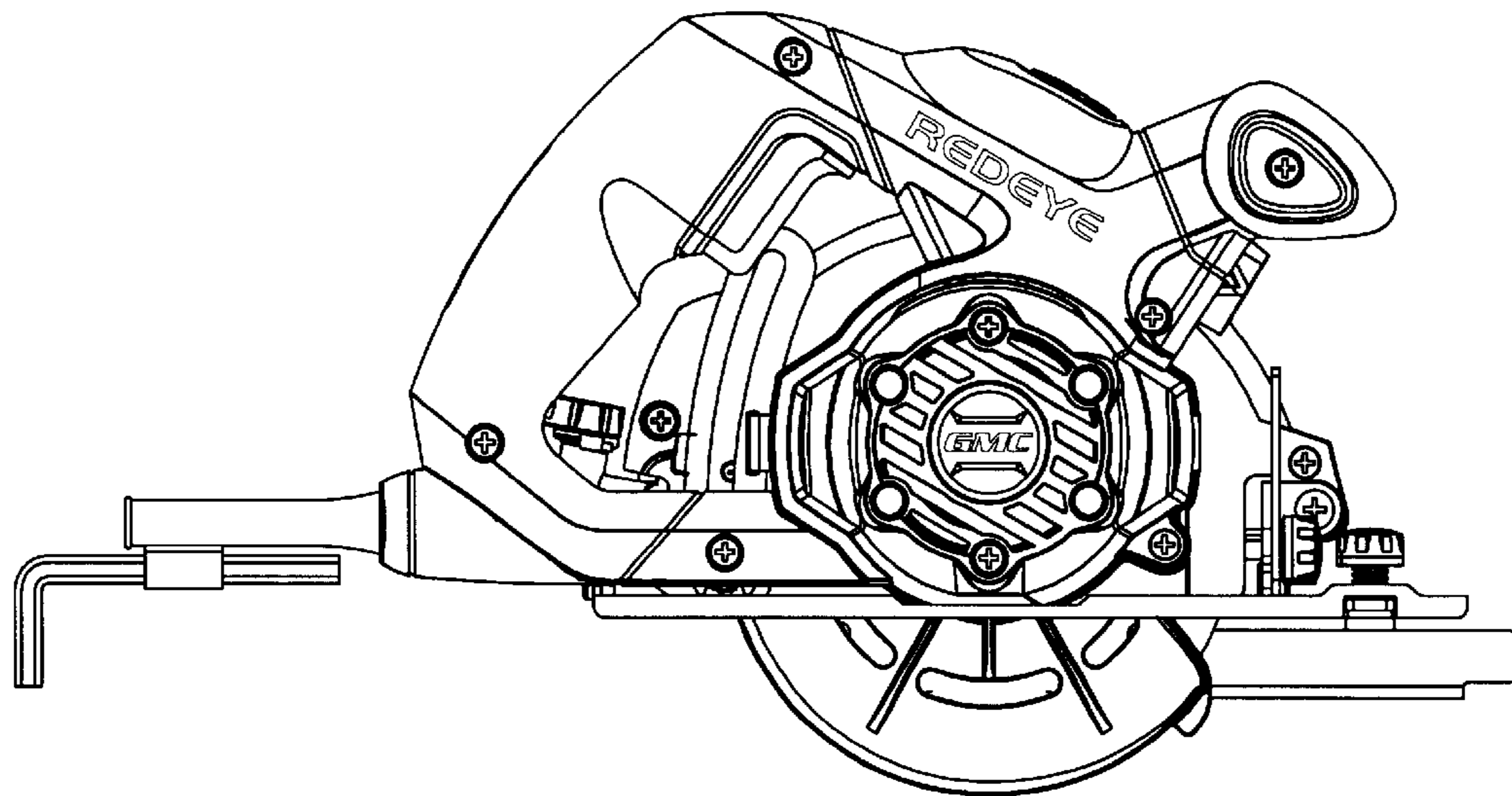


Fig. 3

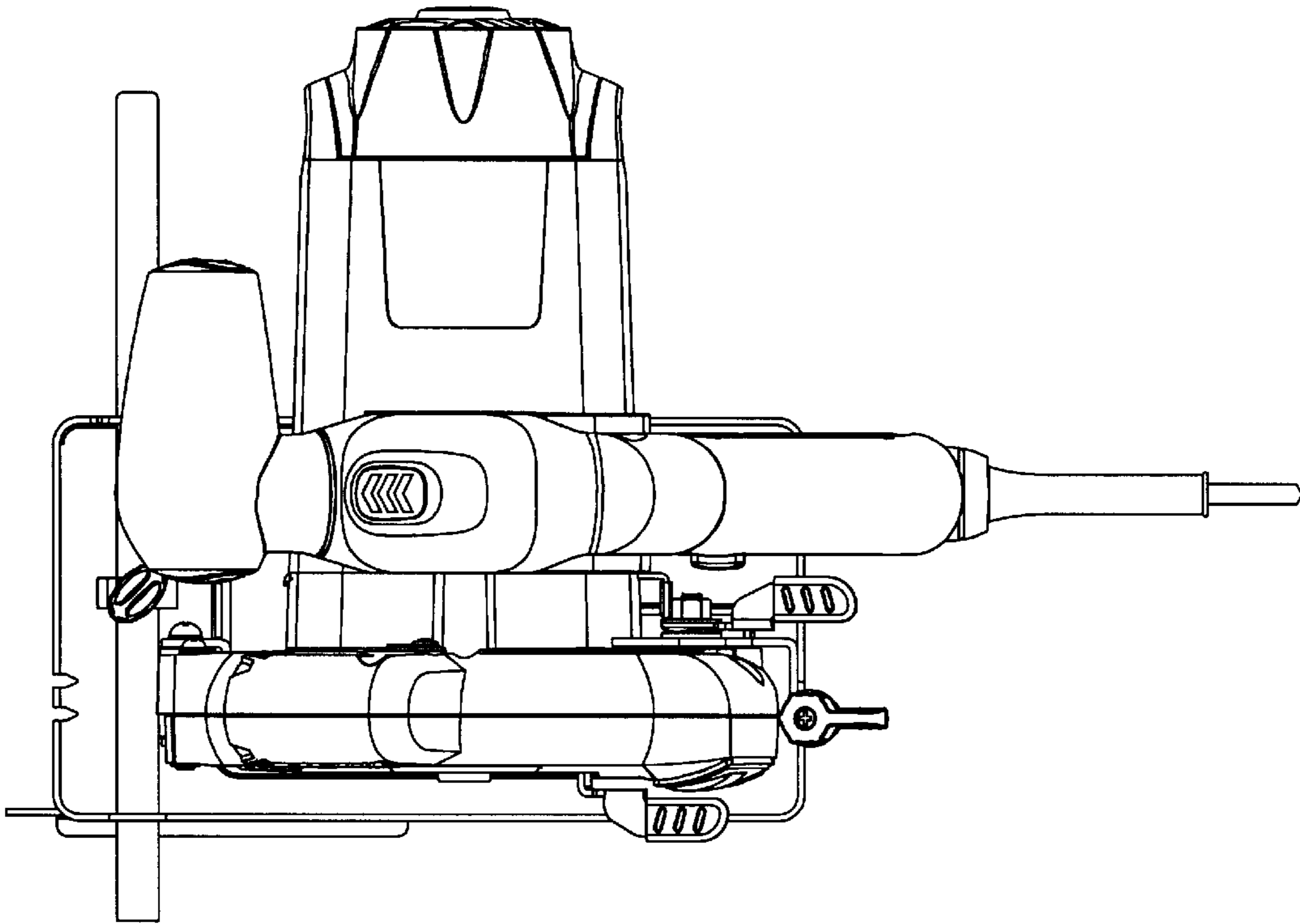


Fig. 4

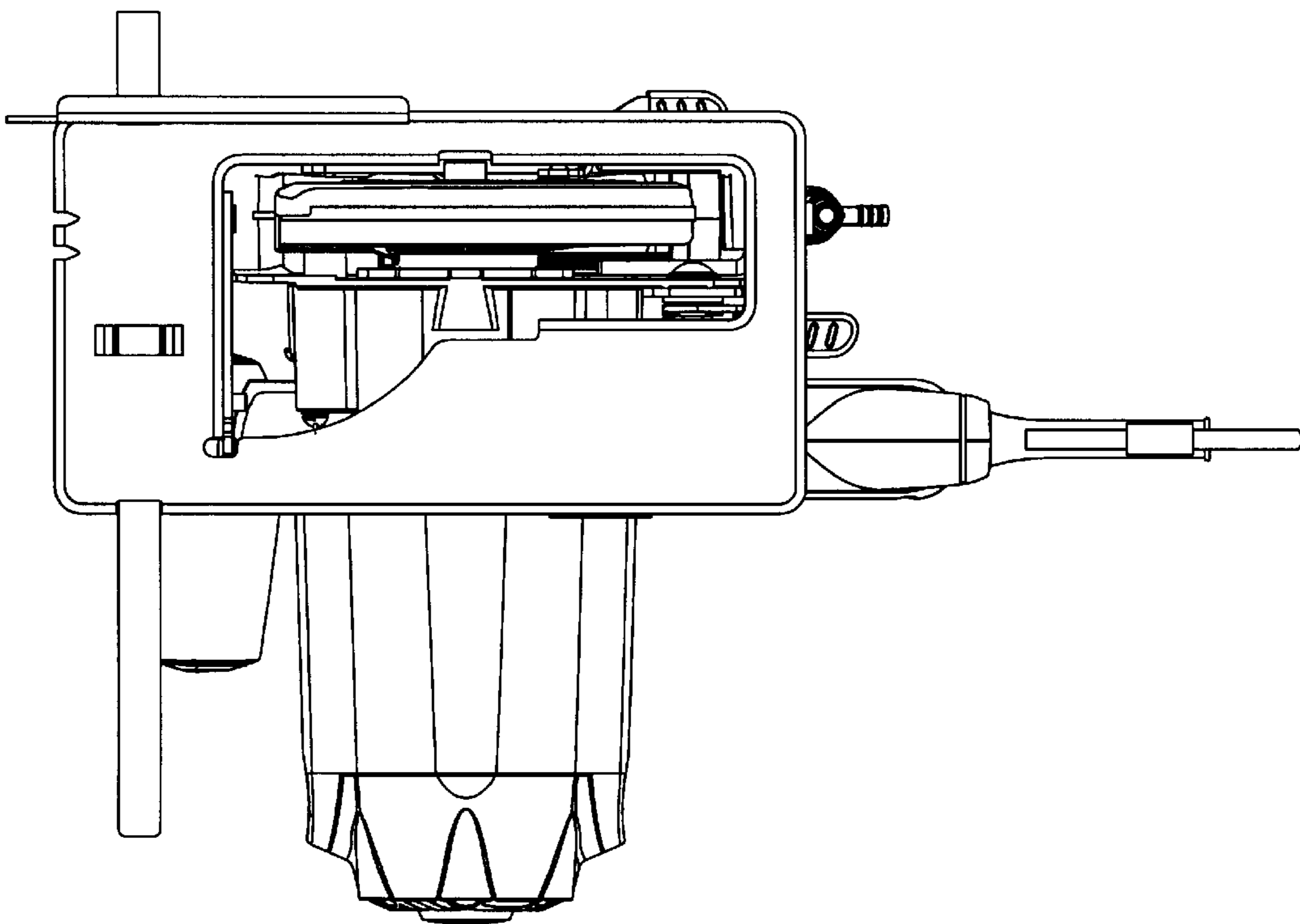


Fig. 5

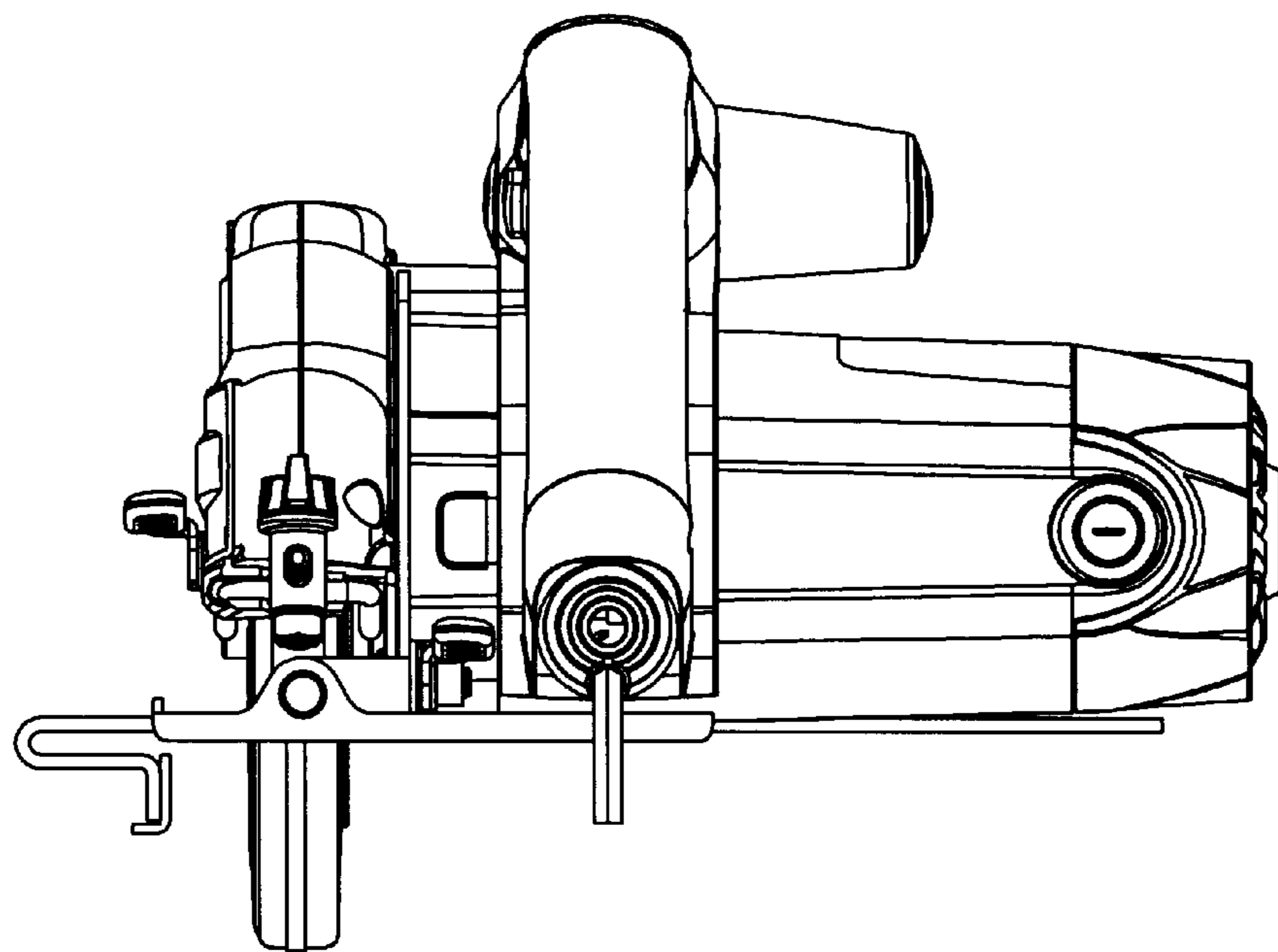


Fig. 6

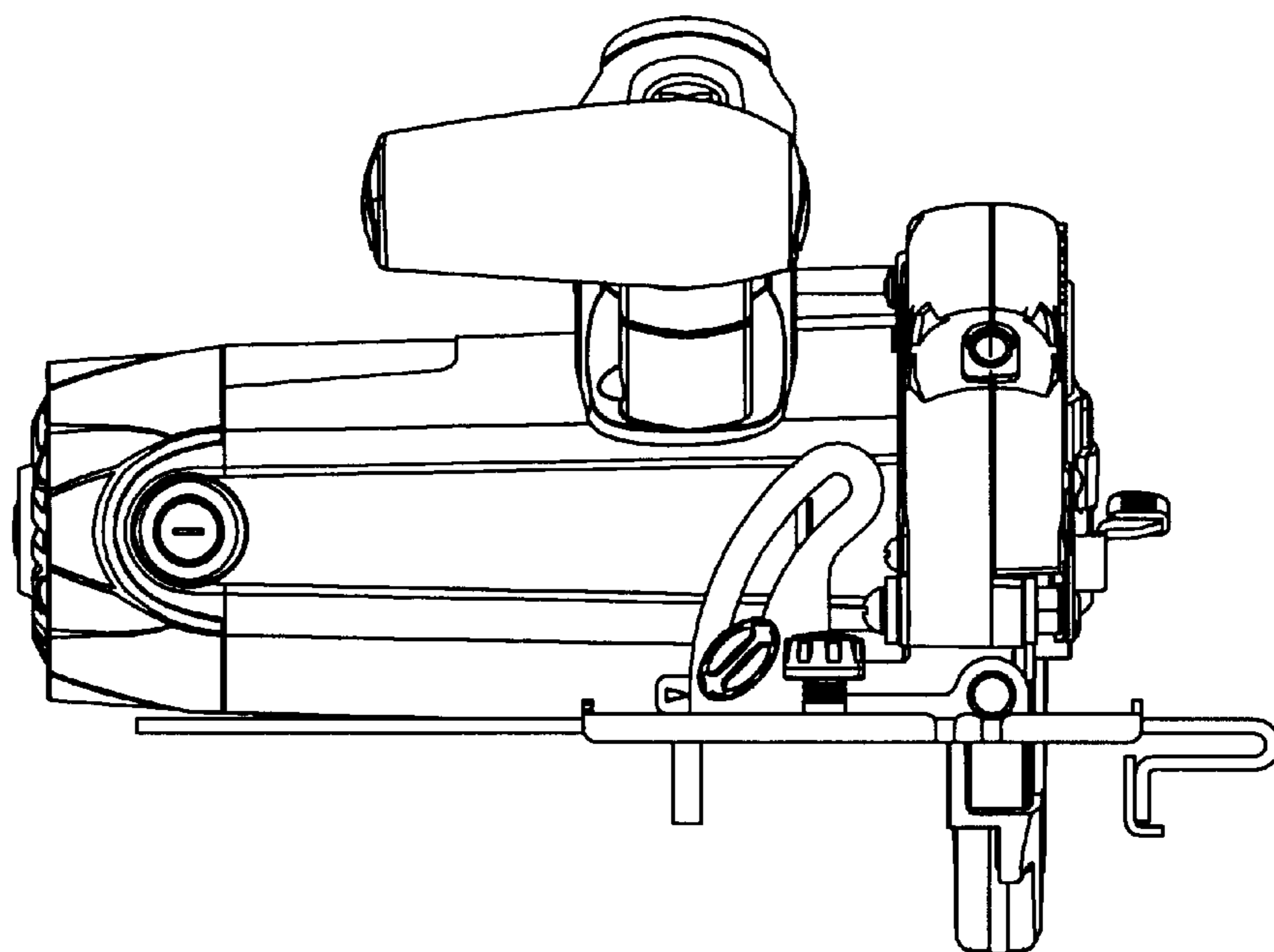


Fig. 7