



US00D522831S

(12) **United States Design Patent**  
**Andriolo**

(10) **Patent No.:** **US D522,831 S**

(45) **Date of Patent:** **\*\* Jun. 13, 2006**

(54) **CIRCULAR SAW**

(75) Inventor: **Paolo Andriolo**, Vicenza (IT)

(73) Assignee: **Positec Power Tools (Suzhou) Co., Ltd.**, Jiang Province (CN)

(\*\*) Term: **14 Years**

(21) Appl. No.: **29/235,260**

(22) Filed: **Jul. 29, 2005**

(30) **Foreign Application Priority Data**

Jan. 29, 2005 (CN) ..... 200530080469

(51) **LOC (8) Cl.** ..... **08-03**

(52) **U.S. Cl.** ..... **D8/66**

(58) **Field of Classification Search** ..... D8/69,  
D8/68, 67, 66, 64, 61, 70; 83/698.41, 747;  
30/166.3, 374, 373, 375, 376, 391, 377, 390,  
30/388, 389; 125/13.01; 144/218

See application file for complete search history.

(56) **References Cited**

**U.S. PATENT DOCUMENTS**

4,982,501 A \* 1/1991 Sauerwein et al. .... 30/376  
5,010,651 A \* 4/1991 Techter et al. .... 303/76  
D326,399 S \* 5/1992 Fushiya et al. .... D8/66  
D332,735 S \* 1/1993 Fushiya et al. .... D8/66  
5,381,602 A \* 1/1995 Matzo et al. .... 30/377

D363,656 S \* 10/1995 Gierke ..... D8/66  
D378,488 S \* 3/1997 Ito et al. .... D8/66  
D390,081 S \* 2/1998 Price et al. .... D8/66  
D427,874 S \* 7/2000 Hayakawa et al. .... D8/66  
D433,300 S \* 11/2000 Buck ..... D8/66  
D453,099 S \* 1/2002 Welsh ..... D8/66  
D466,385 S \* 12/2002 Shigo et al. .... D8/66  
D474,952 S \* 5/2003 Andriolo ..... D8/66  
D488,977 S \* 4/2004 Evans ..... D8/66  
D500,438 S \* 1/2005 Andriolo ..... D8/66

\* cited by examiner

*Primary Examiner*—Cathron C. Brooks

*Assistant Examiner*—Austin Murphy

(74) *Attorney, Agent, or Firm*—Marshall, Gerstein & Borun LLP

(57) **CLAIM**

The ornamental design for a circular saw, as shown.

**DESCRIPTION**

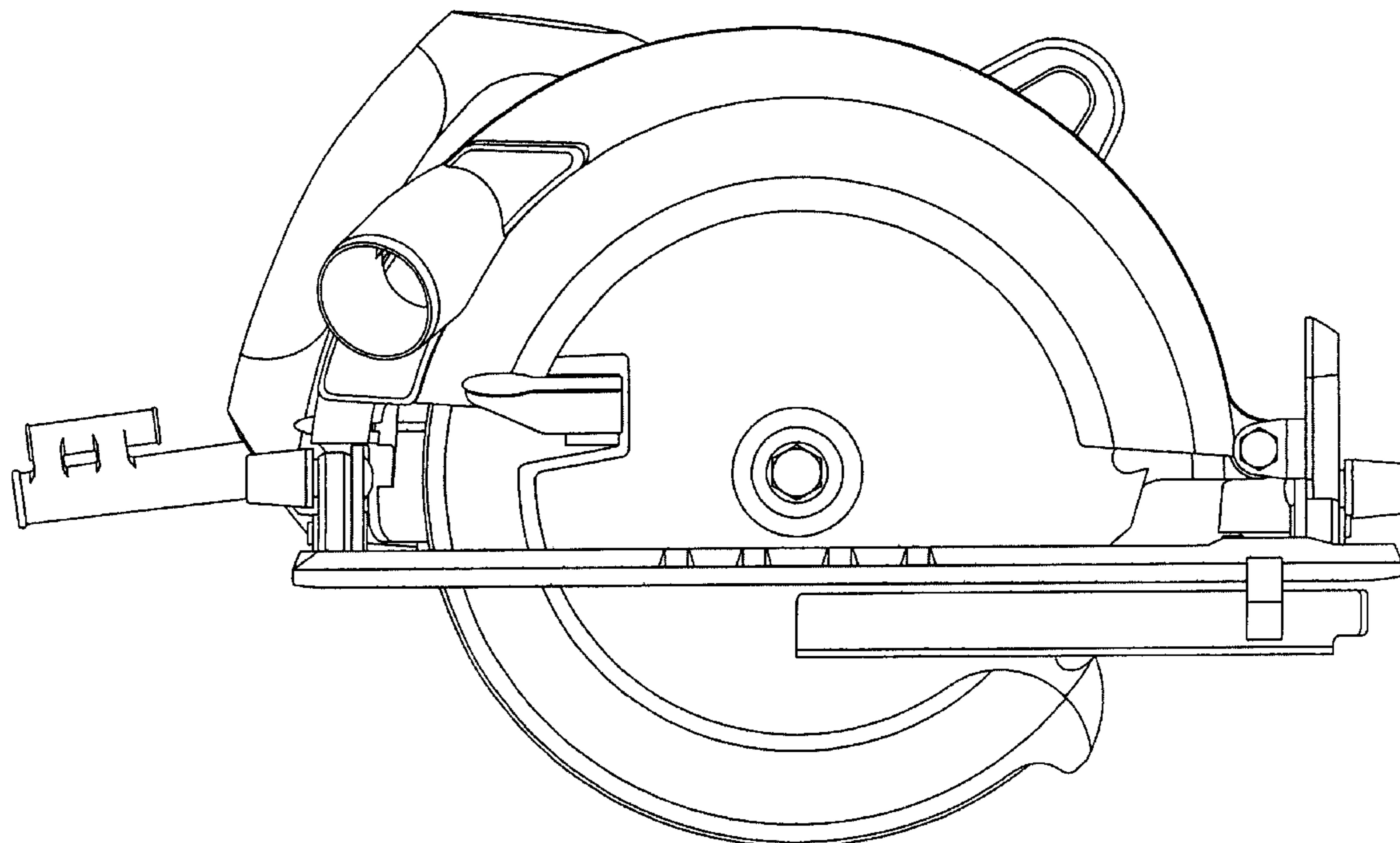
FIG. 1 is a perspective view of a circular saw in accordance the present invention.

FIGS. 2 and 3 are opposite elevational side views of the circular saw seen in FIG. 1.

FIGS. 4 and 5 are elevational front and back views of the circular saw; and,

FIGS. 6 and 7 are top and bottom plan views of the circular saw.

**1 Claim, 7 Drawing Sheets**



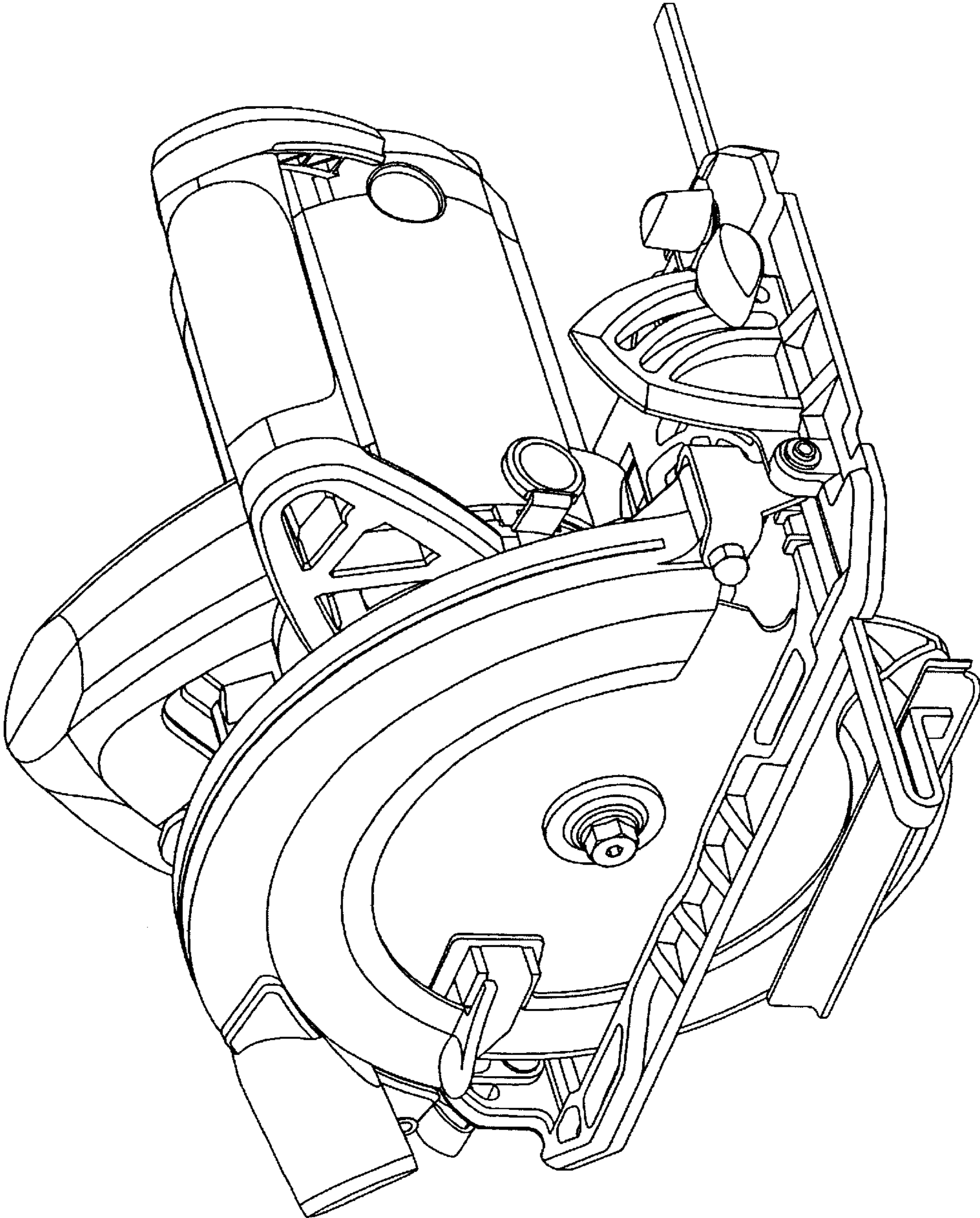


FIG. 1

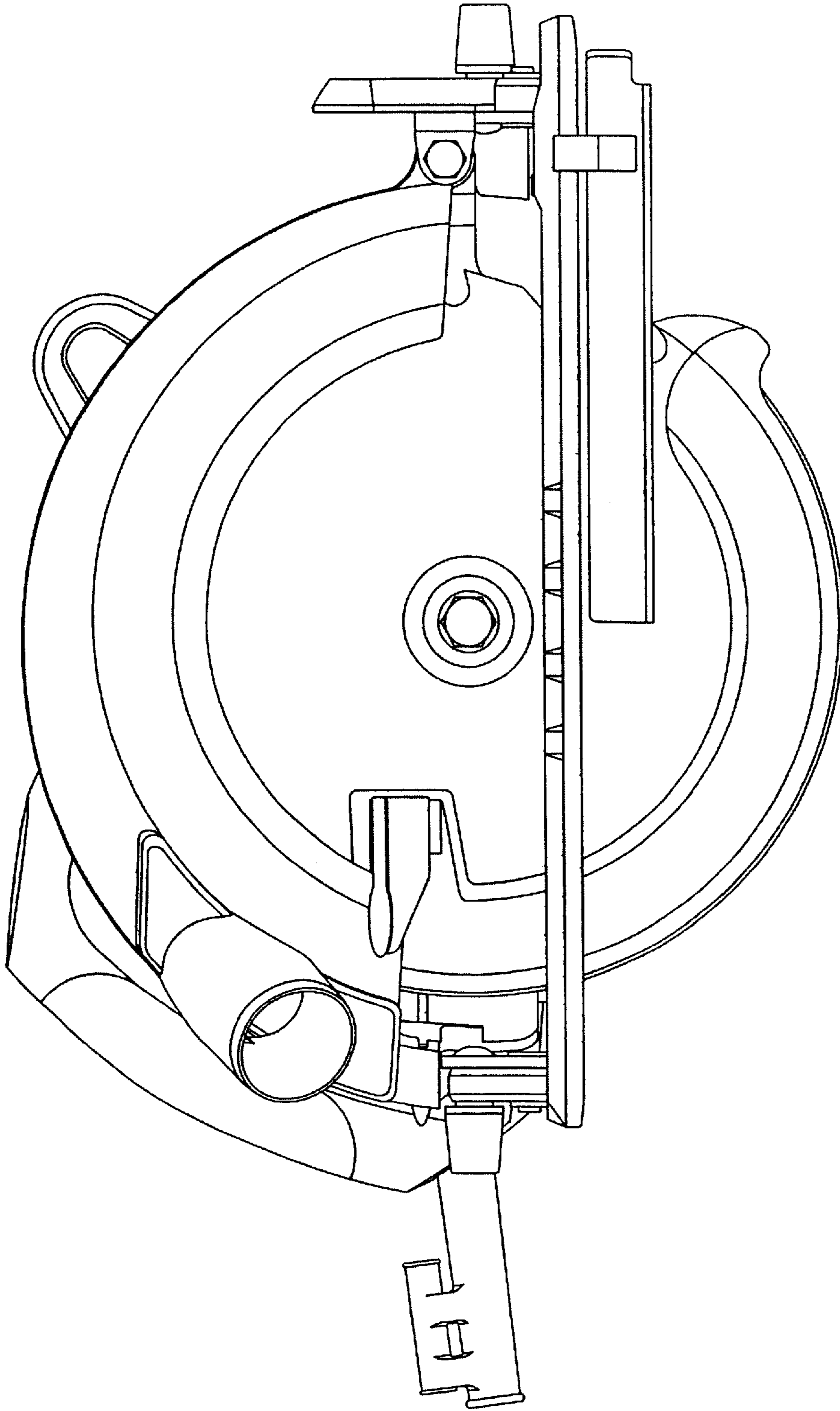


FIG. 2

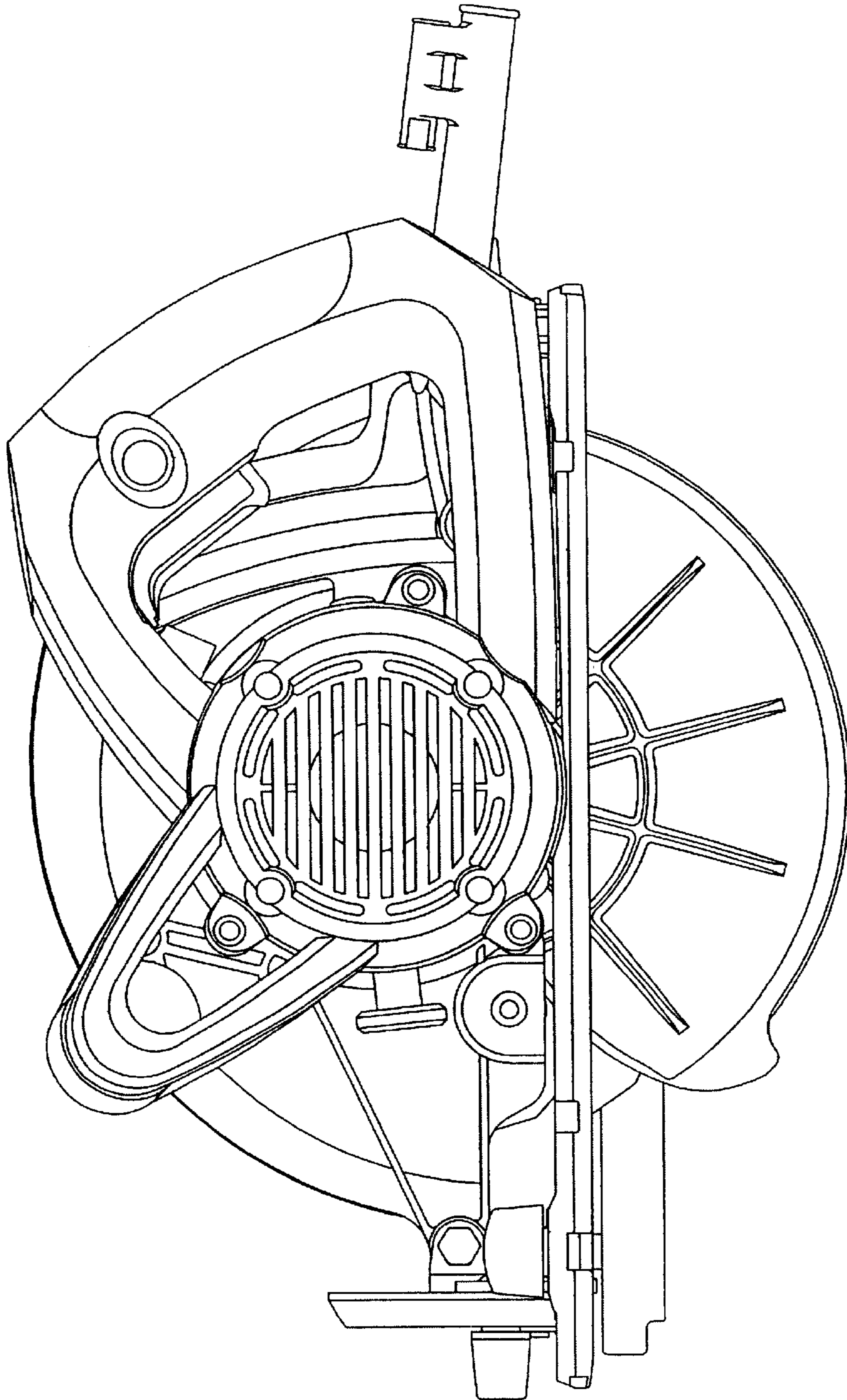


FIG. 3

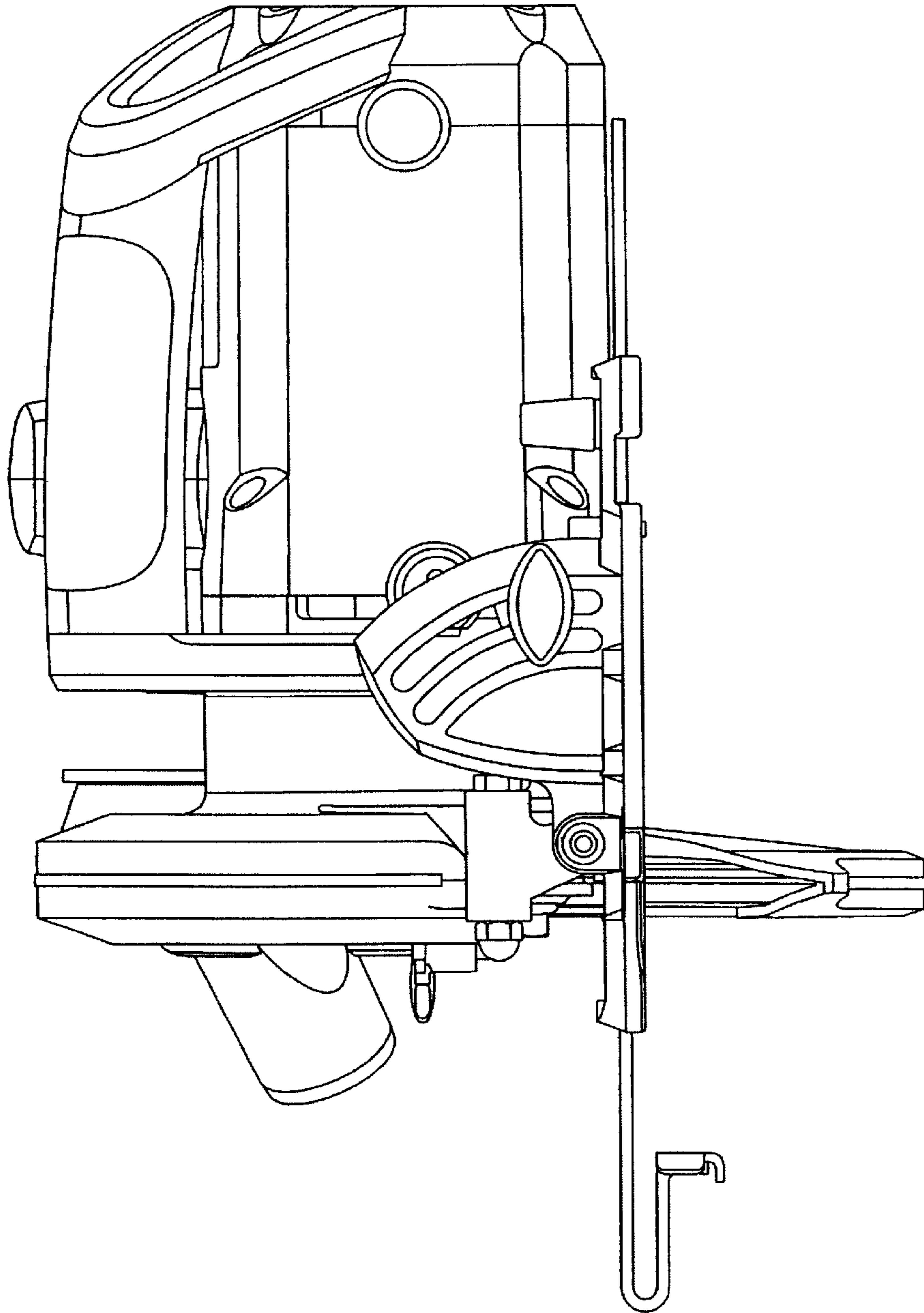


FIG. 4

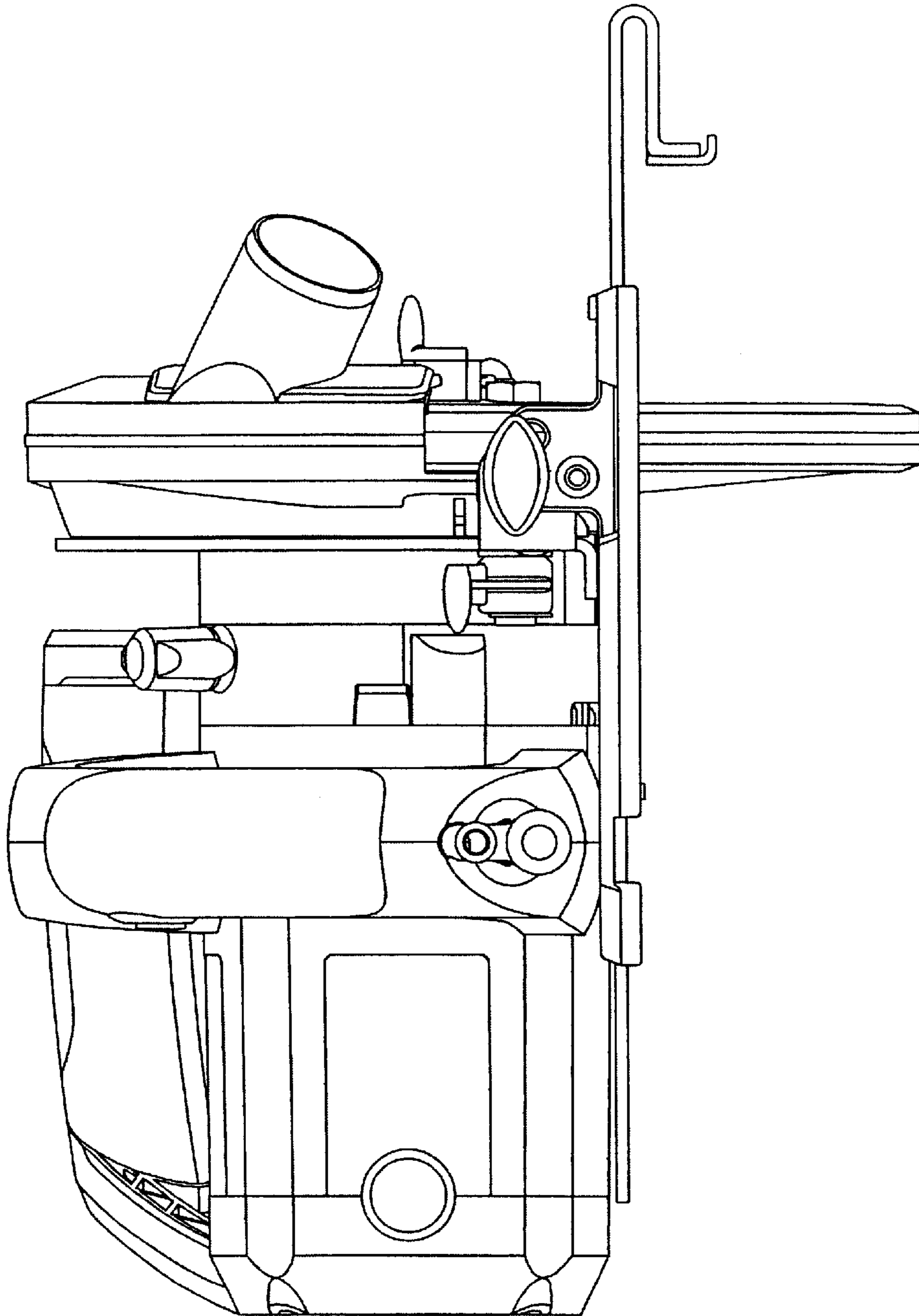


FIG. 5

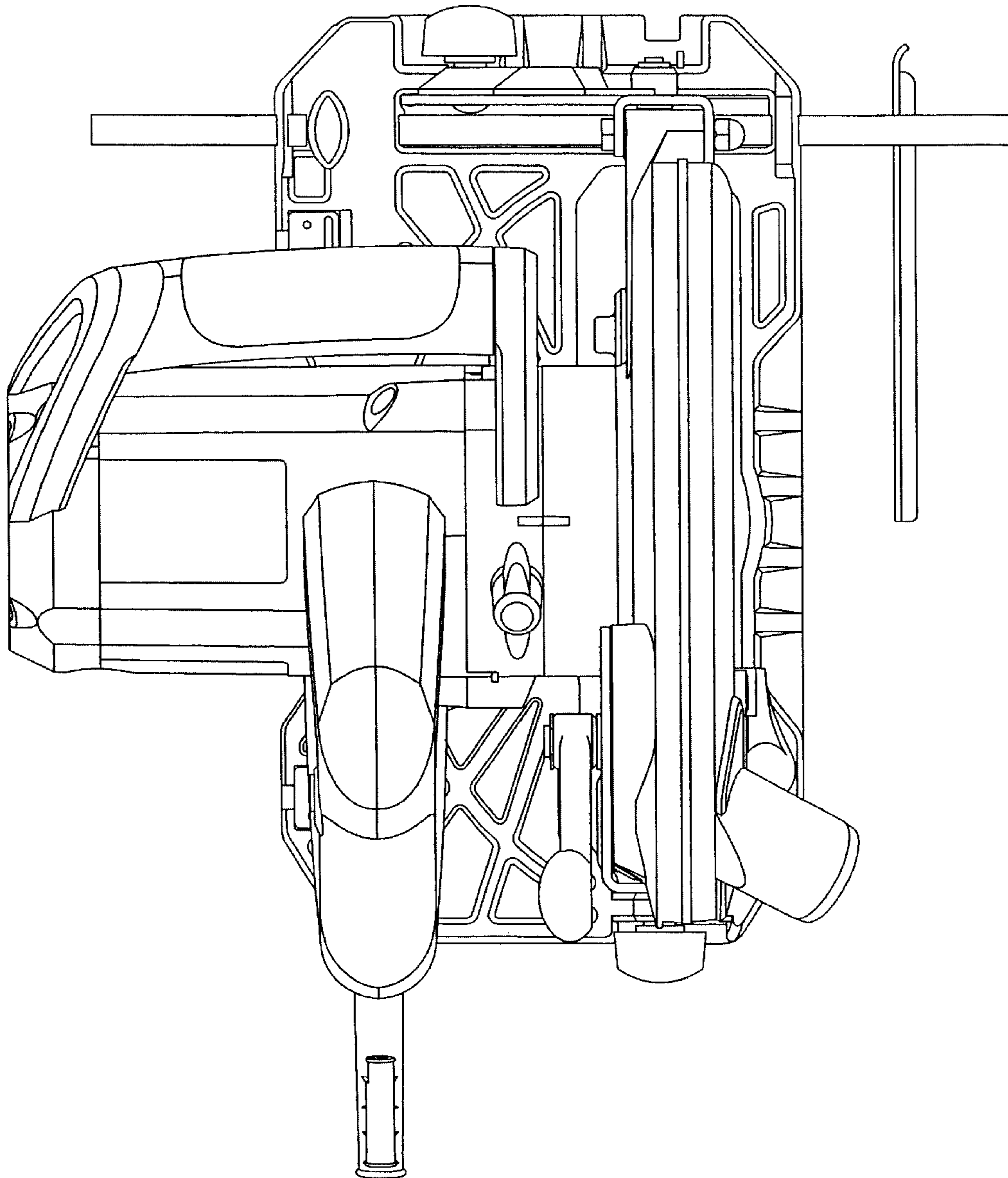


FIG. 6

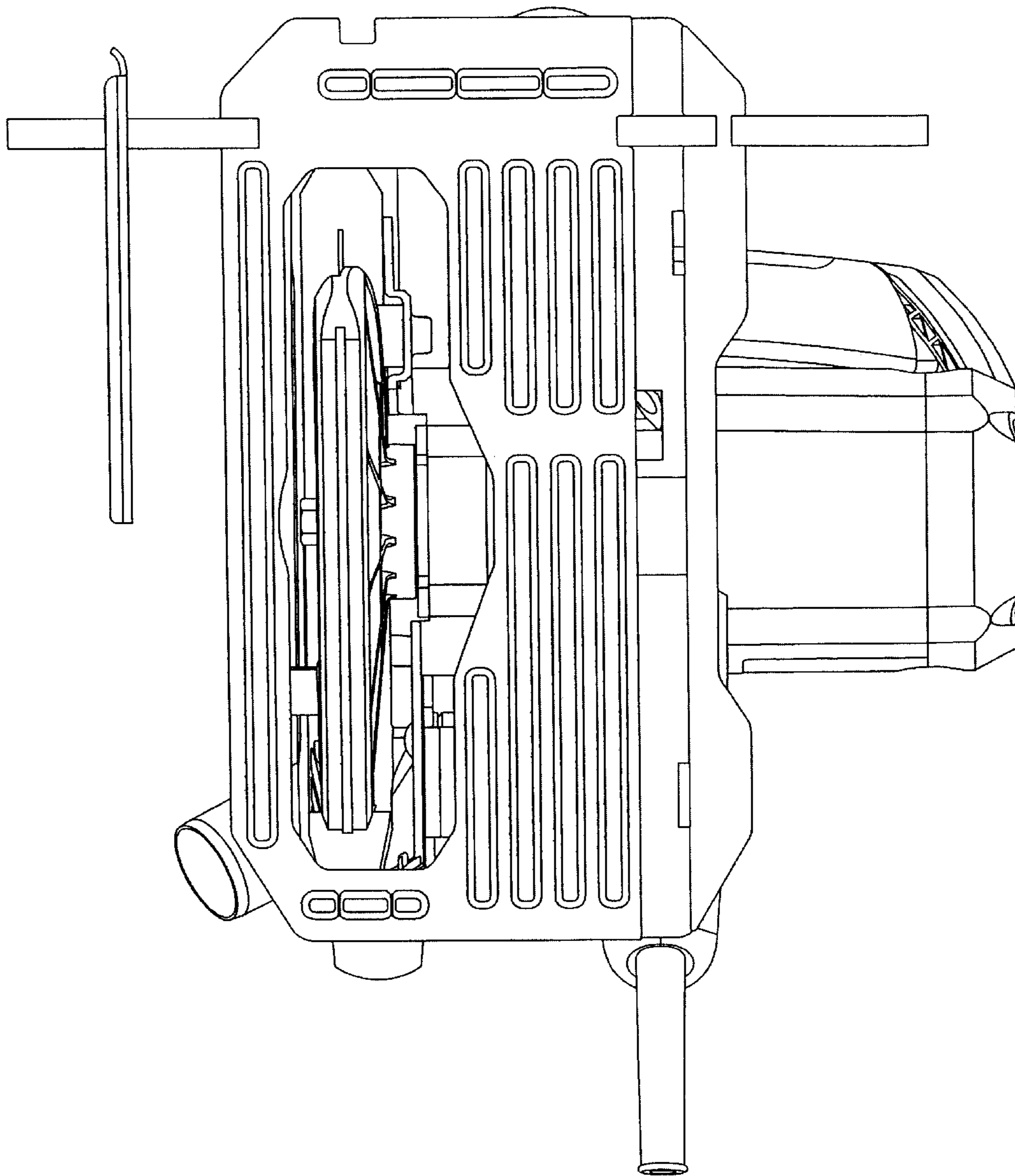


FIG. 7