



US00D522830S

(12) **United States Design Patent**
Wu

(10) **Patent No.:** **US D522,830 S**
(45) **Date of Patent:** **** Jun. 13, 2006**

(54) **PORTABLE TILE CUTTER**

(75) Inventor: **Shuming Wu**, Jiangsu (CN)

(73) Assignee: **Nanjing Chervon Industry Co., LTD**
(CN)

(**) Term: **14 Years**

(21) Appl. No.: **29/210,128**

(22) Filed: **Jul. 28, 2004**

(51) **LOC (8) Cl.** **08-03**

(52) **U.S. Cl.** **D8/66**

(58) **Field of Classification Search** D8/69,
D8/68, 67, 66, 64, 61, 70; 83/698.41, 747;
30/166.3, 374, 373, 375, 376, 391, 377, 390,
30/388, 389; 125/13.01, 14; 144/218; 451/213
See application file for complete search history.

(56) **References Cited**

U.S. PATENT DOCUMENTS

4,428,159	A	*	1/1984	Sigetich et al.	451/213
4,817,581	A	*	4/1989	Trentadue	125/14
4,870,758	A	*	10/1989	Fushiya	30/388
4,876,797	A	*	10/1989	Zapata	30/388
D315,854	S	*	4/1991	Kawakami et al.	D8/66
5,850,697	A	*	12/1998	Welch	30/391
5,930,903	A	*	8/1999	Hurn et al.	30/391
6,016,732	A	*	1/2000	Brault et al.	83/471.3
D460,672	S	*	7/2002	Pretzell	D8/66

6,484,410	B1	*	11/2002	Meastas	30/373
D475,265	S	*	6/2003	Hatch et al.	D8/66
6,591,826	B1	*	7/2003	Donnerdal	125/13.01
D504,297	S	*	4/2005	Tillman et al.	D8/66

* cited by examiner

Primary Examiner—Cathron C. Brooks

Assistant Examiner—Austin Murphy

(74) *Attorney, Agent, or Firm*—Lowe Hauptman & Berner, LLP

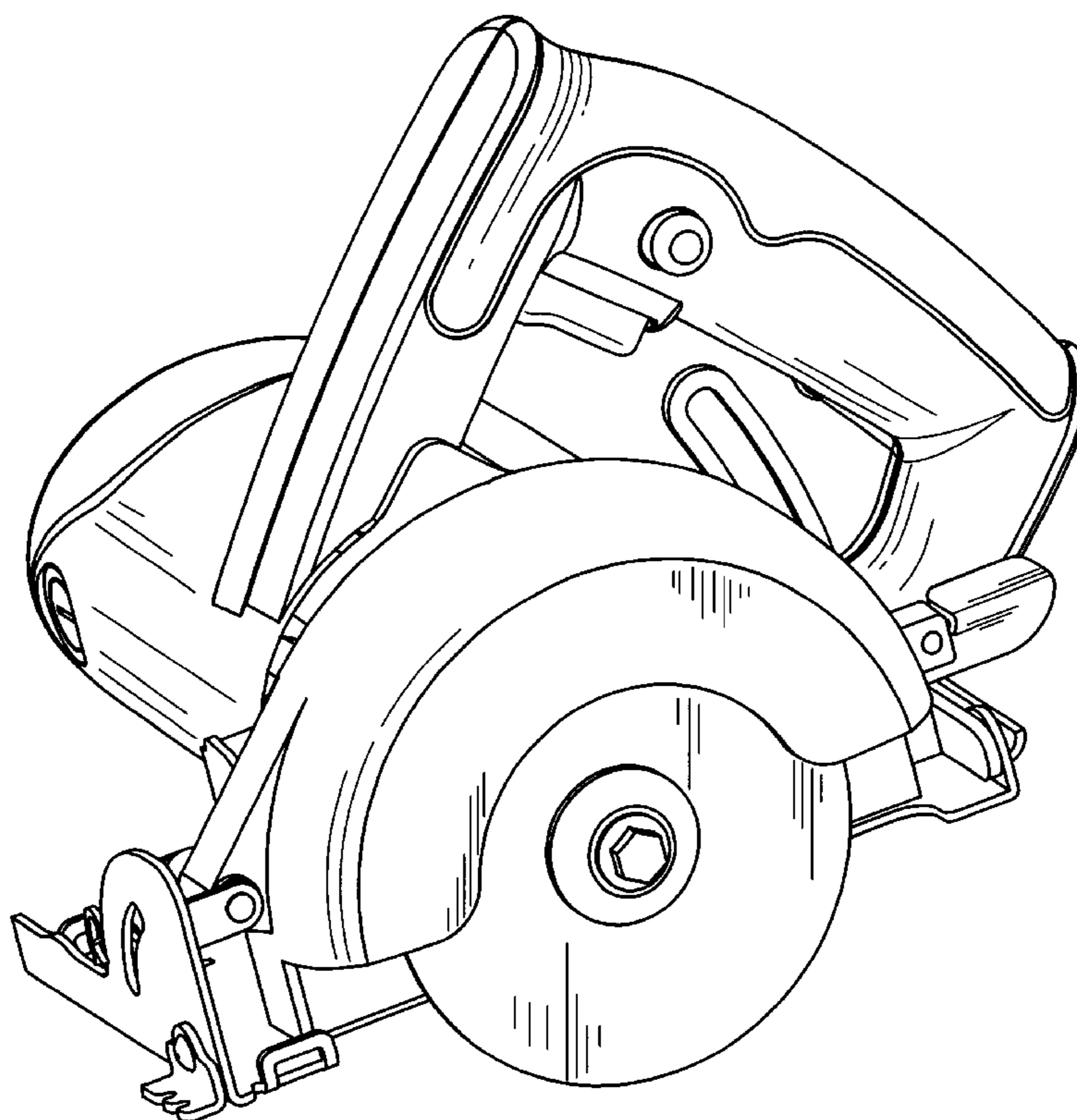
(57) **CLAIM**

I claim the ornamental design for a portable tile cutter, as shown and described.

DESCRIPTION

FIG. 1 is a front elevational view of the design;
FIG. 2 is a rear elevational view of the portable tile cutter in FIG. 1;
FIG. 3 is a right side elevational view of the portable tile cutter in FIG. 1;
FIG. 4 is a left side elevational view of the portable tile cutter in FIG. 1;
FIG. 5 is a bottom plan view of the portable tile cutter in FIG. 1;
FIG. 6 is a top plan view of the portable tile cutter in FIG. 1; and,
FIG. 7 is a perspective view of the portable tile cutter of FIG. 1.

1 Claim, 7 Drawing Sheets



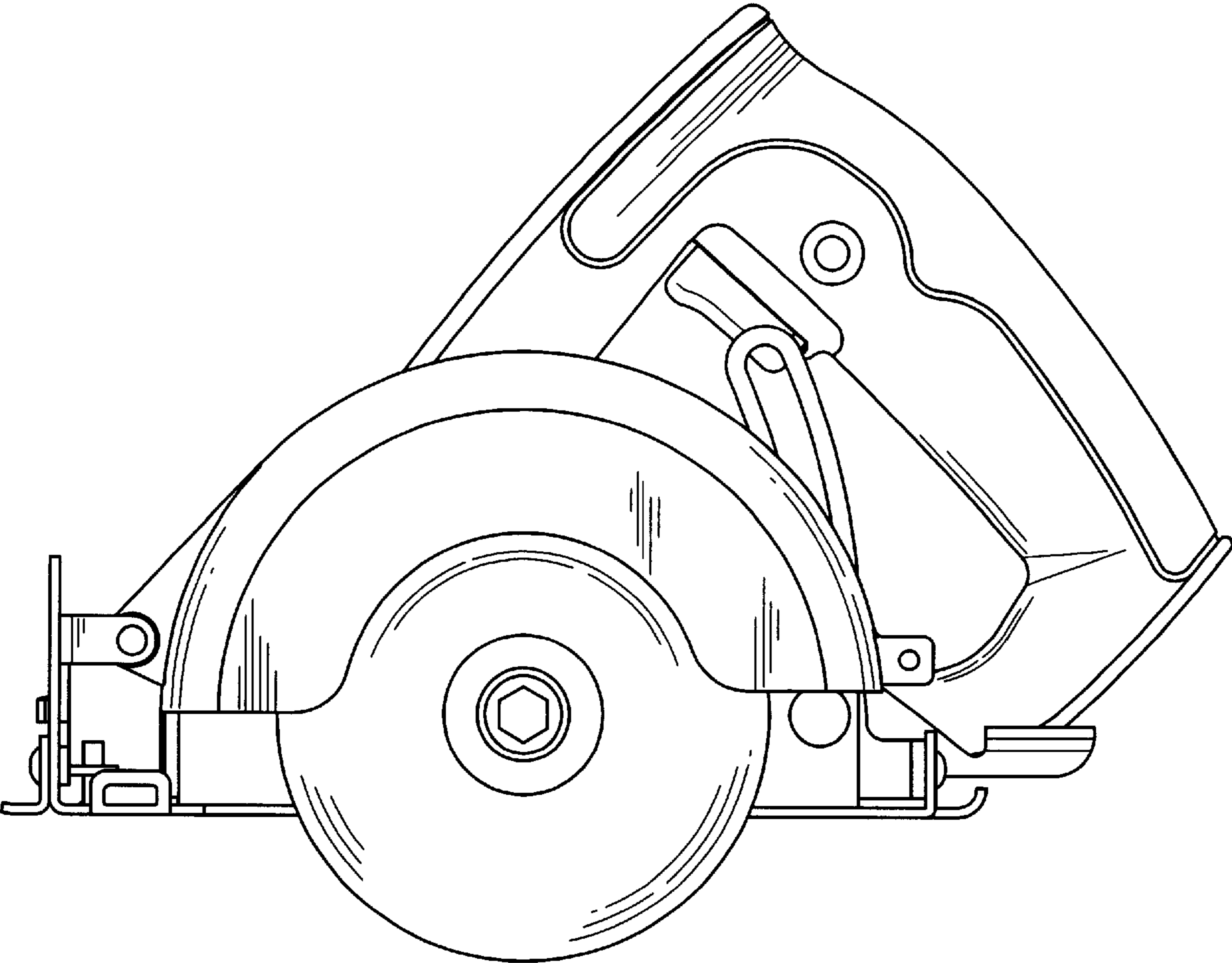


FIG 1

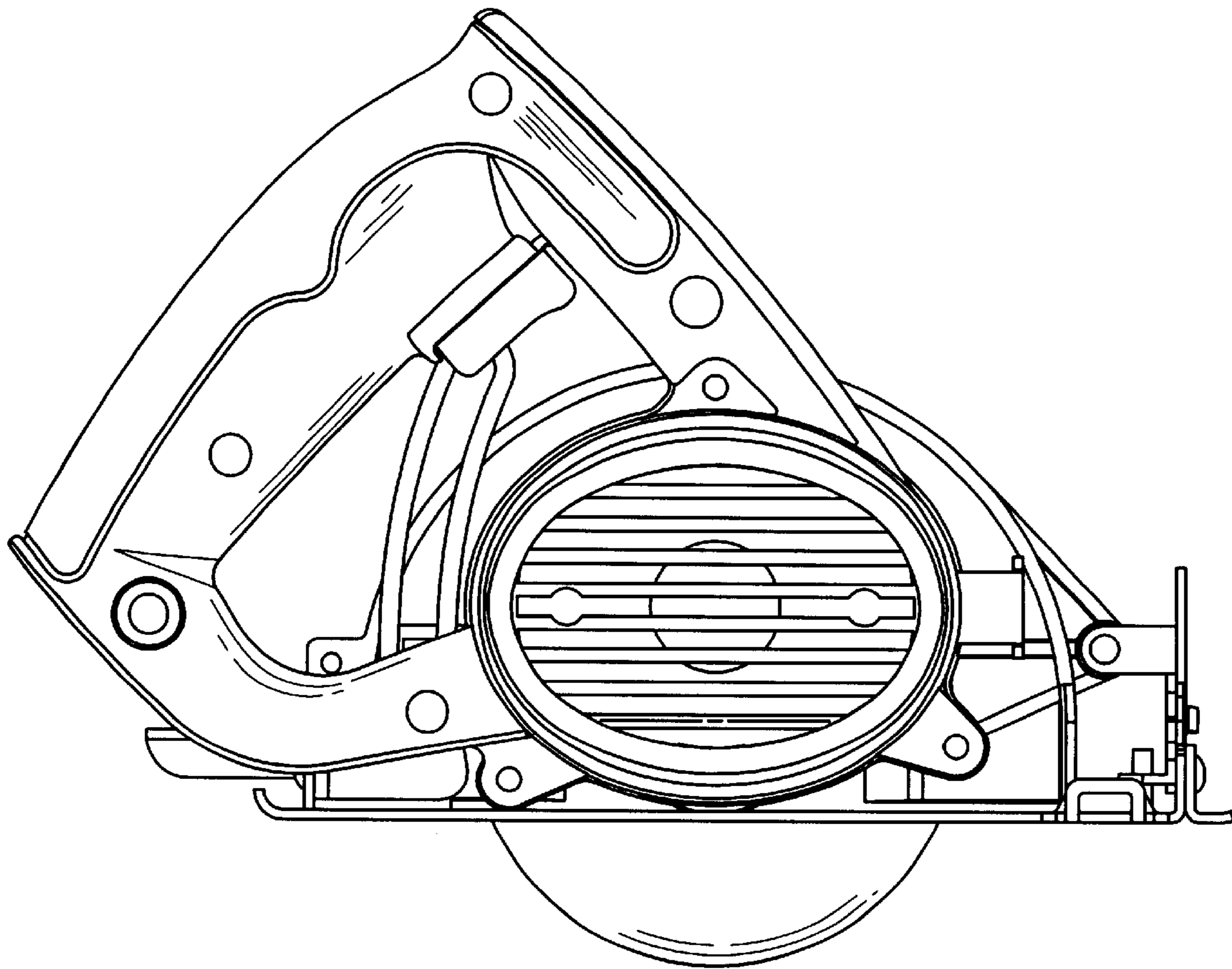


FIG 2

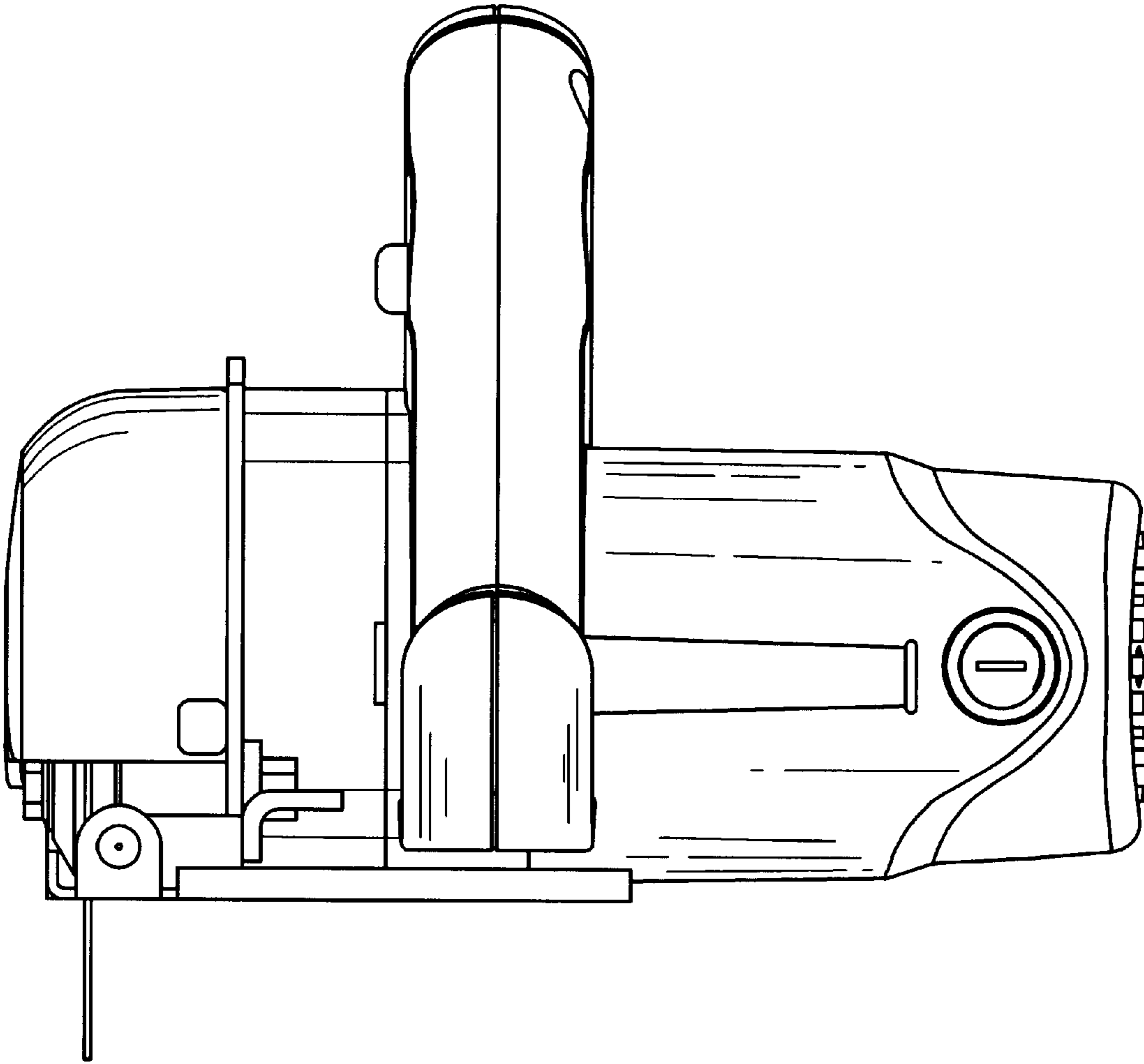


FIG 3

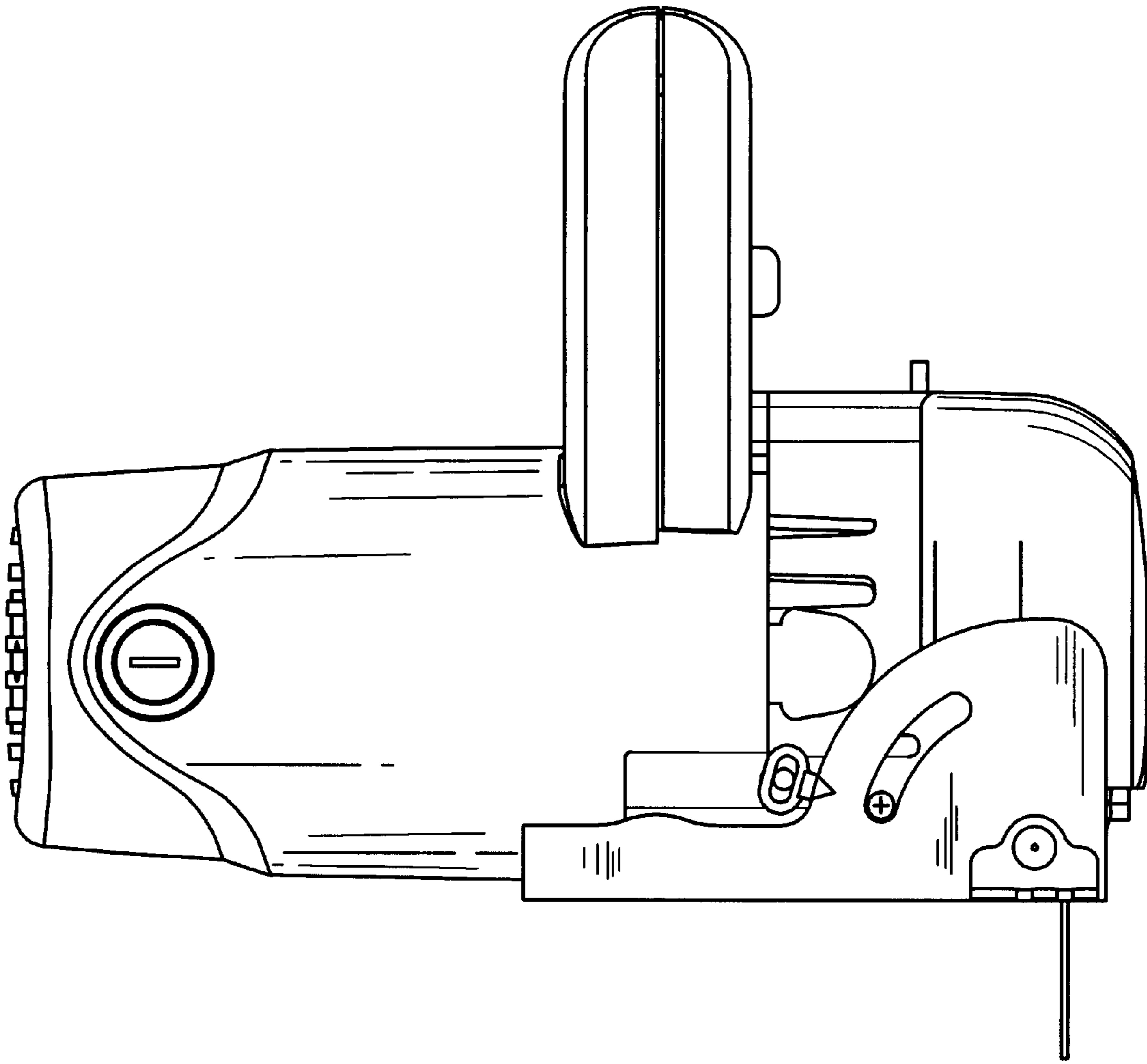


FIG 4

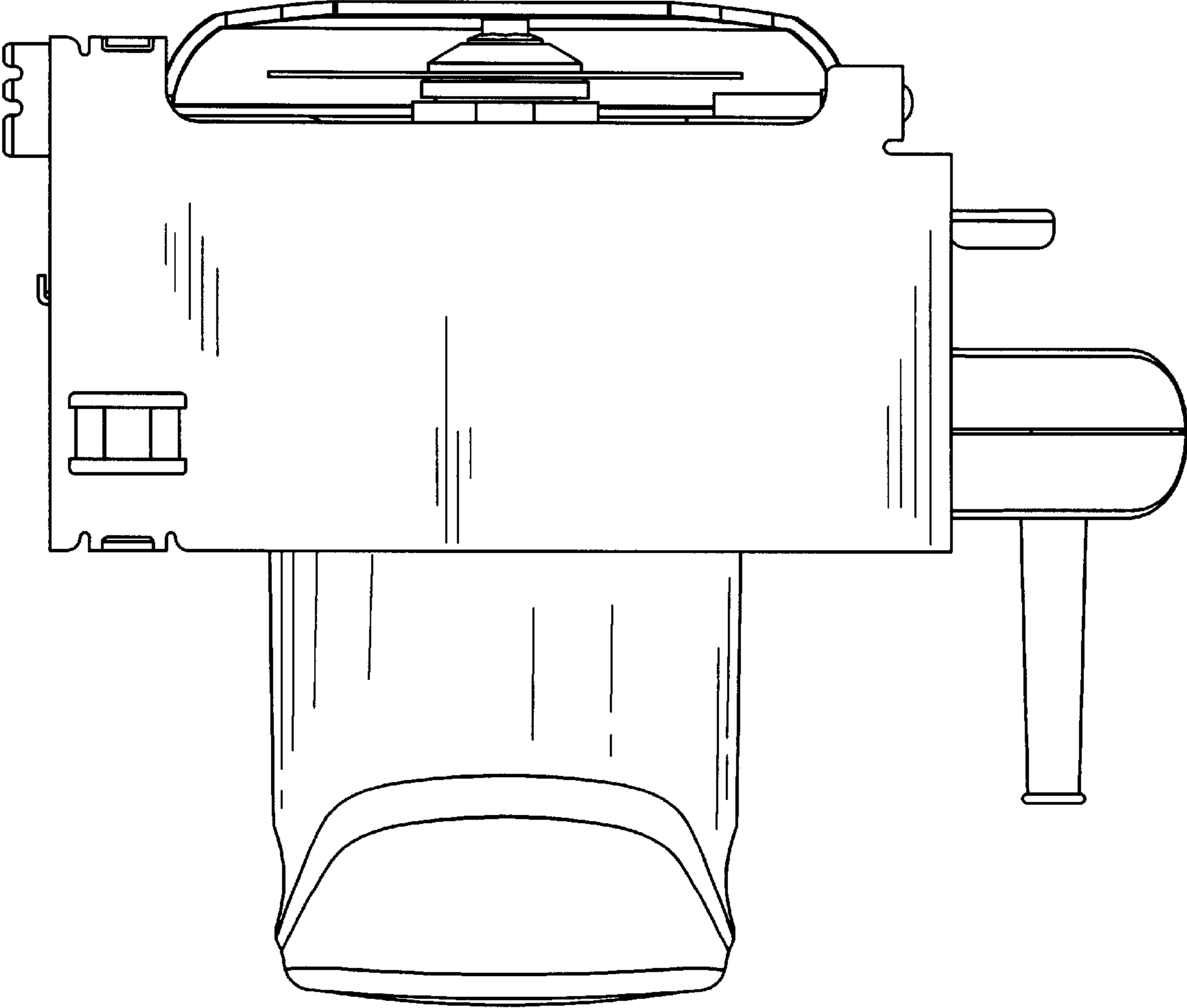


FIG 5

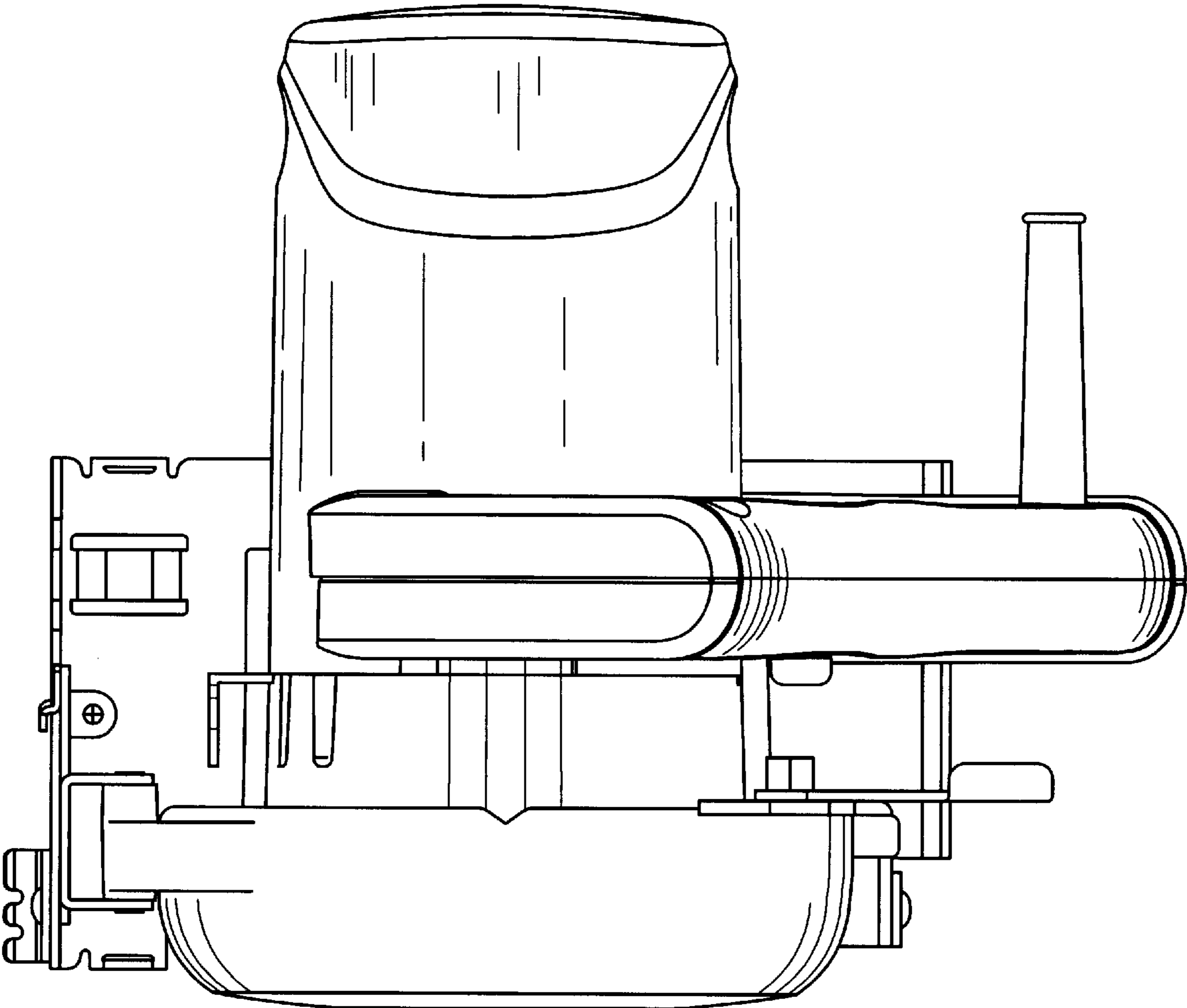


FIG 6

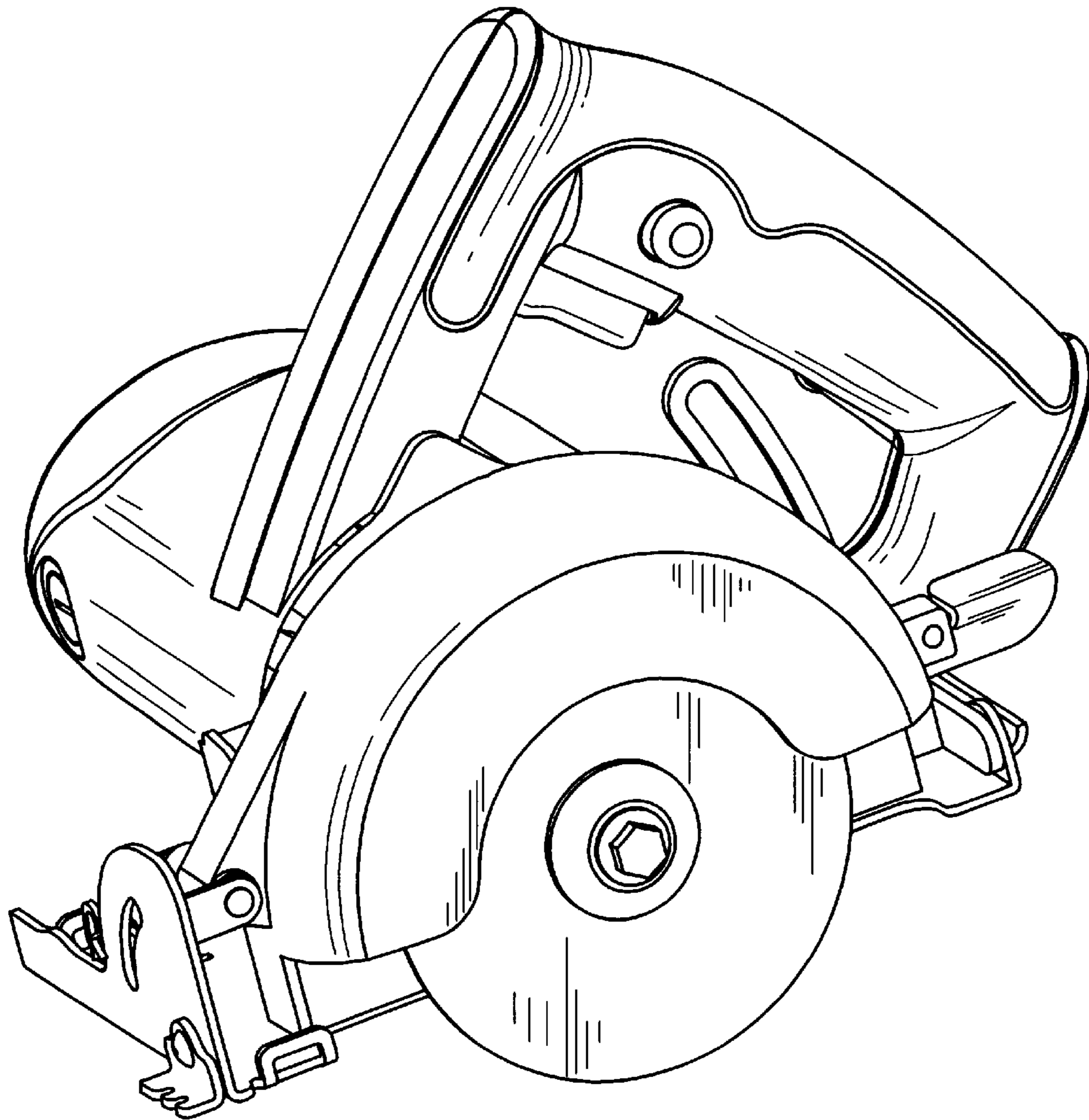


FIG 7