



US00D522828S

(12) **United States Design Patent**
Brazell et al.

(10) **Patent No.: US D522,828 S**
(45) **Date of Patent: ** Jun. 13, 2006**

(54) **BAND SAW**

(75) Inventors: **Kenneth M. Brazell**, Piedmont, SC
(US); **Clinton C. Thackery**, Anderson,
SC (US)

(73) Assignee: **Eastway Fair Company Limited** (VG)

(**) Term: **14 Years**

(21) Appl. No.: **29/197,442**

(22) Filed: **Jan. 15, 2004**

(51) **LOC (8) Cl.** **08-03**

(52) **U.S. Cl.** **D8/64**

(58) **Field of Classification Search** D8/64;
D15/138; 83/824, 818, 816, 788; 30/380,
30/274, 166.3

See application file for complete search history.

(56) **References Cited**

U.S. PATENT DOCUMENTS

4,001,937	A	*	1/1977	Stelljes et al.	30/380
D248,085	S	*	6/1978	Stelljes et al.	D8/64
4,823,666	A	*	4/1989	Galloway	83/788
D316,507	S	*	4/1991	Fushiya et al.	D8/64
D345,171	S	*	3/1994	Watanabe et al.	D15/134
D395,438	S	*	6/1998	Armstrong	D15/134

D423,022	S	*	4/2000	Brazell et al.	D15/133
D434,049	S	*	11/2000	Brazell	D15/134
6,829,830	B1	*	12/2004	O'Banion	30/371
2004/0139835	A1	*	7/2004	Wright et al.	83/788
2004/0158996	A1	*	8/2004	McIntosh	30/380
2005/0188550	A1	*	9/2005	Uehlein-Proctor et al.	30/380

* cited by examiner

Primary Examiner—Cathron C. Brooks

Assistant Examiner—Austin Murphy

(74) *Attorney, Agent, or Firm*—Brinks Hofer Gilson & Lione; G. Peter Nichols

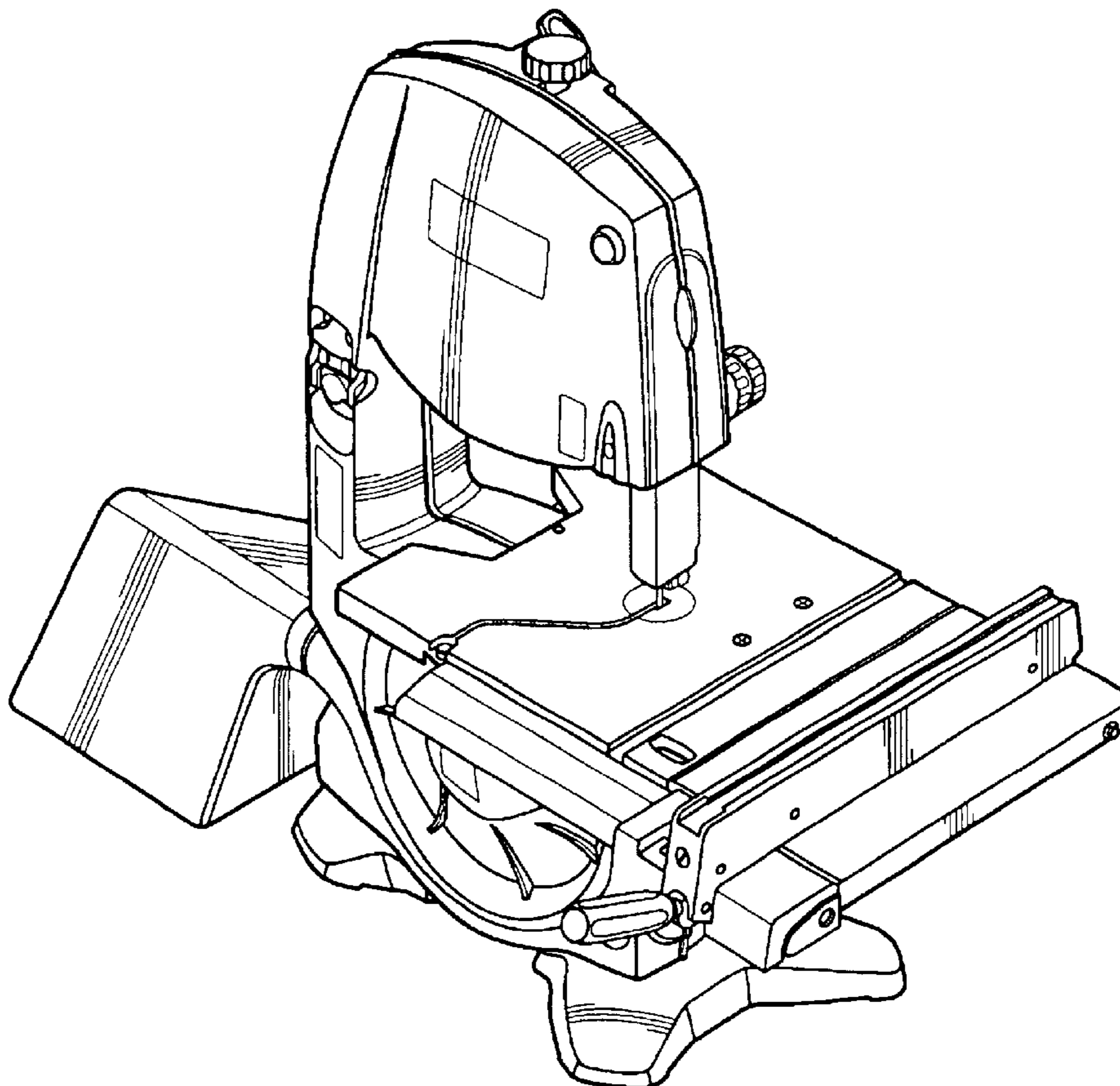
(57) **CLAIM**

The ornamental design for a band saw, as shown and described.

DESCRIPTION

FIG. 1 is a front perspective view of the band saw of the present invention;
FIG. 2 is a left side elevational view thereof;
FIG. 3 is a right side elevational view thereof;
FIG. 4 is a rear end view thereof;
FIG. 5 is a front end view thereof;
FIG. 6 is a top view thereof; and,
FIG. 7 is a bottom view thereof.

1 Claim, 4 Drawing Sheets



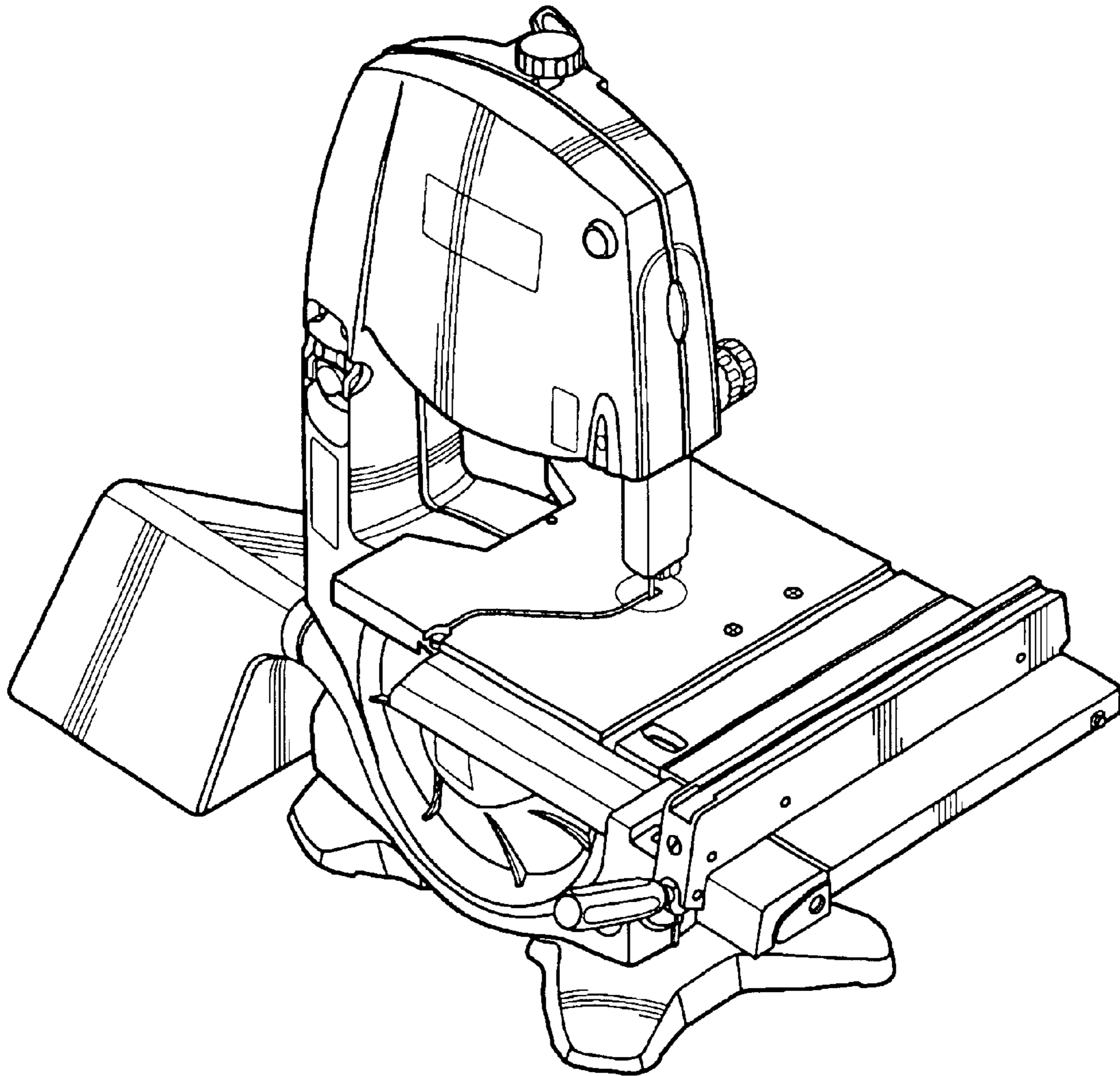


FIG. 1

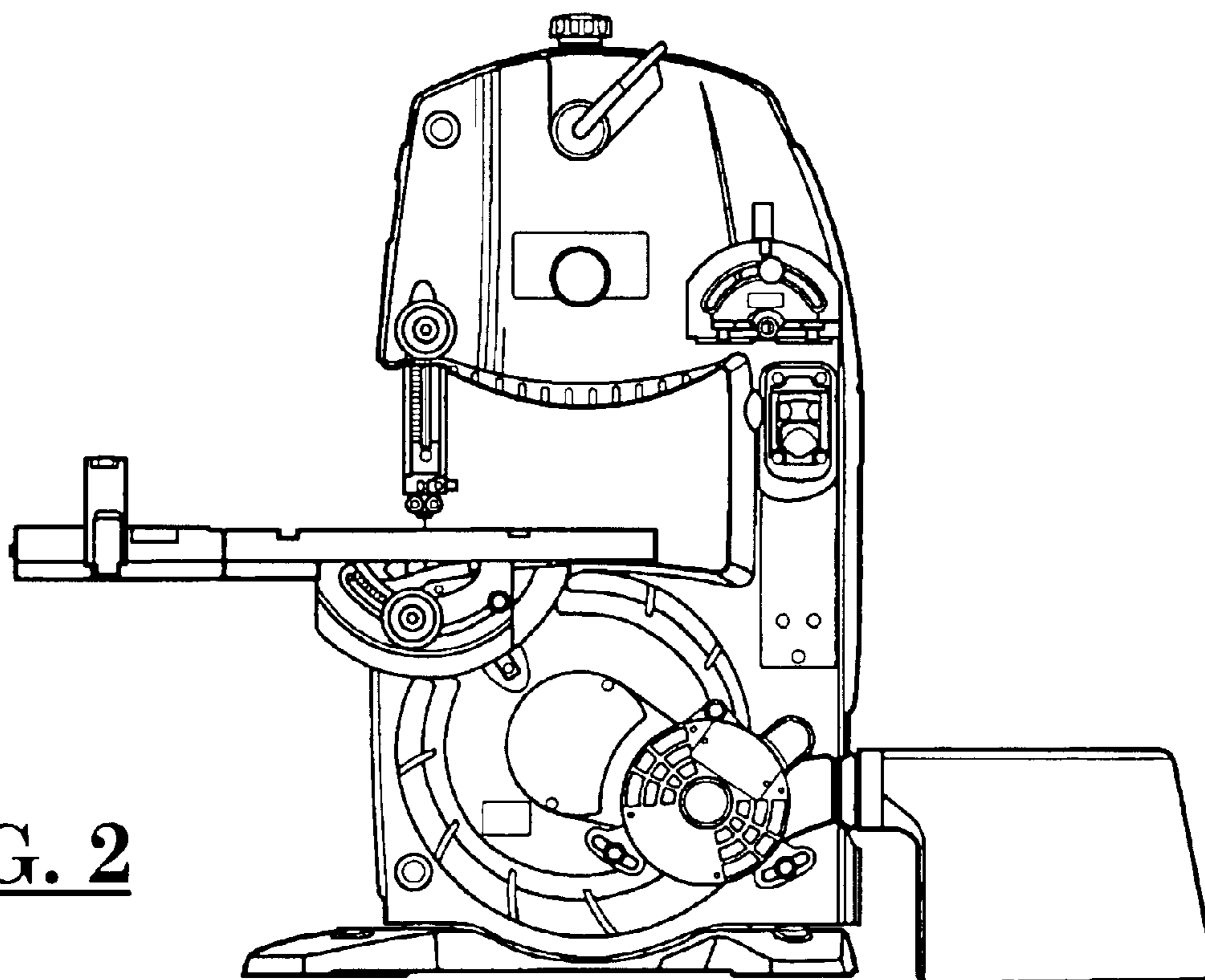


FIG. 2

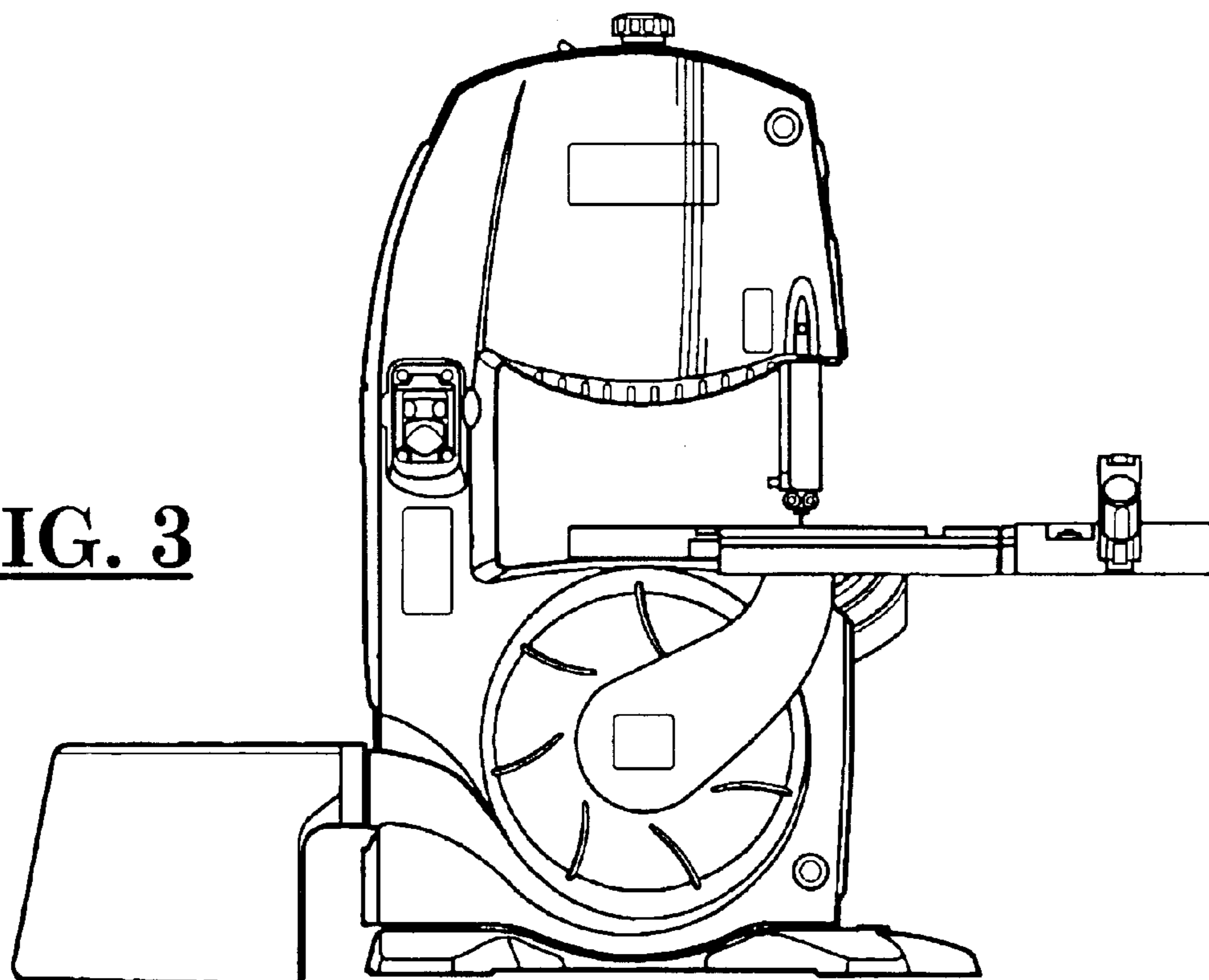


FIG. 3

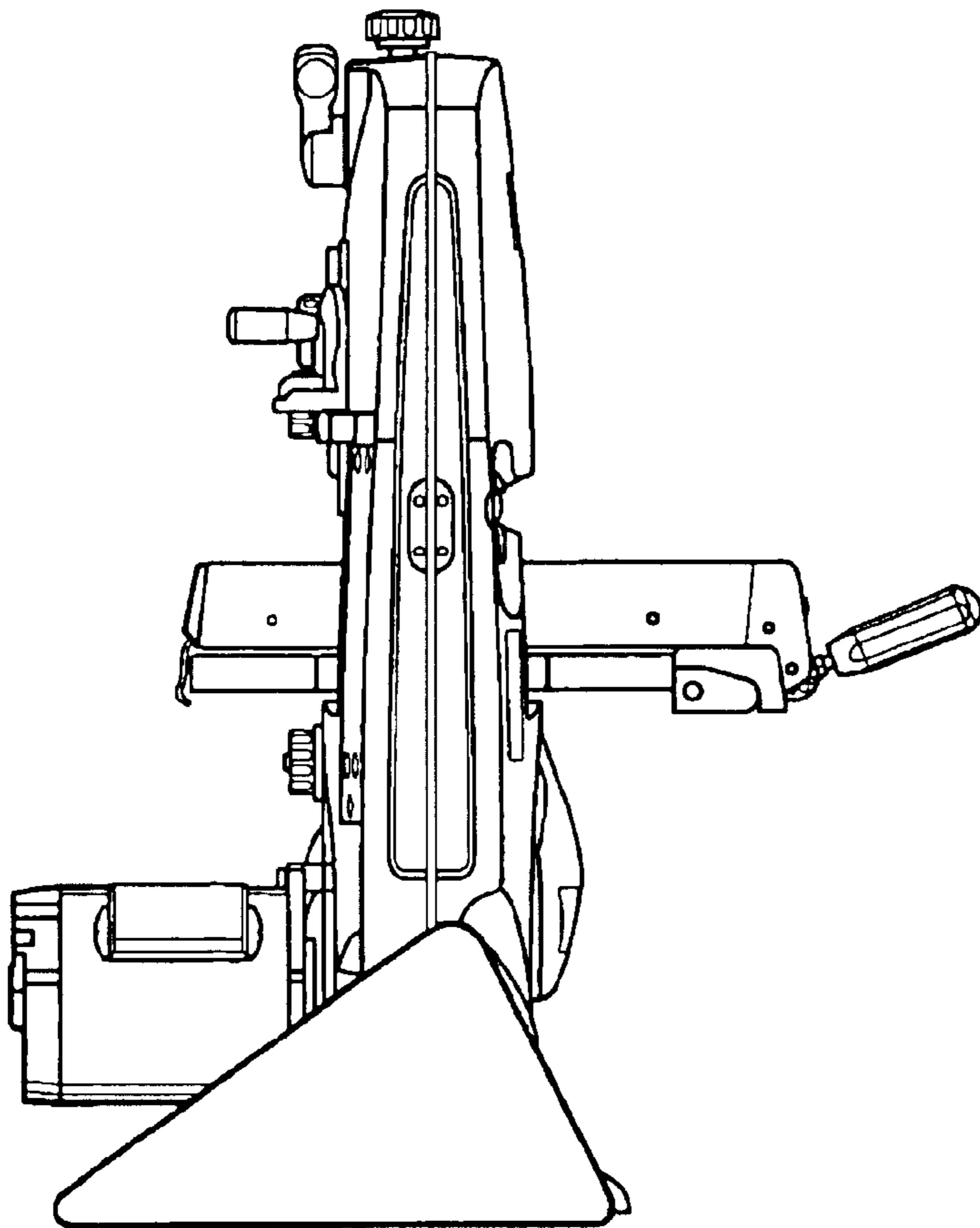


FIG. 4

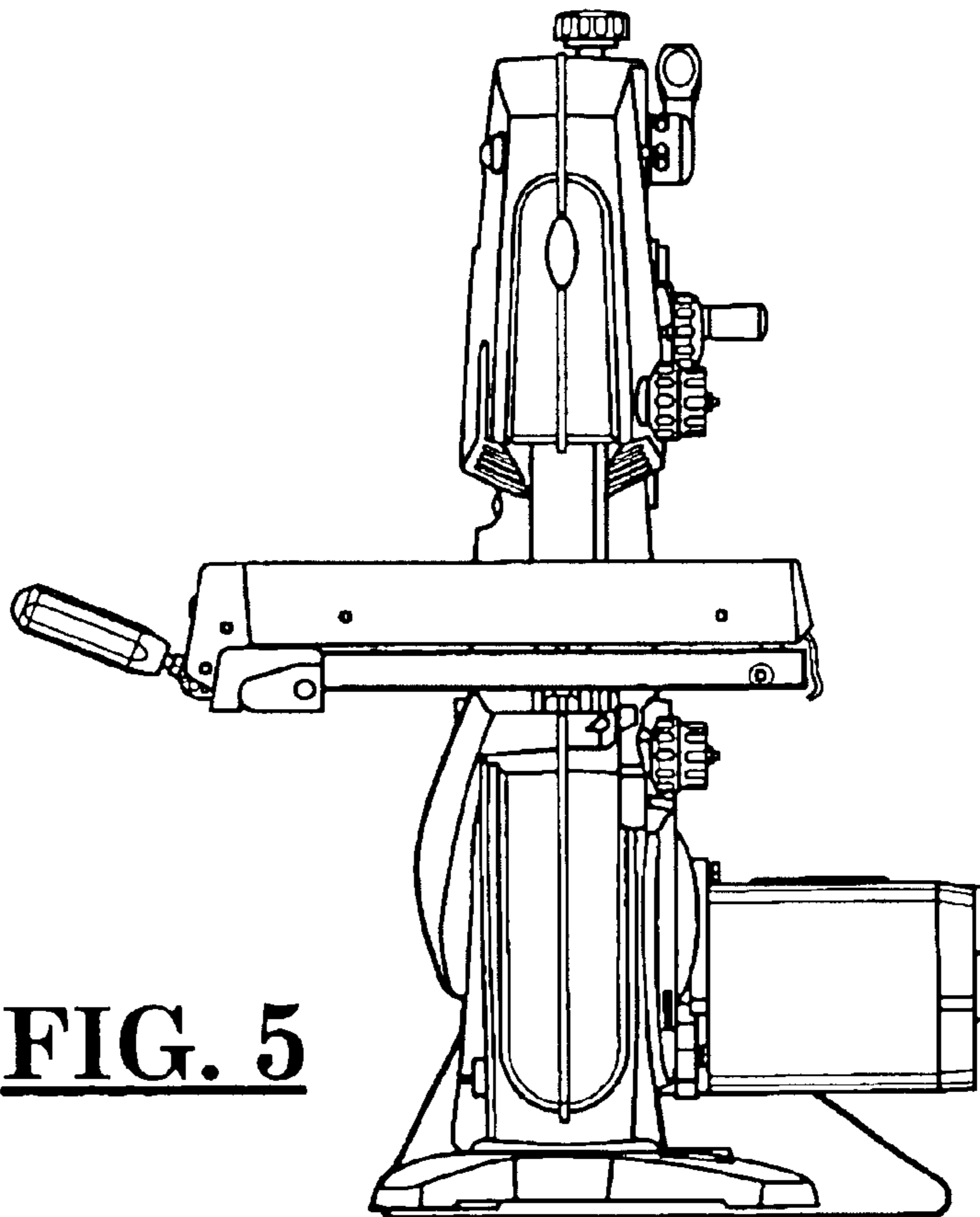


FIG. 5

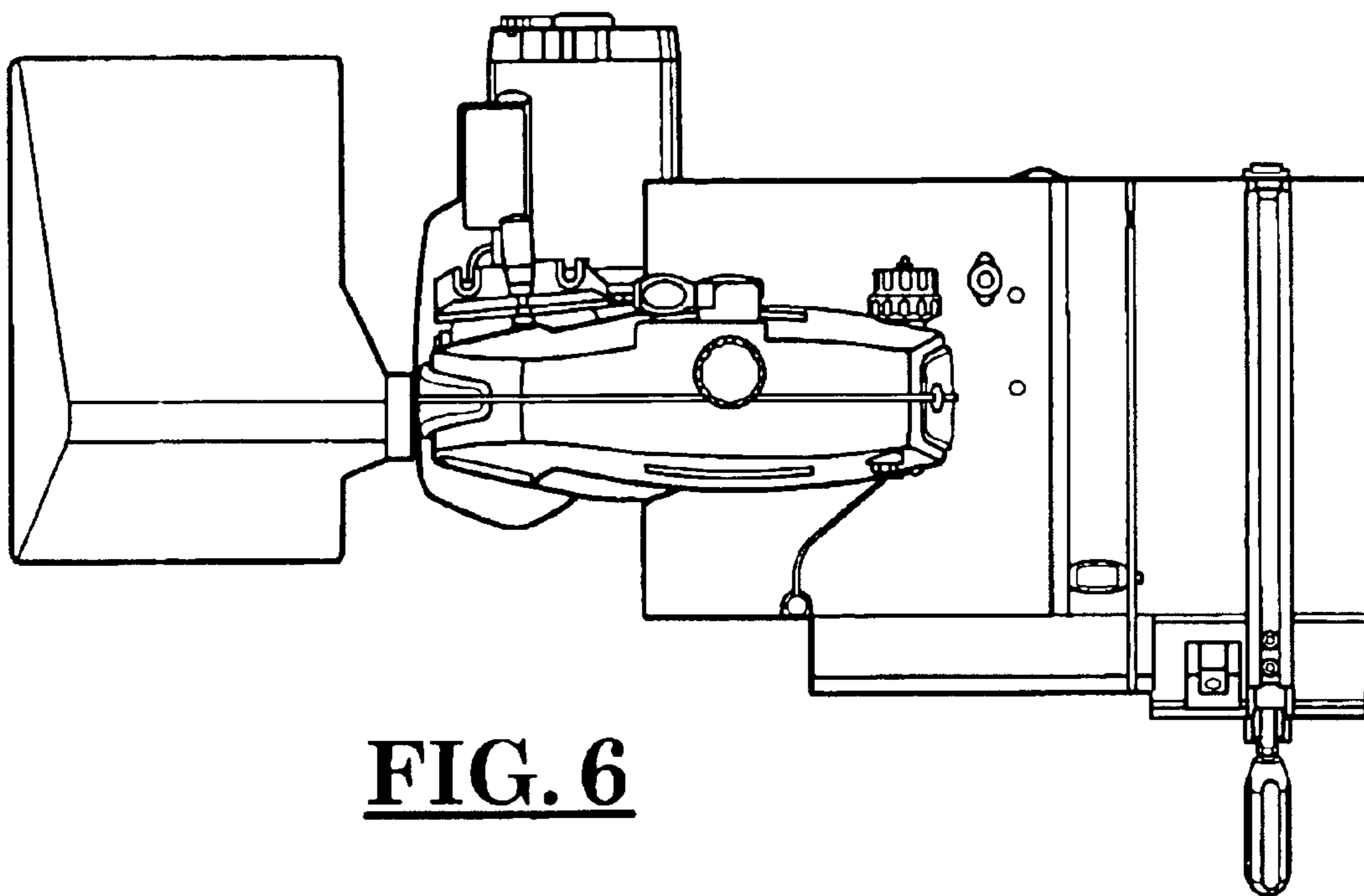


FIG. 6

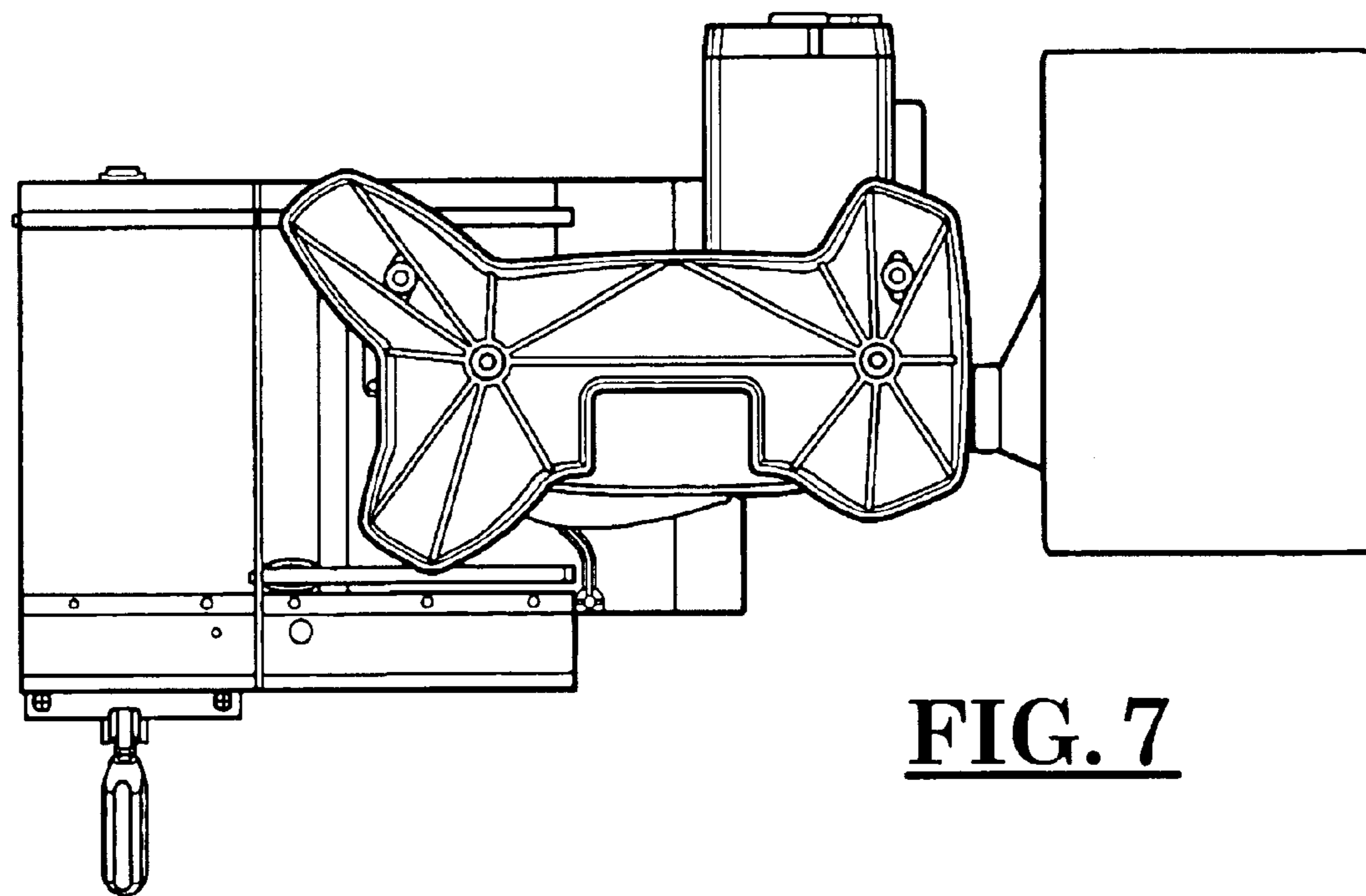


FIG. 7