

US00D522823S

(12) **United States Design Patent**
Henry

(10) **Patent No.:** **US D522,823 S**
(45) **Date of Patent:** **** Jun. 13, 2006**

(54) **CORKSCREW WITH SUCTION DEVICE**

D496,241 S * 9/2004 Yu D8/39
D505,848 S * 6/2005 Lee D8/42

(75) Inventor: **Louis F. Henry**, Scarsdale, NY (US)

* cited by examiner

(73) Assignee: **Design For Living, L.L.C.**, New York, NY (US)

Primary Examiner—Caron D. Veynar
Assistant Examiner—Garth Rademaker

(**) Term: **14 Years**

(74) *Attorney, Agent, or Firm*—Lathrop & Gage LC

(21) Appl. No.: **29/232,227**

(57) **CLAIM**

(22) Filed: **Jun. 16, 2005**

The ornamental design for a corkscrew with suction device, as shown.

(51) **LOC (8) Cl.** **07-99**

DESCRIPTION

(52) **U.S. Cl.** **D8/39**

(58) **Field of Classification Search** D8/33-43,
D8/105; D7/665, 66, 680, 683-687; D27/195;
7/113, 151-155; 30/113.1, 113.2, 113.3; 81/3.45,
81/3.48, 3.49

FIG. 1 is a perspective view of a corkscrew with suction device, showing the new design;

FIG. 2 is a front view of the corkscrew with suction device of FIG. 1;

FIG. 3 is a right side view of the corkscrew with suction device of FIG. 1;

FIG. 4 is a left side view of the corkscrew with suction device of FIG. 1;

FIG. 5 is a back view of the corkscrew with suction device of FIG. 1;

FIG. 6 is the top view of the corkscrew with suction device of FIG. 1; and,

FIG. 7 is the bottom view of the corkscrew with suction device of FIG. 1.

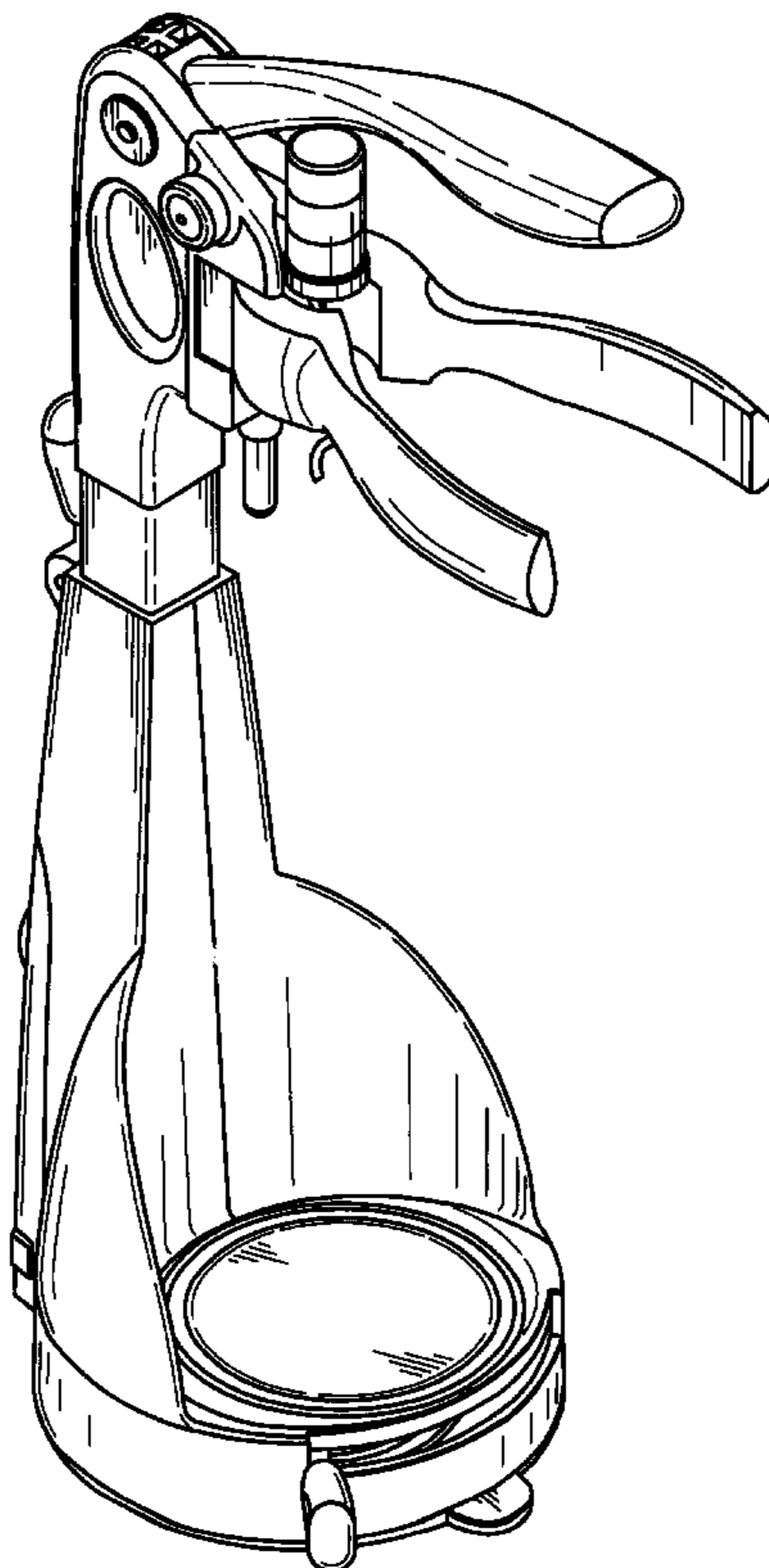
See application file for complete search history.

(56) **References Cited**

U.S. PATENT DOCUMENTS

D408,697 S	*	4/1999	de Bergen	D8/42
D442,043 S	*	5/2001	Kao	D8/39
D465,710 S	*	11/2002	Kao	D8/39
D468,602 S	*	1/2003	Yu	D8/39
D477,973 S	*	8/2003	Yu	D8/39
D481,599 S	*	11/2003	Yu	D8/39
D482,250 S	*	11/2003	Vitrac	D8/39

1 Claim, 6 Drawing Sheets



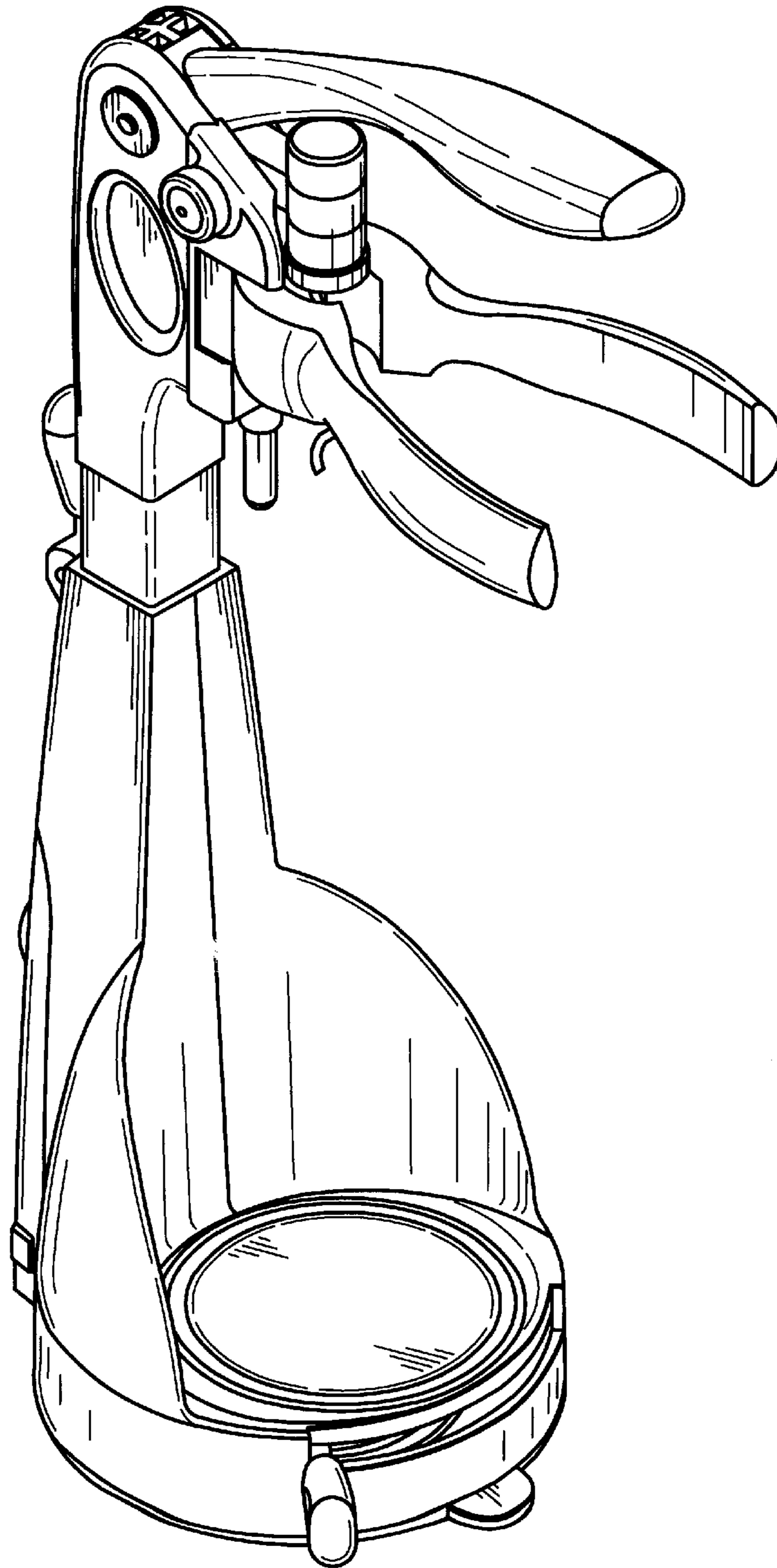


FIG. 1

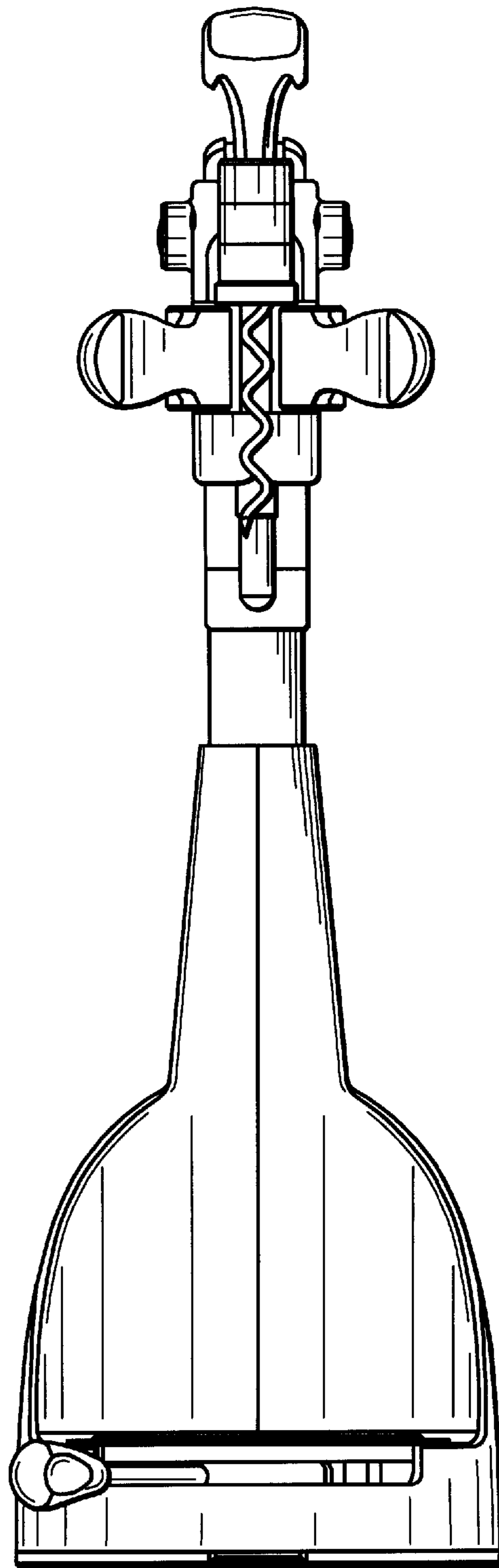


FIG. 2

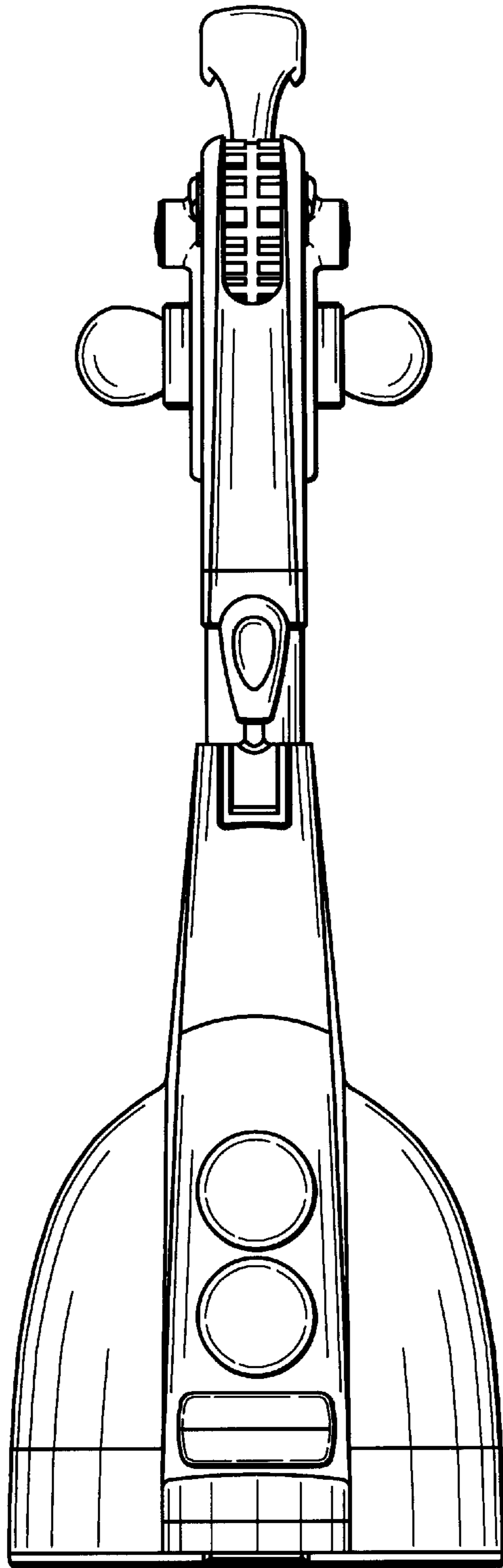


FIG. 3

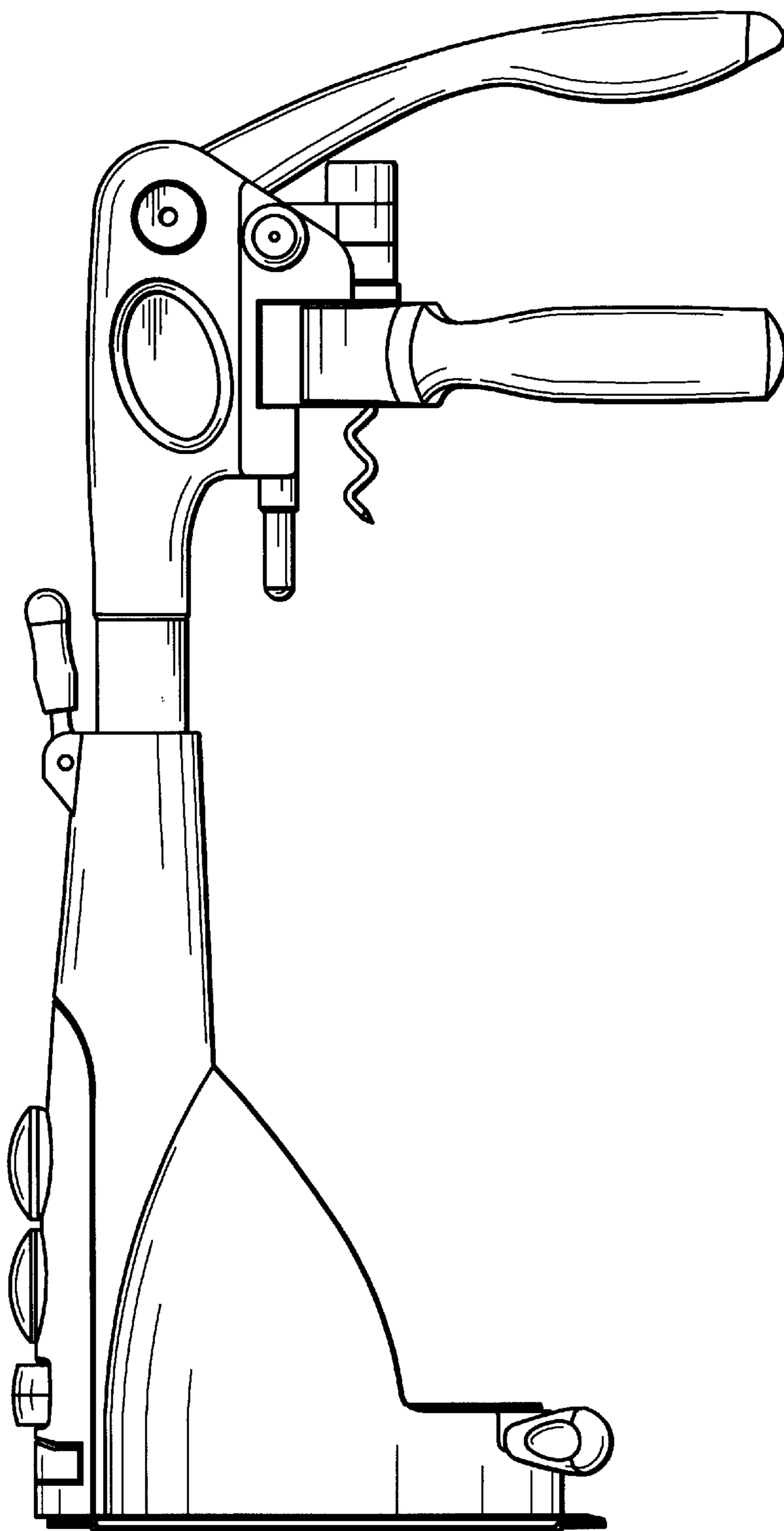


FIG. 4

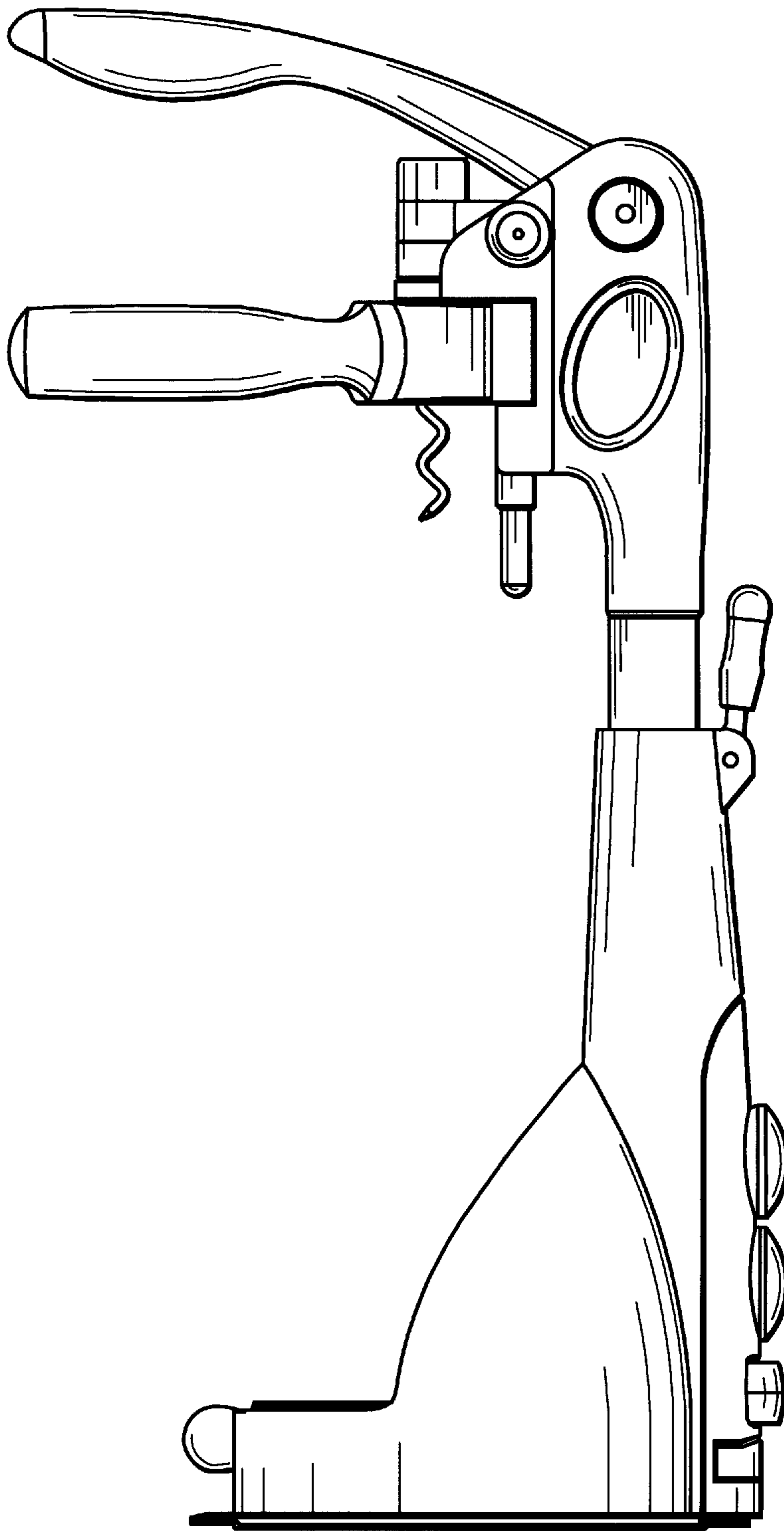


FIG. 5

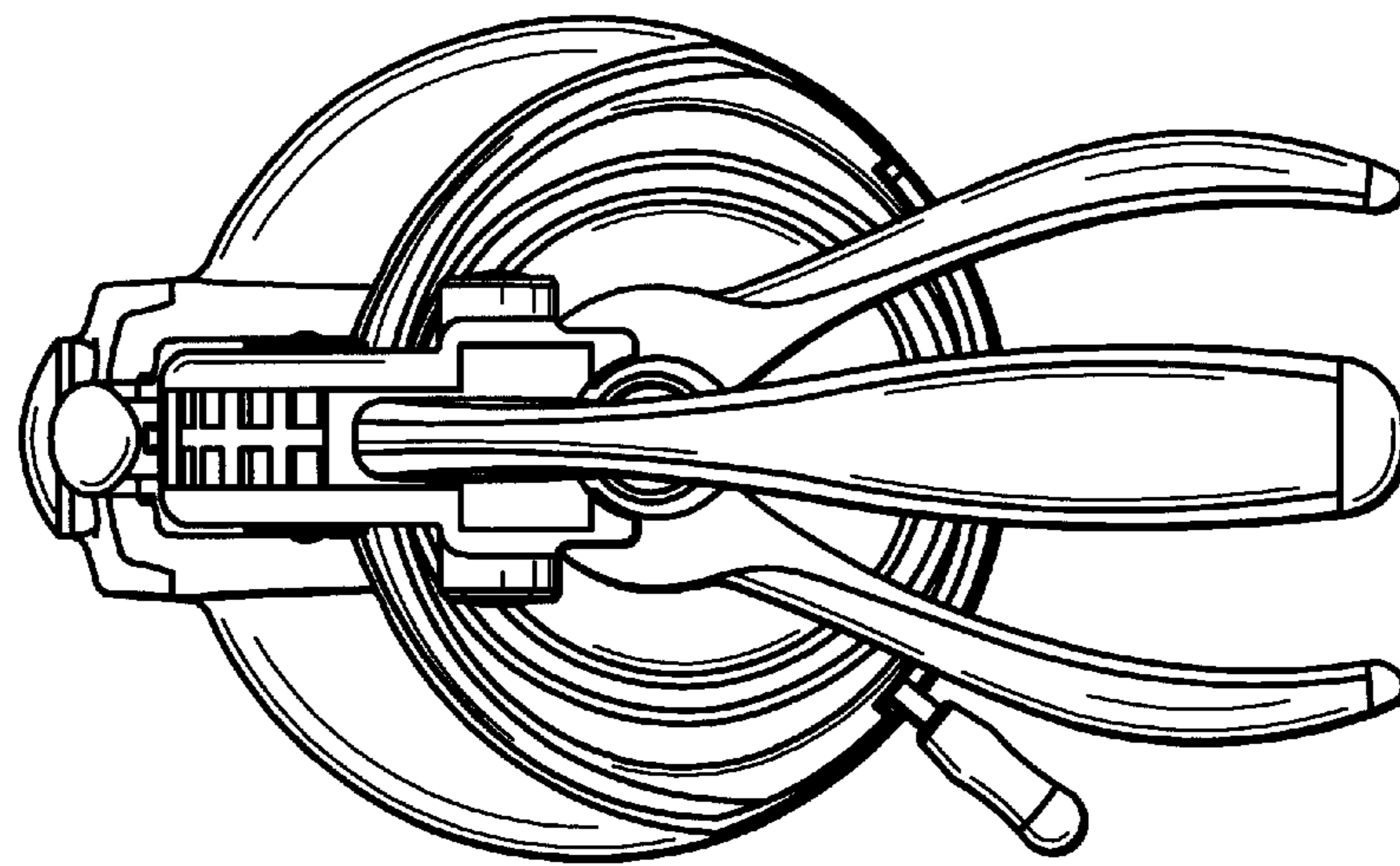


FIG. 6

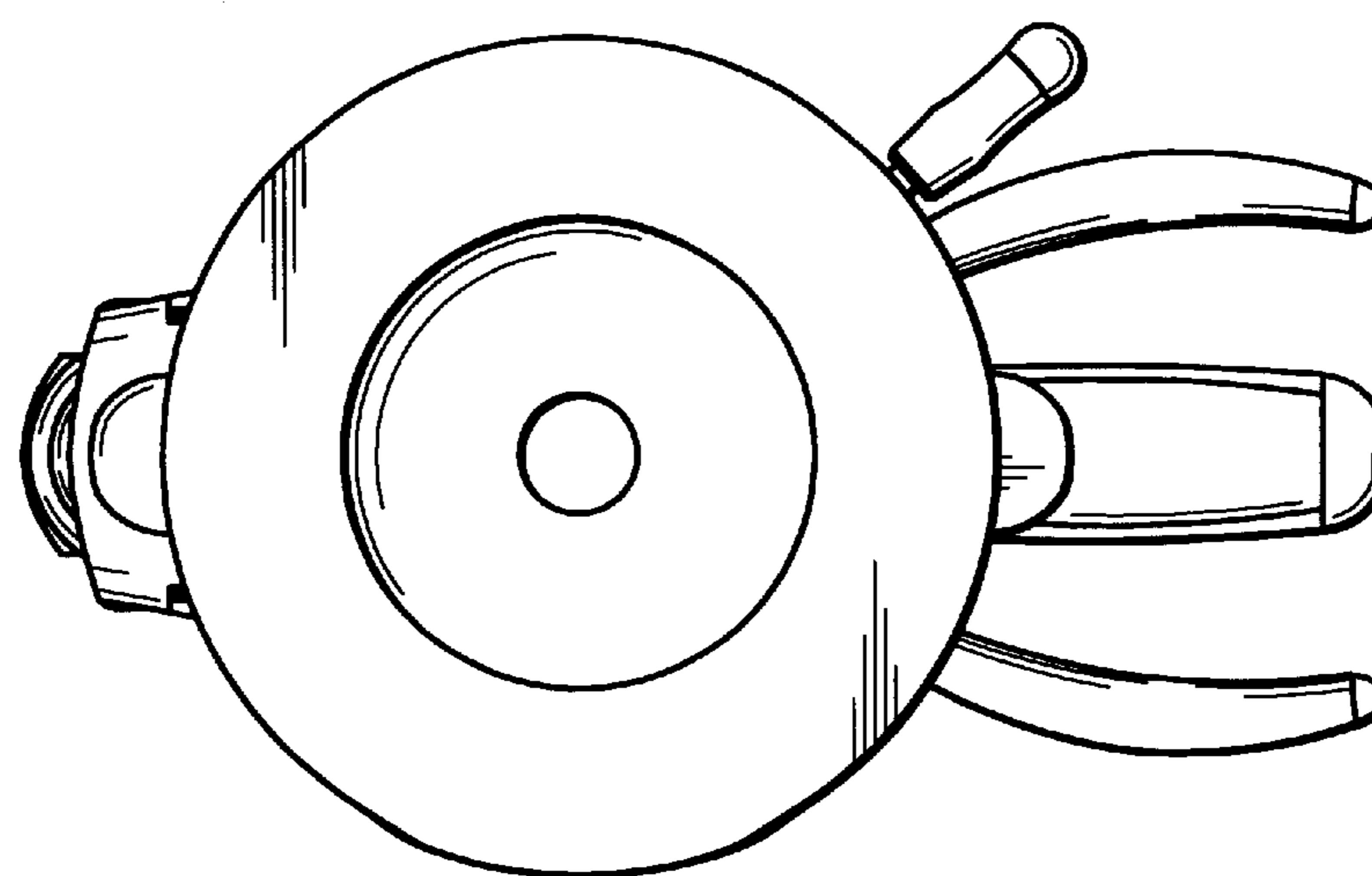


FIG. 7