



US00D522821S

(12) **United States Design Patent**
Hsieh

(10) **Patent No.:** **US D522,821 S**

(45) **Date of Patent:** **** Jun. 13, 2006**

(54) **SOCKET CAPABLE OF BEING ENGAGED WITH A SPANNER FOR DRIVING A SCREW**

(76) **Inventor:** **Chih-Ching Hsieh**, 235 Chung-Ho Box 8-24, Taipei (TW)

(**) **Term:** **14 Years**

(21) **Appl. No.:** **29/215,813**

(22) **Filed:** **Oct. 26, 2004**

(51) **LOC (8) Cl.** **08-05**

(52) **U.S. Cl.** **D8/29**

(58) **Field of Classification Search** 81/125.1, 81/119, 52, 60-63.2, 177.1, 177.2, 177.6, 81/177.7, 121.1, 124.3, 124.4, 124.6, 124.7, 81/125; D8/21-29, 17, 107
See application file for complete search history.

(56) **References Cited**

U.S. PATENT DOCUMENTS

D45,165	S	*	1/1914	Warren	D8/21
4,699,029	A	*	10/1987	Kelly et al.	81/121.1
5,207,132	A	*	5/1993	Goss et al.	81/460
D359,669	S	*	6/1995	Splingaire	D8/29
D410,367	S	*	6/1999	Applegate et al.	D8/27
6,019,019	A	*	2/2000	Hobbs	81/177.2

D425,770	S	*	5/2000	Hsieh	D8/29
D477,198	S	*	7/2003	Staton	D8/29
6,598,498	B1	*	7/2003	Pigford et al.	81/53.2
D489,589	S	*	5/2004	Wiljanen et al.	D8/21
D494,031	S	*	8/2004	Moore, Jr.	D8/29

* cited by examiner

Primary Examiner—Raphael Barkai

Assistant Examiner—Randall H. Gholson

(57) **CLAIM**

The ornamental design for a socket capable of being engaged with a spanner for driving a screw, as shown and described.

DESCRIPTION

FIG. 1 is a perspective view of a socket capable of being engaged with a spanner for driving a screw showing my new design.

FIG. 2 is a front elevational view thereof.

FIG. 3 is a rear elevational view thereof.

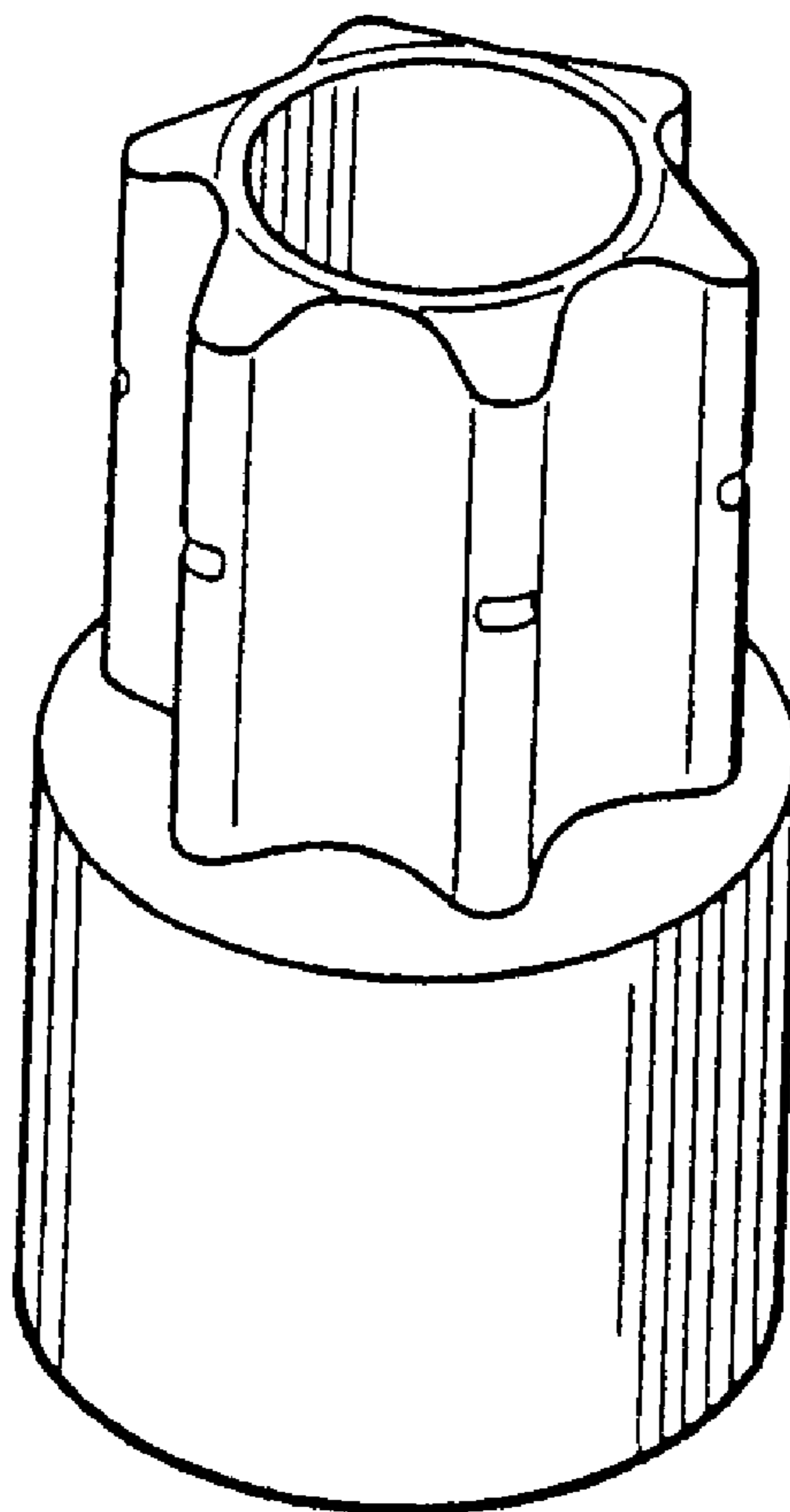
FIG. 4 is a left side view thereof.

FIG. 5 is a right side view thereof.

FIG. 6 is a top plan view thereof; and,

FIG. 7 is a bottom plan view thereof.

1 Claim, 3 Drawing Sheets



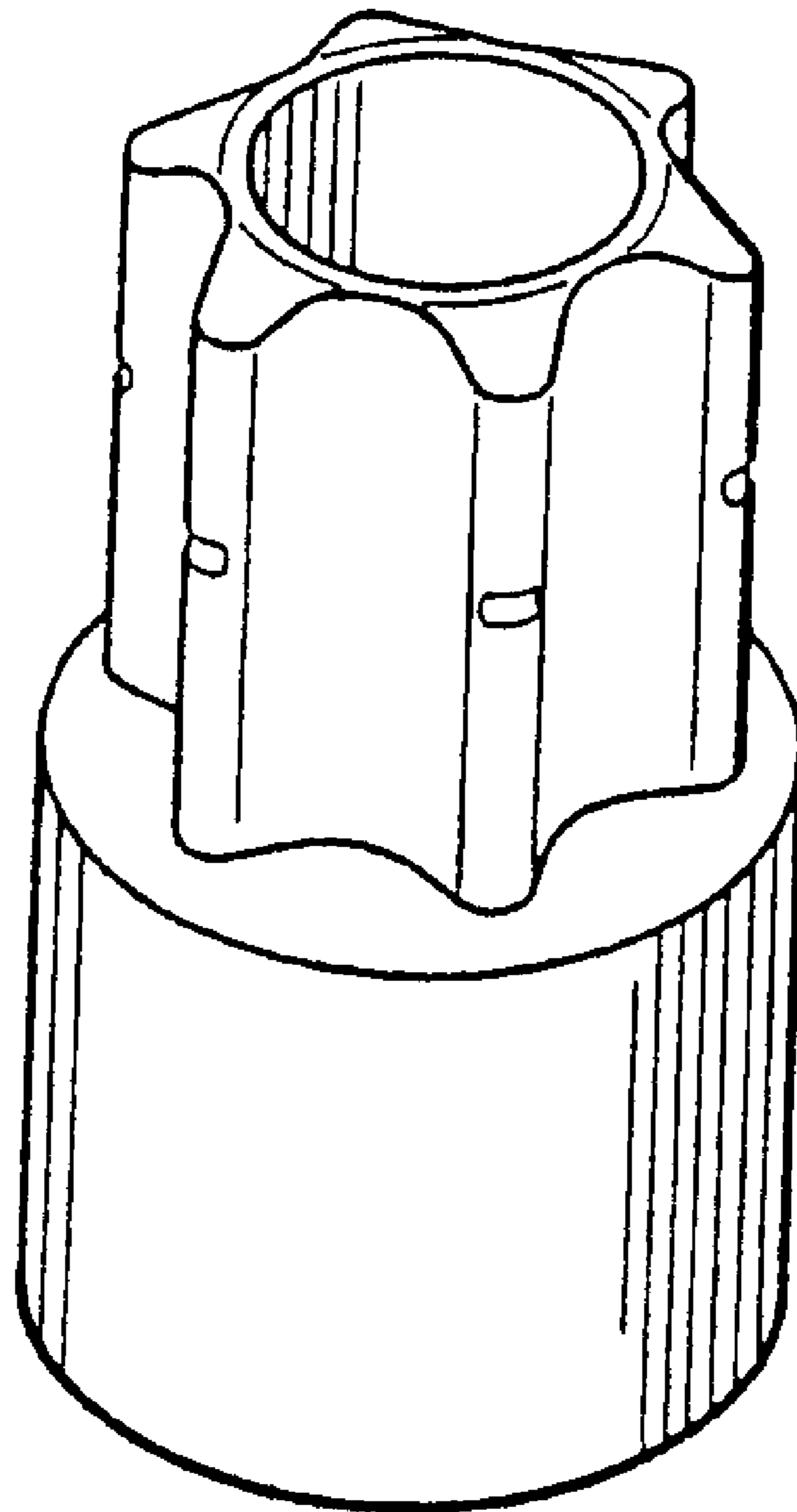


FIG. 1

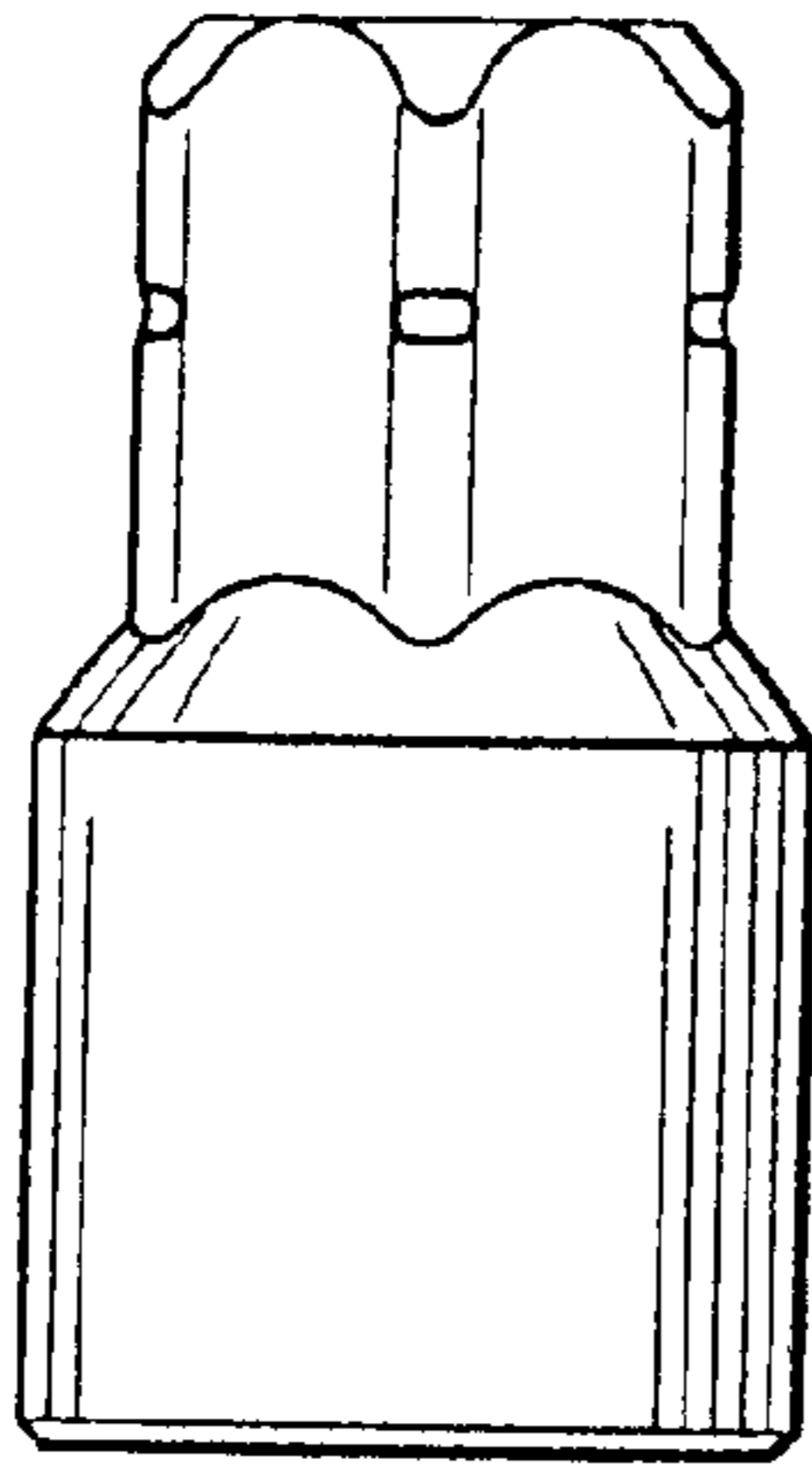


FIG. 4

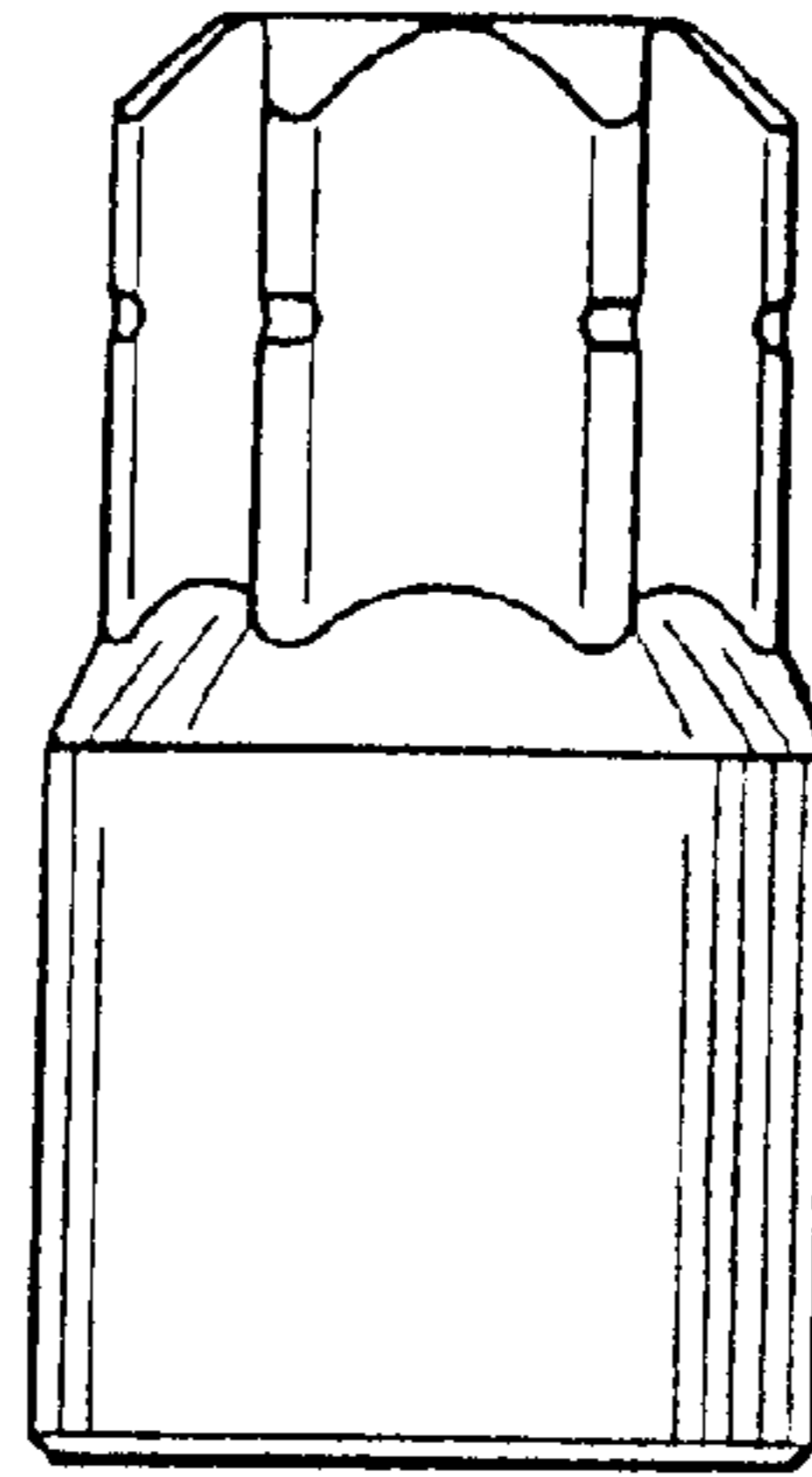


FIG. 2

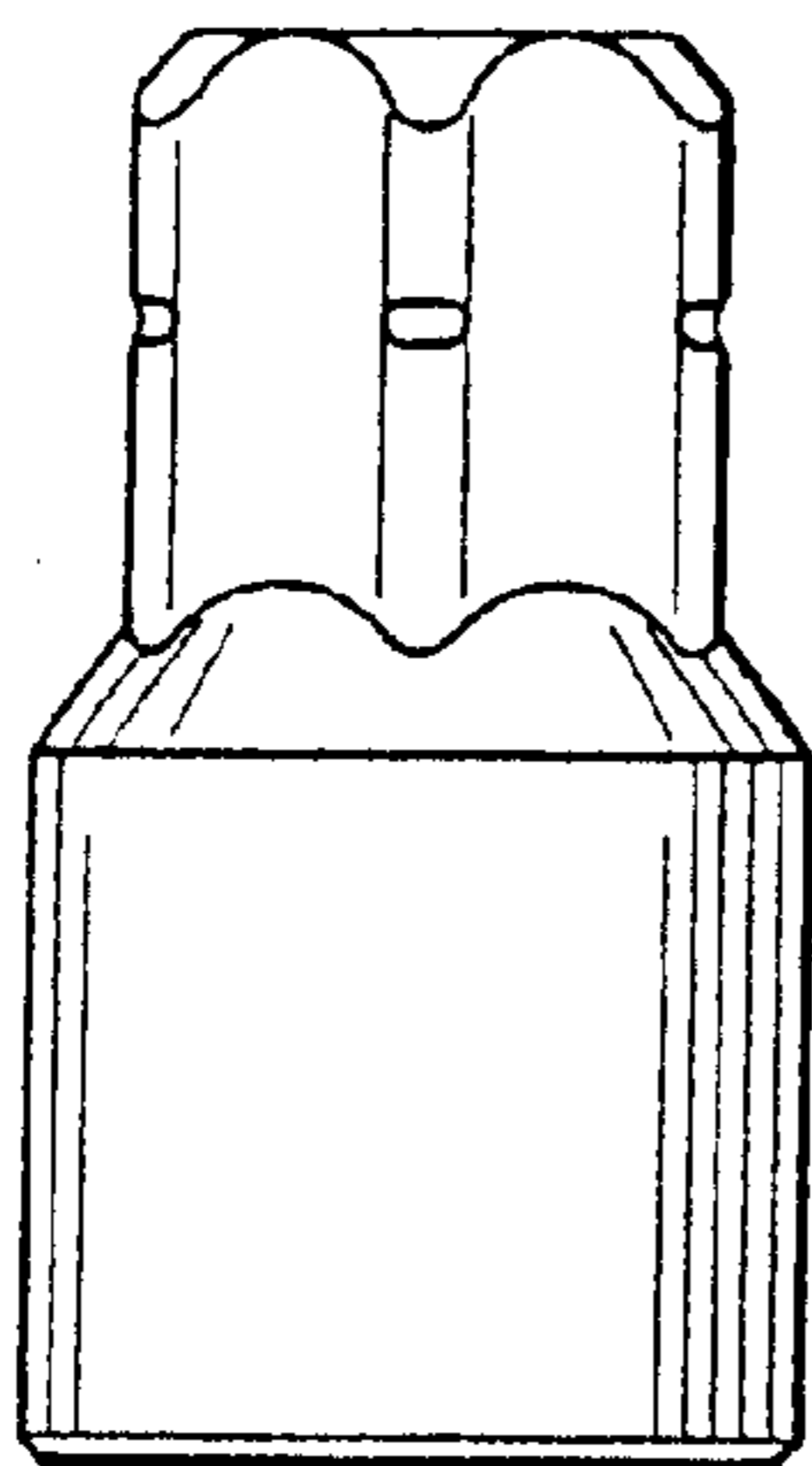


FIG. 5

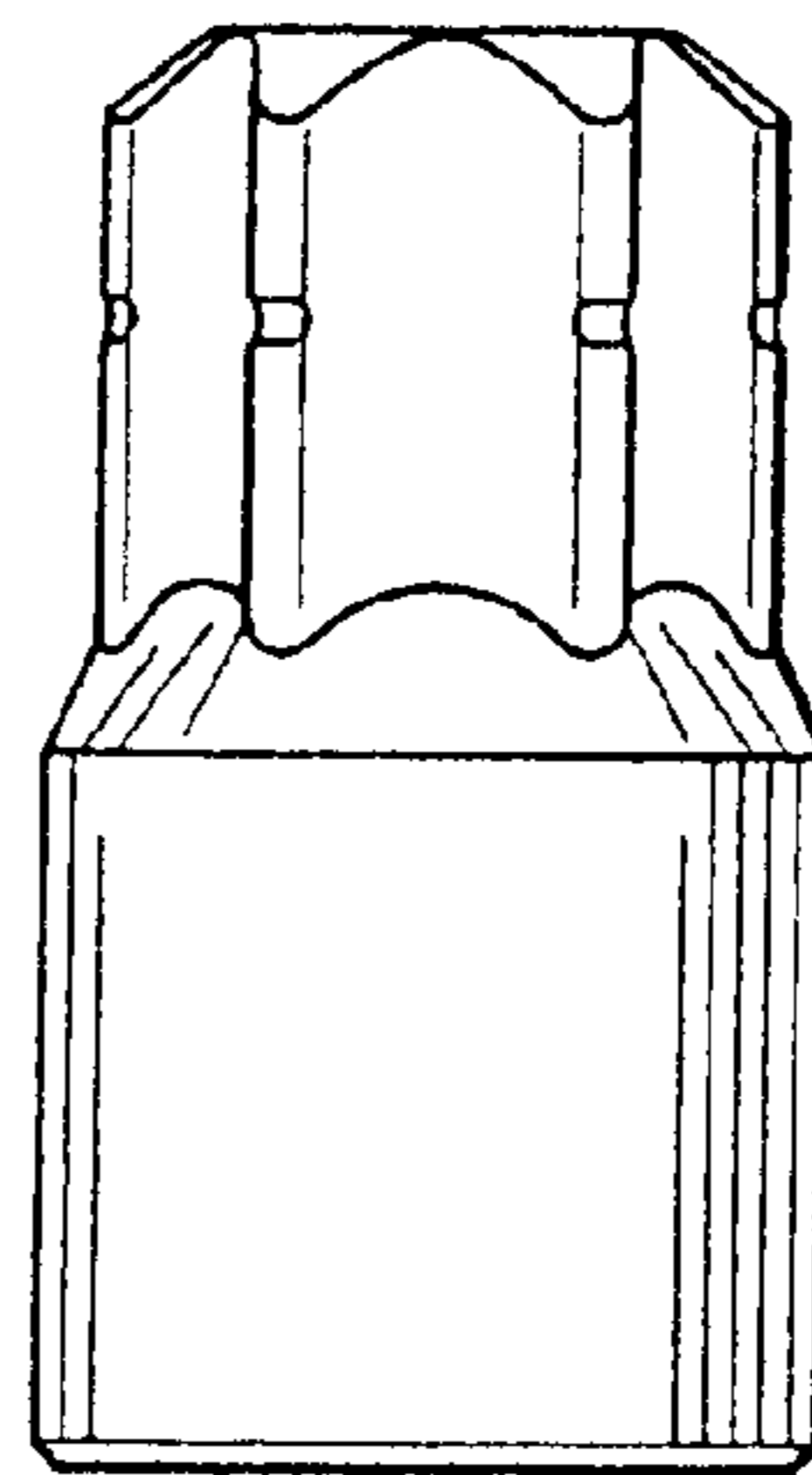


FIG. 3

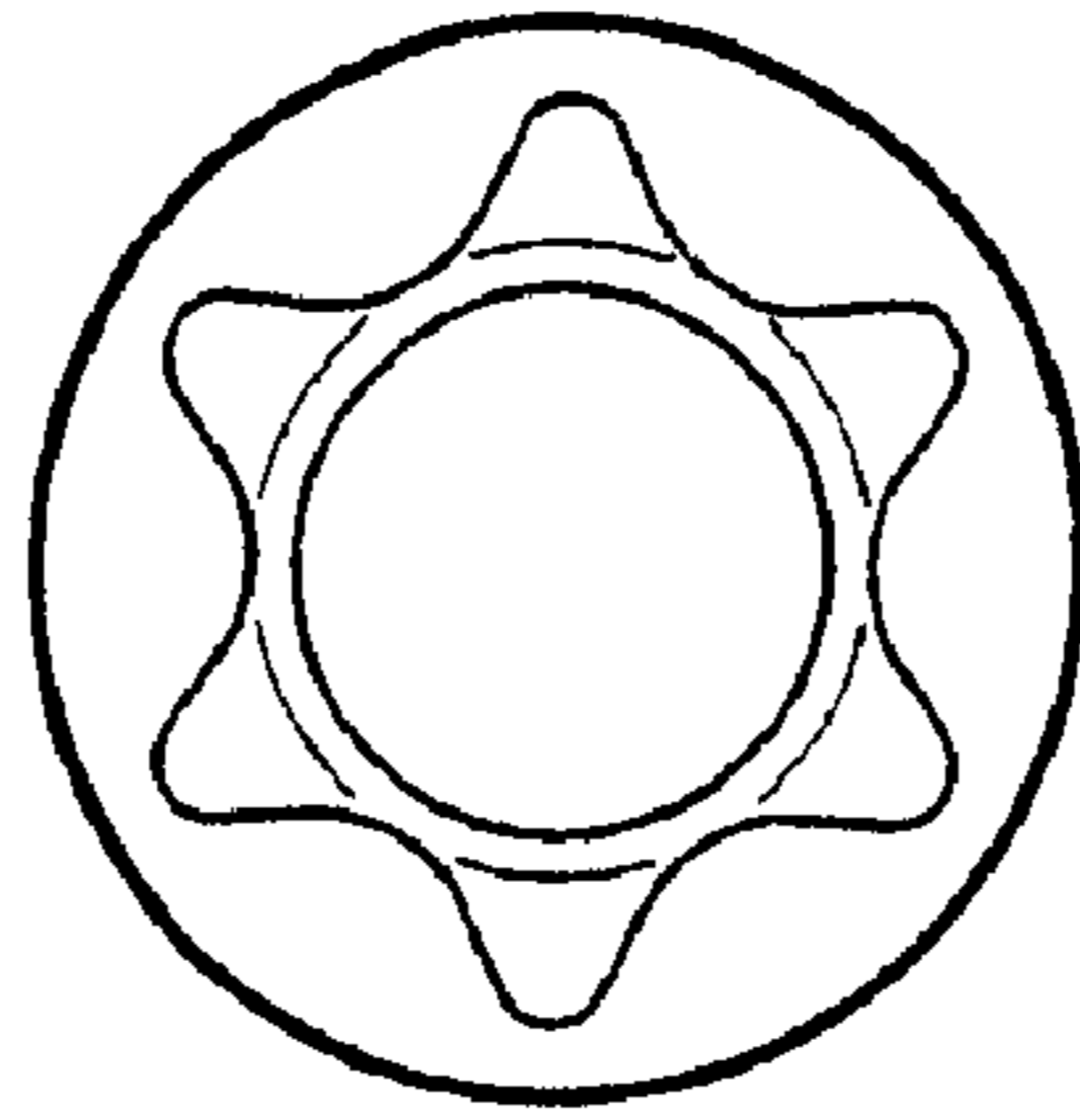


FIG. 6

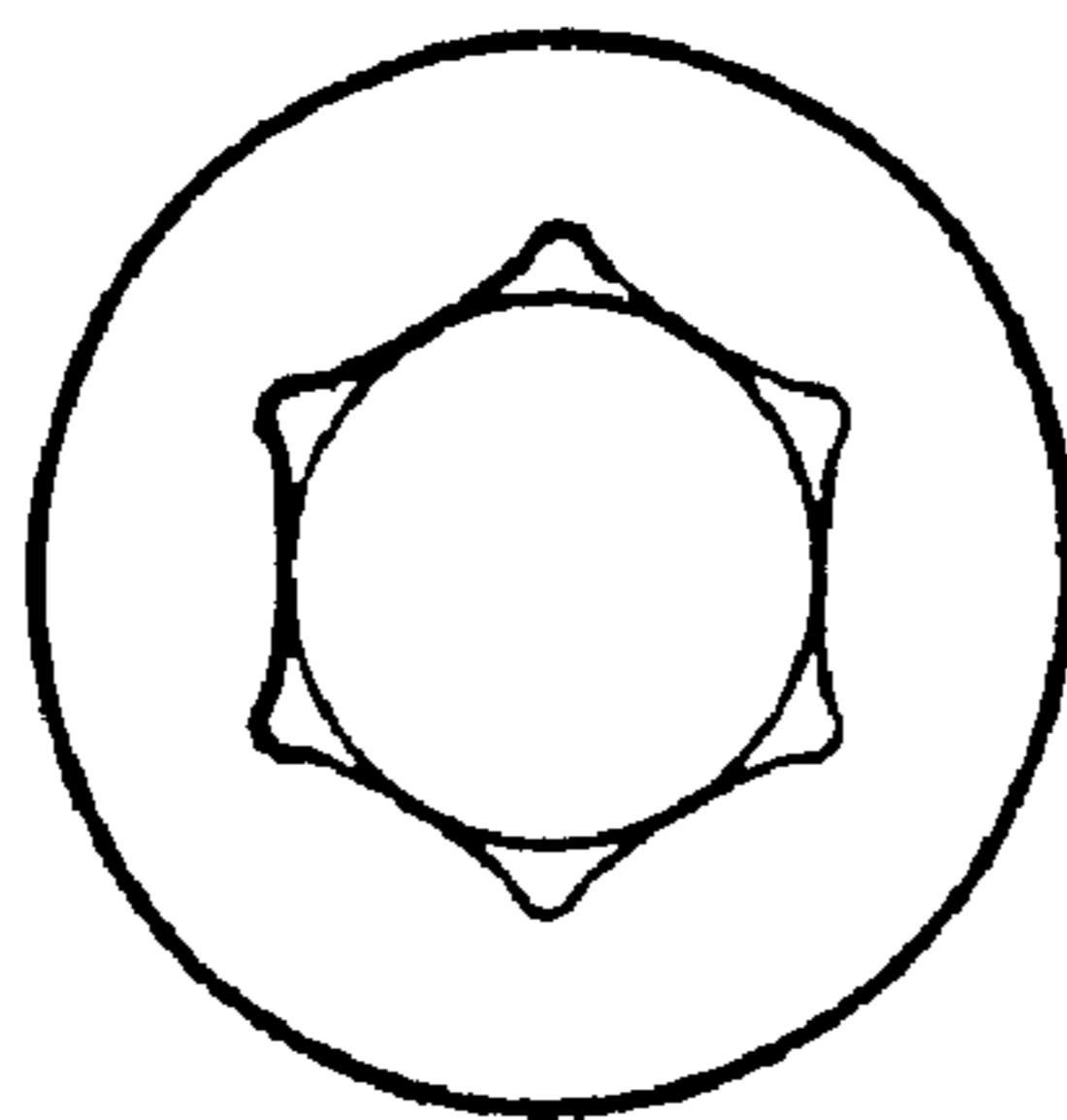


FIG. 7