



US00D522820S

(12) **United States Design Patent**
Chang

(10) **Patent No.:** **US D522,820 S**
(45) **Date of Patent:** **** Jun. 13, 2006**

(54) **SET OF WRENCHES**

(76) Inventor: **Hung-Ming Chang**, 2F, No. 3, La. 63,
Sec. 3, Jungshan Rd., Junghe City,
Taipei Hsien (TW)

(**) Term: **14 Years**

(21) Appl. No.: **29/217,224**

(22) Filed: **Nov. 16, 2004**

(51) **LOC (8) Cl.** **08-05**

(52) **U.S. Cl.** **D8/21**

(58) **Field of Classification Search** D8/17,
D8/21-29, 81-87, 102-107, 98, 99, 55, 93,
D8/94; 81/60-63.2, 165, 170, 177.1, 489,
81/3.35, 3.45, 58, 155; 7/100, 138, 168, 157;
D10/2, 15

See application file for complete search history.

(56) **References Cited**

U.S. PATENT DOCUMENTS

D383,048 S	*	9/1997	Sorensen et al.	D8/107
D415,201 S	*	10/1999	Leins	D19/65
5,970,828 A	*	10/1999	Bondhus et al.	81/440
D427,875 S	*	7/2000	Chiu	D8/105
6,085,620 A	*	7/2000	Anderson et al.	81/440
D437,541 S	*	2/2001	Hermansen et al.	D8/105
D455,630 S	*	4/2002	Chiu	D8/105
D472,931 S	*	4/2003	Leins	D8/65

D474,507 S	*	5/2003	Leins	D19/65
6,564,678 B1	*	5/2003	Wang	81/124.4
D479,963 S	*	9/2003	Chang	D8/21
6,751,819 B1	*	6/2004	Chuang	7/100
D510,106 S	*	9/2005	Leins	D19/65

OTHER PUBLICATIONS

Leisure Pro: Divers Emporium cat. dated 2001 p. 173.*

* cited by examiner

Primary Examiner—Raphael Barkai

Assistant Examiner—Randall H. Gholson

(74) *Attorney, Agent, or Firm*—Birch, Stewart, Kolasch & Birch, LLP

(57) **CLAIM**

The ornamental design for “set of wrenches,” as shown and described.

DESCRIPTION

FIG. 1 is a perspective view of “set of wrenches” showing my new design thereof;

FIG. 2 is a right side elevational view thereof;

FIG. 3 is a top plan view thereof;

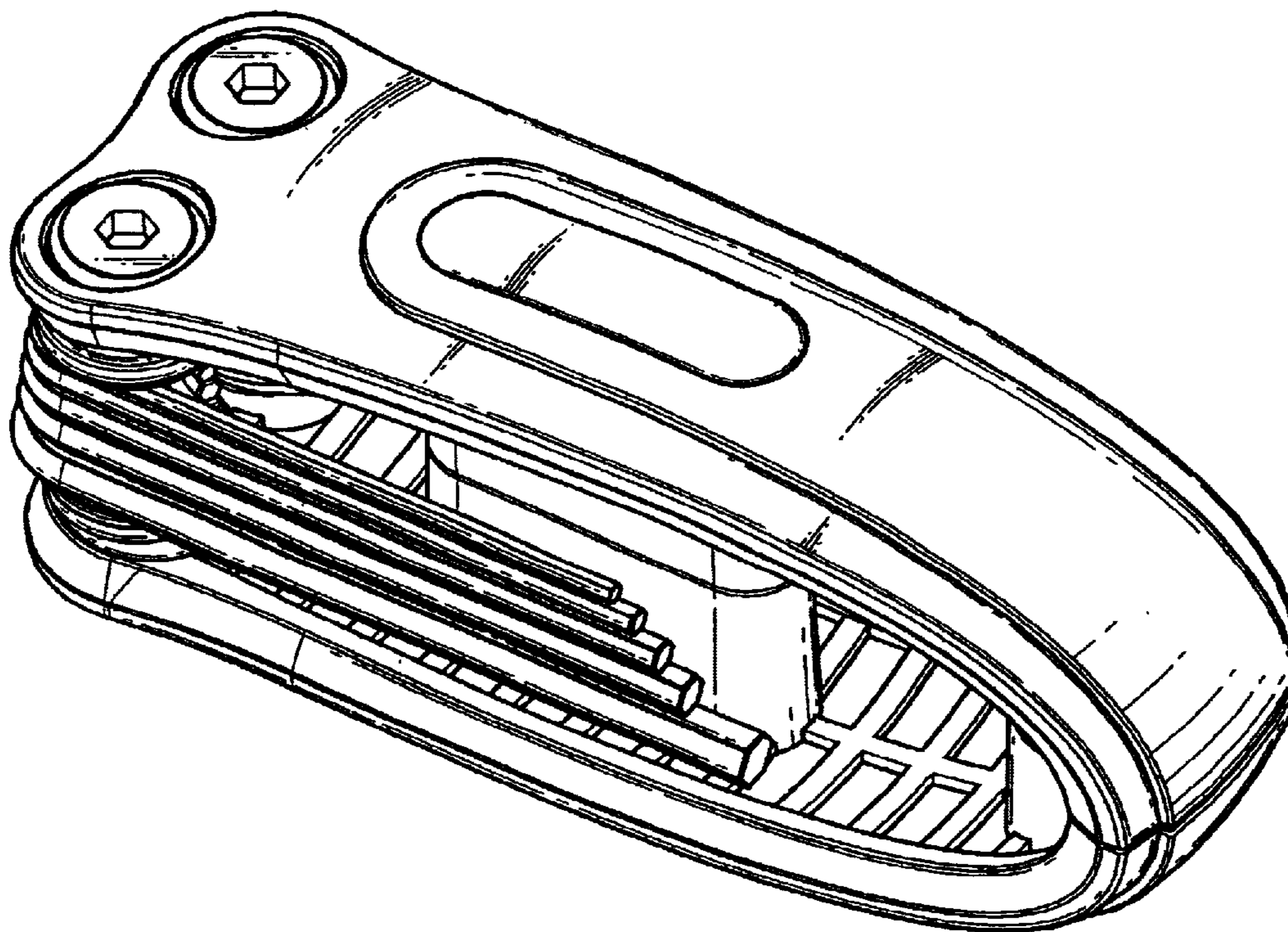
FIG. 4 is a front side elevational view thereof;

FIG. 5 is a bottom plan view thereof;

FIG. 6 is a left side elevational view thereof; and,

FIG. 7 is a rear side elevational view thereof.

1 Claim, 4 Drawing Sheets



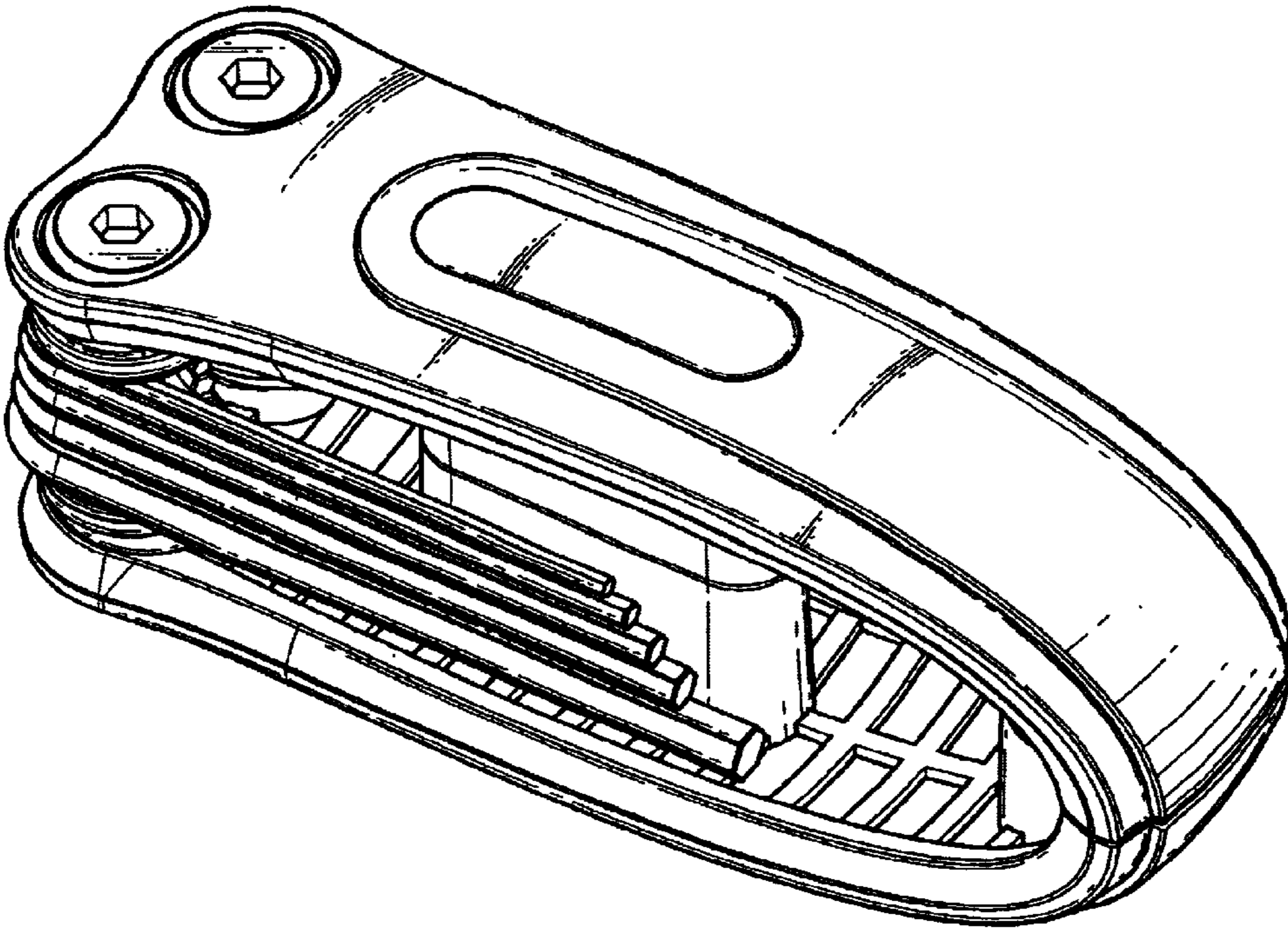


Fig.1

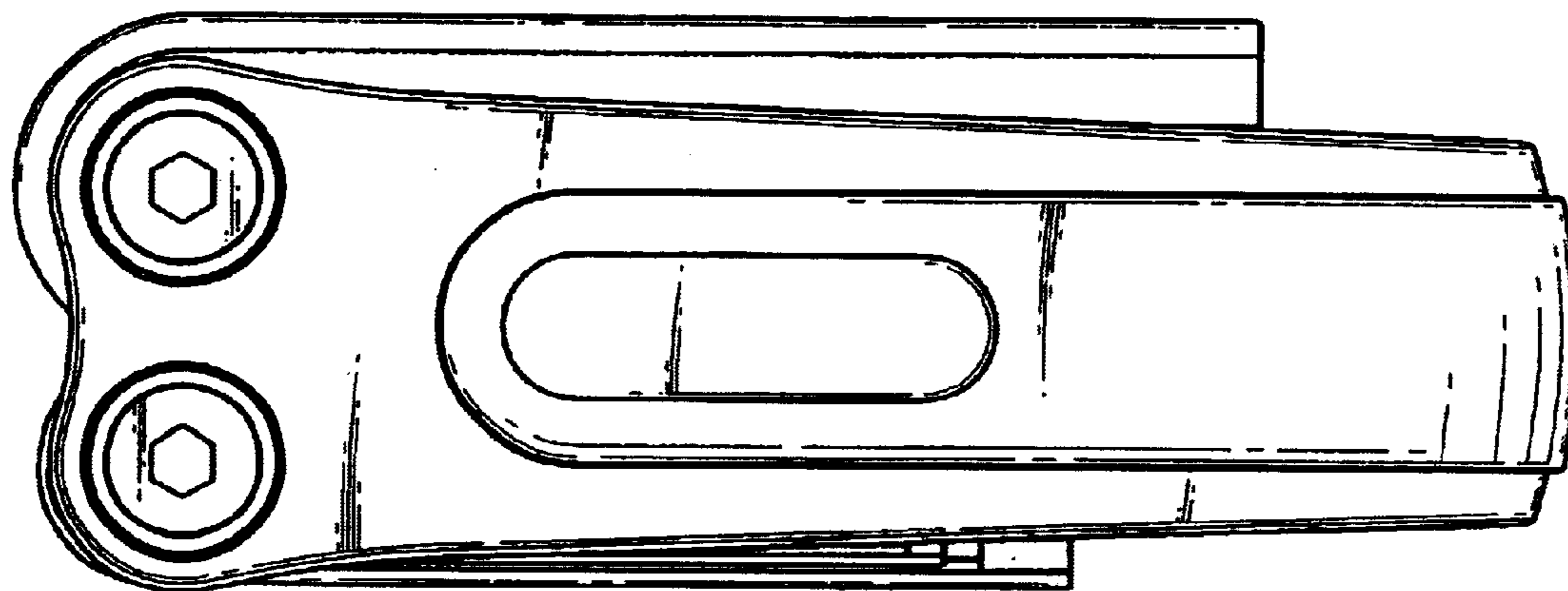


Fig.3

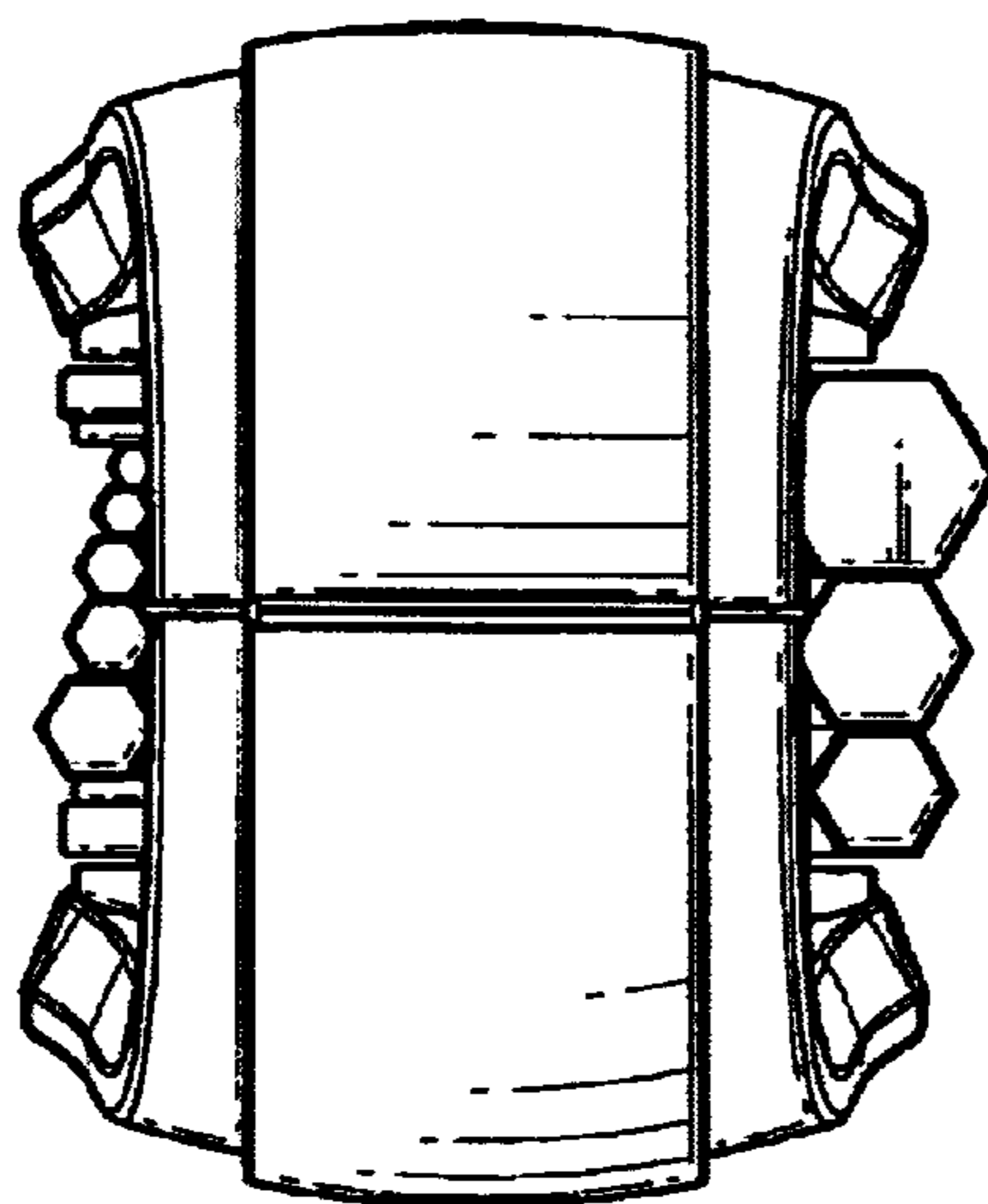


Fig.2

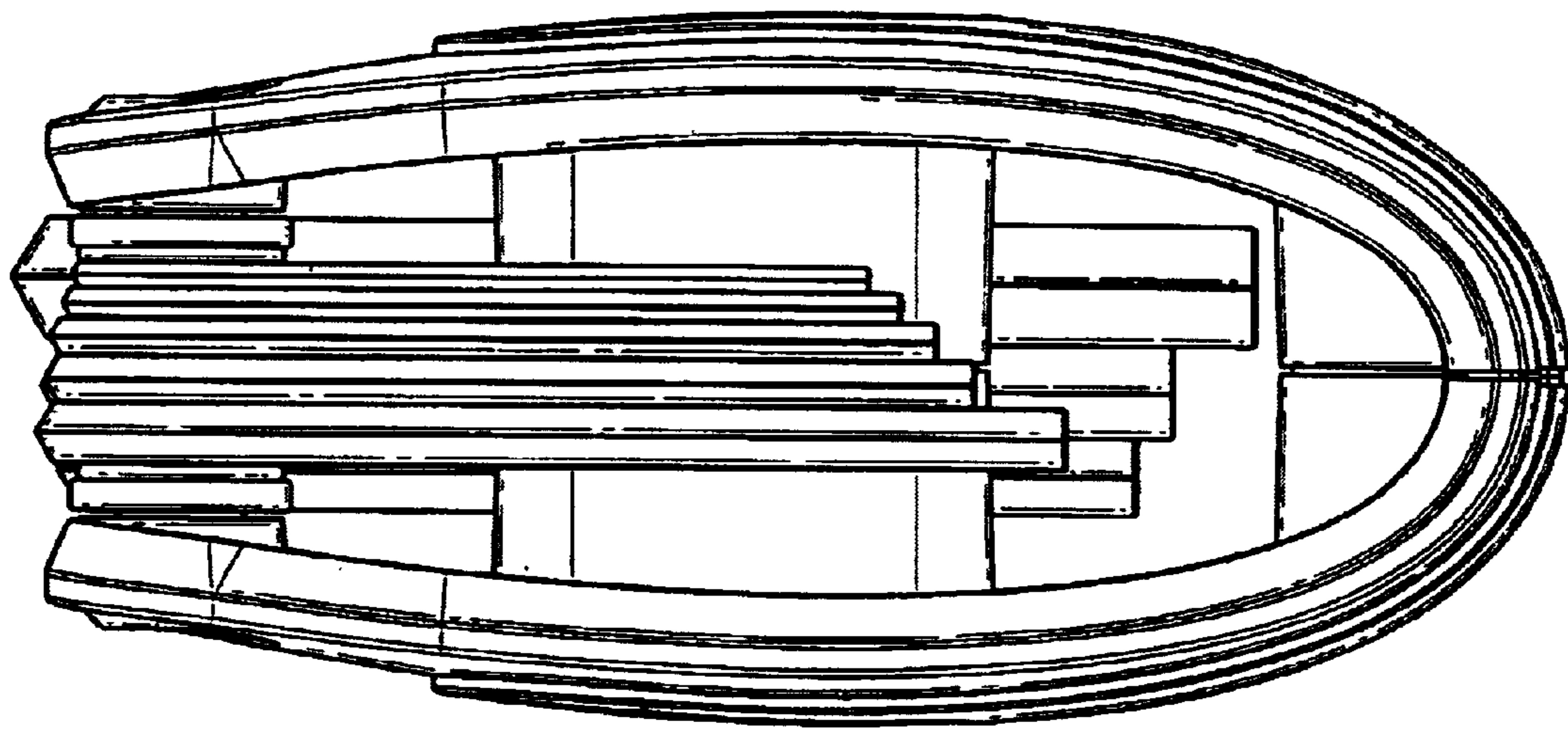


Fig.4

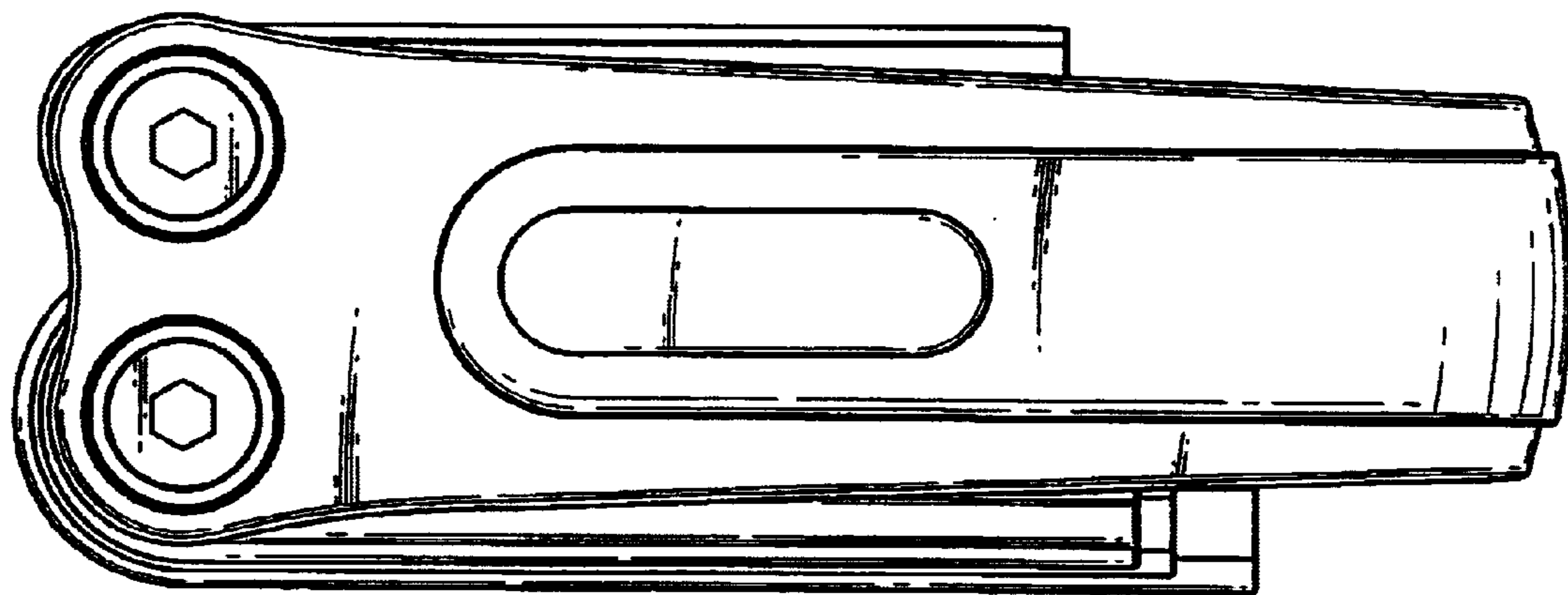


Fig.5

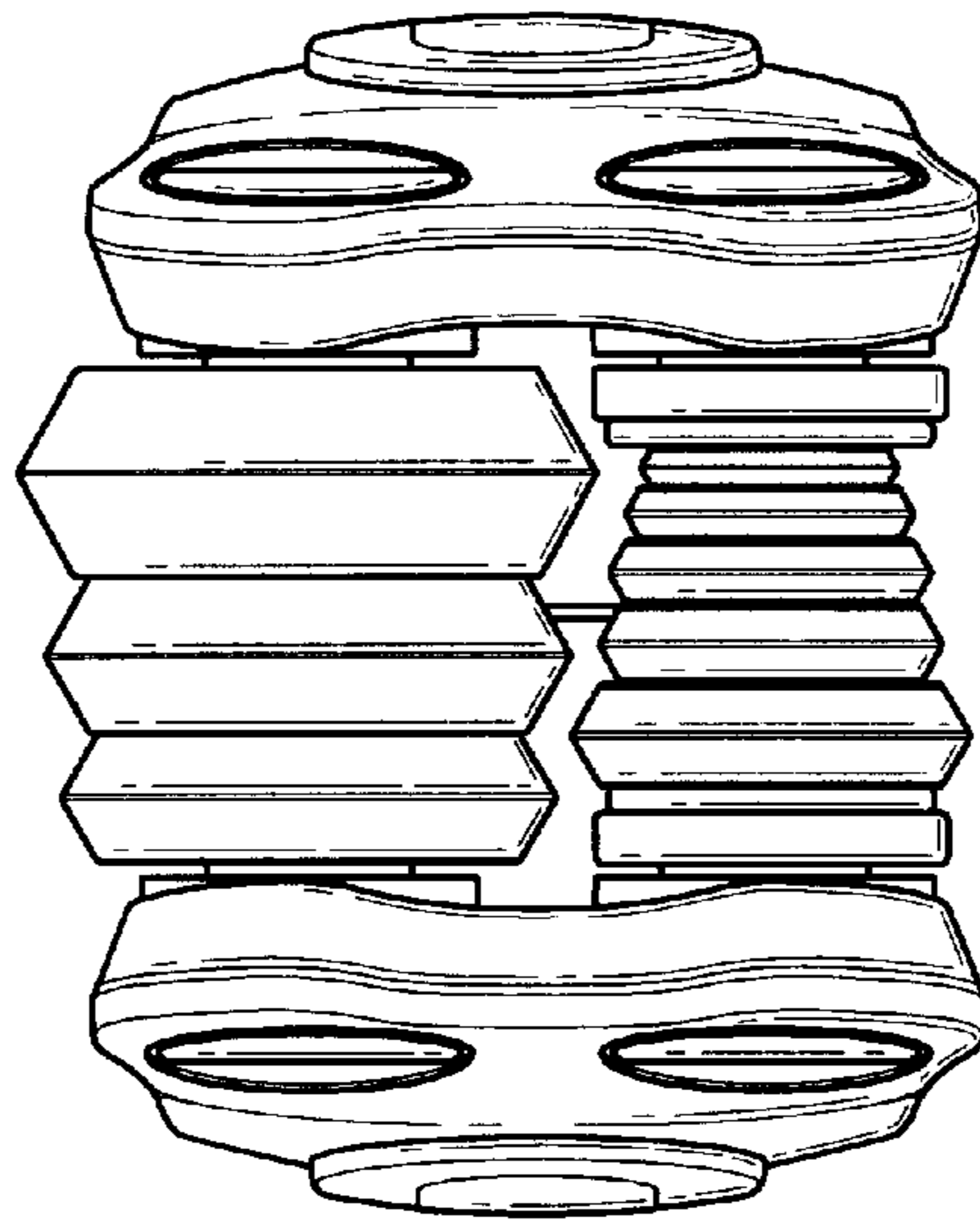


Fig. 6

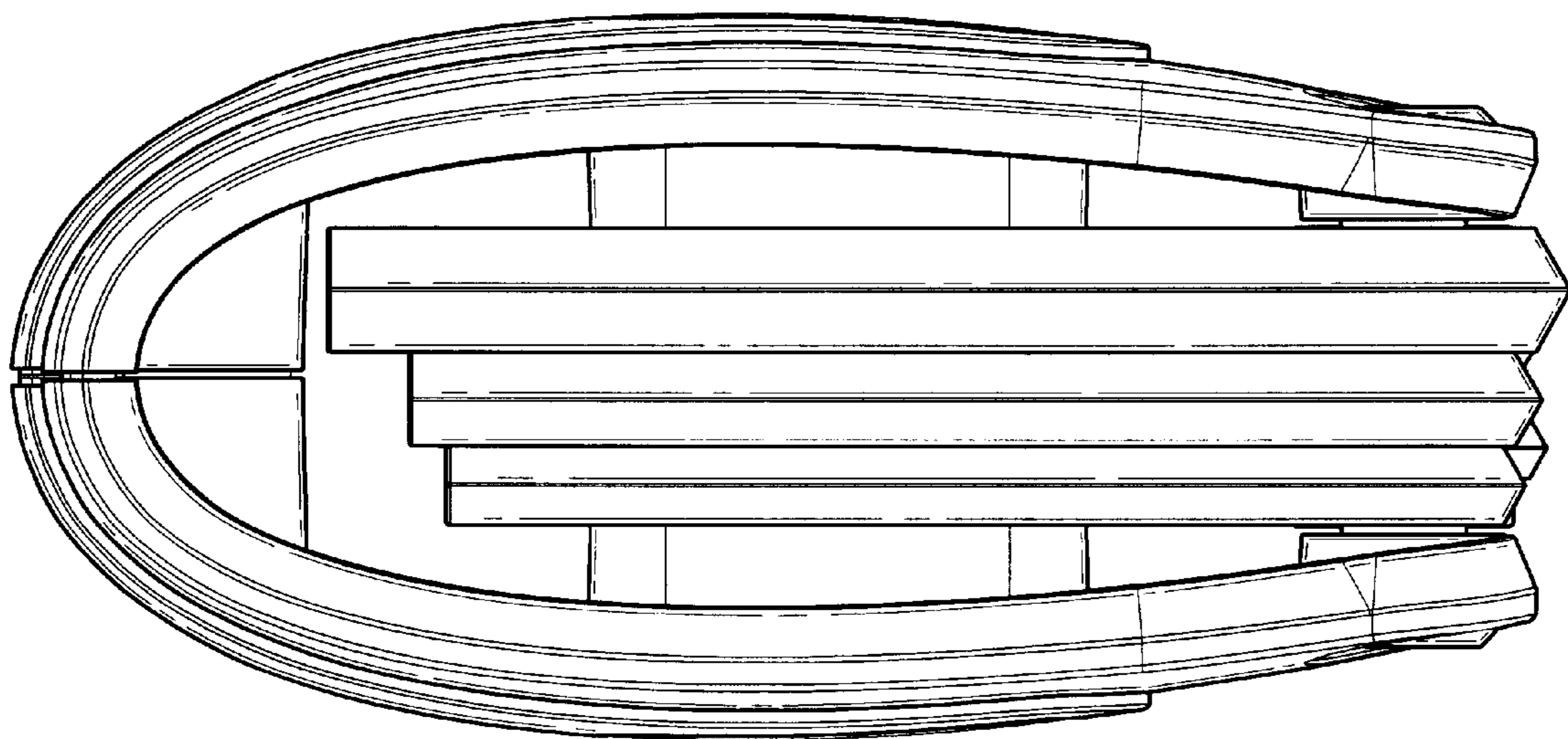


Fig. 7