



US00D522818S

(12) **United States Design Patent**
Andriolo

(10) **Patent No.:** **US D522,818 S**
(45) **Date of Patent:** **** Jun. 13, 2006**

(54) **HEDGE TRIMMER**
(75) Inventor: **Paolo Andriolo**, Suzhou (CN)
(73) Assignee: **Positec Power Tools (Suzhou) Co., Ltd.** (CN)
(**) Term: **14 Years**

D388,291 S * 12/1997 Gildersleeve D8/8
D468,600 S * 1/2003 Evans D8/8
D473,116 S * 4/2003 Jong D8/8

* cited by examiner

Primary Examiner—Holly H. Baynham

(74) *Attorney, Agent, or Firm*—Factor & Lake

(21) Appl. No.: **29/227,342**
(22) Filed: **Apr. 8, 2005**

(57) **CLAIM**

The ornamental design for a hedge trimmer, as shown and described.

(30) **Foreign Application Priority Data**

Oct. 21, 2004 (CN) 200430101285

DESCRIPTION

(51) **LOC (8) Cl.** **08-01**
(52) **U.S. Cl.** **D8/8**
(58) **Field of Classification Search** D8/8;
30/216; 56/12.7

FIG. 1 is a perspective view of a hedge trimmer showing my new design;
FIG. 2 is a right plan view thereof;
FIG. 3 is a left plan view thereof;
FIG. 4 is a bottom plan view thereof;
FIG. 5 is a top plan view thereof;
FIG. 6 is an end view thereof; and,
FIG. 7 is an opposite end view thereof.
Any broken line showing of environmental structure in FIGS. 1–7 is for illustrative purposes only and forms no part of the claimed design.

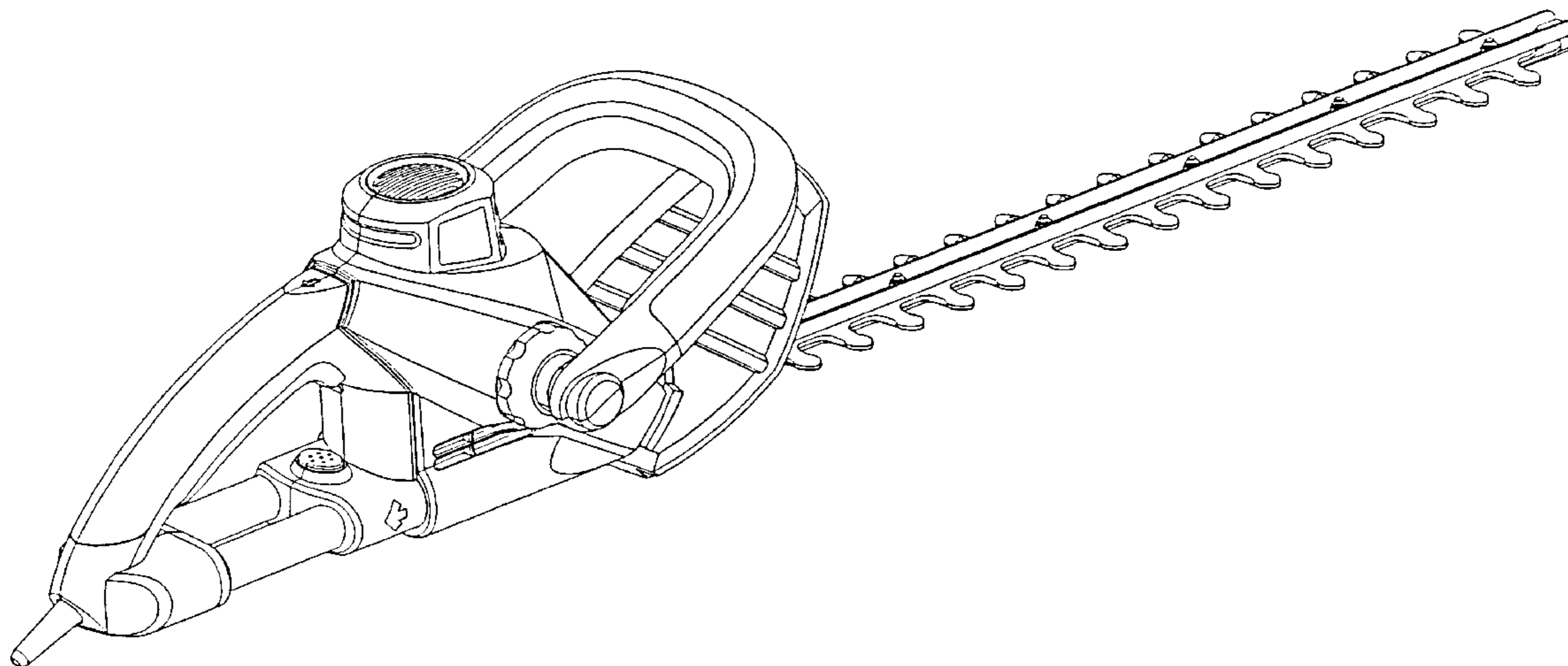
See application file for complete search history.

(56) **References Cited**

U.S. PATENT DOCUMENTS

D365,256 S * 12/1995 Griffin et al. D8/8
D372,407 S * 8/1996 Haneda et al. D8/8
D376,740 S * 12/1996 Gildersleeve D8/8

1 Claim, 4 Drawing Sheets



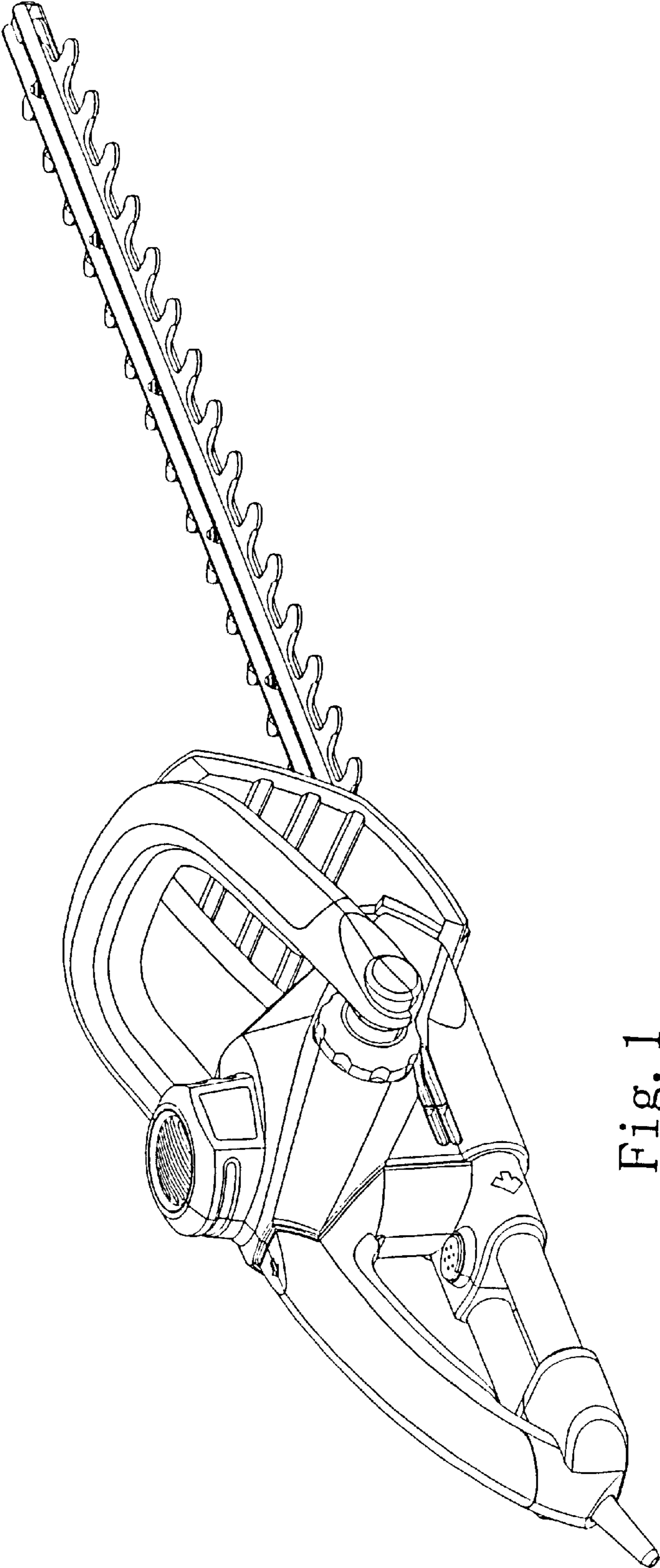


Fig. 1

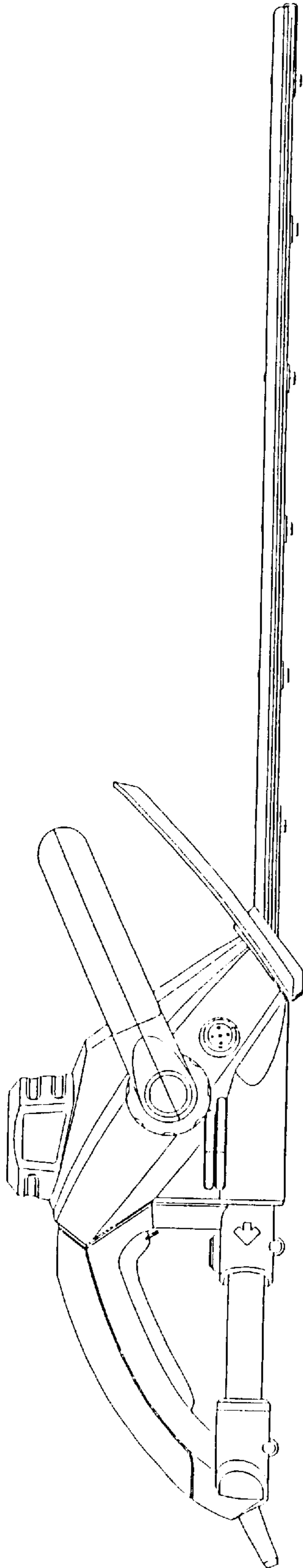


Fig. 2

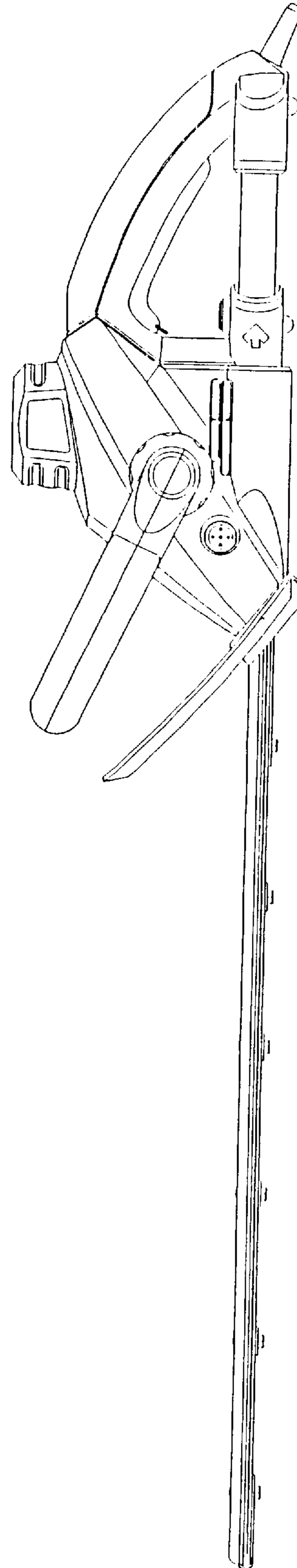


Fig. 3

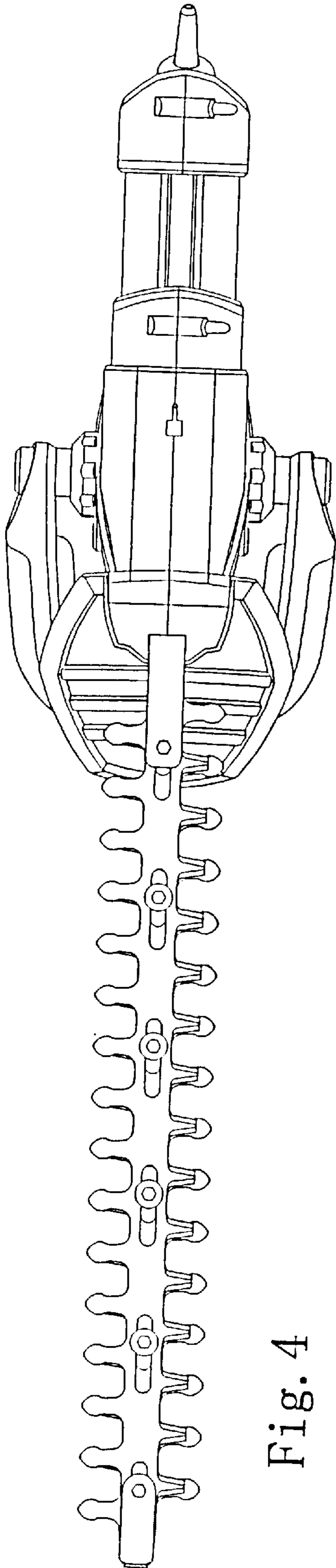


Fig. 4

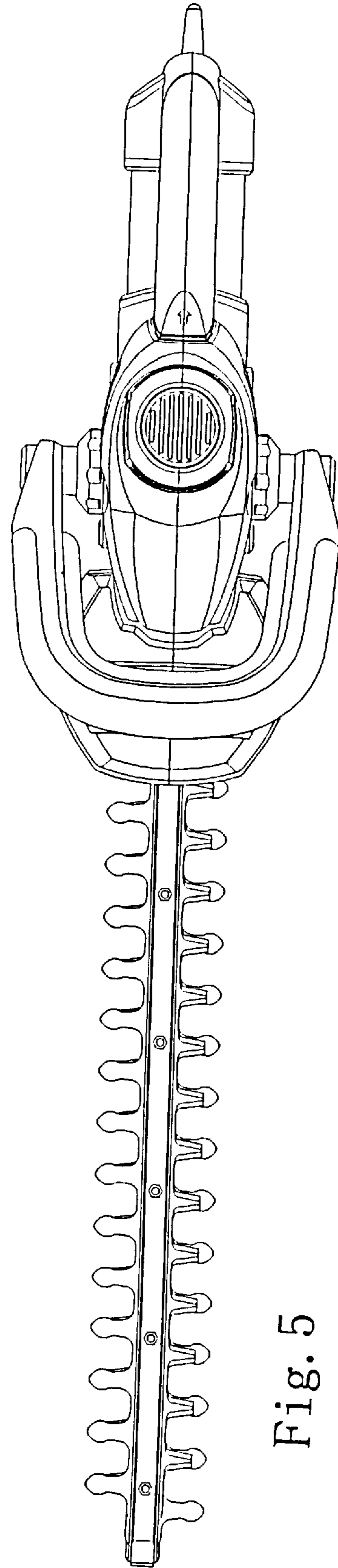


Fig. 5

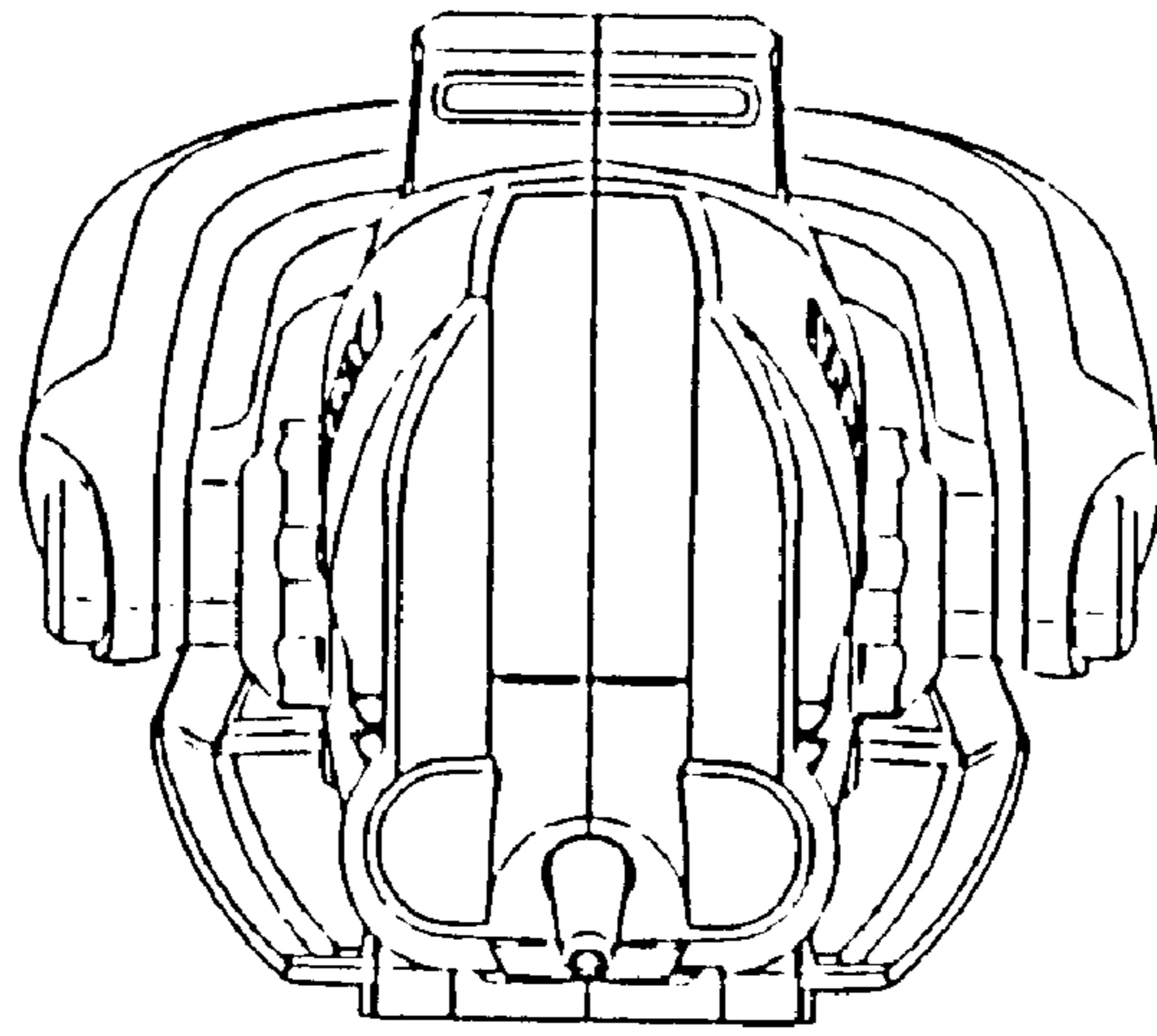


Fig. 6

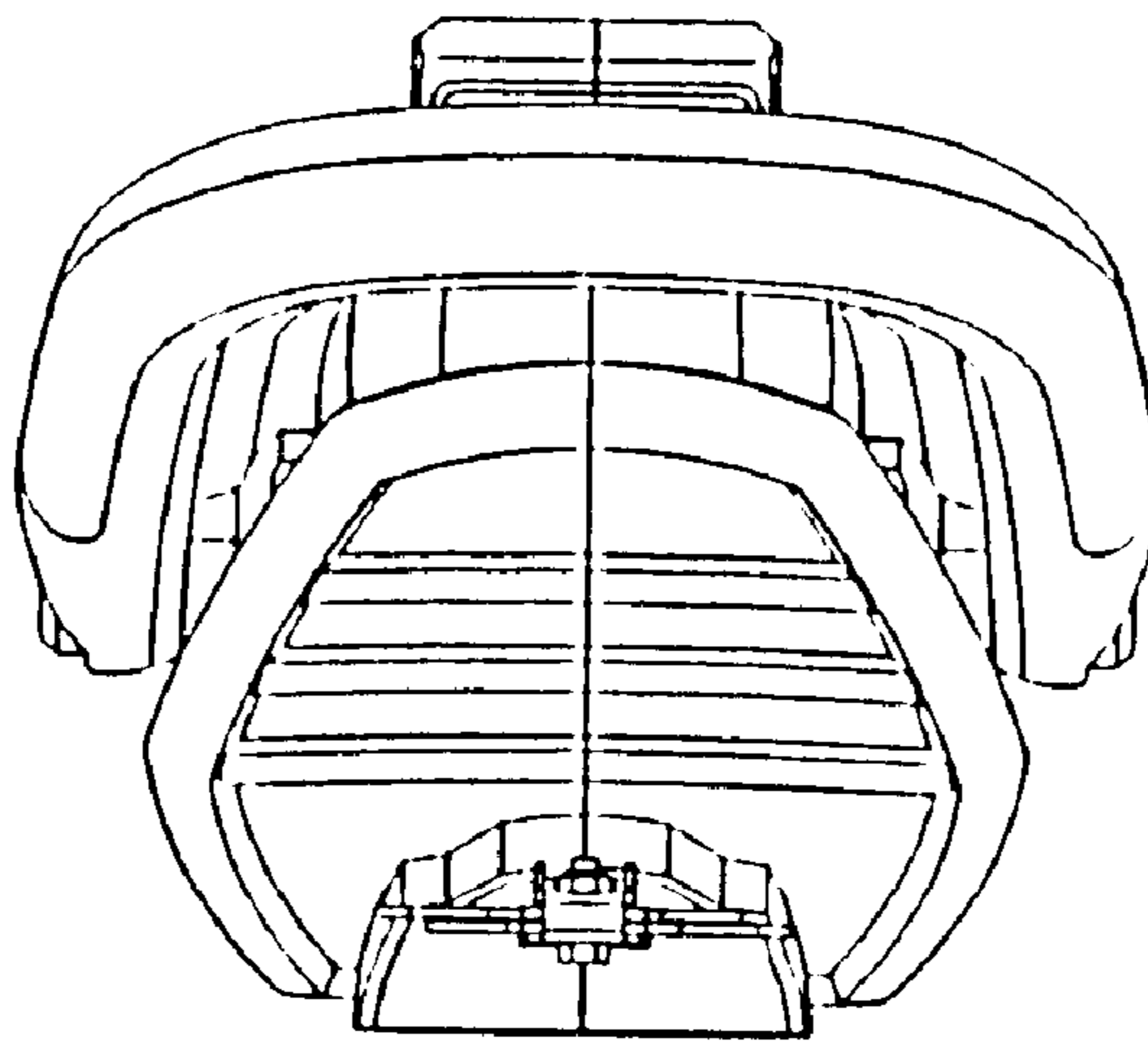


Fig. 7