



US00D522816S

(12) **United States Design Patent**
Schuler

(10) **Patent No.:** **US D522,816 S**

(45) **Date of Patent:** **** Jun. 13, 2006**

(54) **FOOD JAR**

D503,589 S * 4/2005 Schuler D7/608

(75) Inventor: **Daniel Schuler**, Chicago, IL (US)

* cited by examiner

(73) Assignee: **Thermos, L.L.C.**, Rolling Meadows, IL (US)

Primary Examiner—Terry A. Wallace

(74) *Attorney, Agent, or Firm*—Wood, Phillips, Katz, Clark & Mortimer

(**) Term: **14 Years**

(57) **CLAIM**

(21) Appl. No.: **29/219,759**

The ornamental design of a food jar, as shown and described.

(22) Filed: **Dec. 21, 2004**

DESCRIPTION

(51) **LOC (8) Cl.** **07-01**

FIG. 1 is a perspective view from above of the food jar design;

(52) **U.S. Cl.** **D7/629; D7/608**

FIG. 2 is a perspective view from below of the food jar design;

(58) **Field of Classification Search** D7/608,
D7/629, 312–322; 62/457.1–457.7; 215/12.1,
215/12.2, 13.1, 6, 396, 398; 206/216, 217,
206/223, 541; 220/596.16, 592.17, 592.22,
220/592.23, 592.27

FIG. 3 is a back view of the food jar design;

FIG. 4 is a front view of the food jar design;

FIG. 5 is a right side elevation view of the food jar design, with the left side elevational being a mirror image of FIG. 5;

See application file for complete search history.

FIG. 6 is a top view of the food jar design; and,

FIG. 7 is a bottom view of the food jar design.

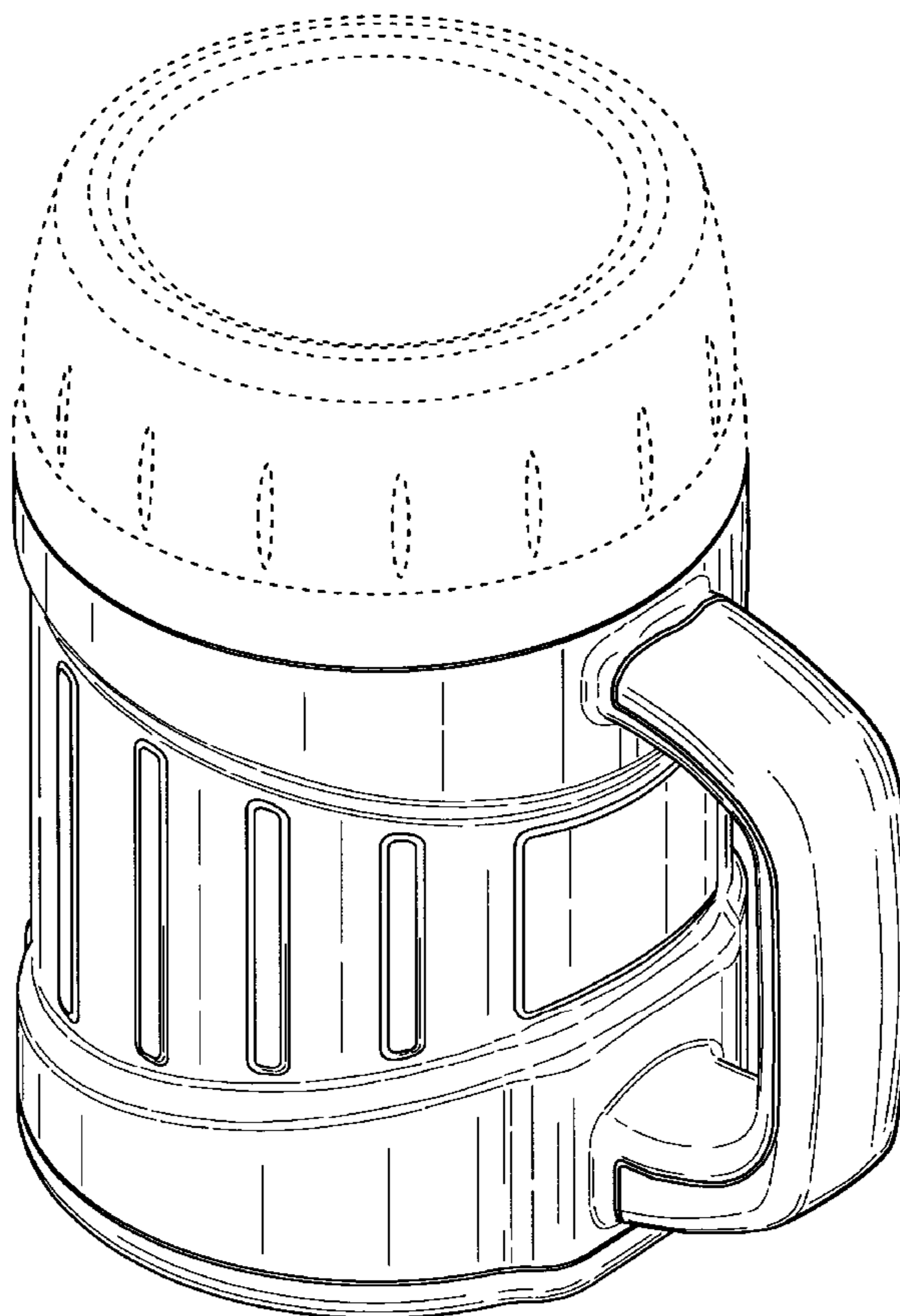
It is to be understood that parts shown in dotted lines form no part of my inventive food jar design.

(56) **References Cited**

U.S. PATENT DOCUMENTS

D479,785 S * 9/2003 Schuler D7/629

1 Claim, 4 Drawing Sheets



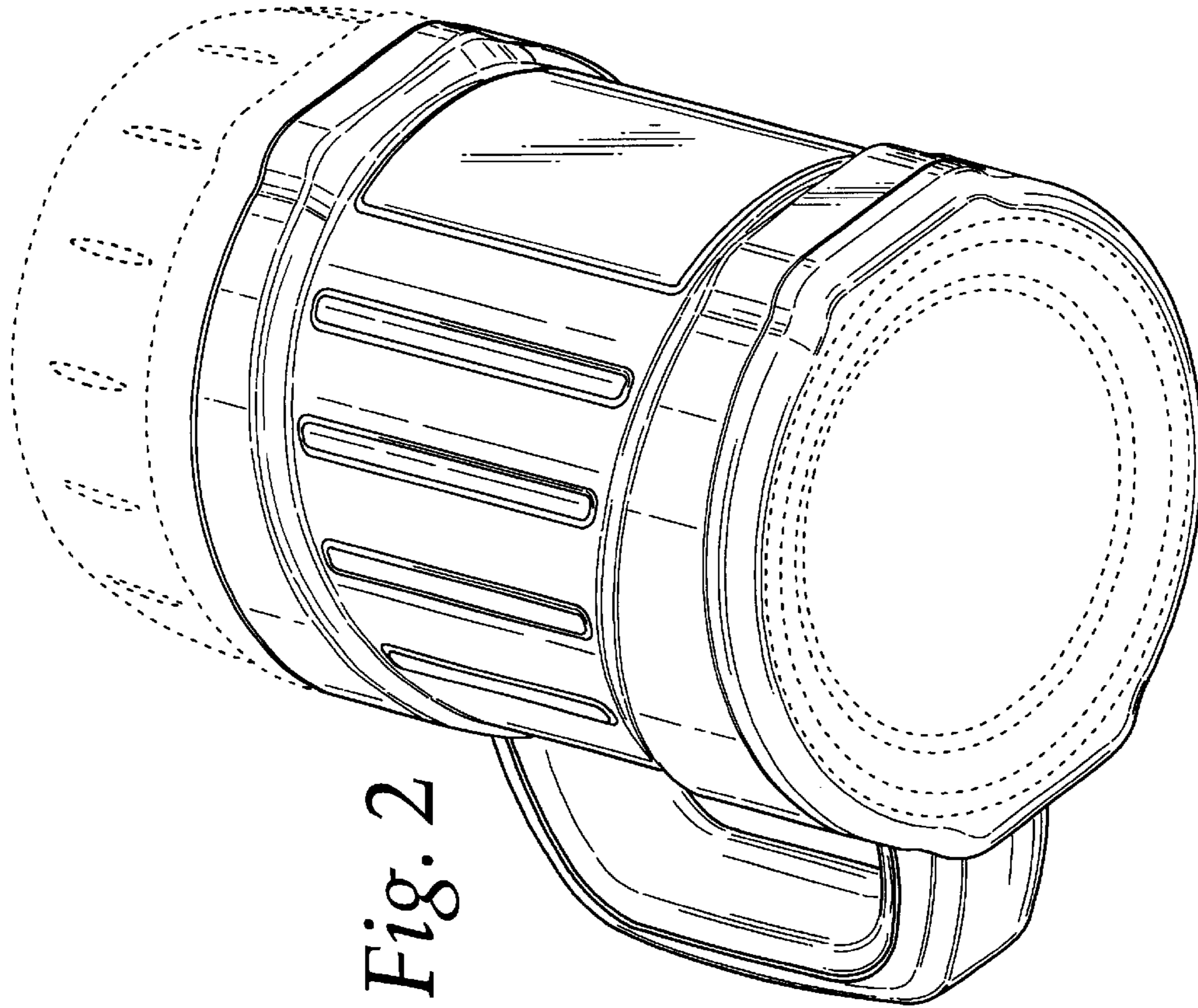


Fig. 2

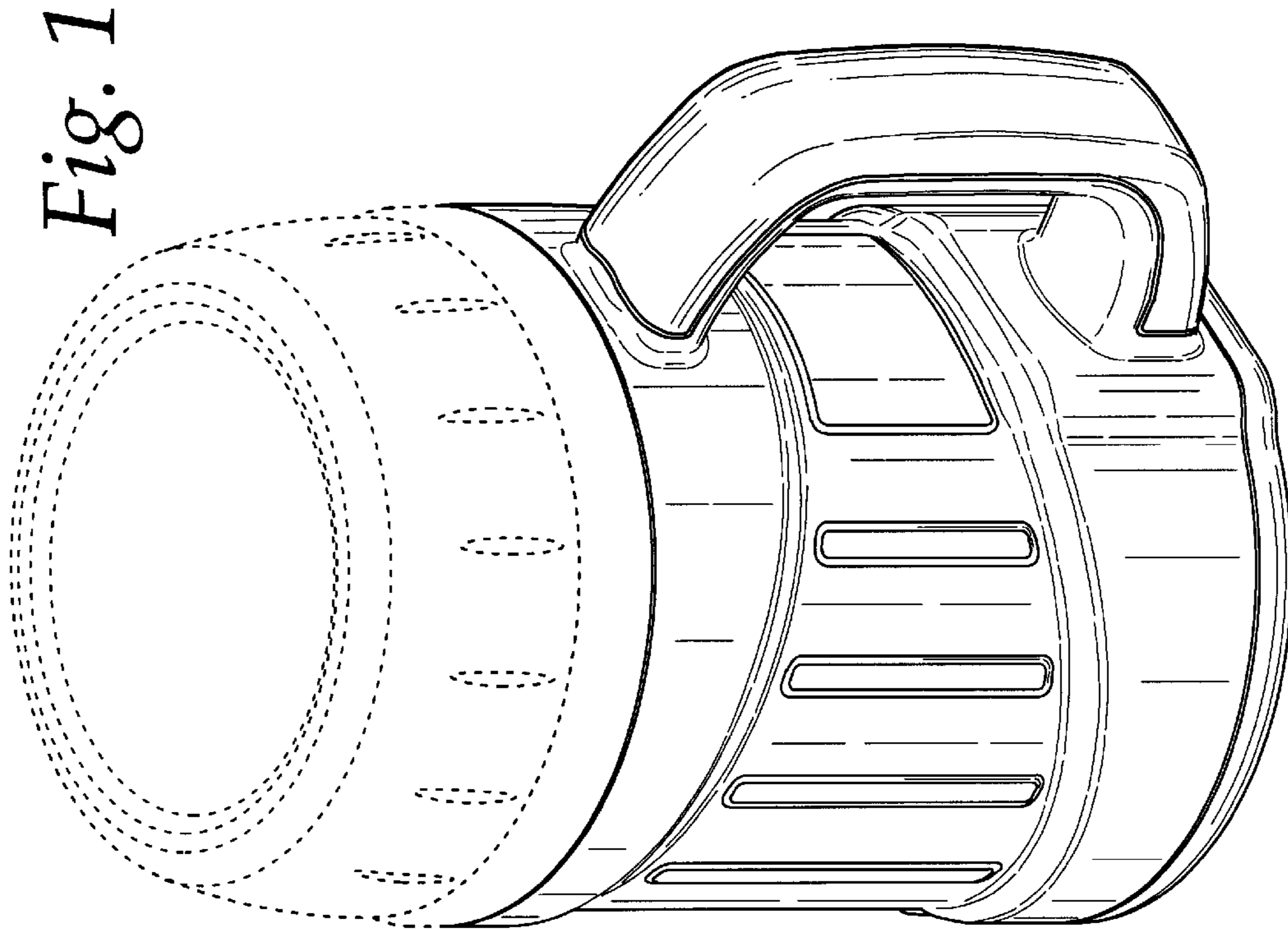


Fig. 1

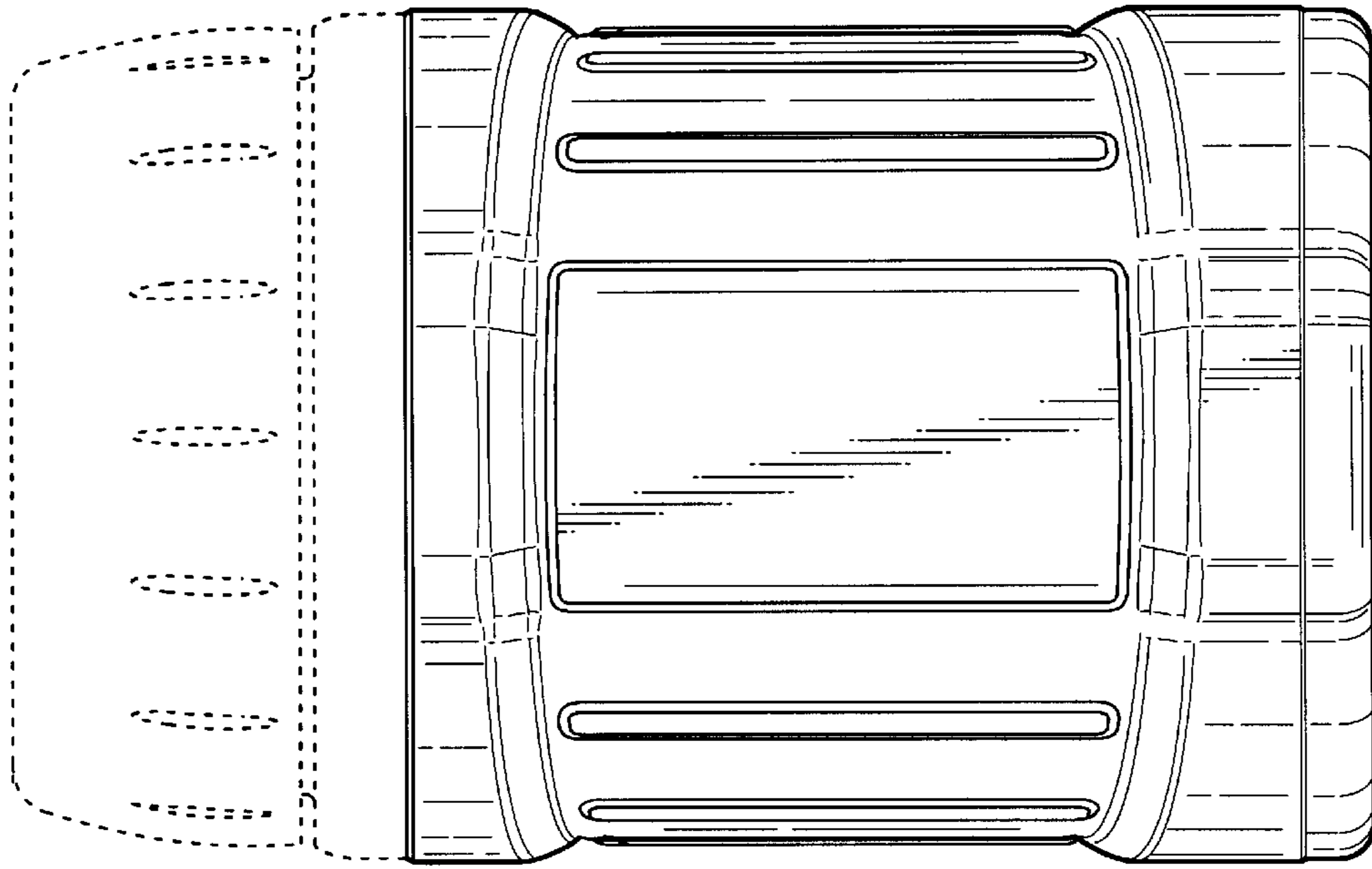


Fig. 3

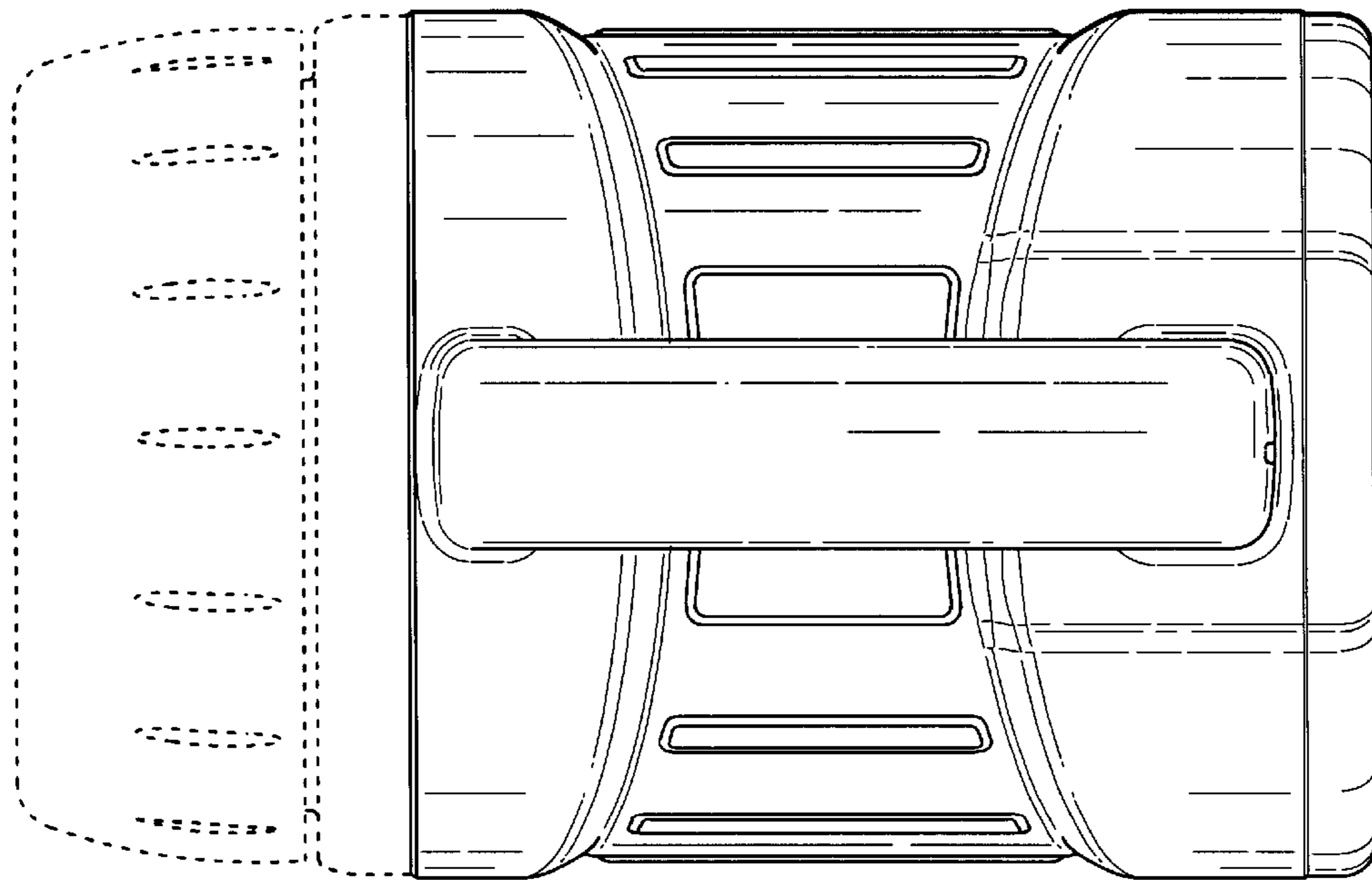
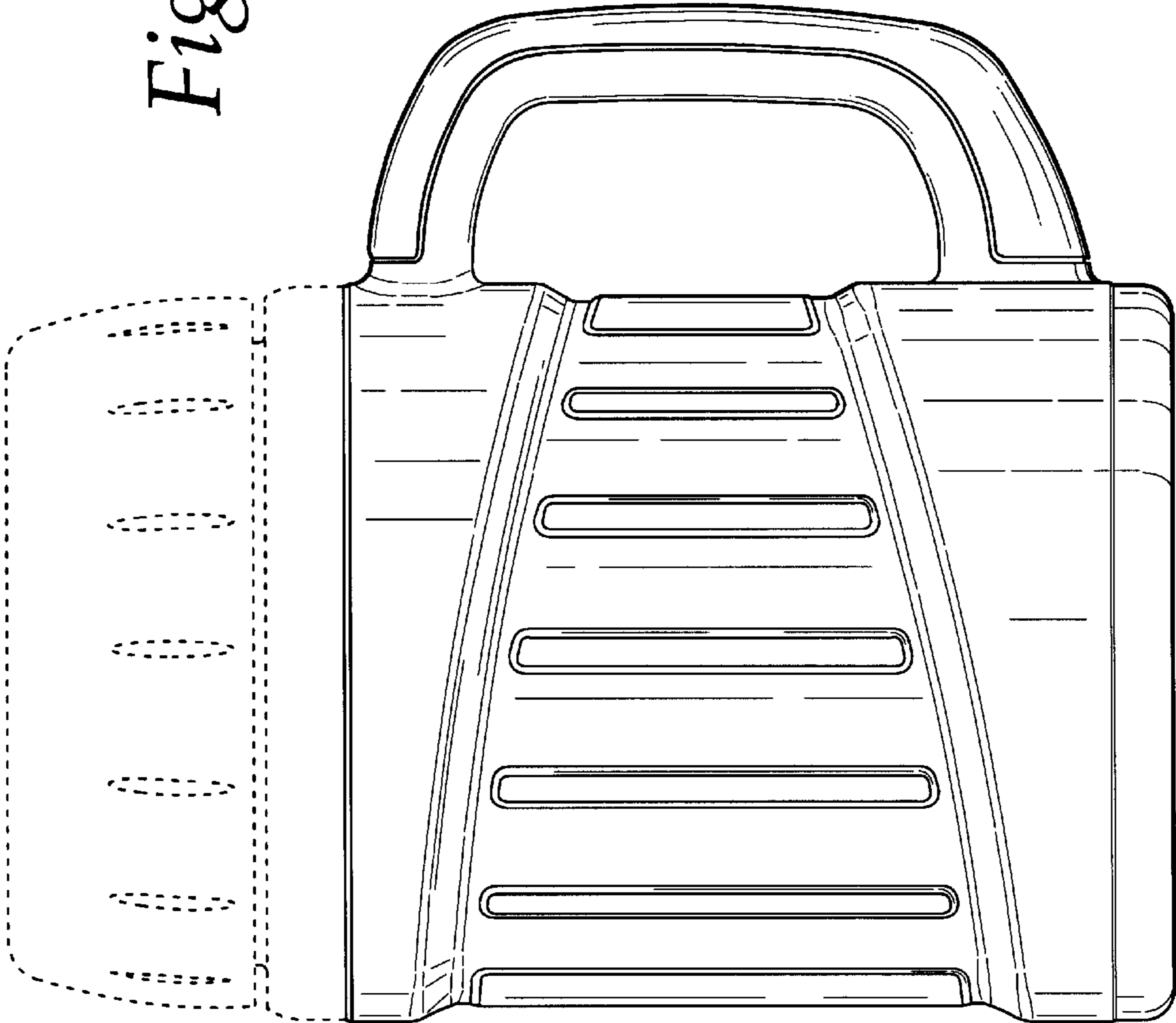


Fig. 4

Fig. 5



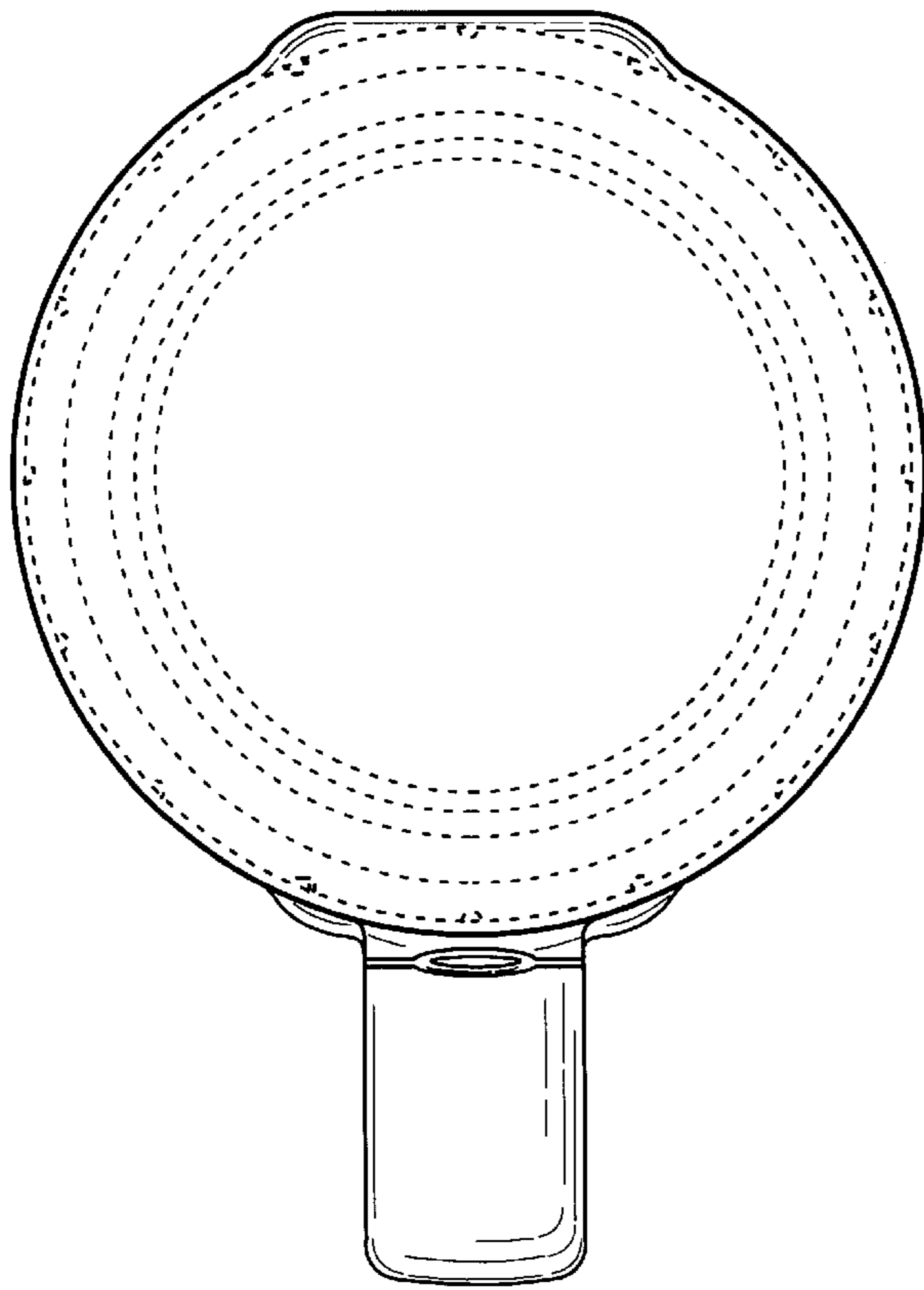


Fig. 6

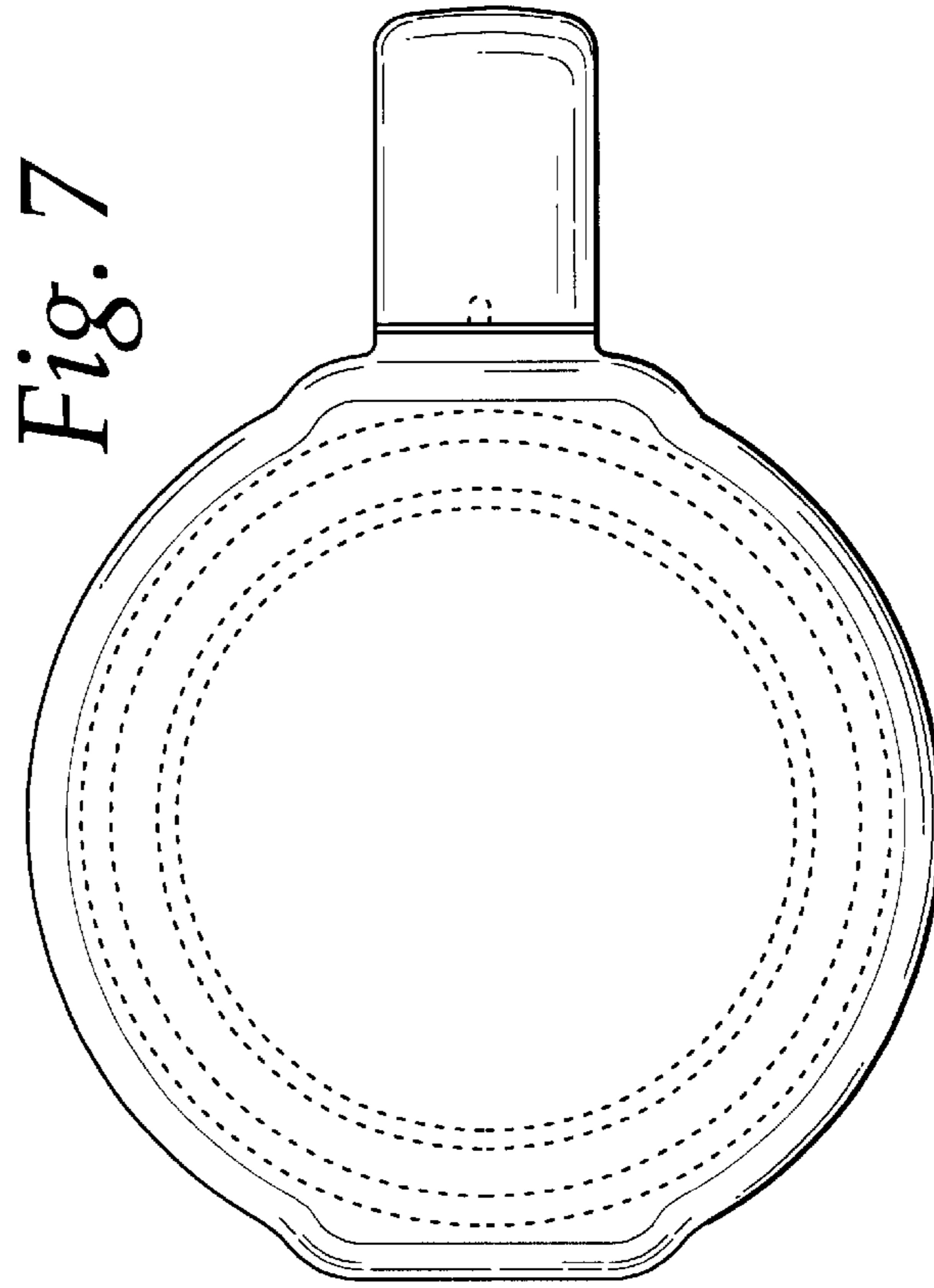


Fig. 7