



US00D522814S

(12) **United States Design Patent** (10) **Patent No.:** **US D522,814 S**
McMichael (45) **Date of Patent:** **** Jun. 13, 2006**

(54) **DRINK HOLDER**

(76) Inventor: **Scott A. McMichael**, 201 Grandview Cir., Mead, CO (US) 80542

(**) Term: **14 Years**

(21) Appl. No.: **29/212,541**

(22) Filed: **Sep. 2, 2004**

(51) **LOC (8) Cl.** **07-06**

(52) **U.S. Cl.** **D7/625; D7/606**

(58) **Field of Classification Search** D7/605-608,
D7/619.1-625; D9/688; D21/681, 682; 62/457.1-457.7,
62/371, 372; 215/12.1; 220/737-740, 902,
220/903; 211/74; 248/311.2, 309.1

See application file for complete search history.

(56) **References Cited**

U.S. PATENT DOCUMENTS

4,344,303	A	*	8/1982	Kelly, Jr.	220/902
D282,234	S	*	1/1986	Henderson	D7/608
D348,807	S	*	7/1994	Cobb	D7/619.1
D444,516	S	*	7/2001	Pearson et al.	D21/681
D455,320	S	*	4/2002	Edelstein	D7/619.1
D456,705	S	*	5/2002	Vijn	D9/668
D465,151	S	*	11/2002	Mixon	D9/668

* cited by examiner

Primary Examiner—Terry A. Wallace

(74) *Attorney, Agent, or Firm*—Rick Martin; Patent Law Offices of Rick Martin, P.C.

(57) **CLAIM**

The ornamental design for a drink holder, as shown and described.

DESCRIPTION

FIG. 1 is a top perspective view of an embodiment of the claimed design.

FIG. 2 is a rear elevation view of the embodiment of FIG. 1.

FIG. 3 is a top plan view of the embodiment of FIG. 1.

FIG. 4 is a bottom plan view of the embodiment of FIG. 1.

FIG. 5 is a side elevation view of the embodiment of FIG. 1, wherein a left and a right side view are identical.

FIG. 6 is a front elevation view of the embodiment of FIG. 1.

FIG. 7 is a top perspective view of a second embodiment of the claimed design.

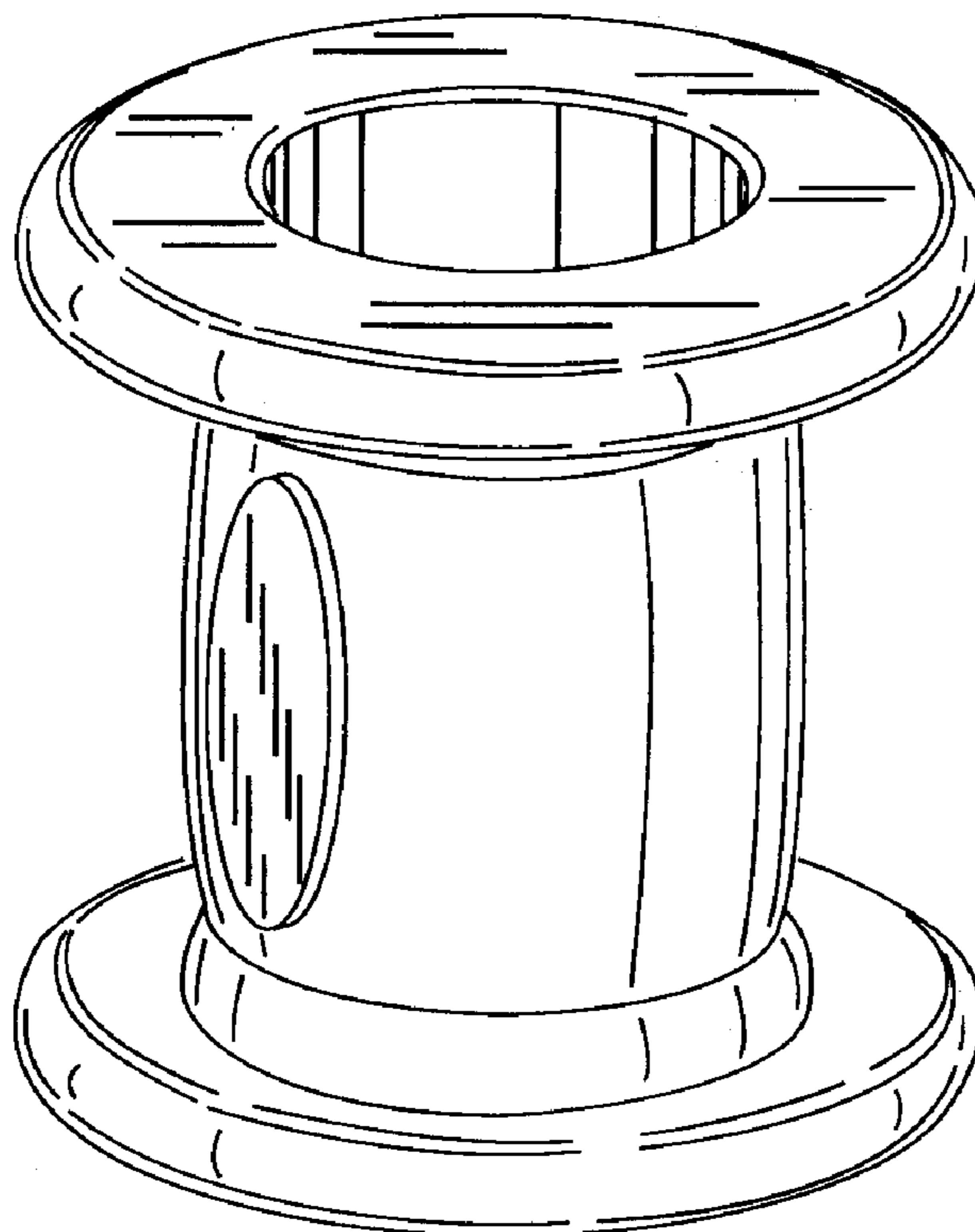
FIG. 8 is a front elevation view of the FIG. 7 embodiment, wherein a back and a front view are identical.

FIG. 9 is a side elevation view of the FIG. 7 embodiment, wherein a left and a right side view are identical.

FIG. 10 is a top plan view of the embodiment of FIG. 7; and,

FIG. 11 is a bottom plan view of the embodiment of FIG. 7.

1 Claim, 3 Drawing Sheets



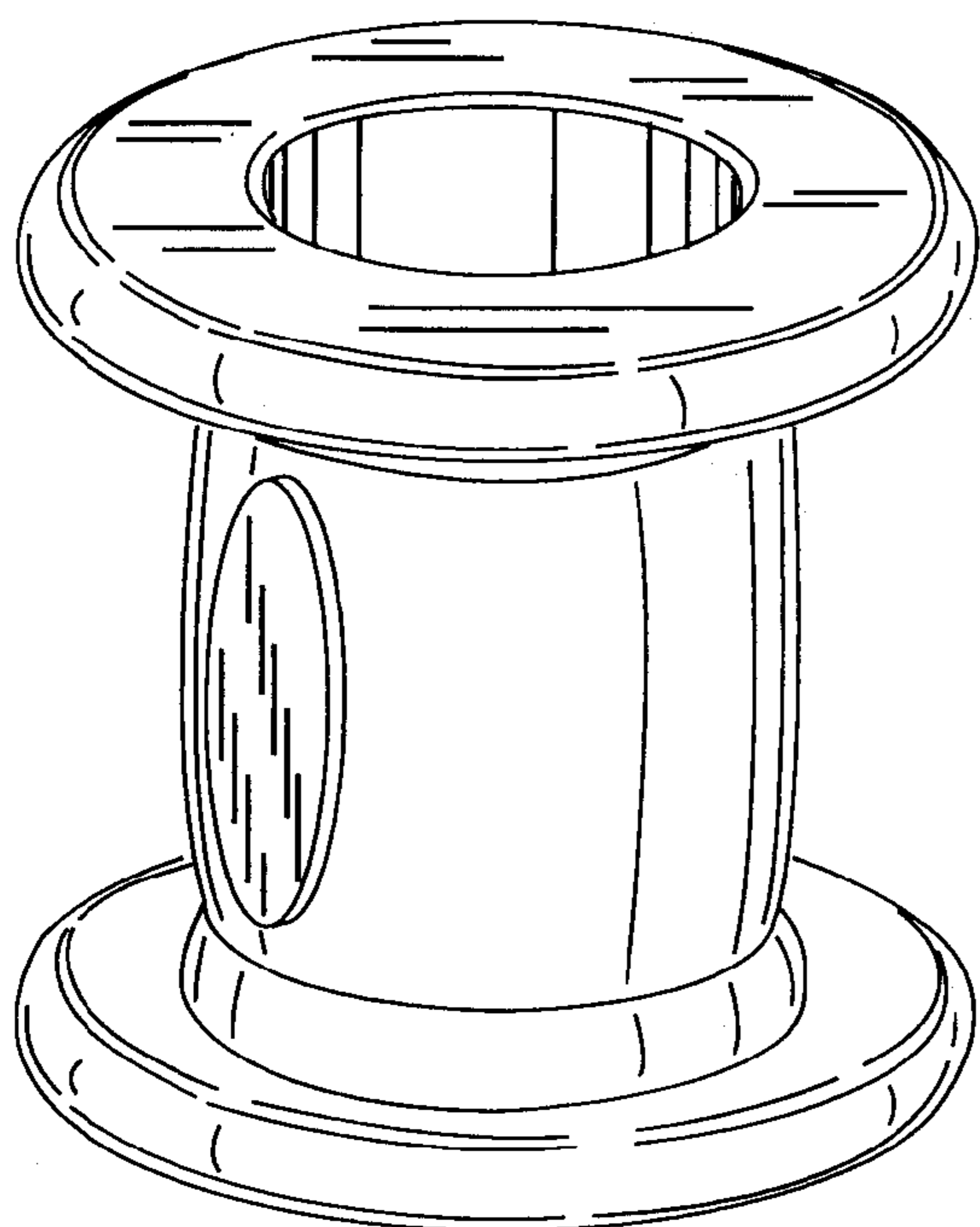


Fig. 1

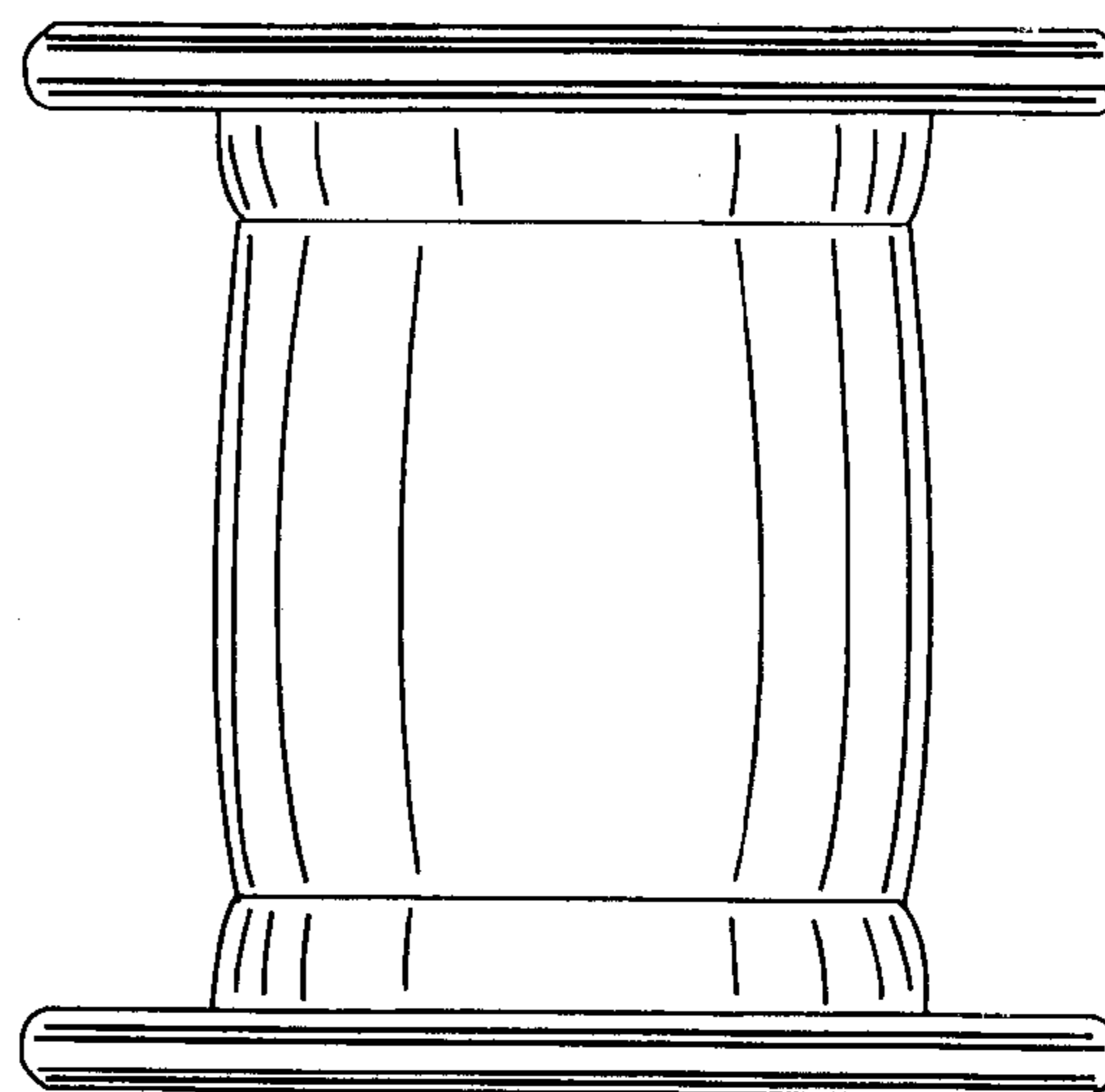


Fig. 2

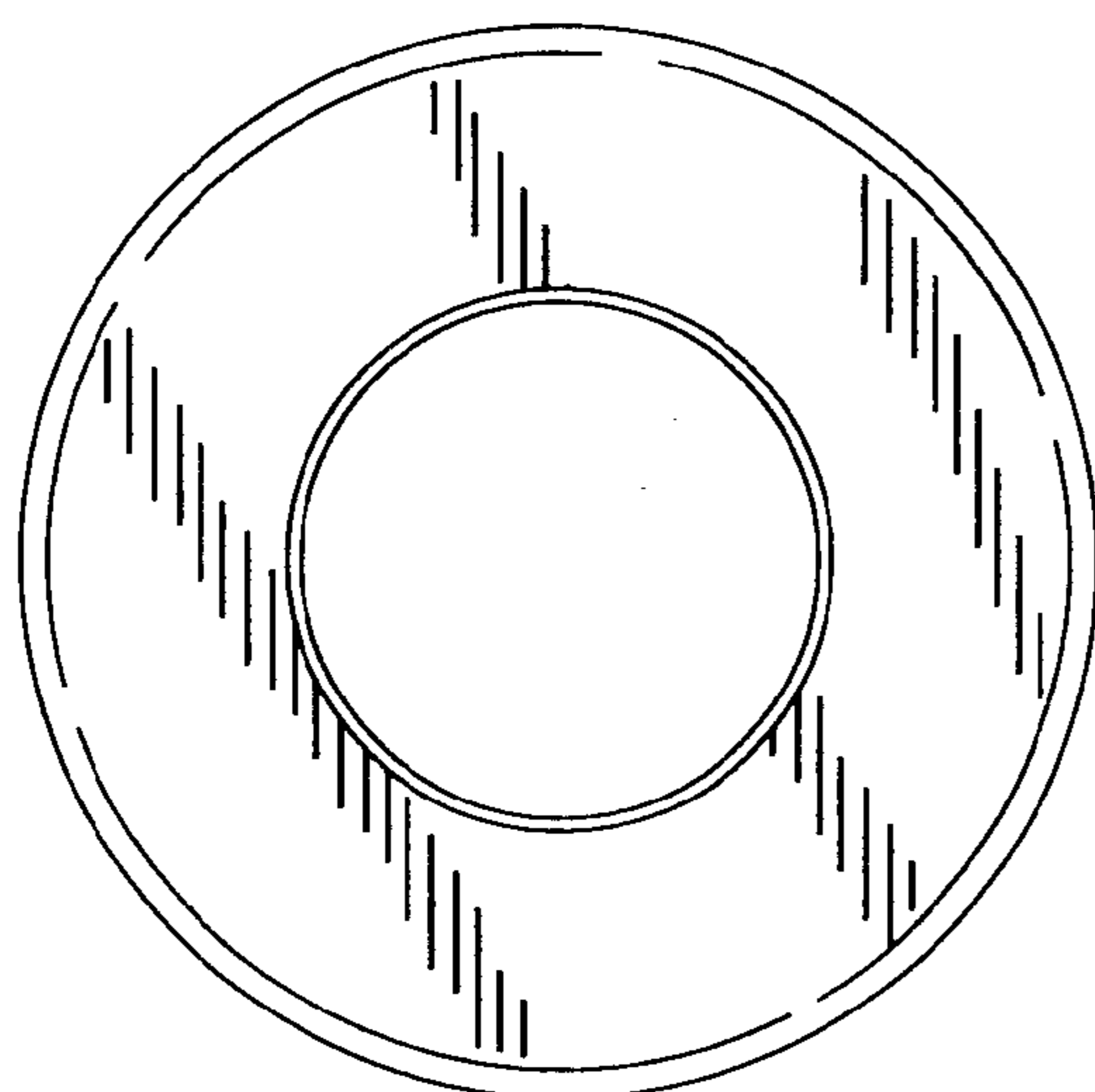


Fig. 3

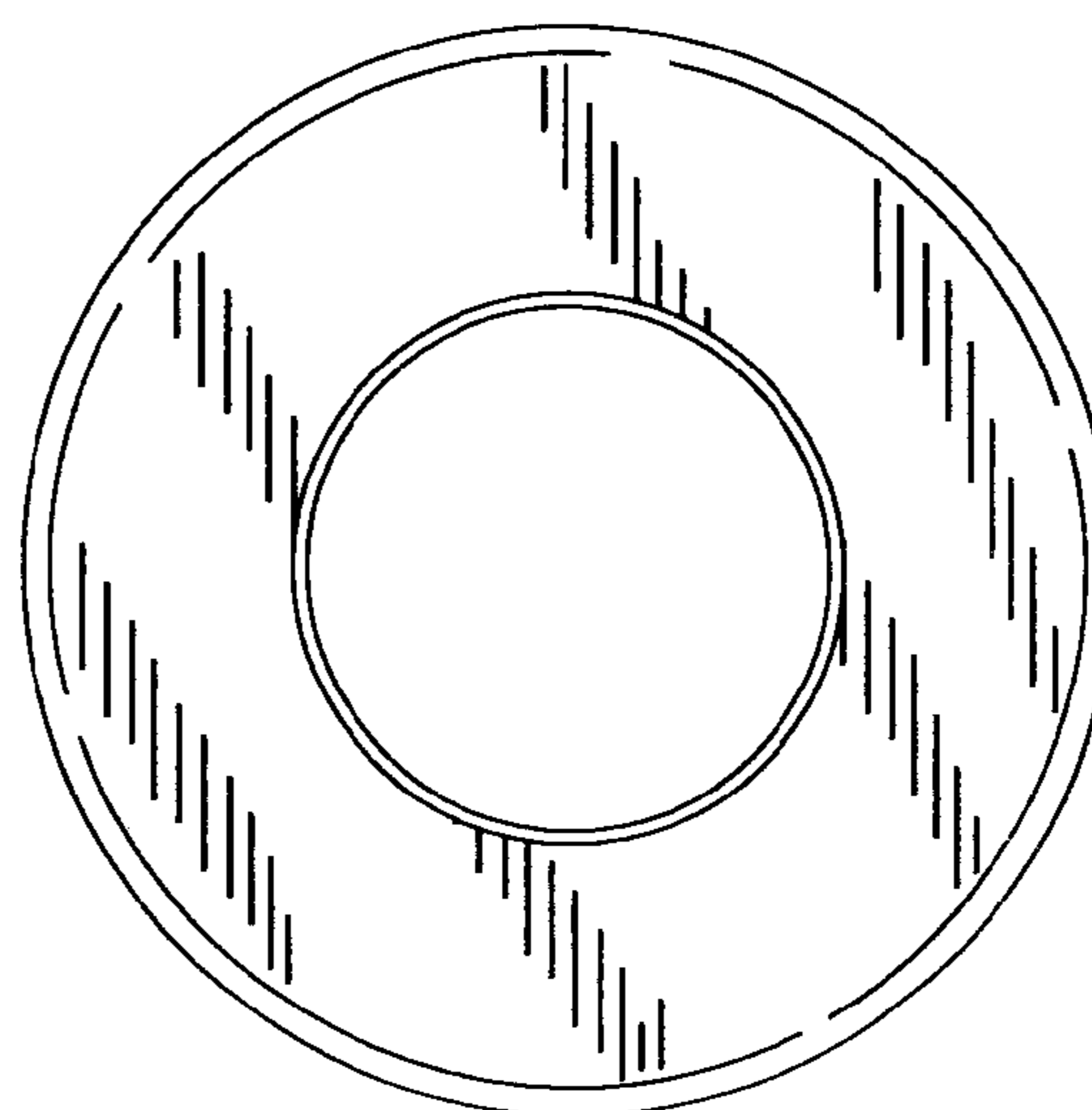


Fig. 4

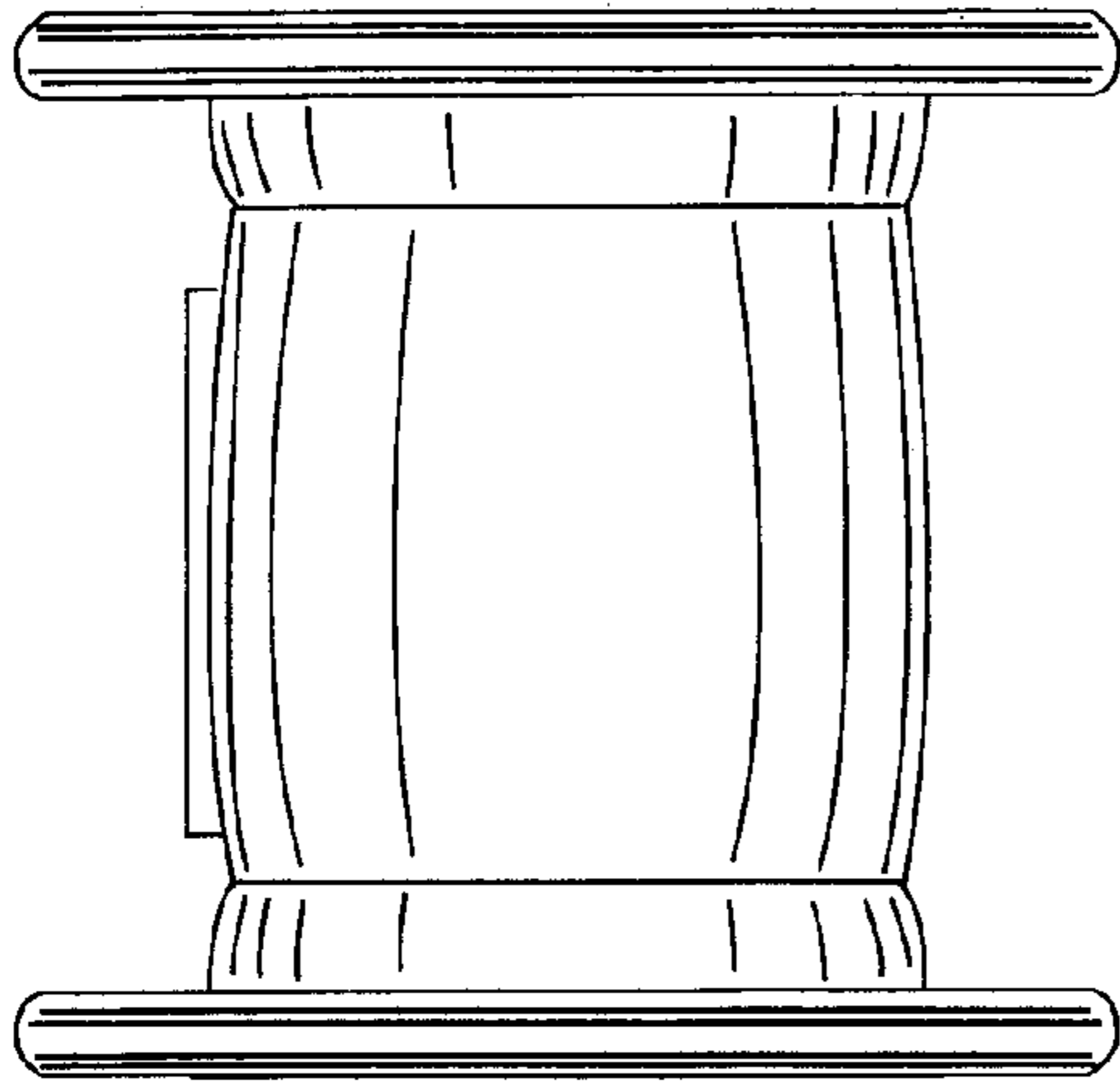


Fig. 5

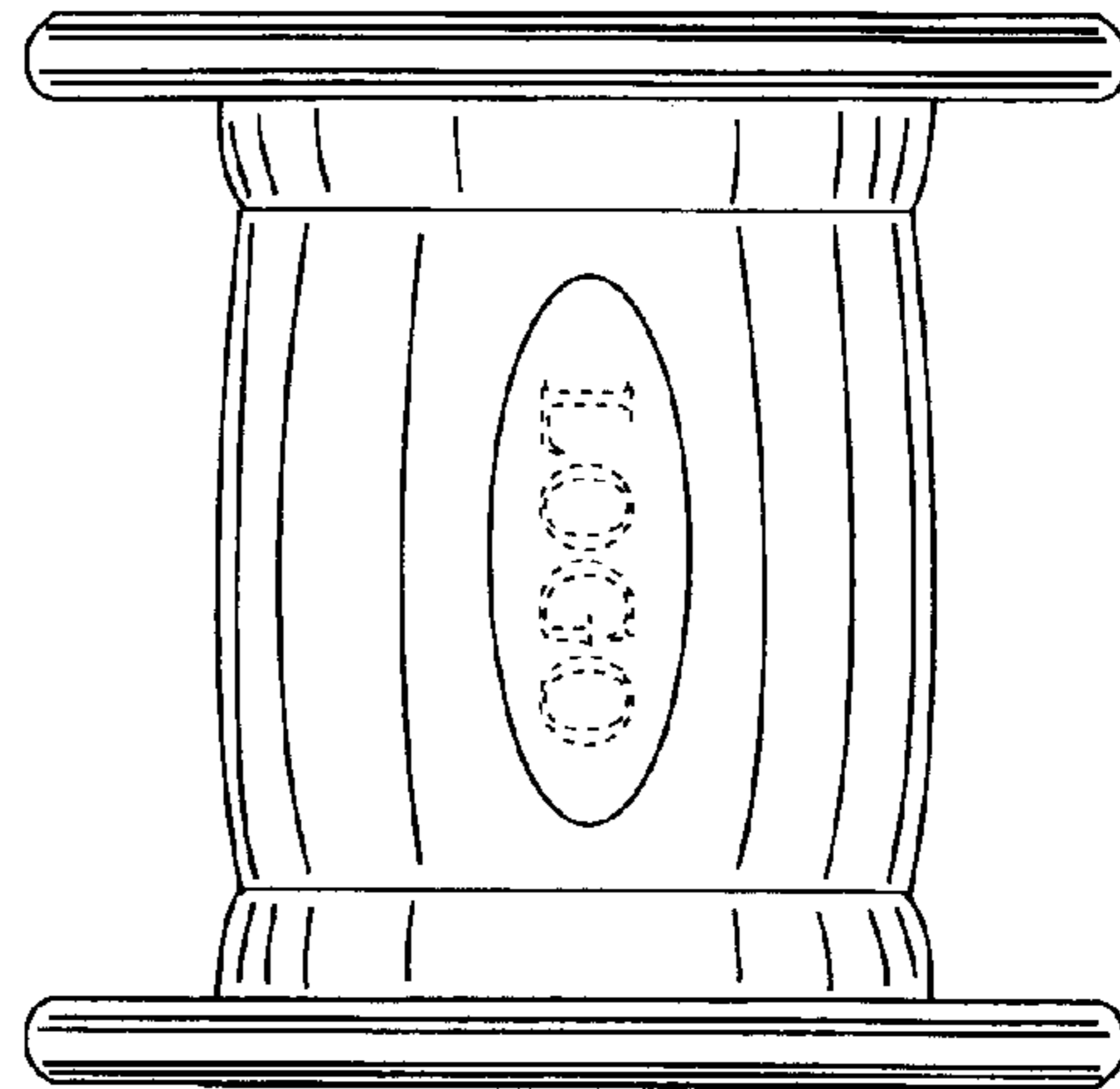


Fig. 6

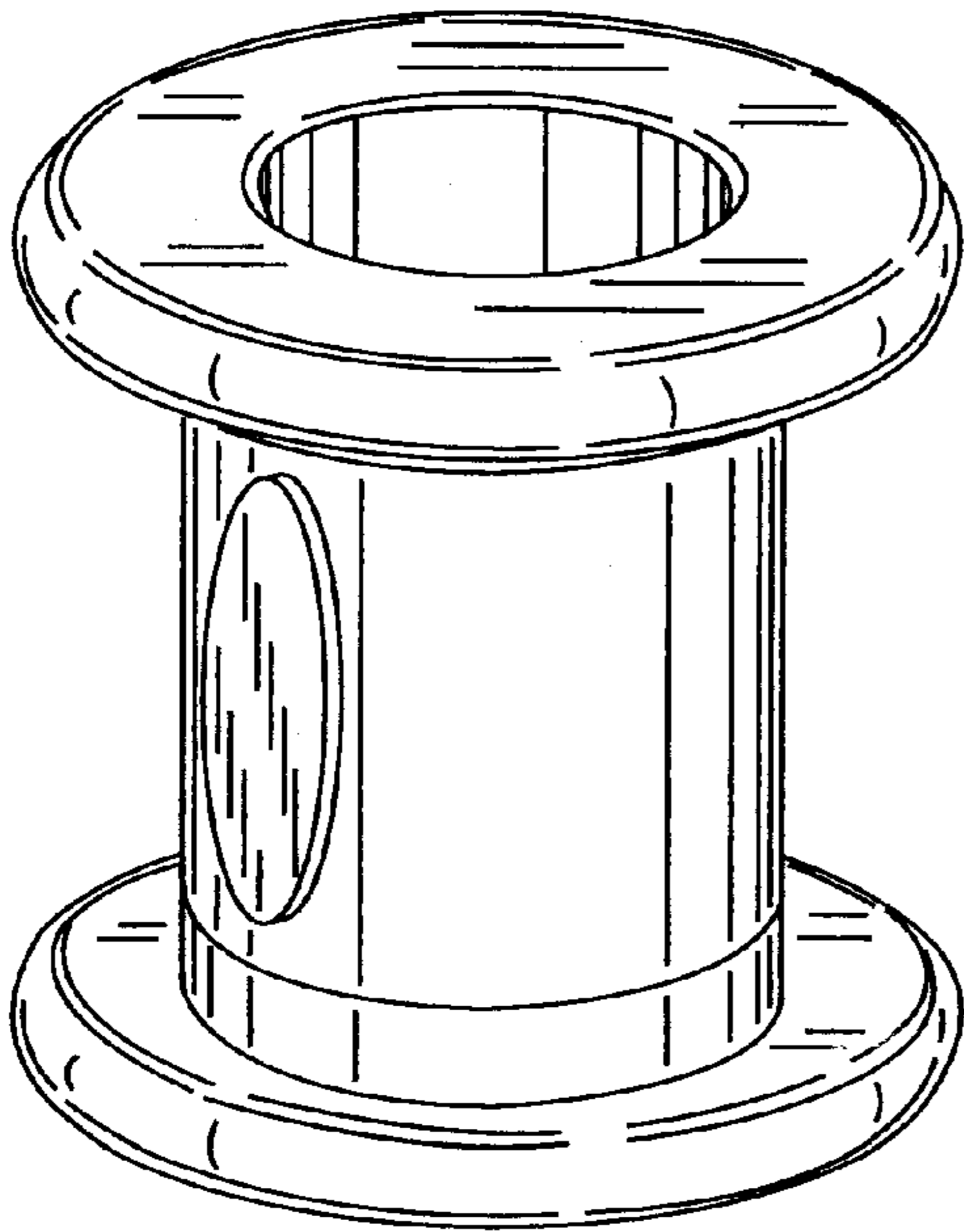


Fig. 7

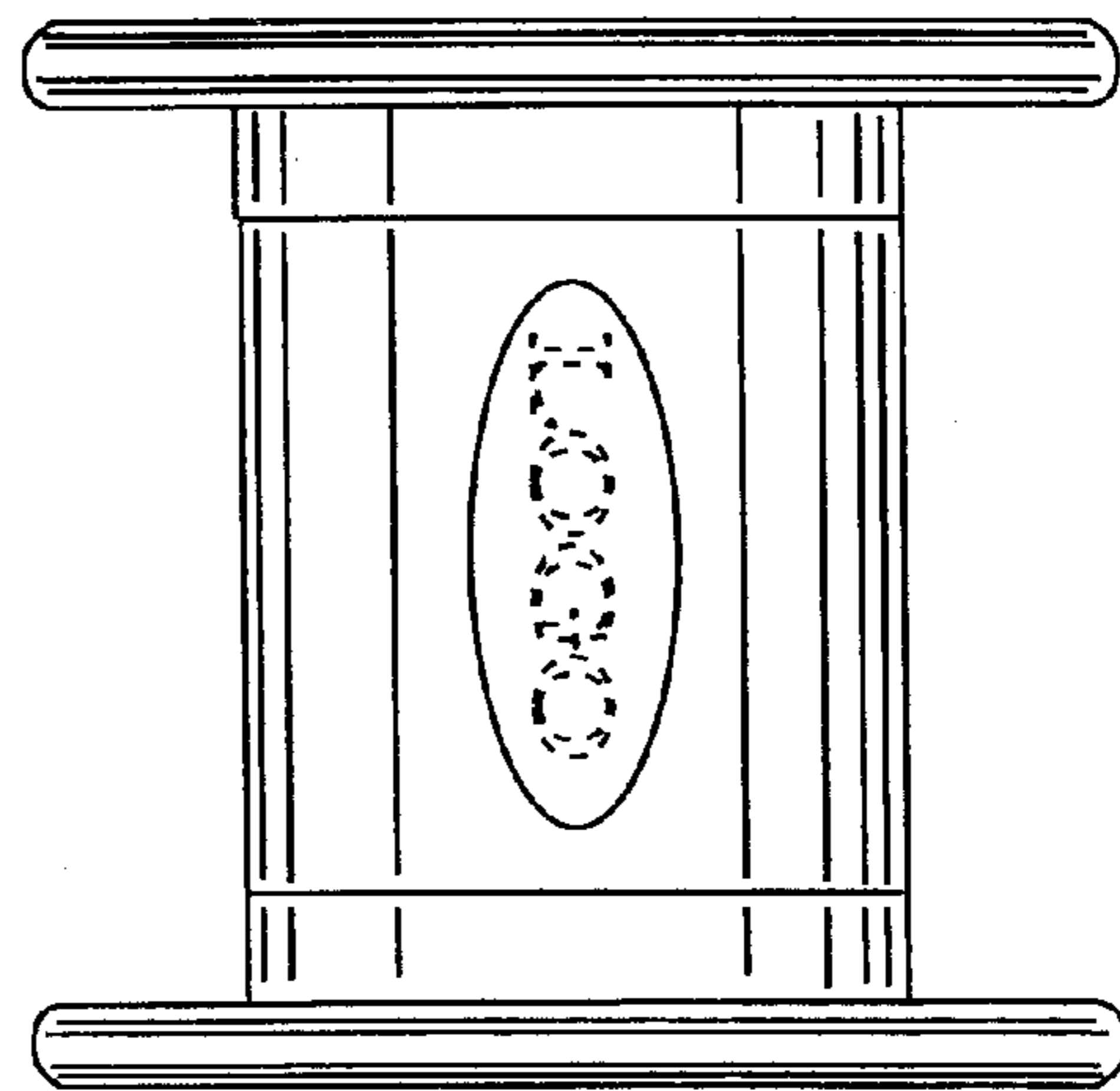


Fig. 8

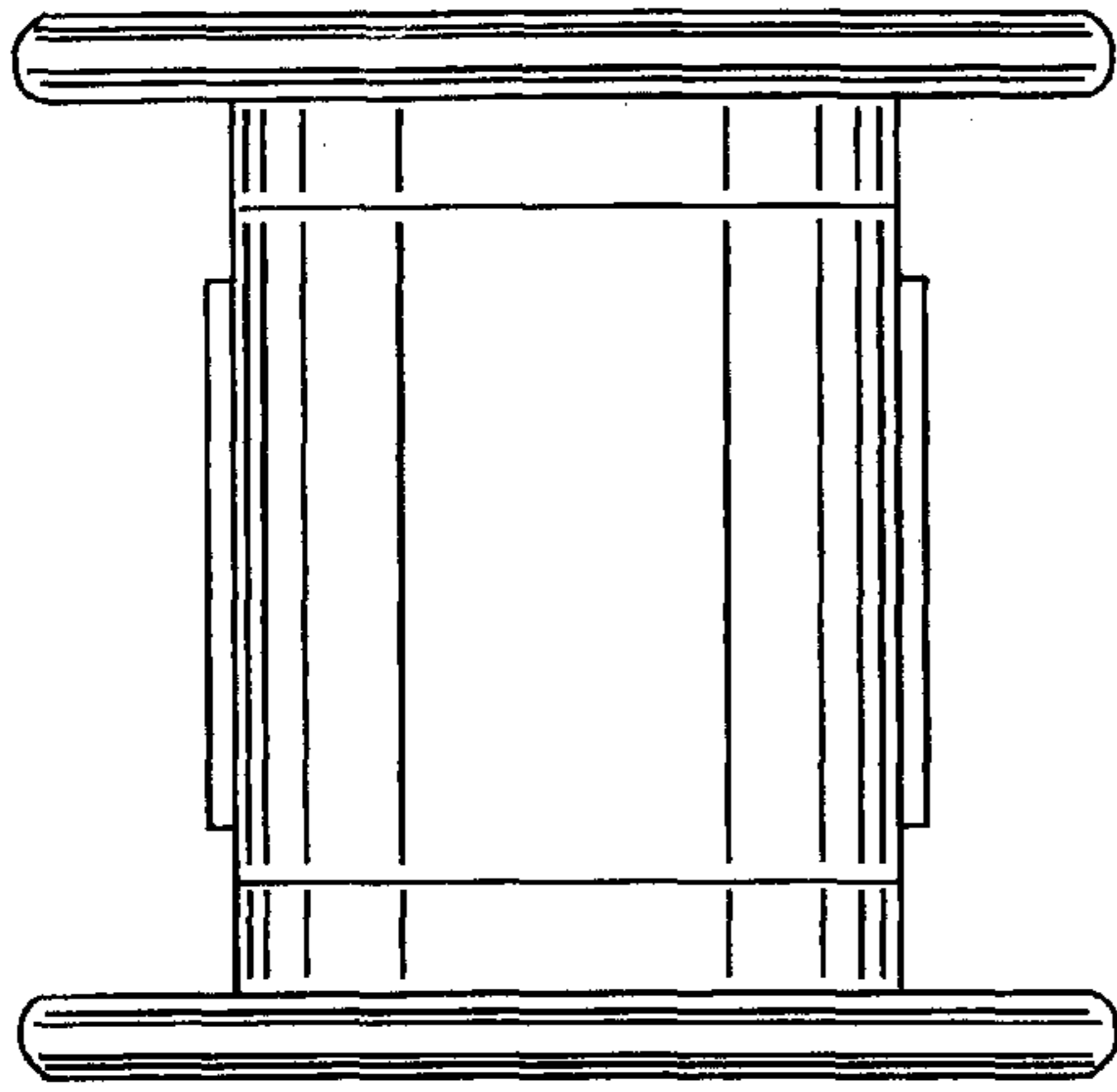


Fig. 9

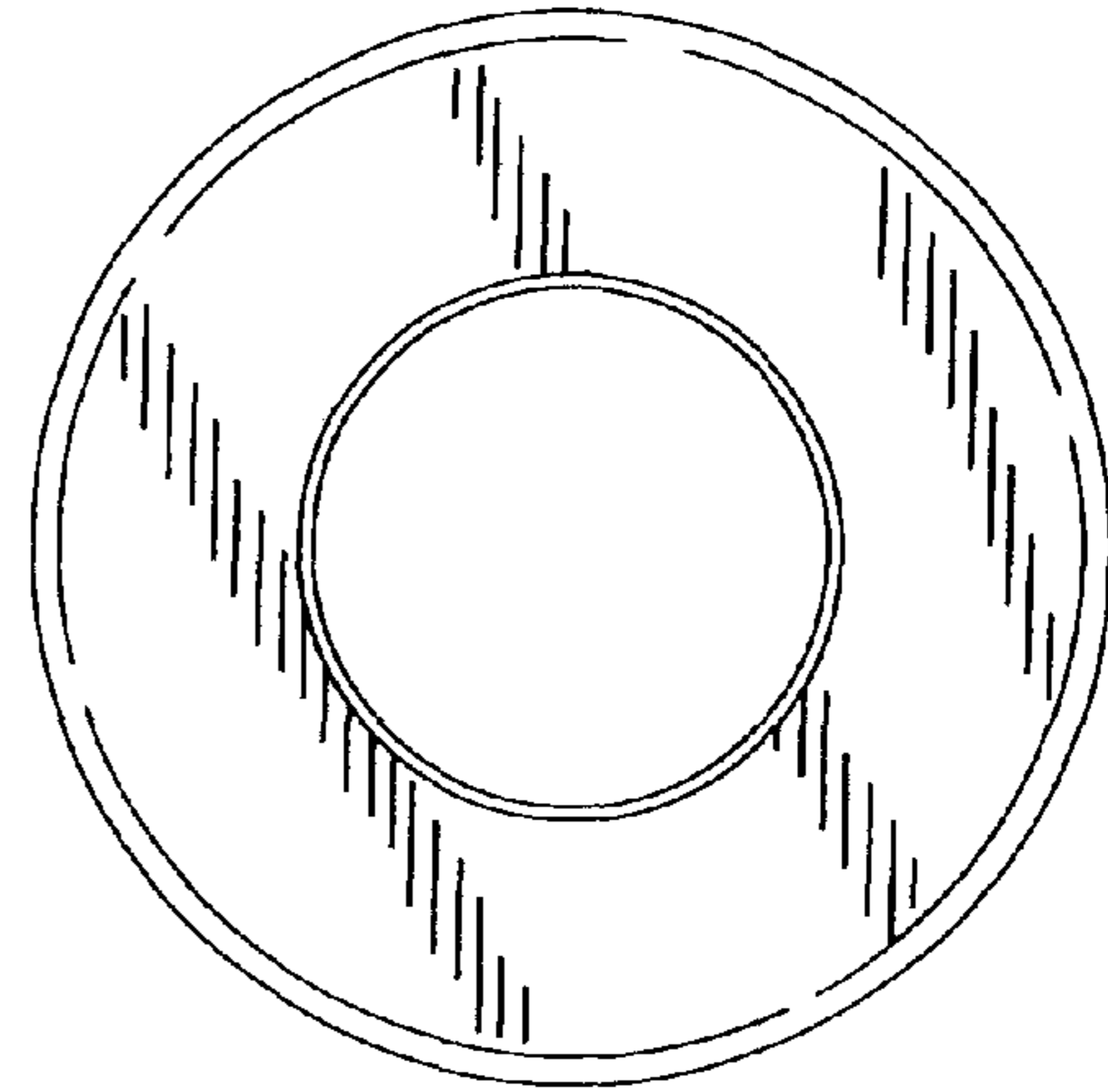


Fig. 10

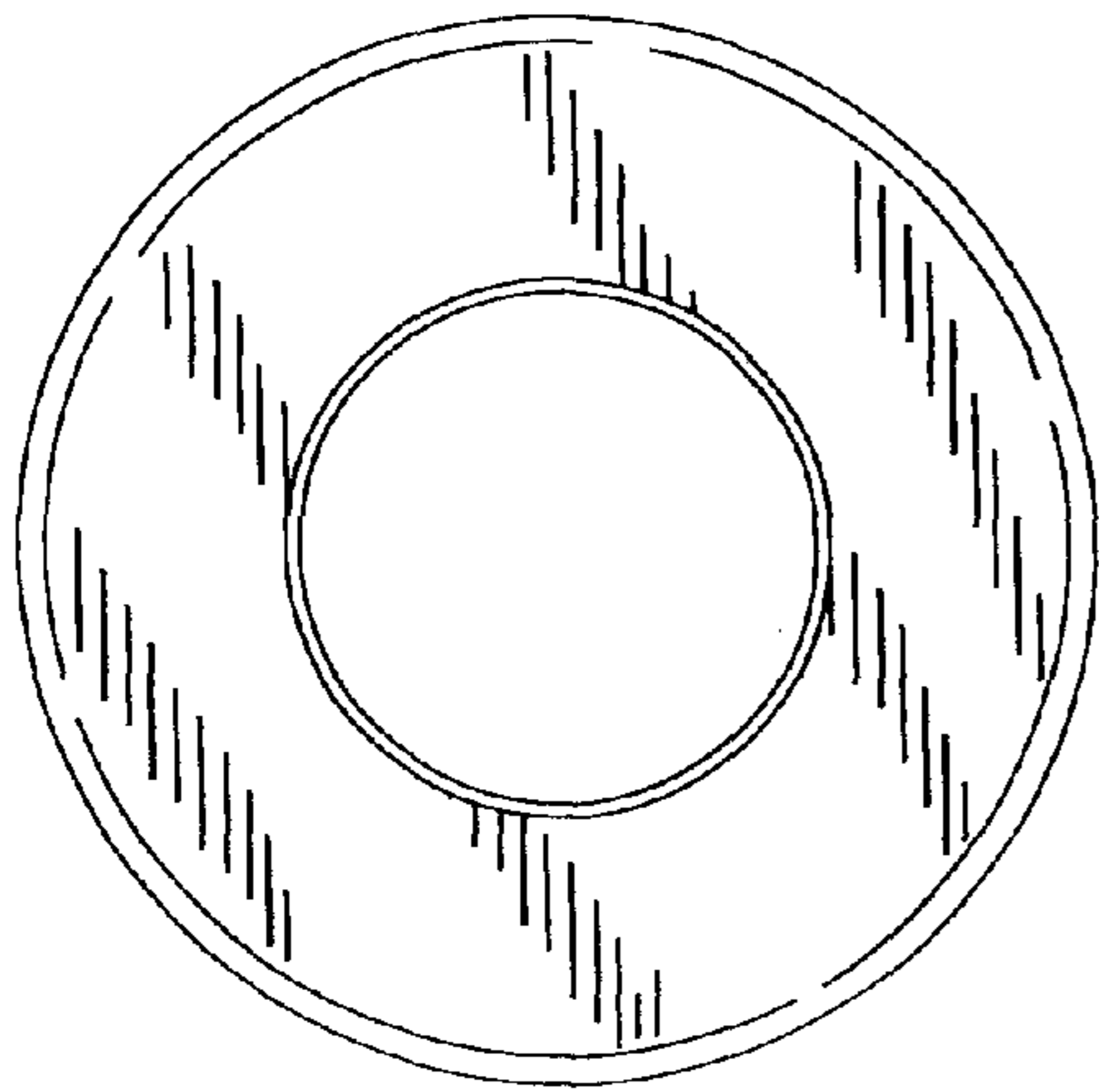


Fig. 11