

US00D522813S

(12) **United States Design Patent**
Swinford et al.

(10) **Patent No.:** **US D522,813 S**

(45) **Date of Patent:** **** Jun. 13, 2006**

(54) **CAKE CARRIER**

D405,651 S * 2/1999 Schmidt D7/610
D479,952 S 9/2003 Zimmerman

(75) Inventors: **Karen Swinford**, Schaumburg, IL (US);
David Purcell, Aurora, IL (US); **Jeffrey Bull**, Naperville, IL (US); **Denise Marie Simon**, Harbor Springs, MI (US); **Jacky Tse**, New Territories (HK)

* cited by examiner

Primary Examiner—Terry A. Wallace
(74) *Attorney, Agent, or Firm*—DLA Piper Rudnick Gray Cary US LLP

(73) Assignee: **Wilton Industries, Inc.**, Woodridge, IL (US)

(57) **CLAIM**

(**) Term: **14 Years**

The ornamental design for the cake carrier, as shown.

(21) Appl. No.: **29/225,220**

DESCRIPTION

(22) Filed: **Mar. 10, 2005**

(51) **LOC (8) Cl.** **07-07**

(52) **U.S. Cl.** **D7/610**

(58) **Field of Classification Search** D7/610,
D7/601, 602, 612–615, 629, 538–548; 206/467,
206/551; 220/574, 675, 780–783, 792–805,
220/906

See application file for complete search history.

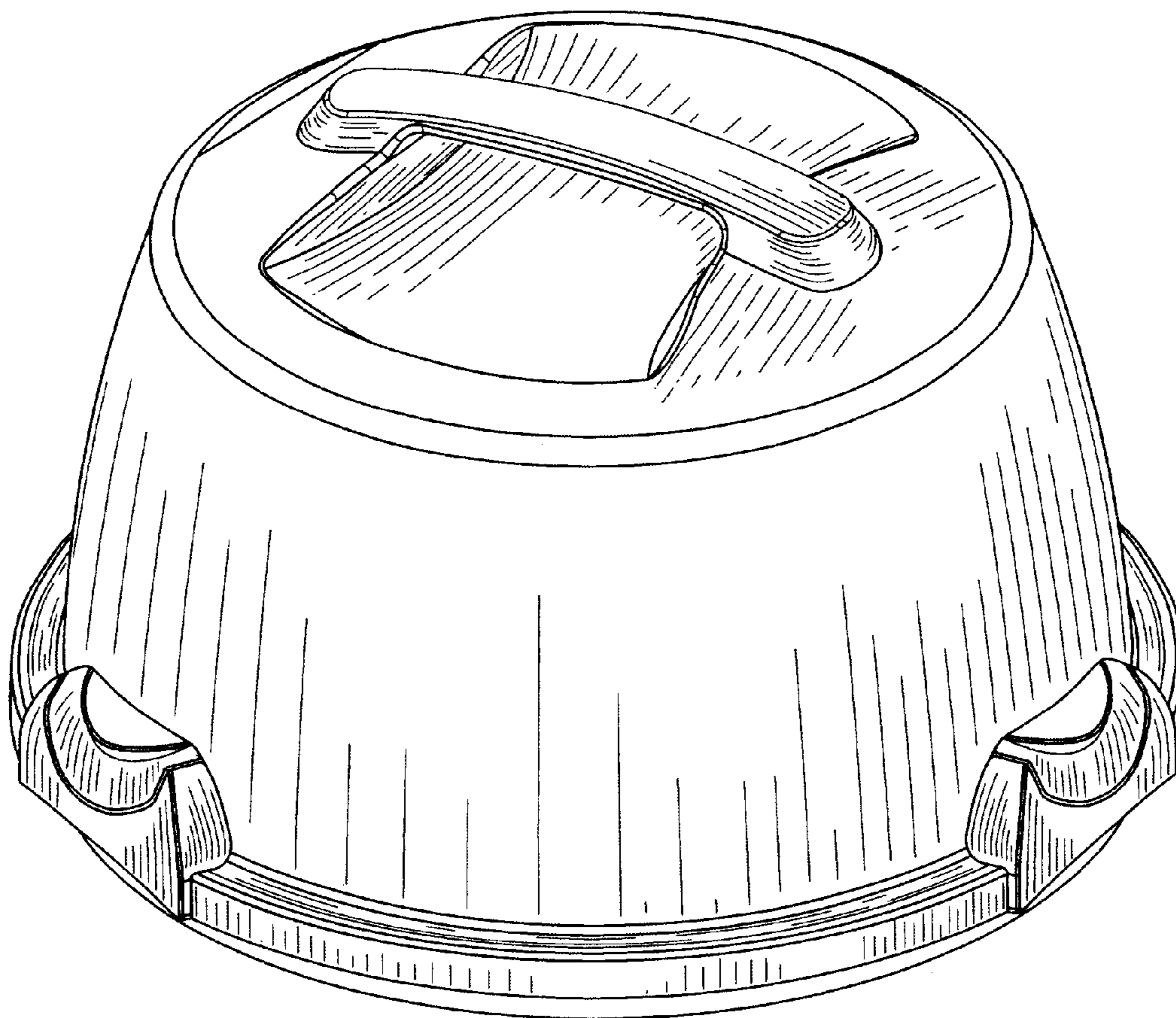
FIG. 1 is a perspective view of the cake carrier;
FIG. 2 is a left side elevational view of the cake carrier;
FIG. 3 is a right side elevational view of the cake carrier;
FIG. 4 is a front elevational view of the cake carrier;
FIG. 5 is a rear elevational view of the cake carrier;
FIG. 6 is a top plan view of the cake carrier; and,
FIG. 7 is a bottom plan view of the cake carrier.

(56) **References Cited**

U.S. PATENT DOCUMENTS

5,676,252 A * 10/1997 Lillelund et al. 206/551

1 Claim, 4 Drawing Sheets



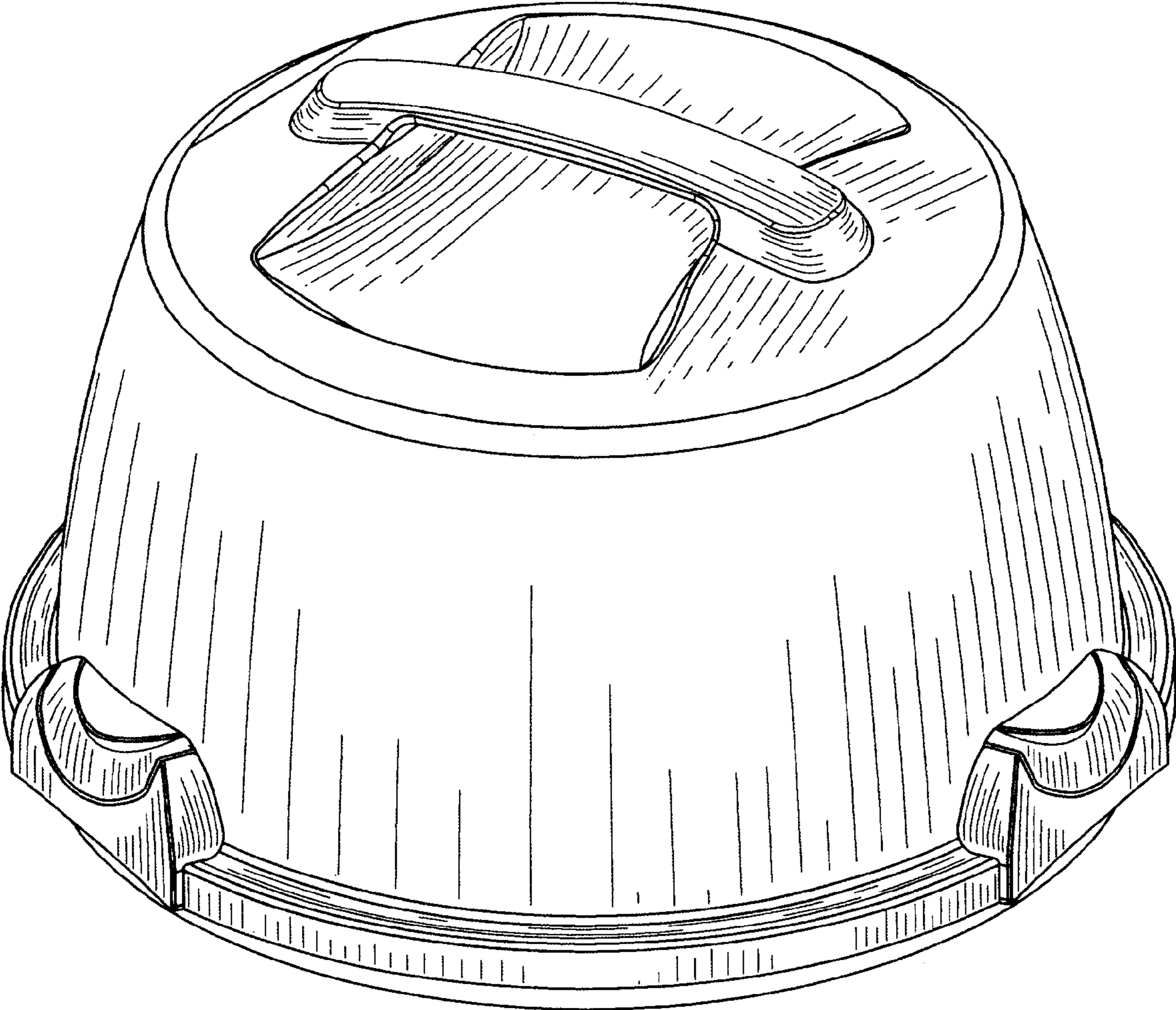


FIG. 1

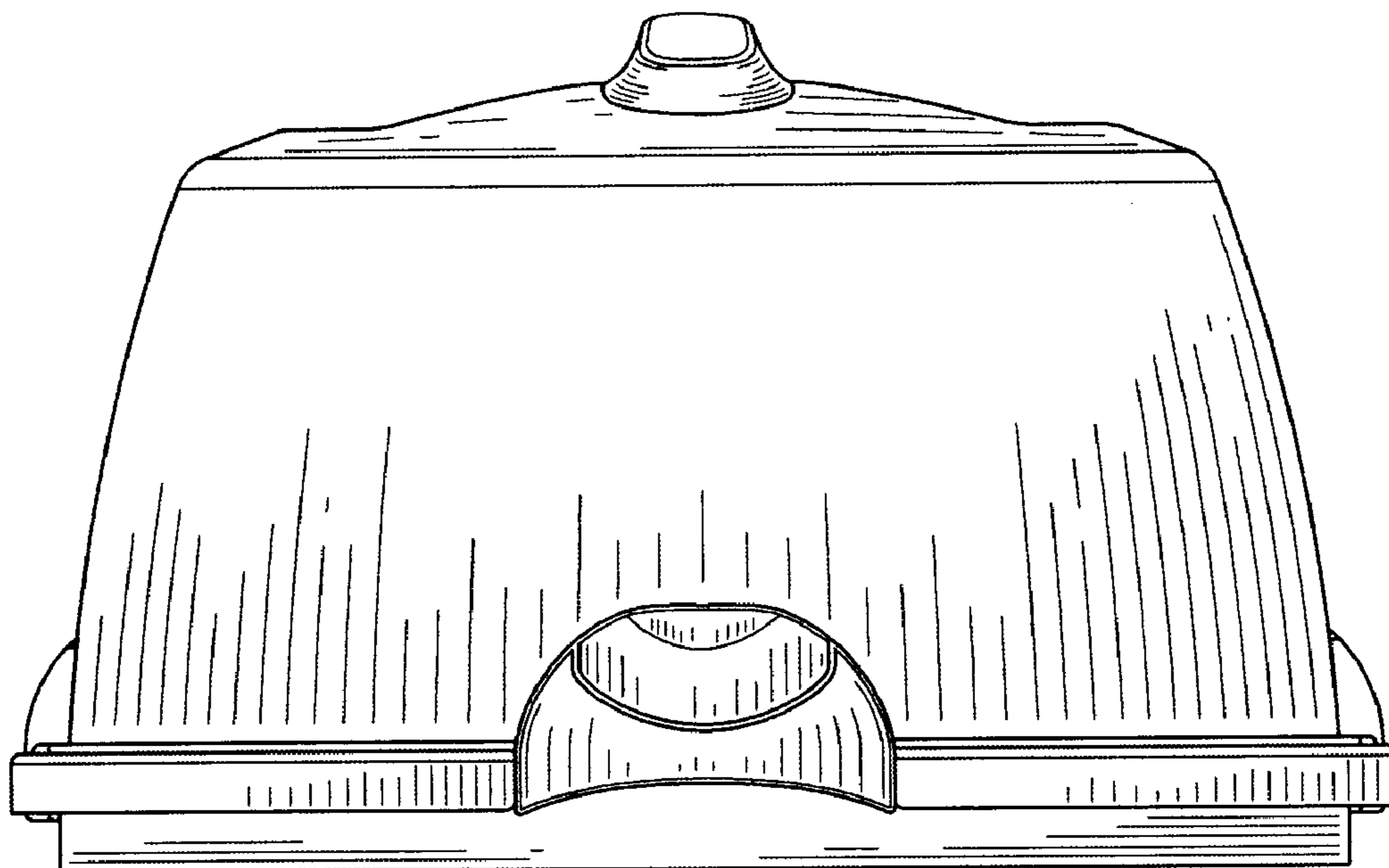


FIG. 2

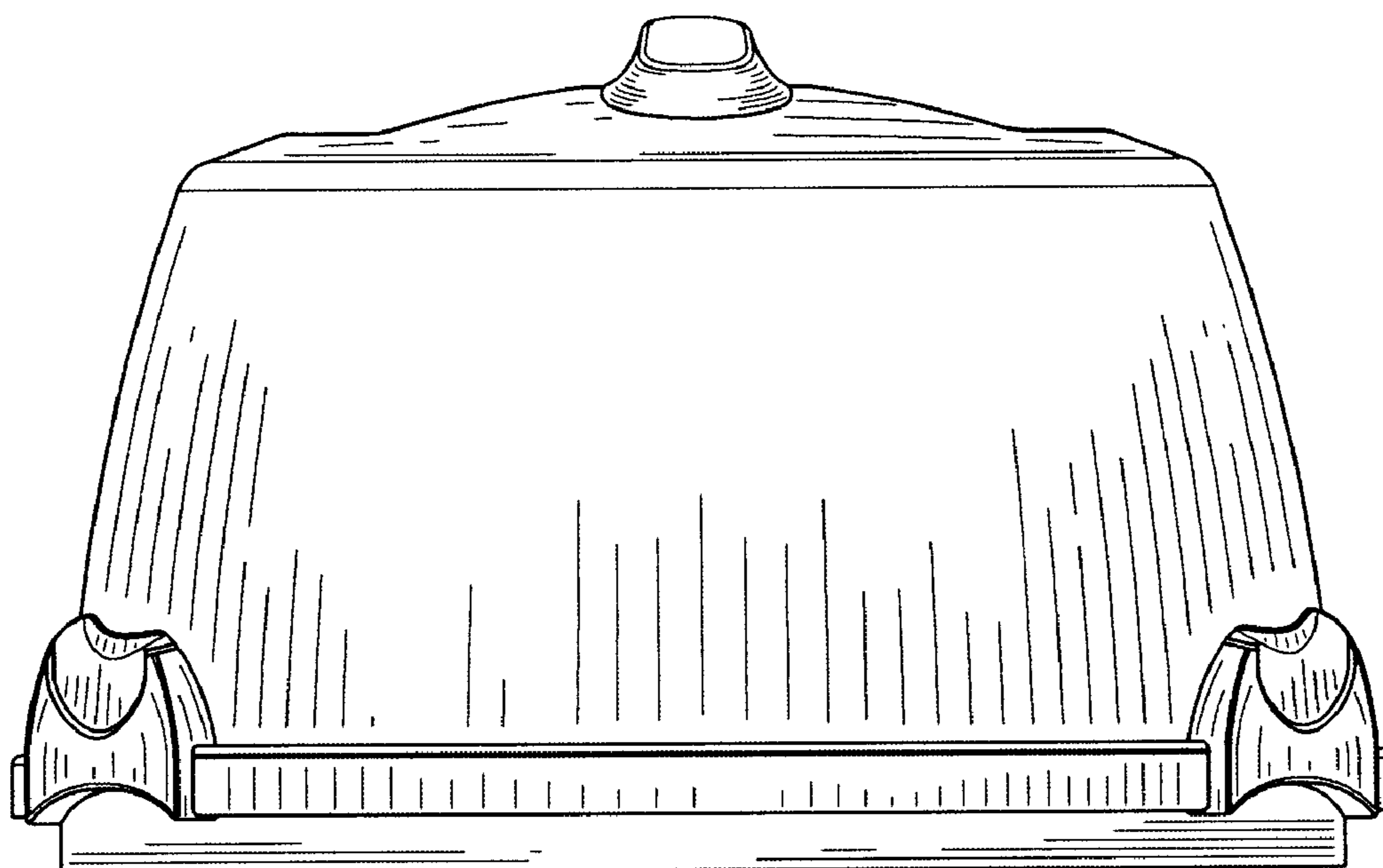


FIG. 3

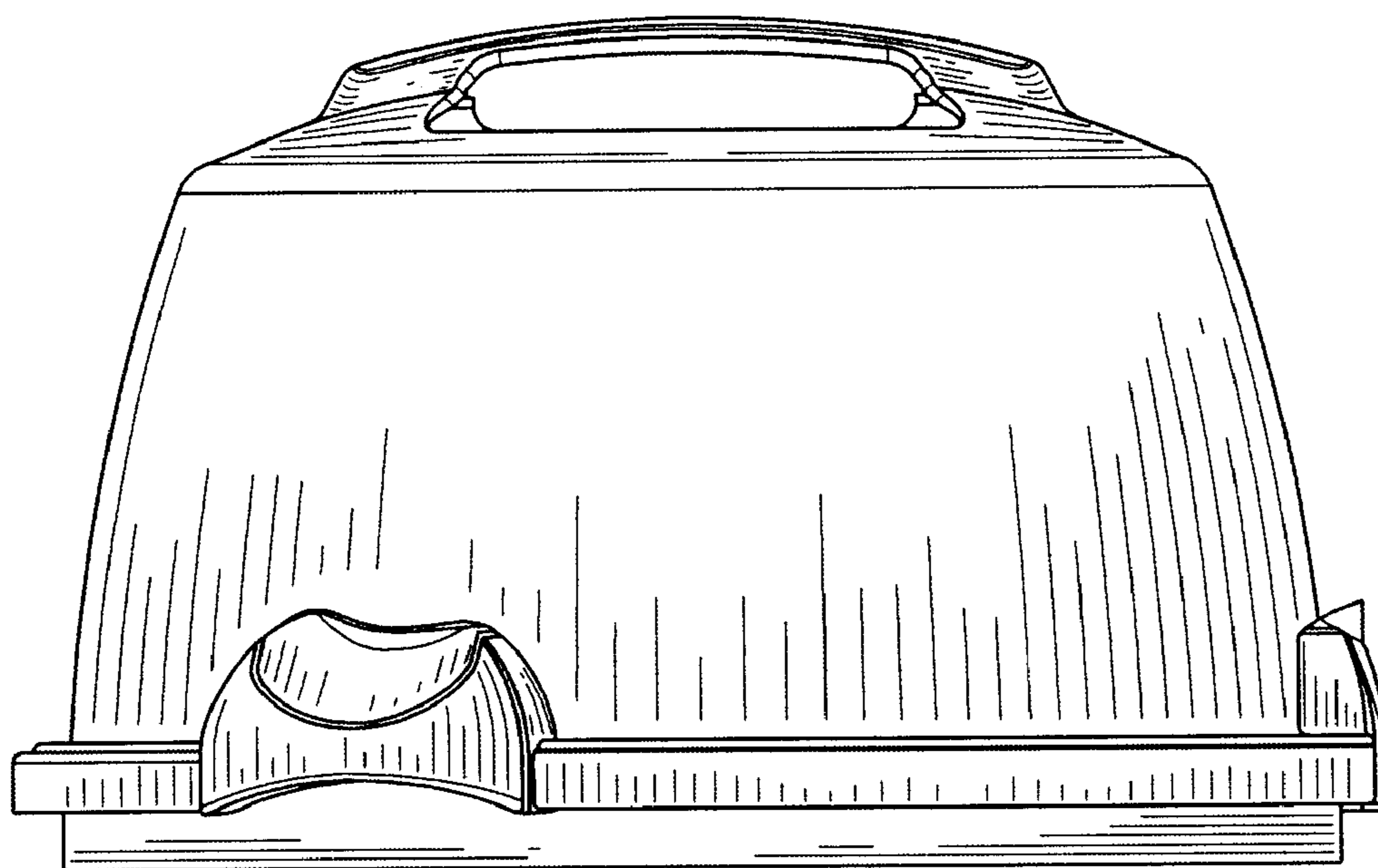


FIG. 4

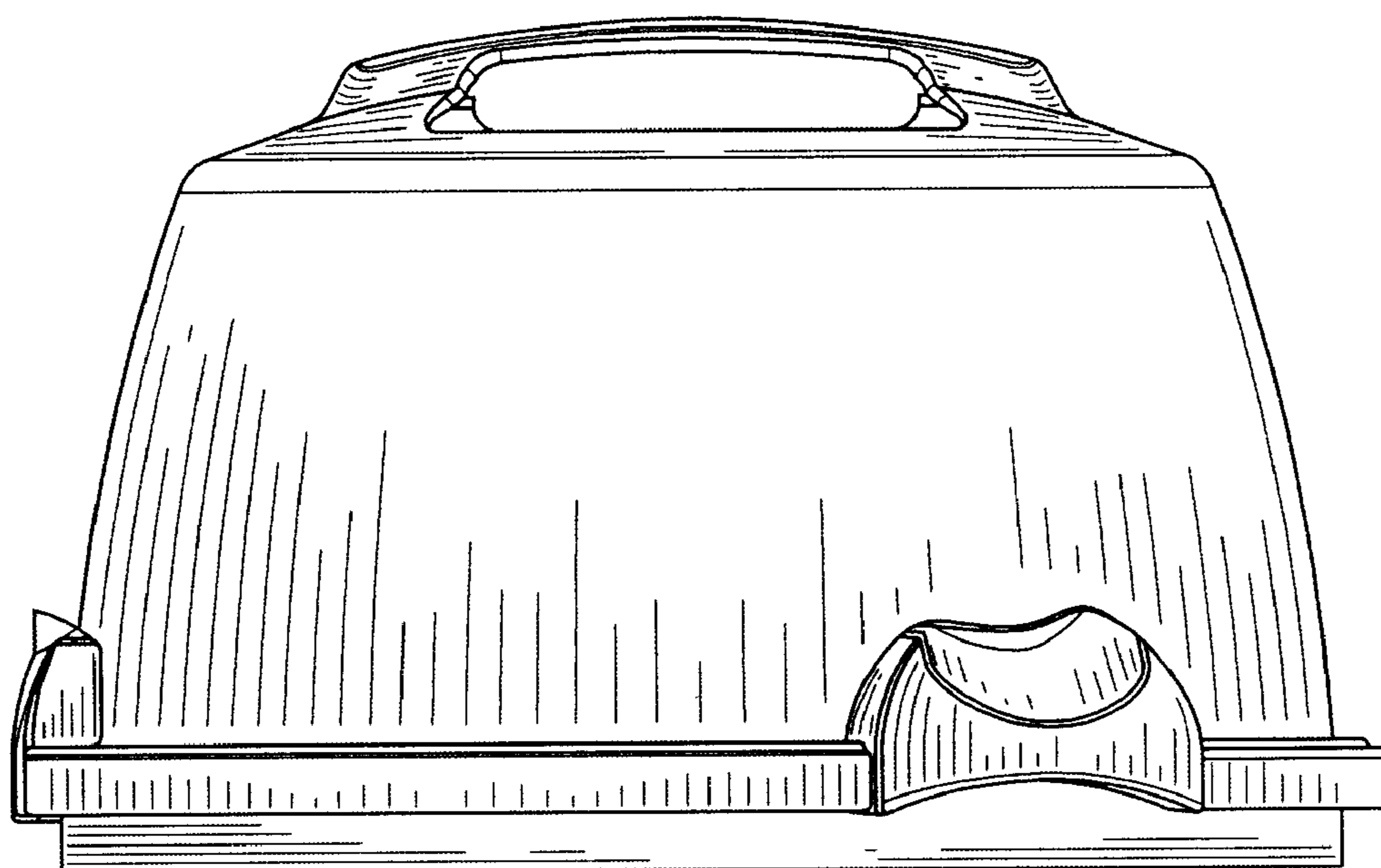


FIG. 5

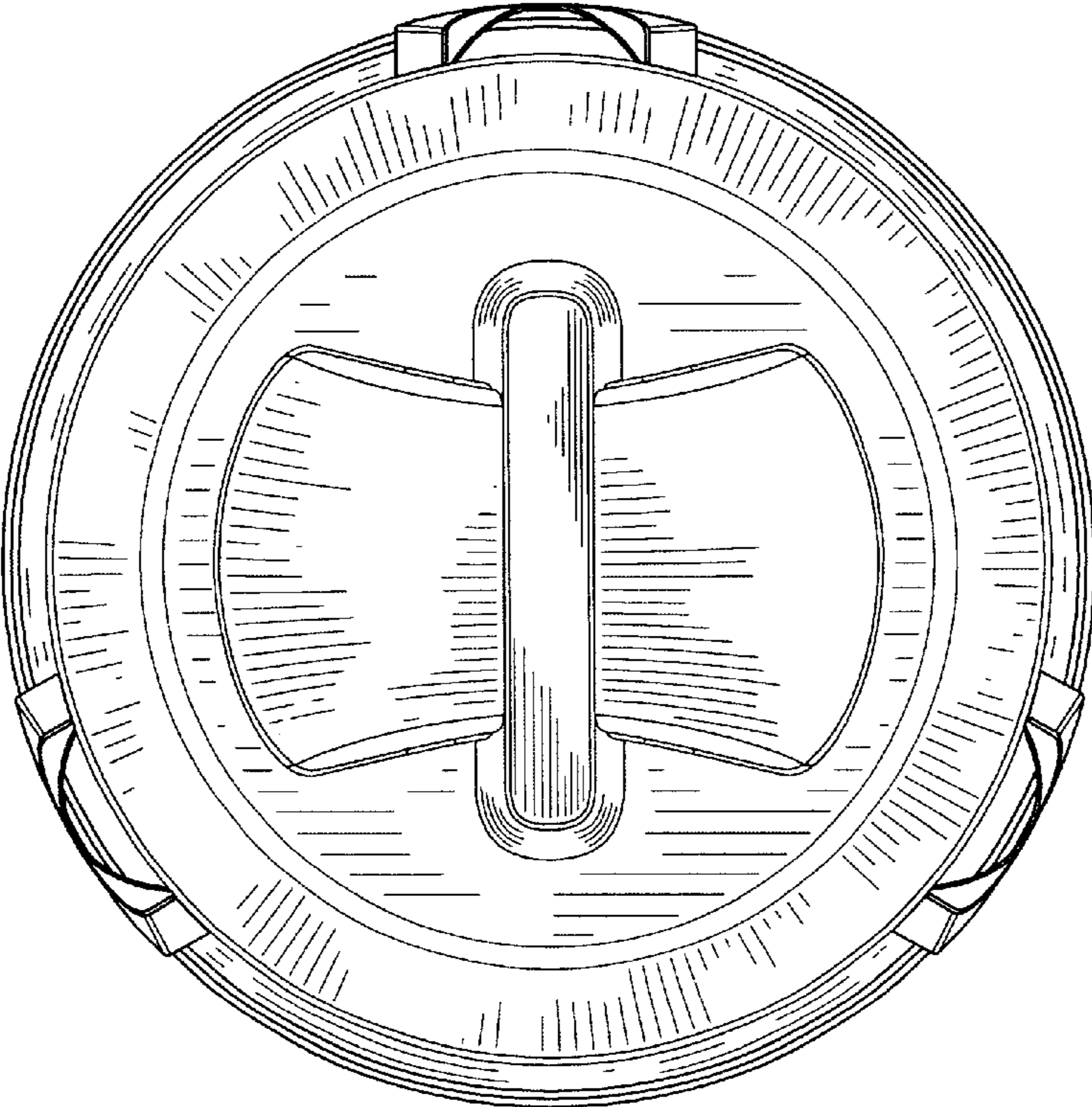


FIG. 6

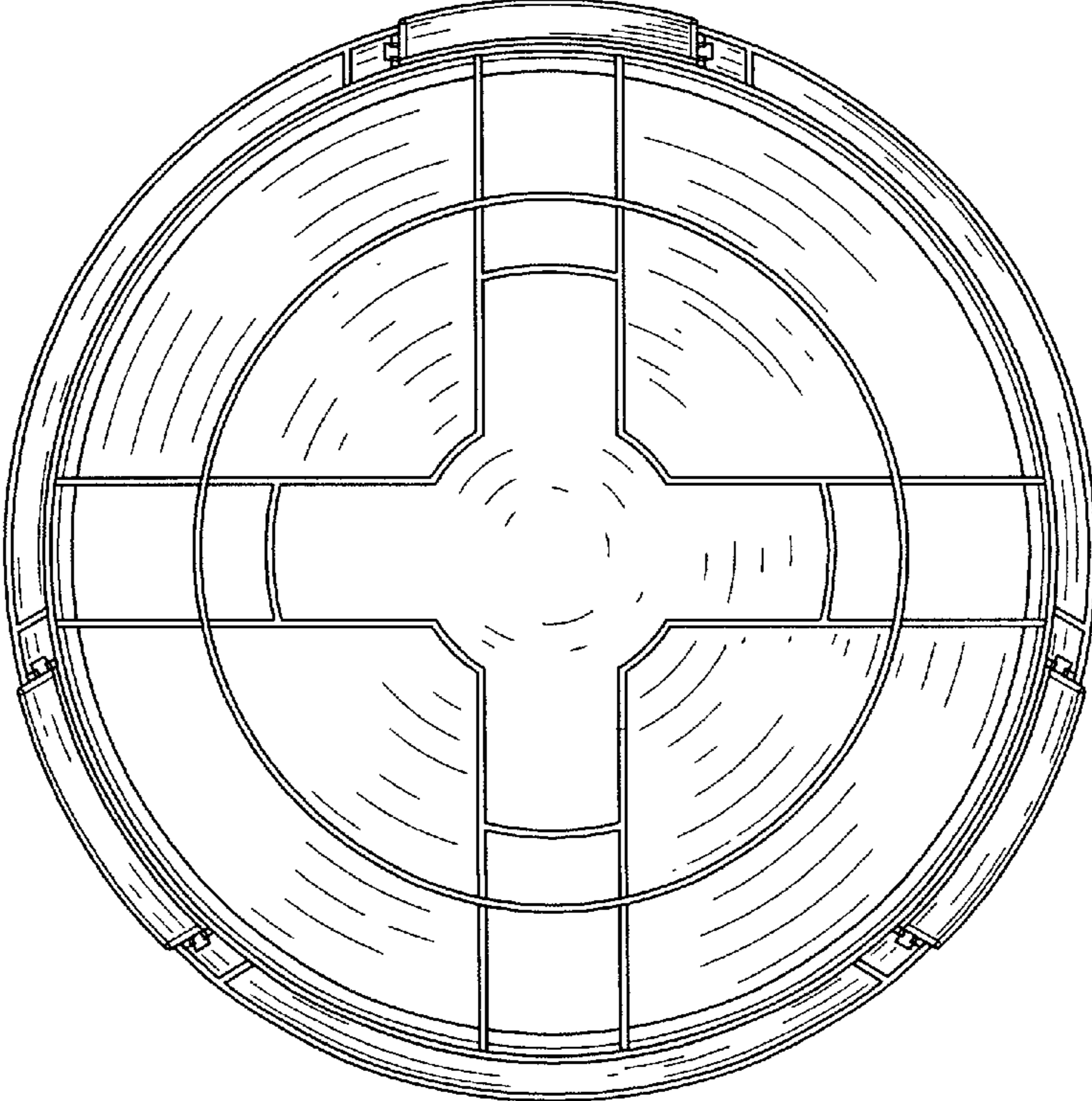


FIG. 7