



US00D522812S

(12) **United States Design Patent**
Lee

(10) **Patent No.:** **US D522,812 S**
(45) **Date of Patent:** **** Jun. 13, 2006**

(54) **BREAD BIN WITH CUTTING BOARD**

(75) Inventor: **Stuart Harvey Lee**, Forest Hills, NY (US)

(73) Assignee: **Polder, Inc.**, Port Chester, NY (US)

(**) Term: **14 Years**

(21) Appl. No.: **29/231,488**

(22) Filed: **Jun. 6, 2005**

(51) **LOC (8) Cl.** **07-07**

(52) **U.S. Cl.** **D7/609; D7/698**

(58) **Field of Classification Search** D7/609, D7/698, 629; D6/432, 445, 448, 449; 312/199, 312/229, 245, 316, 351; 220/908, 4.21; 269/13.15, 269/289 R, 291, 297, 298, 302.1
See application file for complete search history.

(56) **References Cited**

U.S. PATENT DOCUMENTS

1,941,998 A	1/1934	Padelford	
2,736,452 A *	2/1956	Roop	220/4.21
4,085,642 A	4/1978	Birmingham	83/764
D265,277 S	7/1982	Dunn	D7/46
D266,672 S	10/1982	Landin	D14/114
4,799,744 A	1/1989	Toy	312/329
5,628,405 A	5/1997	Price et al.	206/561
D415,661 S *	10/1999	Georgeovich	D7/698
D440,472 S	4/2001	Paschal et al.	D7/698
D484,752 S *	1/2004	Verbeek	D7/609
D498,123 S	11/2004	Lawson et al.	D7/698
2004/0129707 A1	7/2004	Weir	220/500

OTHER PUBLICATIONS

Polder Home Tools Catalog, p. 23, 1996.

Polder Home Tools Catalog, p. 36, 1999.

* cited by examiner

Primary Examiner—Terry A. Wallace

(74) *Attorney, Agent, or Firm*—Duane Morris LLP

(57) **CLAIM**

The ornamental design for a bread bin with cutting board, substantially as shown and described.

DESCRIPTION

FIG. 1 is a perspective view of the bread bin with cutting board, showing the cutting board in a retracted position;

FIG. 2 is a front elevation view of the bread bin with cutting board of FIG. 1;

FIG. 3 is a reverse elevation view of the bread bin with cutting board of FIG. 1;

FIG. 4 is an elevation view from the left side of the bread bin with cutting board of FIG. 1;

FIG. 5 is an elevation view from the right side of the bread bin with cutting board of FIG. 1;

FIG. 6 is a top plan view of the bread bin with cutting board of FIG. 1;

FIG. 7 is a bottom plan view of the bread bin with cutting board of FIG. 1;

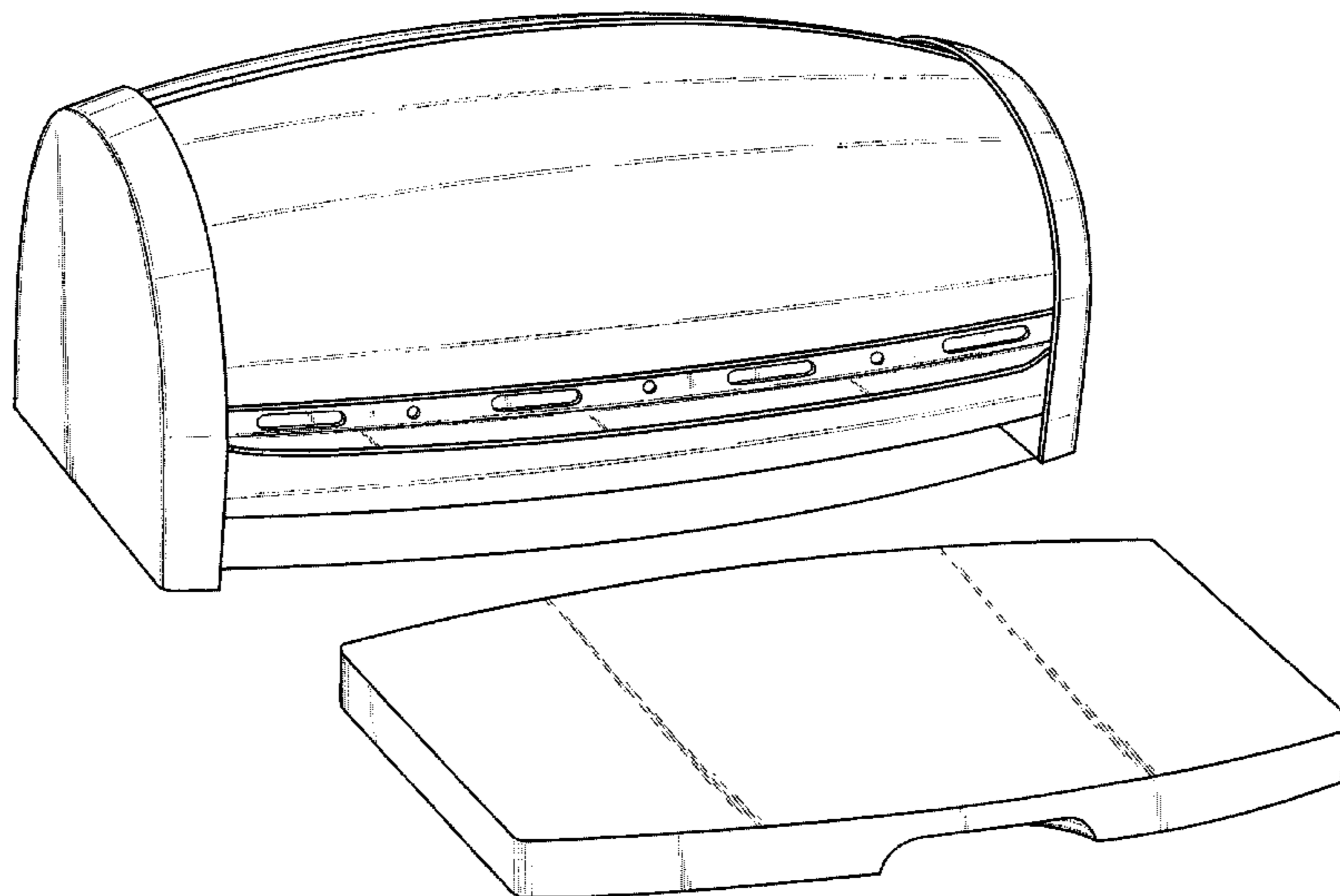
FIG. 8 is a perspective view of the bread bin with cutting board of FIG. 1, showing the cutting board in an extended position;

FIG. 9 is a bottom plan view of the bread bin with cutting board of FIG. 1, showing the cutting board in an extended position;

FIG. 10 is an exploded view of the bread bin with cutting board of FIG. 1, showing the interrelationship of the bread bin and the cutting board; and,

FIG. 11 is a bottom plan view of the bread bin with cutting board of FIG. 1, showing the interrelationship of the bread bin and the cutting board.

1 Claim, 10 Drawing Sheets



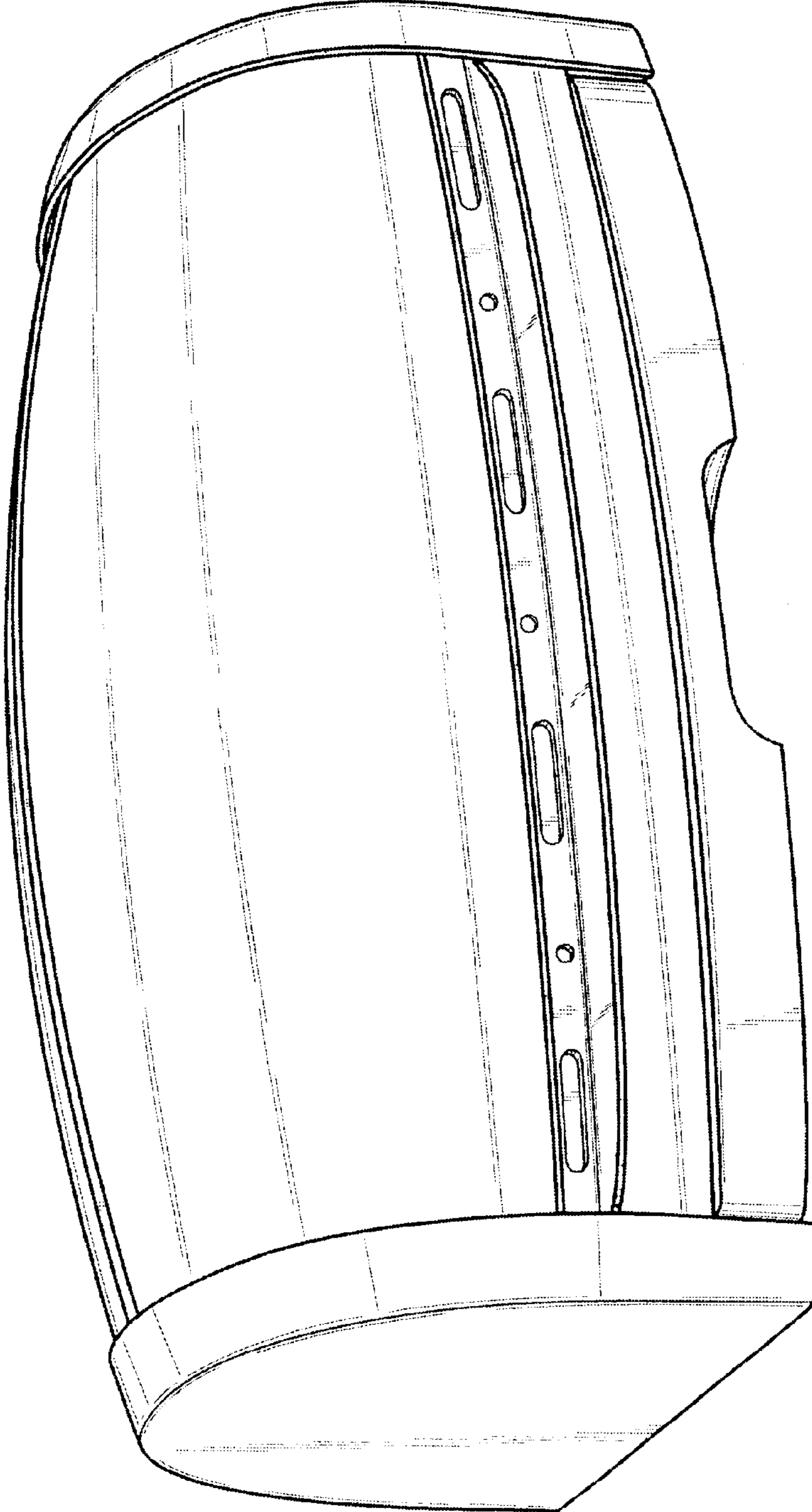


Fig. 1

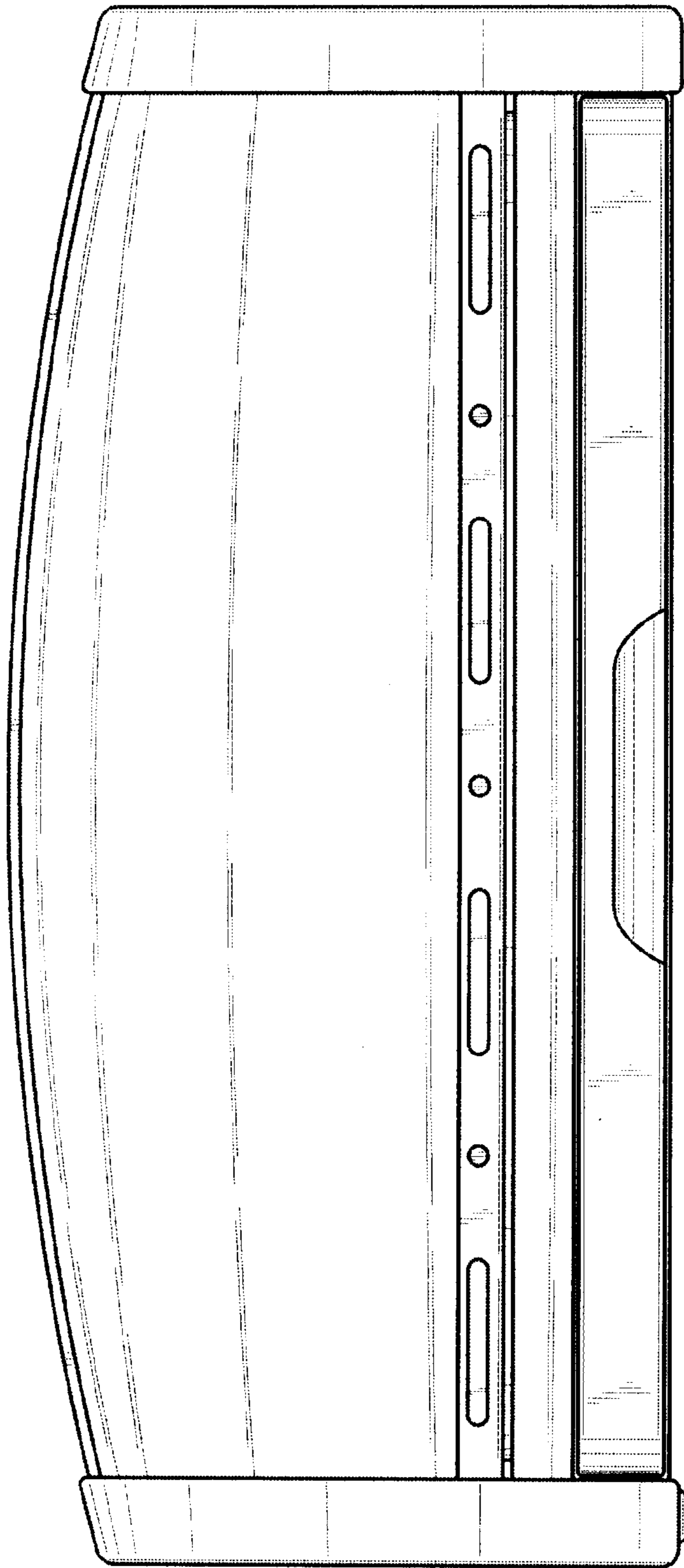


Fig. 2

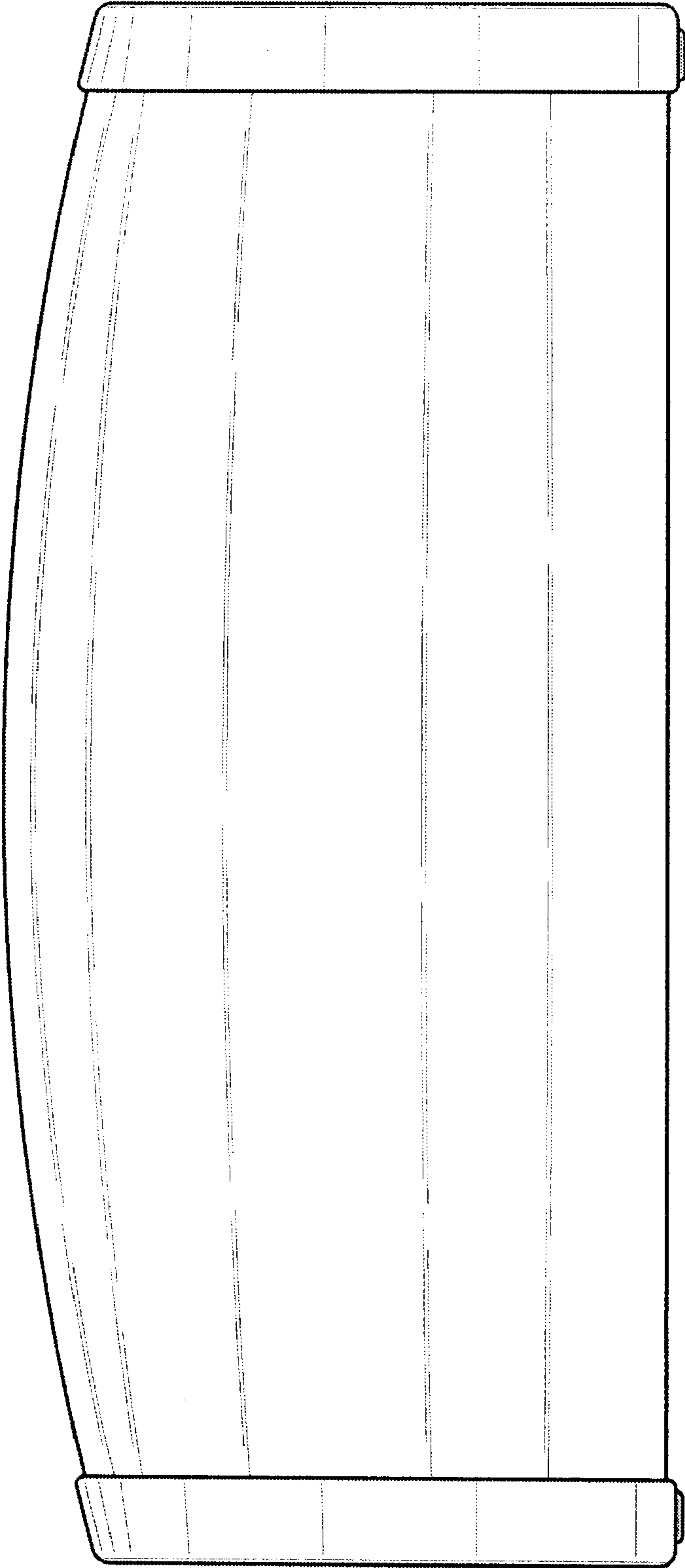


Fig. 3

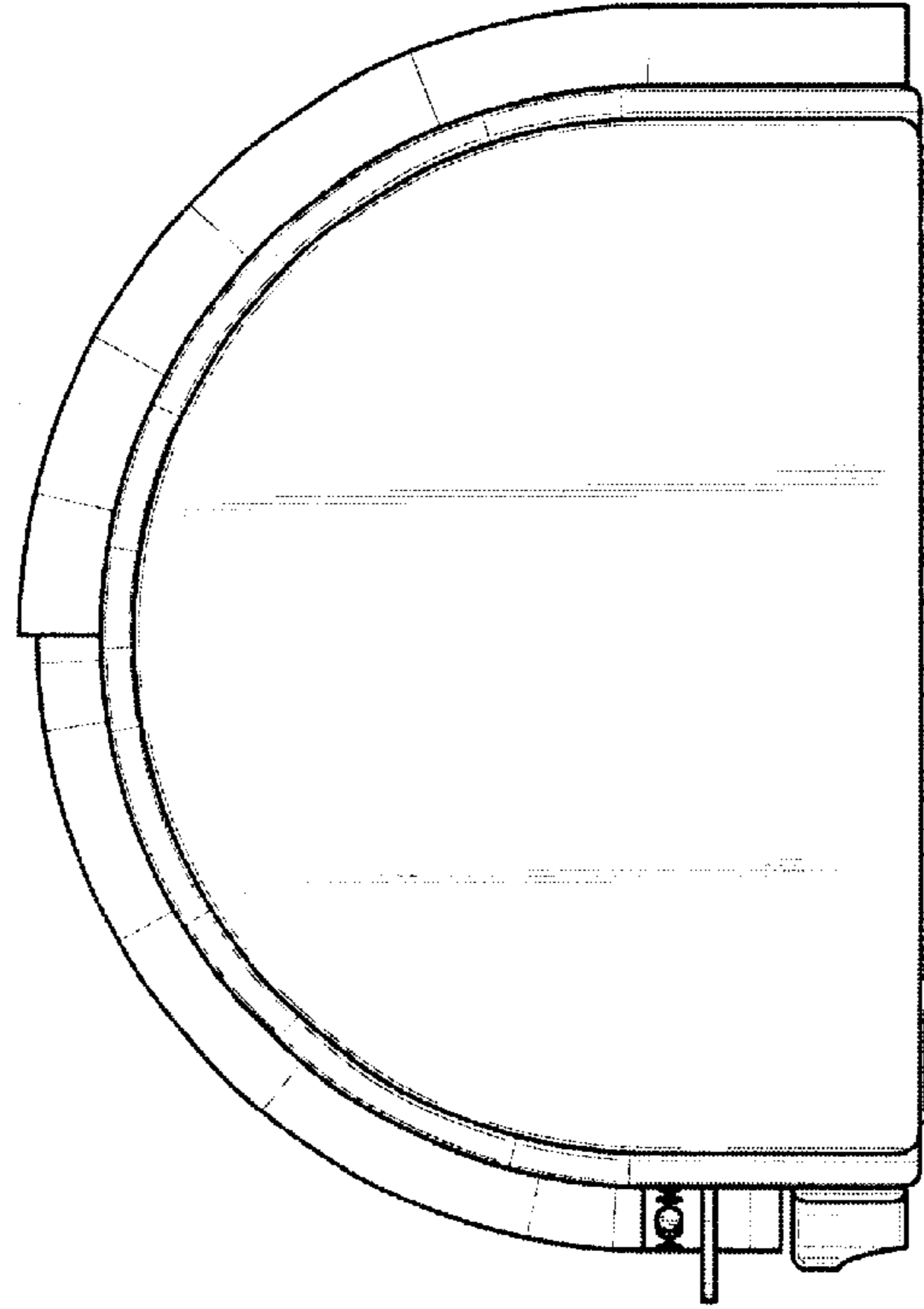


Fig. 5

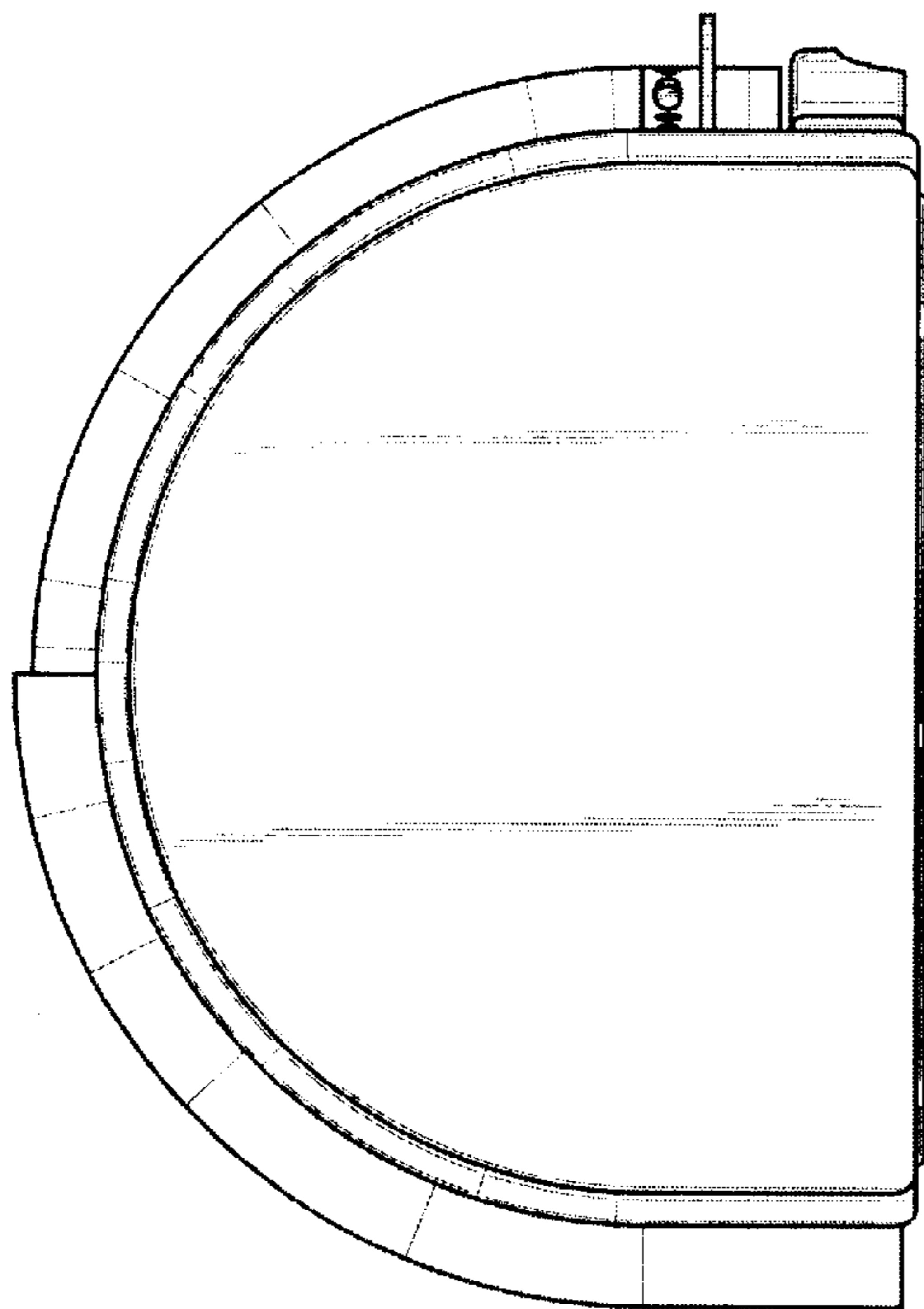


Fig. 4

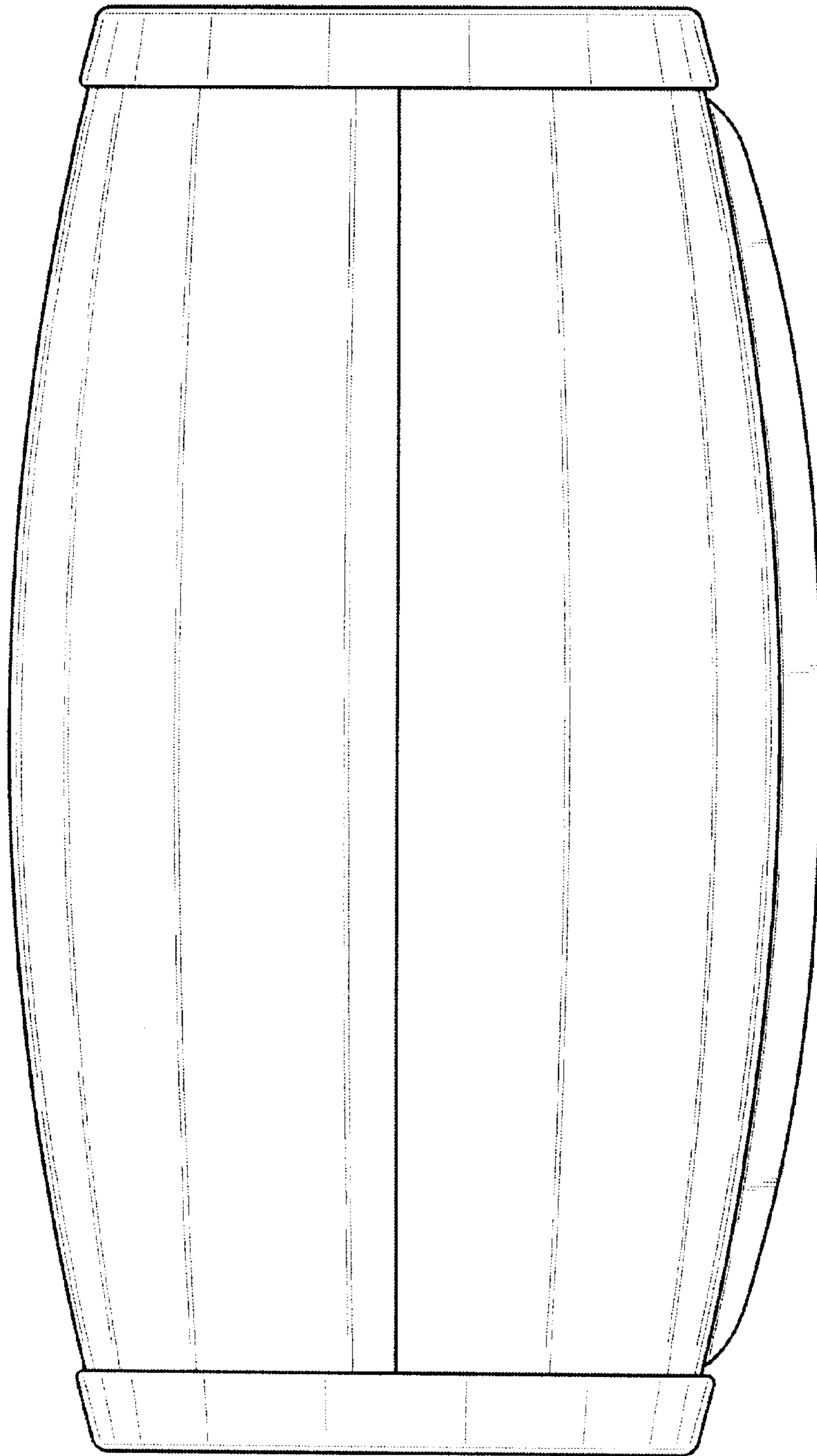


Fig. 6

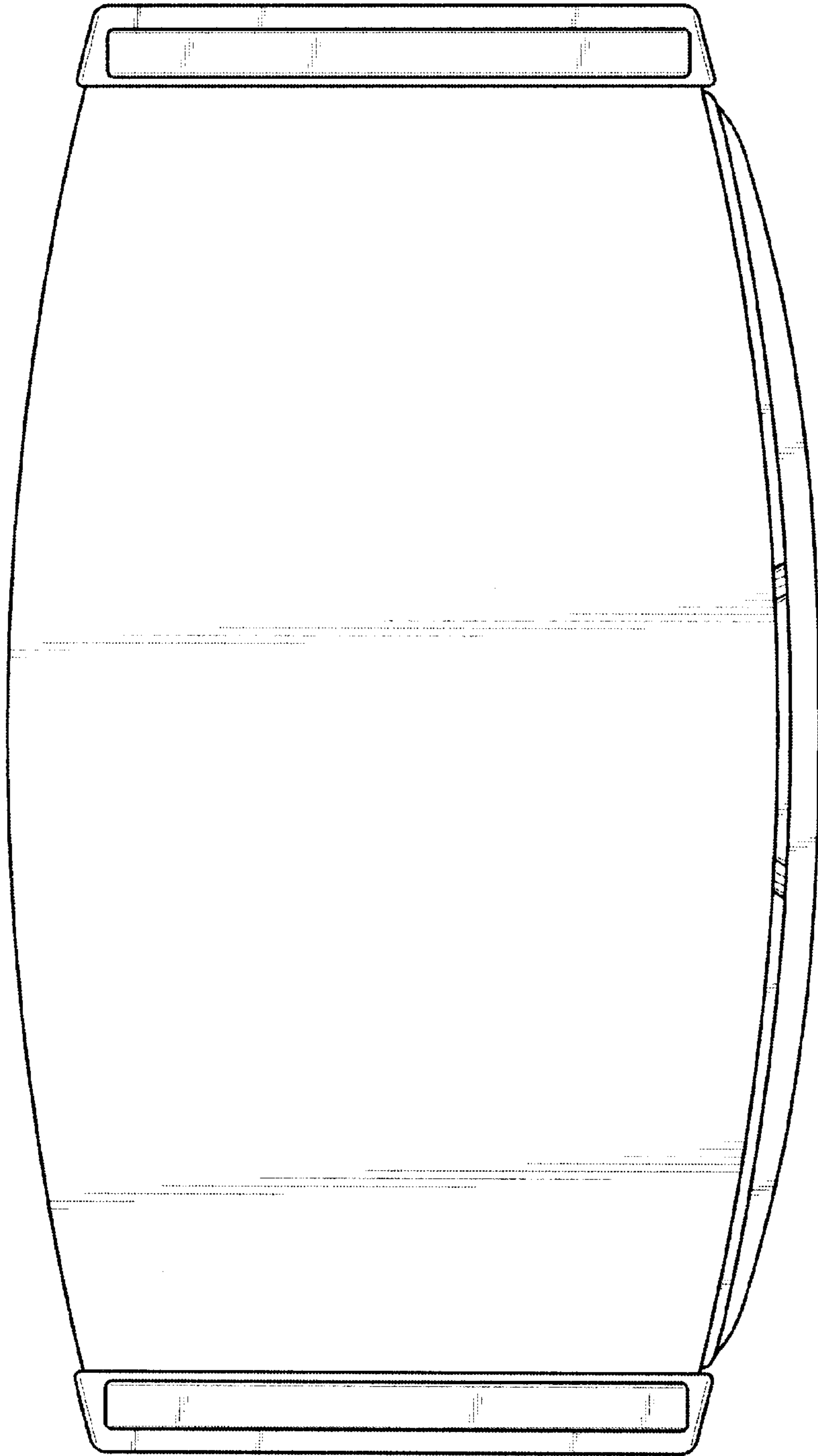


Fig. 7

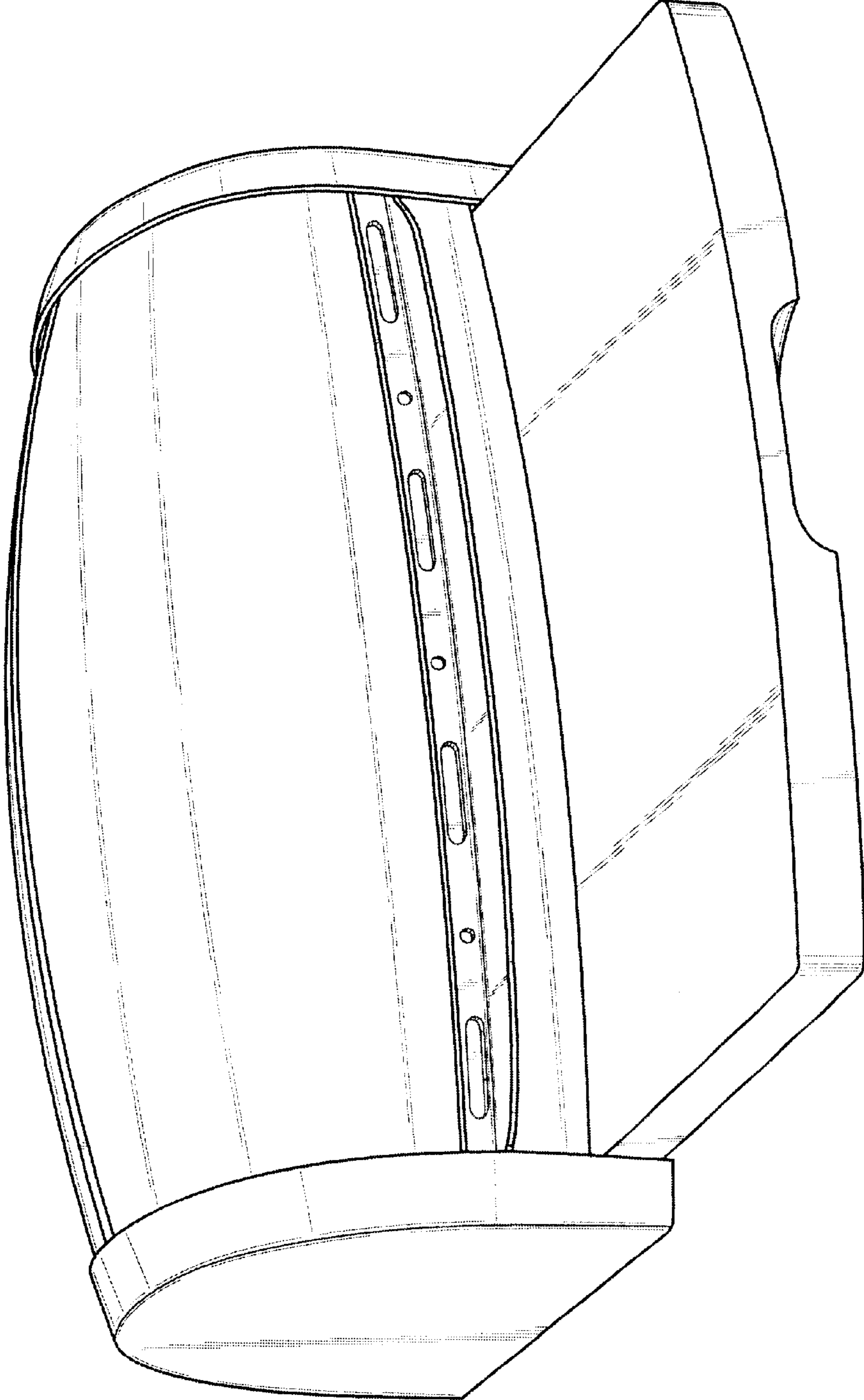


Fig. 8

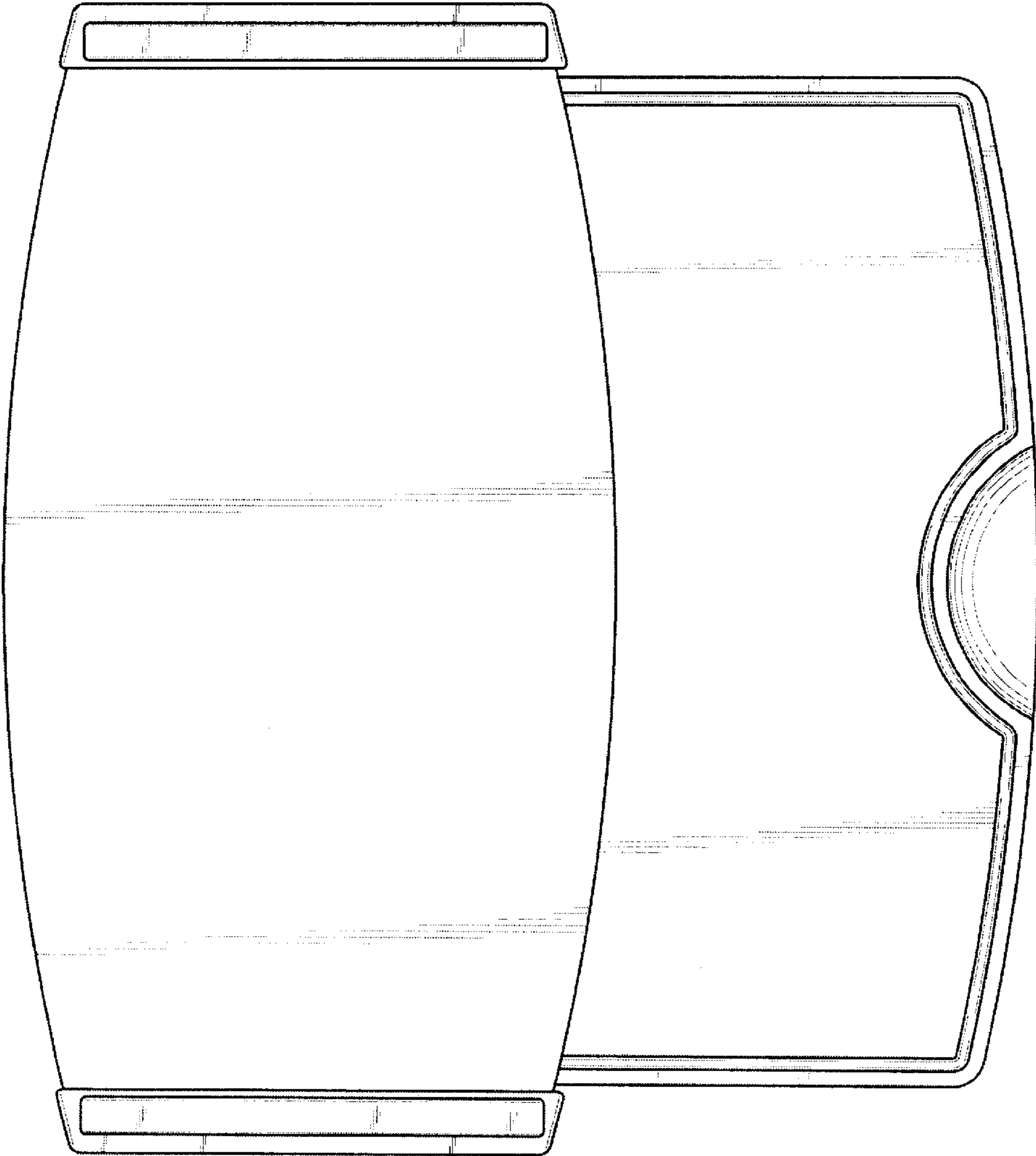
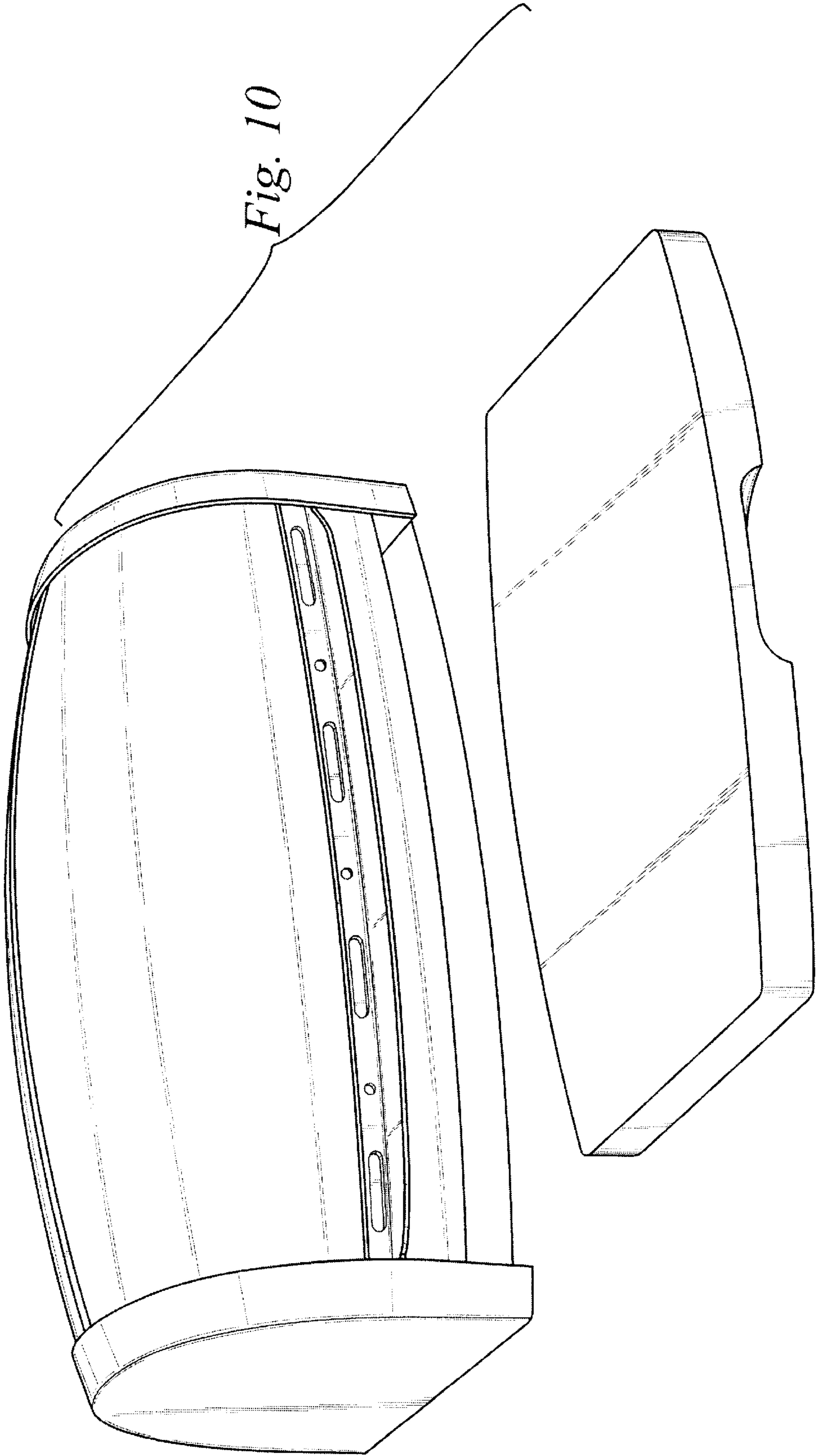


Fig. 9

Fig. 10



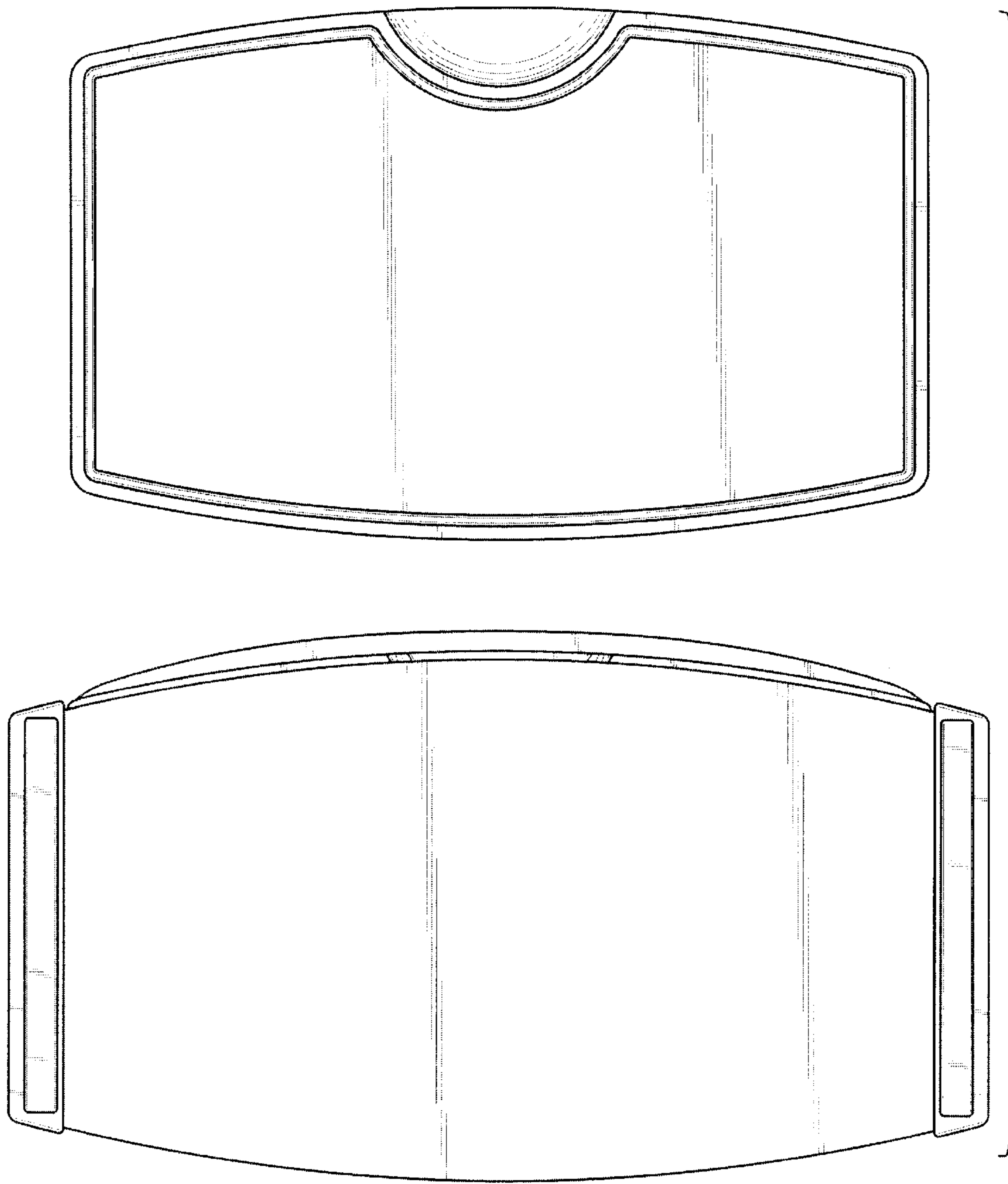


Fig. 11