

US00D522809S

(12) **United States Design Patent** (10) **Patent No.:** **US D522,809 S**
Kusuma et al. (45) **Date of Patent:** **** Jun. 13, 2006**

(54) **CONTAINER**

- (75) Inventors: **David Kusuma**, Orlando, FL (US);
Peter M. Card, Plant City, FL (US);
Hector Javier Barea Lugo, Orlando,
FL (US)
- (73) Assignee: **Dart Industries Inc.**, Orlando, FL (US)
- (**) Term: **14 Years**
- (21) Appl. No.: **29/234,309**
- (22) Filed: **Jul. 15, 2005**

Related U.S. Application Data

- (63) Continuation of application No. 29/209,844, filed on Jul. 22, 2004.
- (51) **LOC (8) Cl.** **07-01**
- (52) **U.S. Cl.** **D7/602; D7/545; D9/429**
- (58) **Field of Classification Search** D7/602,
D7/629, 630, 538–548, 612–615, 584–587;
D9/414, 424–432; 229/406, 902–906; 220/675,
220/780–783, 792–805, 4.21
See application file for complete search history.

(56) **References Cited**

U.S. PATENT DOCUMENTS

3,244,312	A	*	4/1966	Lawson	220/4.21
D213,428	S	*	3/1969	Batdorf	D9/429
D248,076	S	*	6/1978	Christian	D7/545
4,351,447	A	*	9/1982	Graff	220/793
D329,572	S	*	9/1992	Krupa	D7/542
D344,210	S		2/1994	Cousins et al.		
D349,005	S		7/1994	Cousins et al.		
D373,050	S	*	8/1996	Brewer et al.	D7/545
D431,420	S	*	10/2000	Susta	D7/545
D473,426	S	*	4/2003	Jalet et al.	D7/545
D476,861	S	*	7/2003	Zettle et al.	D7/629
D477,186	S	*	7/2003	de Groote et al.	D7/543
D477,970	S	*	8/2003	Thonis	D7/542
D478,474	S	*	8/2003	Zettle	D7/545
2005/0127073	A1		6/2005	Kusuma et al.		
2005/0127074	A1		6/2005	Kusuma et al.		

FOREIGN PATENT DOCUMENTS

FR 994377 7/1999

OTHER PUBLICATIONS

Norman, Copenhagen, Denmark; Design: Boje Estermann, 2004 Funnel: Copy of front and back of package and two photographs of funnel collapsed and extended.
Norman; Copenhagen, Denmark Design: Boje Estermann, 2005 Strainer: Copy of front and back of package and two photographs of strainer.
Collapsible serving tray: date or designer unknown; two photographs—collapsed and extended.

* cited by examiner

Primary Examiner—Terry A. Wallace

(74) *Attorney, Agent, or Firm*—John A. Doninger

(57) **CLAIM**

The ornamental design for a container, as shown and described.

DESCRIPTION

FIG. 1 is a front, side and top perspective view of the container showing our new design;
FIG. 2 is a front elevation view thereof, the opposite back elevation being the same;
FIG. 3 is a side elevation view thereof, the opposite side elevation being the same;
FIG. 4 is a top plan view thereof;
FIG. 5 is a bottom plan view thereof;
FIG. 6 is a front, side and top perspective view of a variation thereof;
FIG. 7 is a front elevation view thereof, the opposite back elevation being the same;
FIG. 8 is a side elevation view thereof, the opposite side elevation being the same;
FIG. 9 is a top plan view thereof;
FIG. 10 is a bottom plan view thereof;
FIG. 11 is a front, side and top perspective view of a variation thereof;
FIG. 12 is an elevation view of the variation of FIG. 6, all elevation views thereof being the same;
FIG. 13 is a top plan view thereof; and,
FIG. 14 is a bottom plan view thereof.

1 Claim, 12 Drawing Sheets

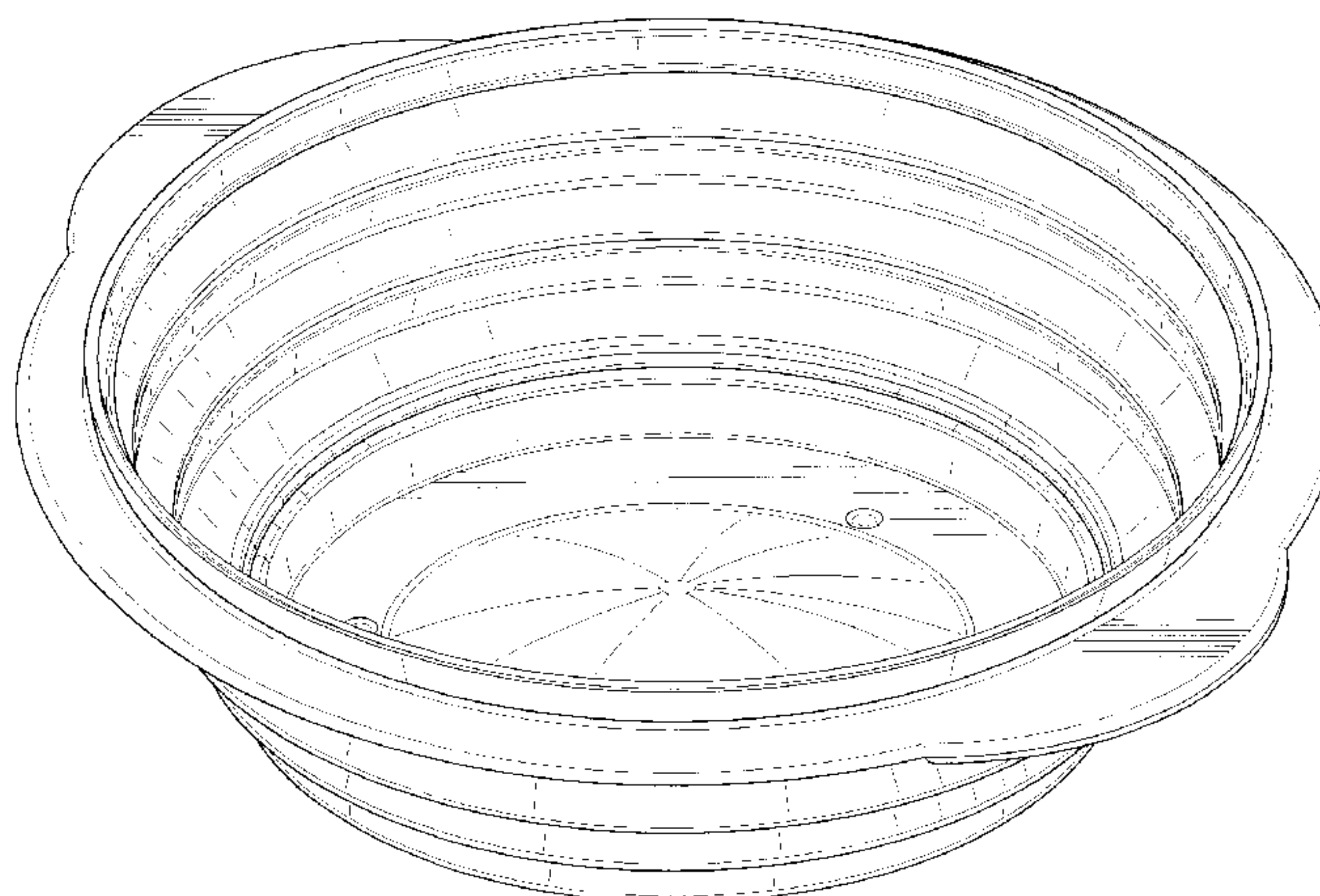
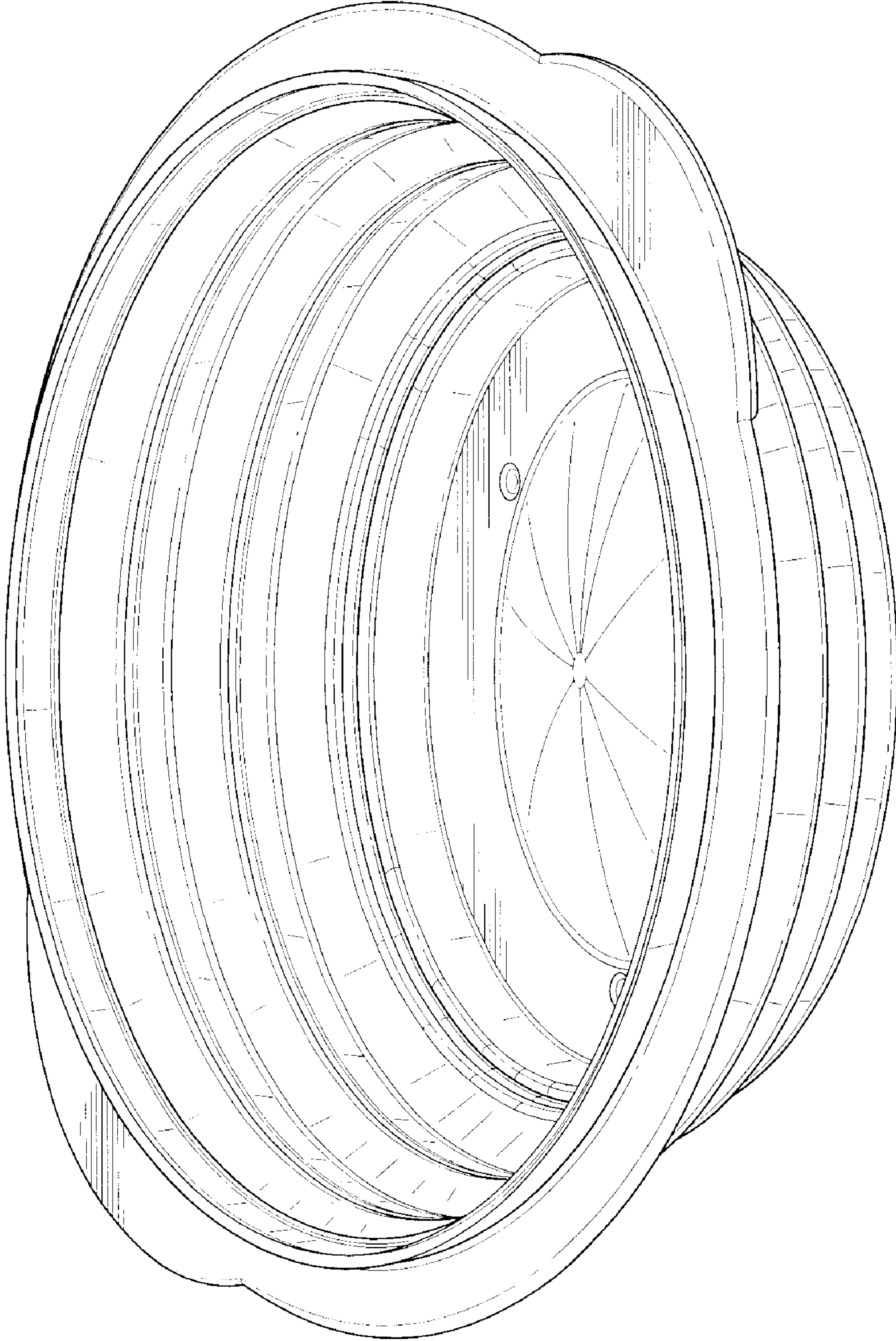


FIG.1



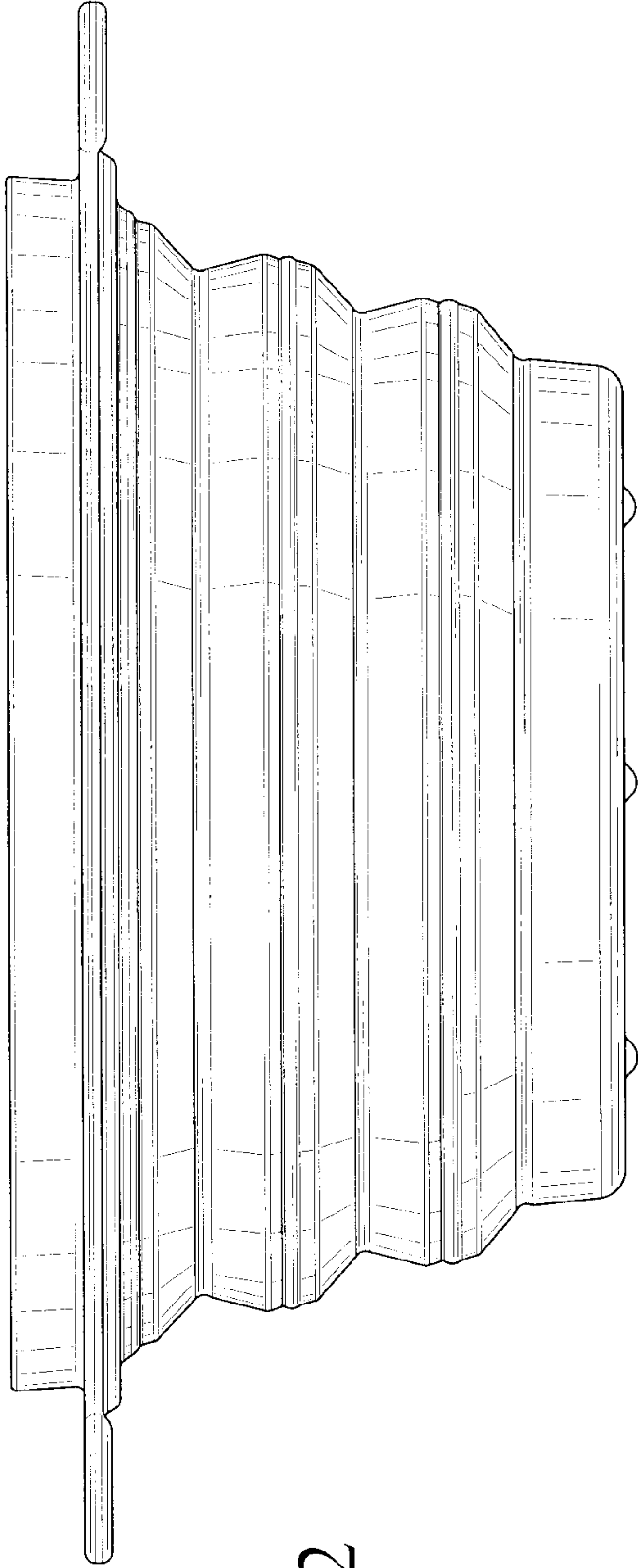


FIG. 2



FIG. 3

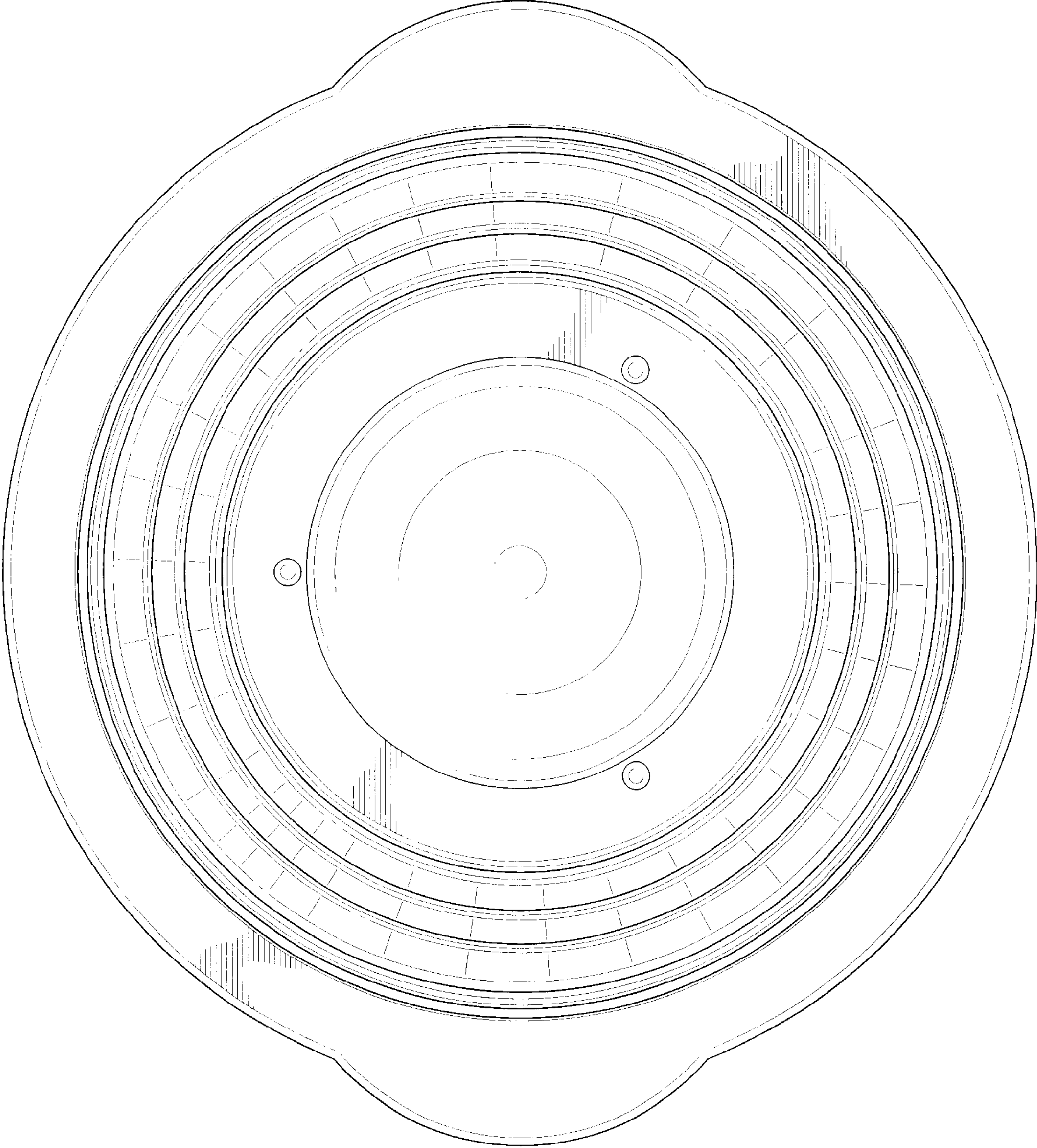


FIG.4

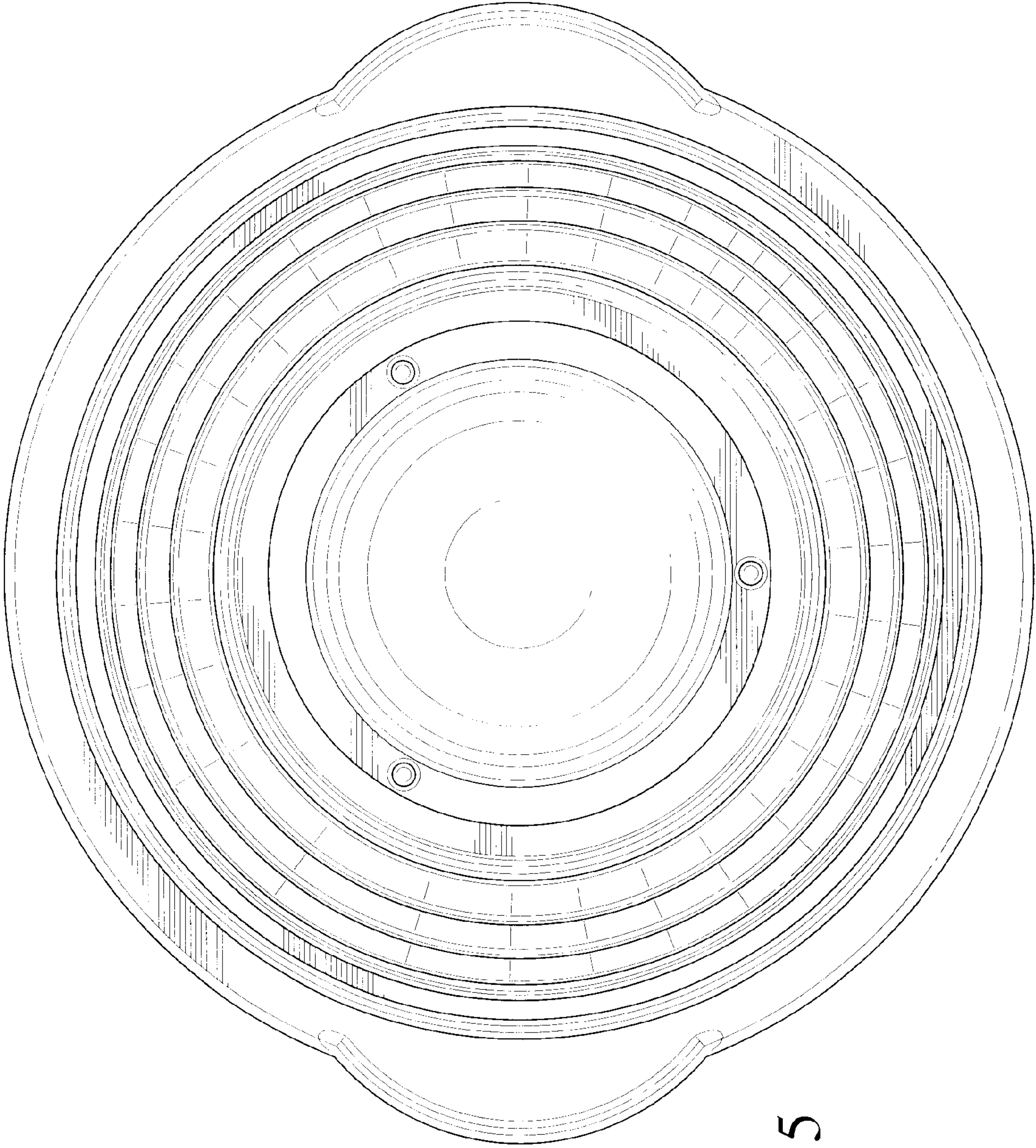
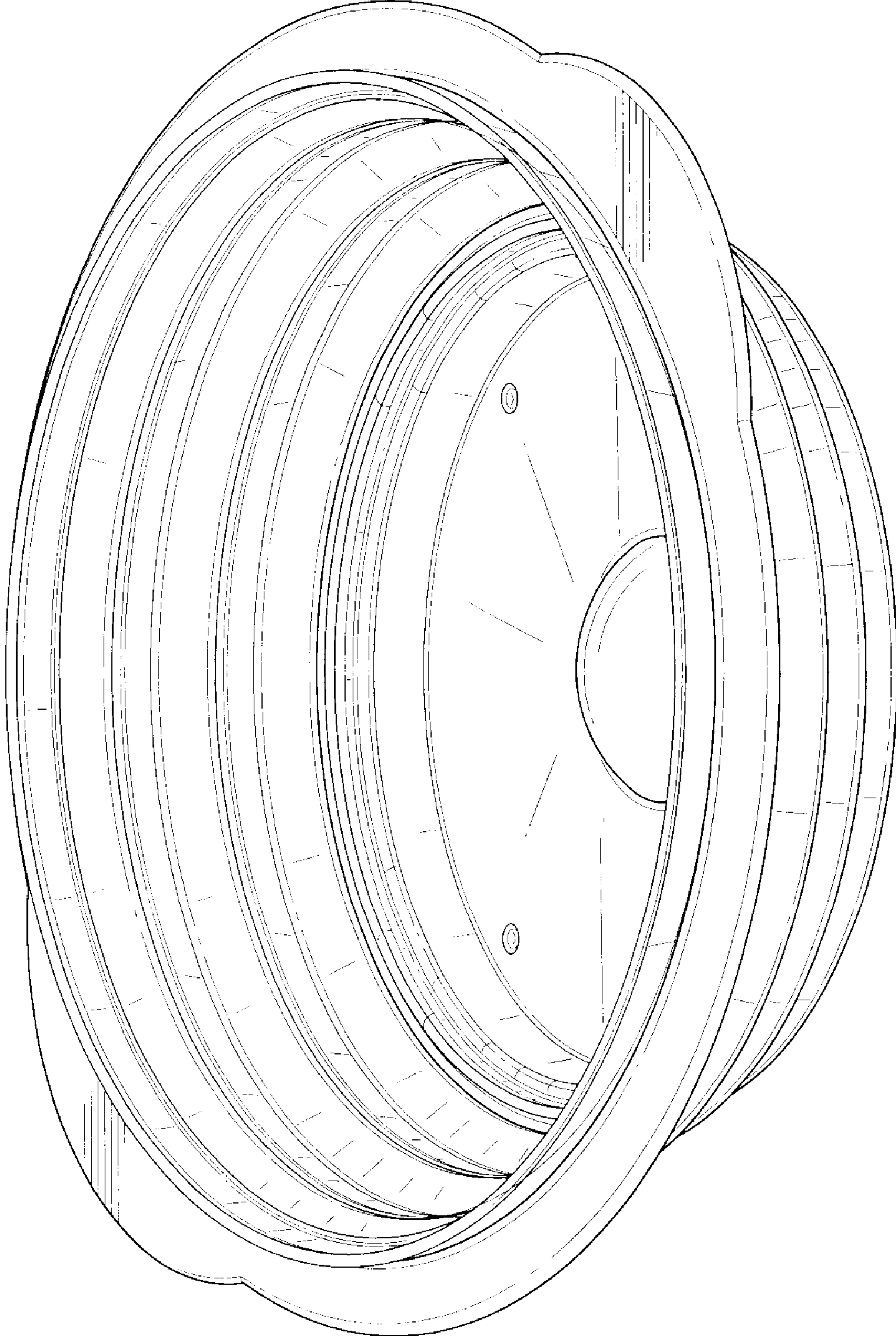


FIG. 5

FIG.6



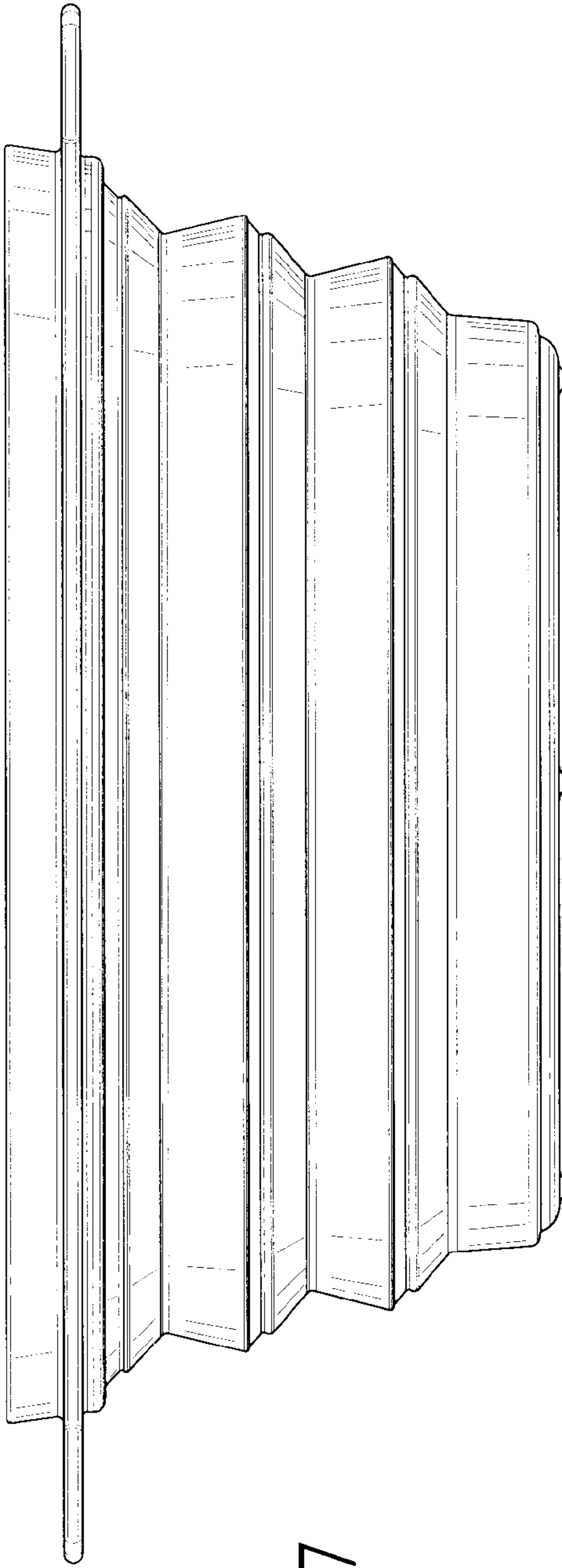


FIG. 7

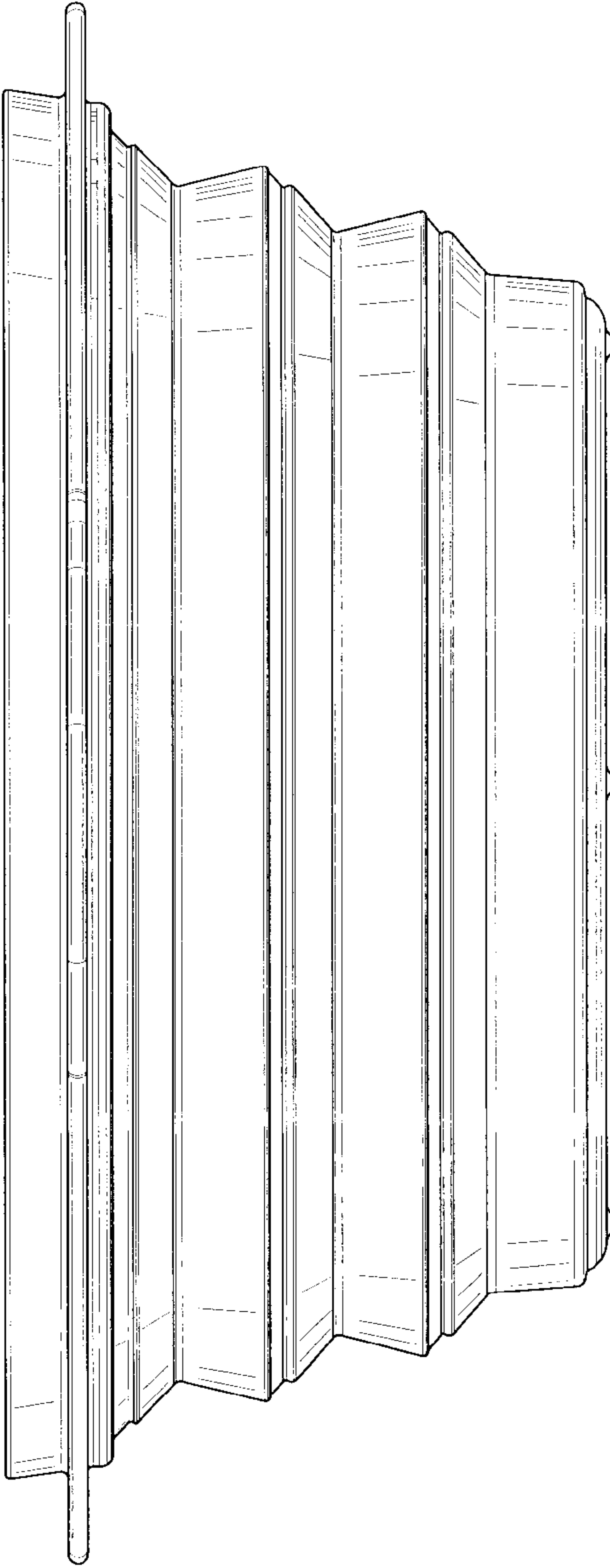


FIG. 8

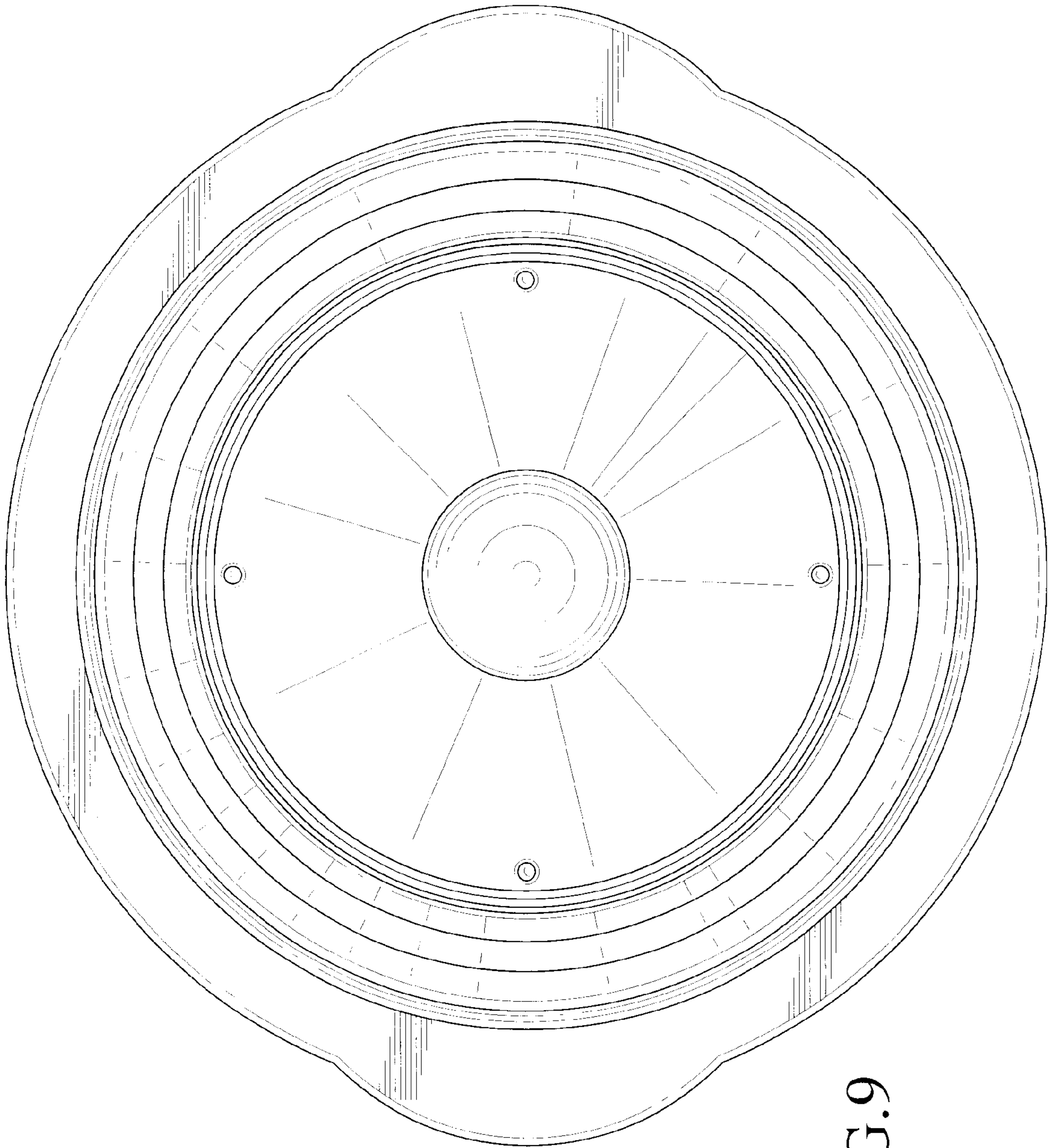


FIG. 9

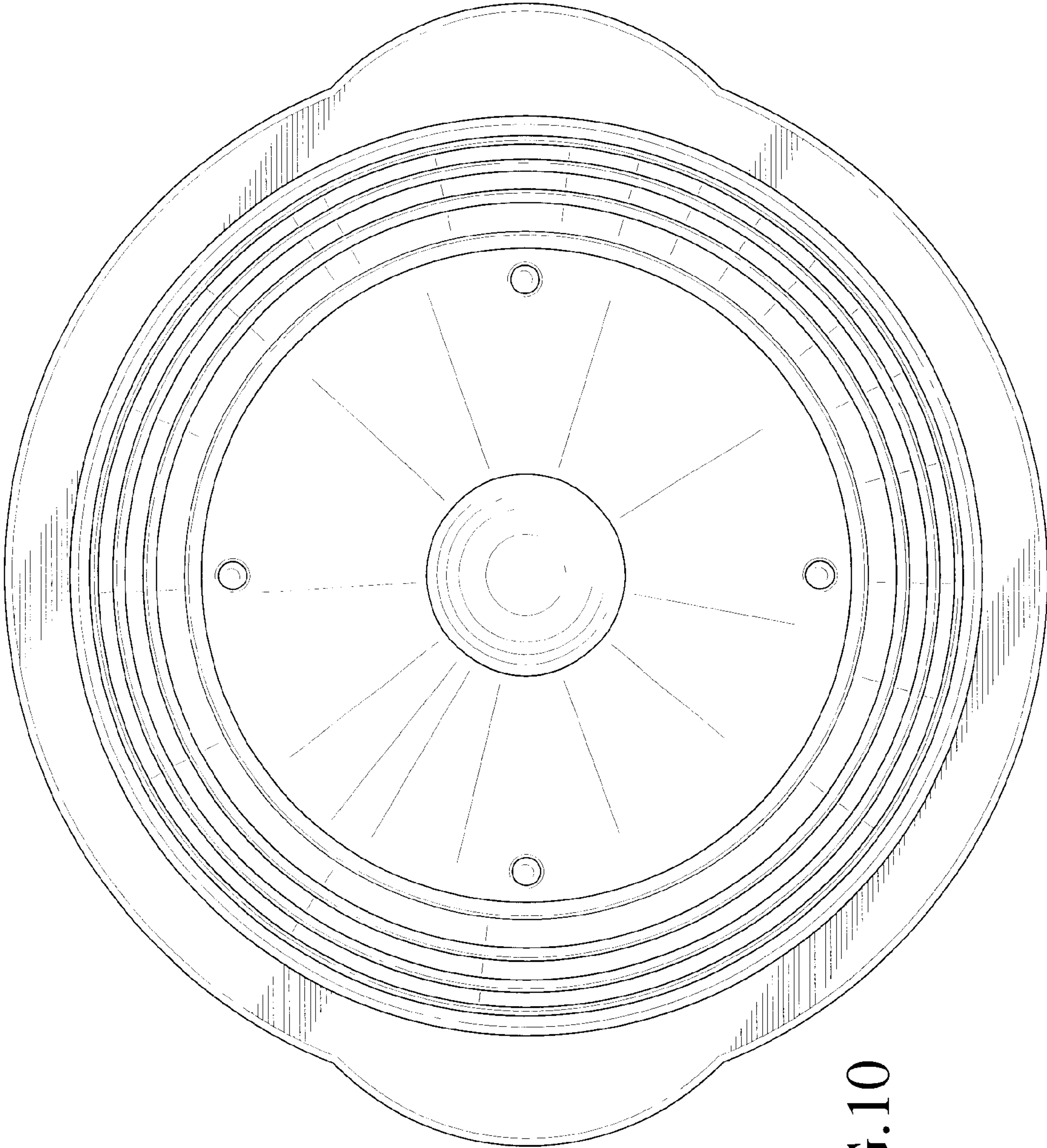


FIG.10

FIG. 11

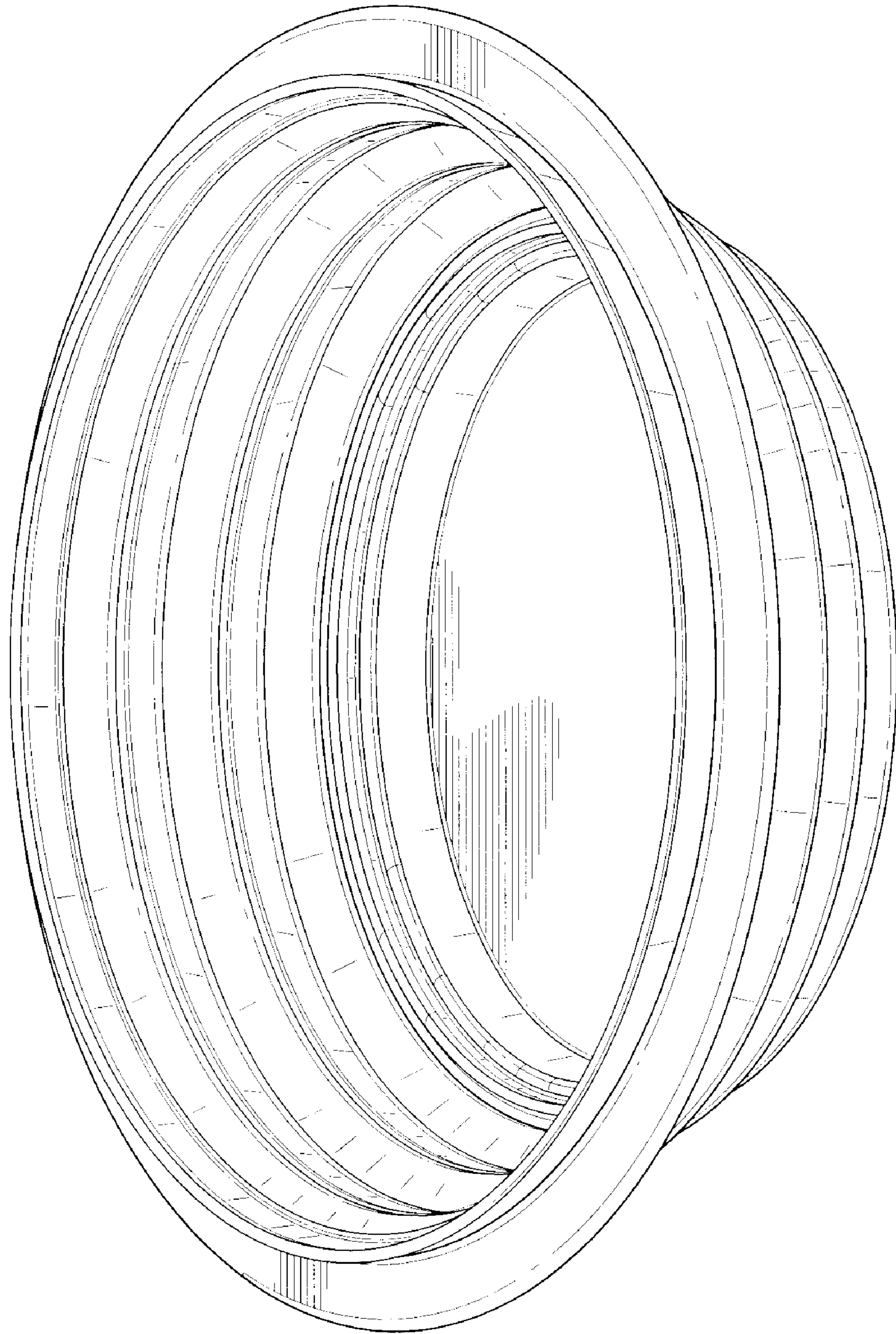
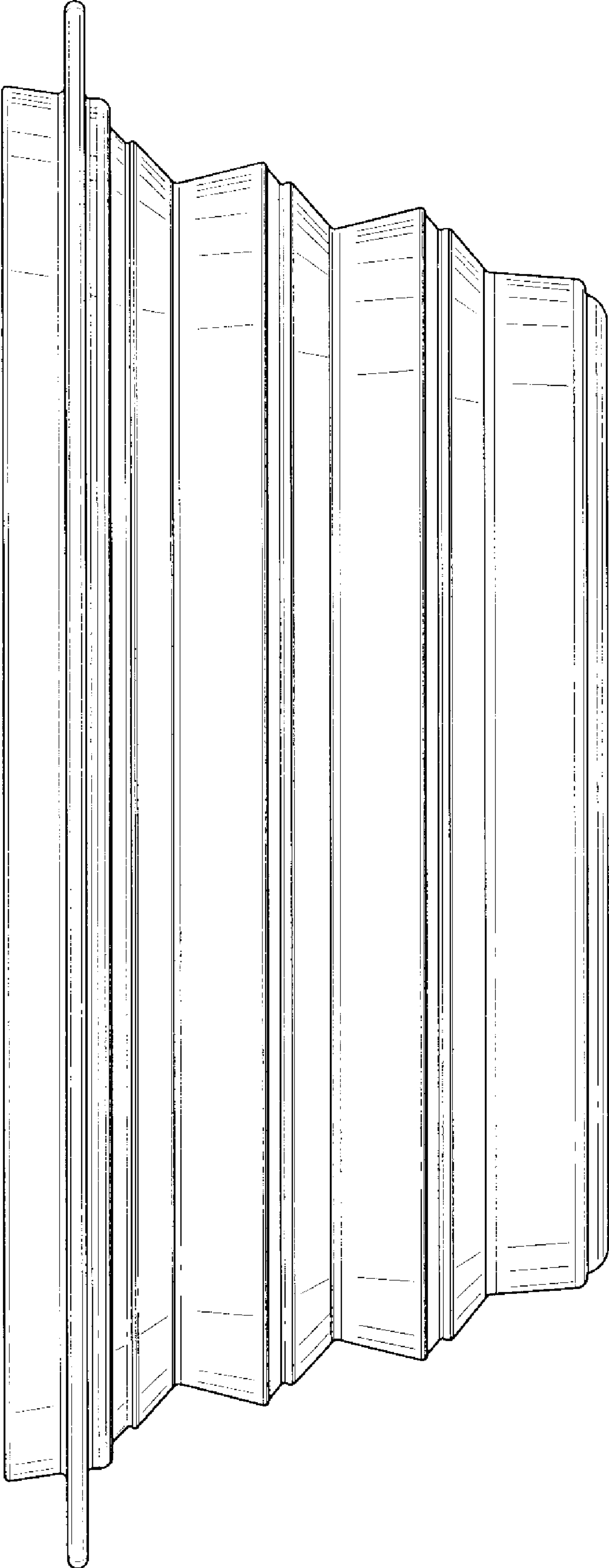


FIG. 12



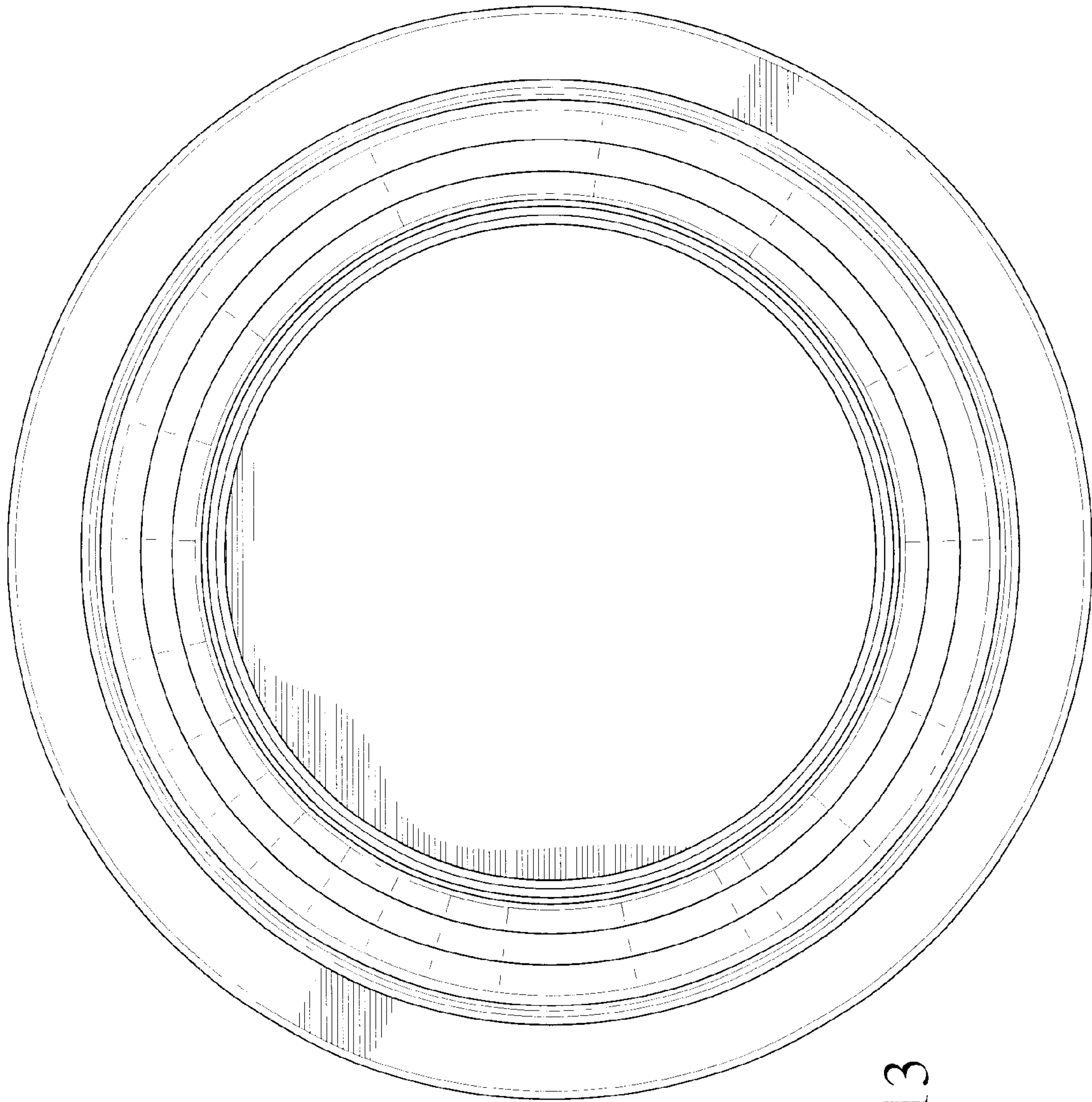


FIG.13

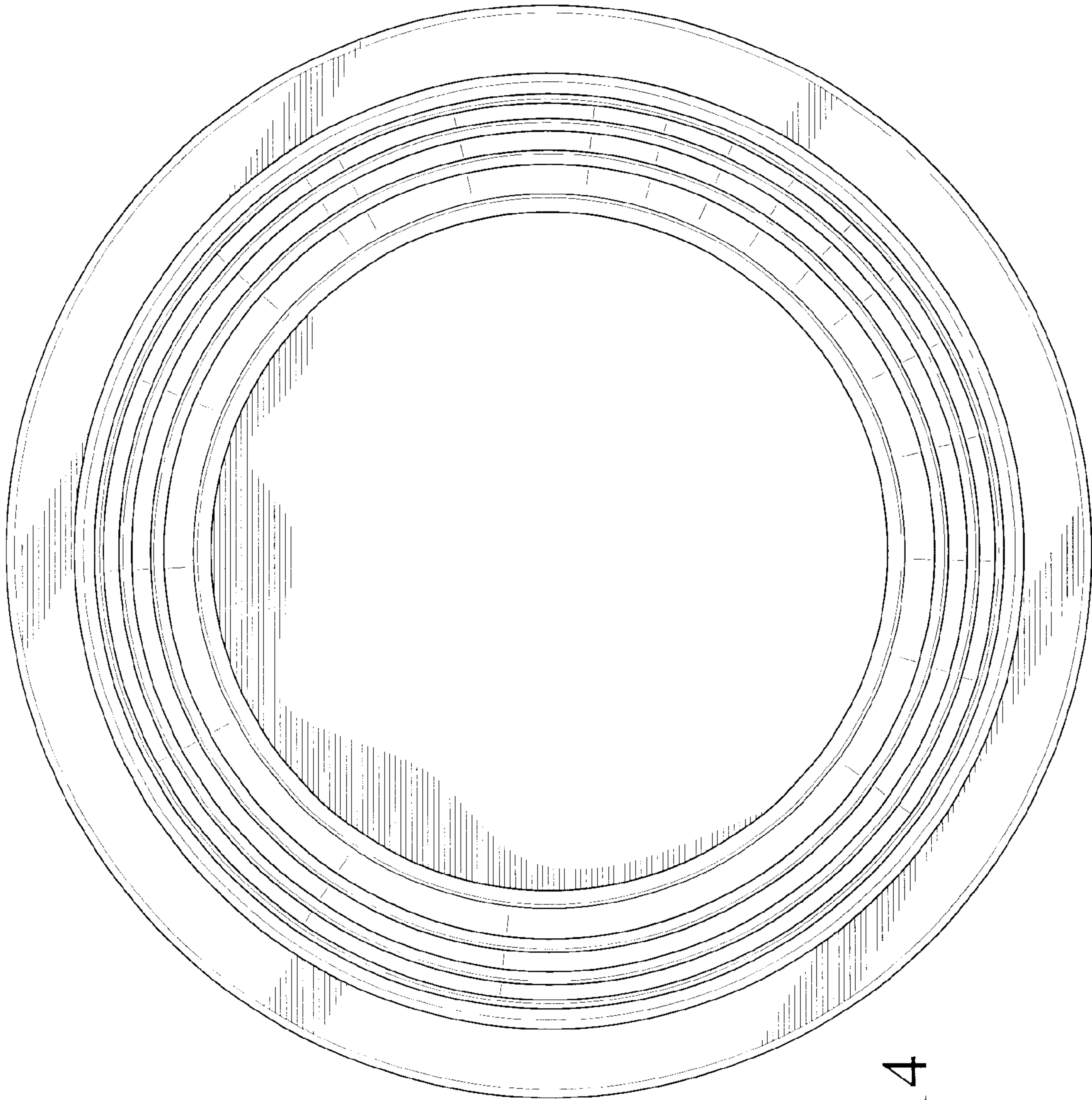


FIG. 14