



US00D522807S

(12) **United States Design Patent**
Dow et al.

(10) **Patent No.: US D522,807 S**
(45) **Date of Patent: ** Jun. 13, 2006**

(54) **COMBINATION ROASTING UTENSIL AND LIQUID INFUSER**

(75) Inventors: **Shannon Dow**, Berkeley, CA (US);
Sharon Ellen Kallenberger, Alameda, CA (US)

(73) Assignee: **Charcoal Companion Incorporated**, Emeryville, CA (US)

(**) Term: **14 Years**

(21) Appl. No.: **29/232,676**

(22) Filed: **Jun. 21, 2005**

Related U.S. Application Data

(63) Continuation of application No. 29/212,967, filed on Sep. 10, 2004, now Pat. No. Des. 506,532.

(51) **LOC (8) Cl.** **07-02**

(52) **U.S. Cl.** **D7/409; D7/361**

(58) **Field of Classification Search** D7/354-361,
D7/409, 550.1, 553.1, 553, 553.7, 566, 586-588;
D28/61; 219/732, 735; 206/558; 220/574,
220/575; 99/345, 347, 419, 422, 448
See application file for complete search history.

(56) **References Cited**

U.S. PATENT DOCUMENTS

6,125,739 A * 10/2000 Jernigan 99/345
D453,308 S * 2/2002 McCauley D11/152
D453,488 S * 2/2002 McCauley D11/152
6,467,399 B1 * 10/2002 Boutte 99/347
6,487,964 B1 * 12/2002 Snoke et al. 99/345

D486,991 S * 2/2004 Lee D7/357
D506,352 S * 6/2005 Dow et al. D7/361
2002/0100371 A1 * 8/2002 Snoke et al. 99/419
2002/0195000 A1 * 12/2002 Hester 99/345
2002/0195001 A1 * 12/2002 Hester 99/345

OTHER PUBLICATIONS

Halco, Harold Leonard & Co. Inc., Quality Crafted Food Service Products, 1999□□Food Preparation, p. 50□□Item # 79269, "Brad and Loaf Pans".*

* cited by examiner

Primary Examiner—Caron D. Veynar

Assistant Examiner—Ricky Pham

(74) *Attorney, Agent, or Firm*—Donald L. Beeson; Beeson Skinner Beverly

(57) **CLAIM**

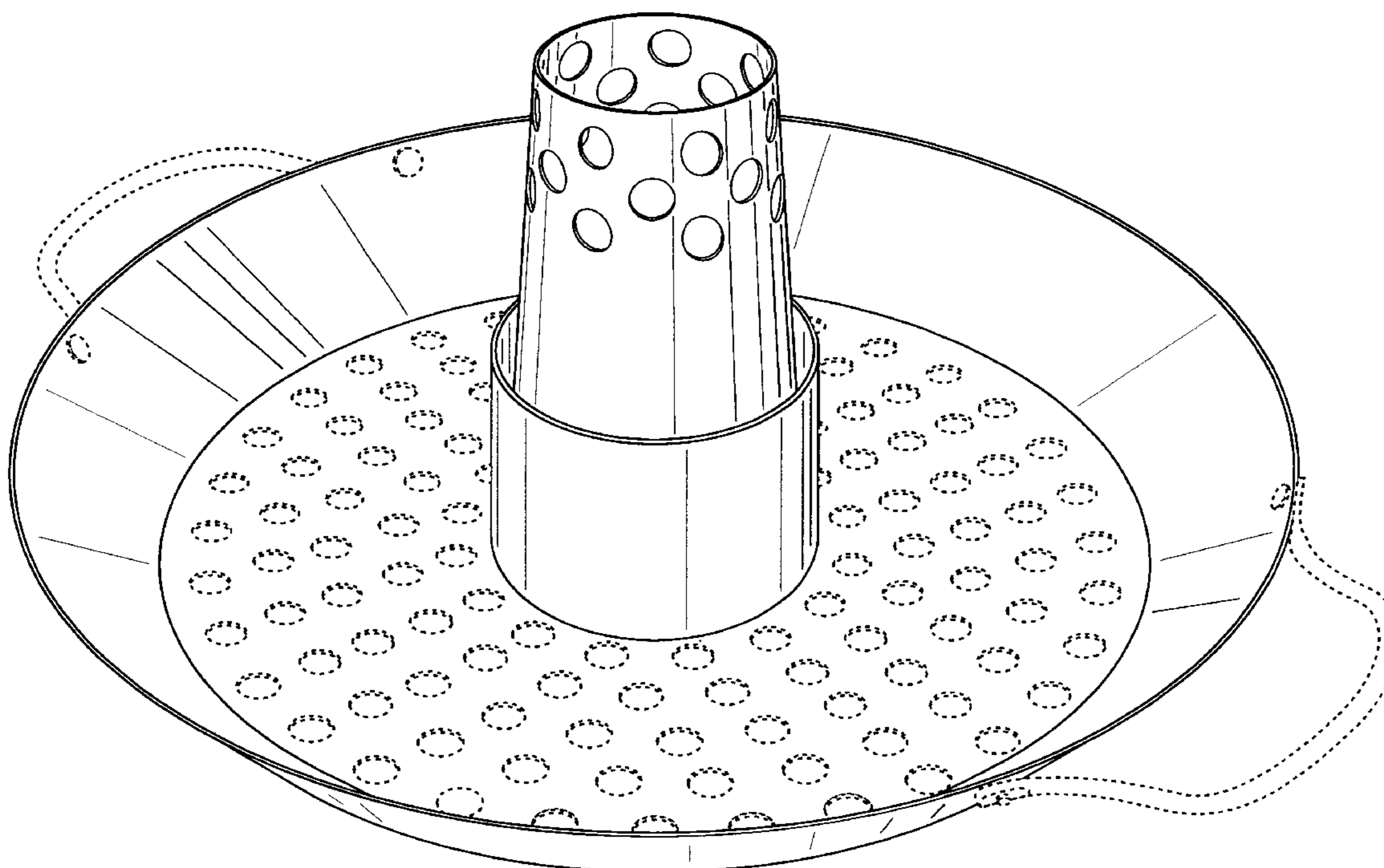
The ornamental design for a combination roasting utensil and liquid infuser, as shown and described.

DESCRIPTION

FIG. 1 is an enlarged top perspective view of a combination roasting utensil and liquid infuser showing our new design; FIG. 2 is a front elevational view thereof; FIG. 3 is a rear elevational view thereof; FIG. 4 is a left side elevational view thereof; FIG. 5 is a right side elevational view thereof; FIG. 6 is a top plan view thereof; and, FIG. 7 is a bottom plan view thereof.

The broken lines shown in FIGS. 1-7 are for illustrative purposes only and form no part of the claimed design.

1 Claim, 5 Drawing Sheets



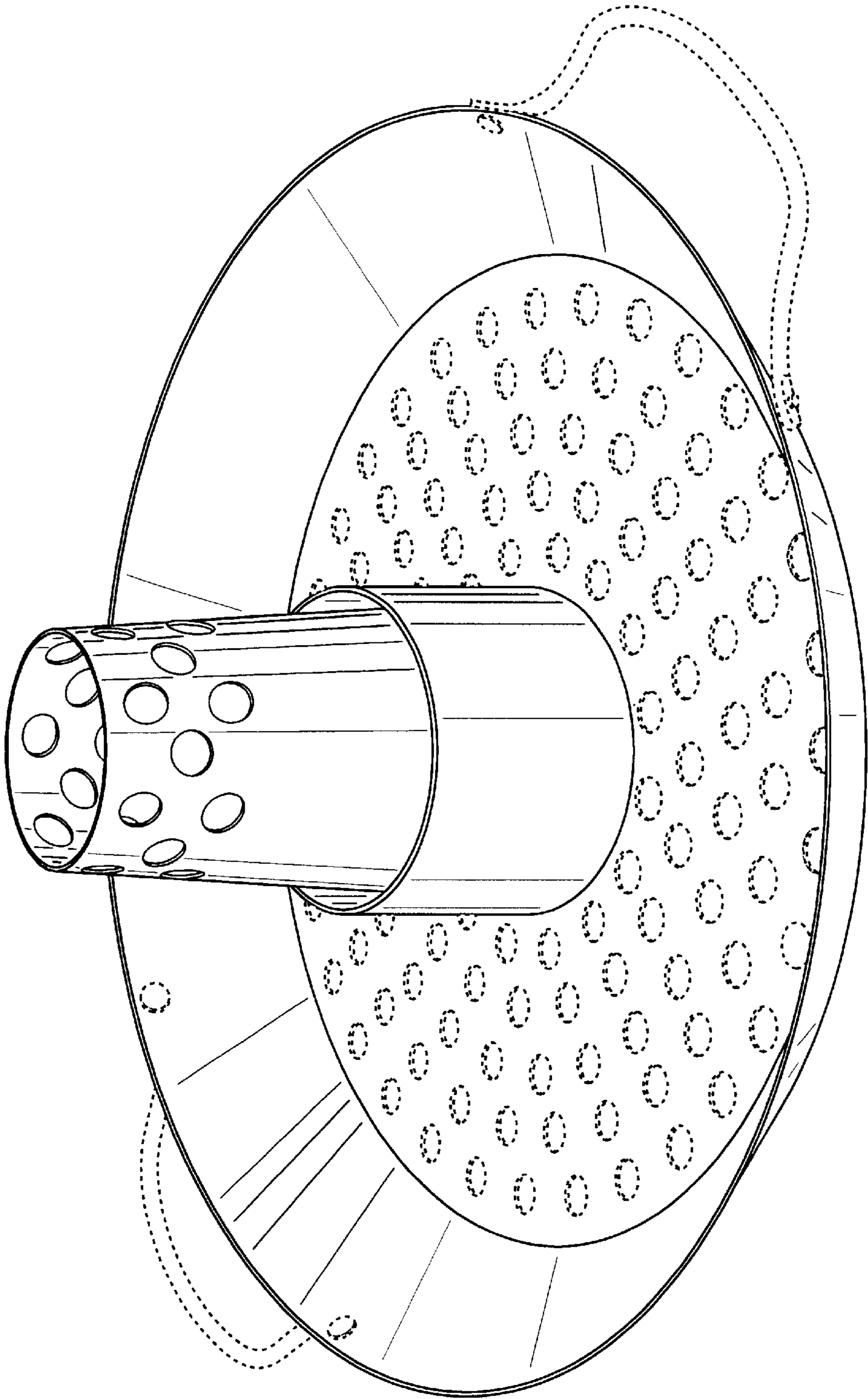
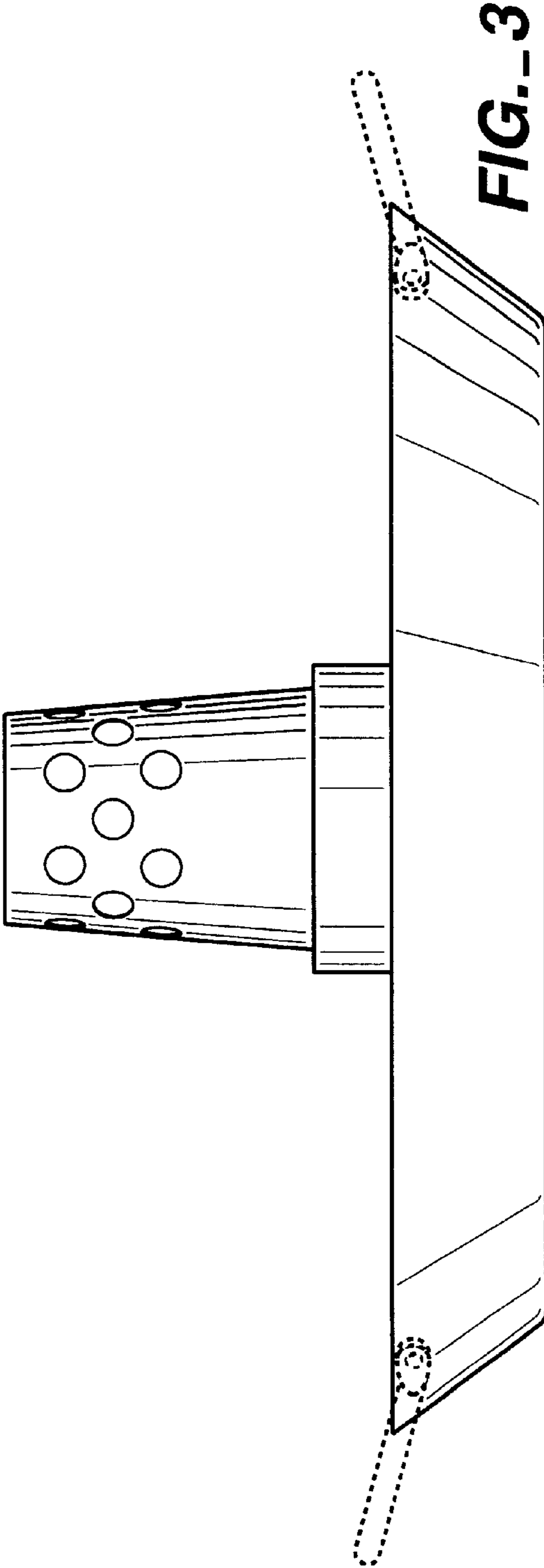
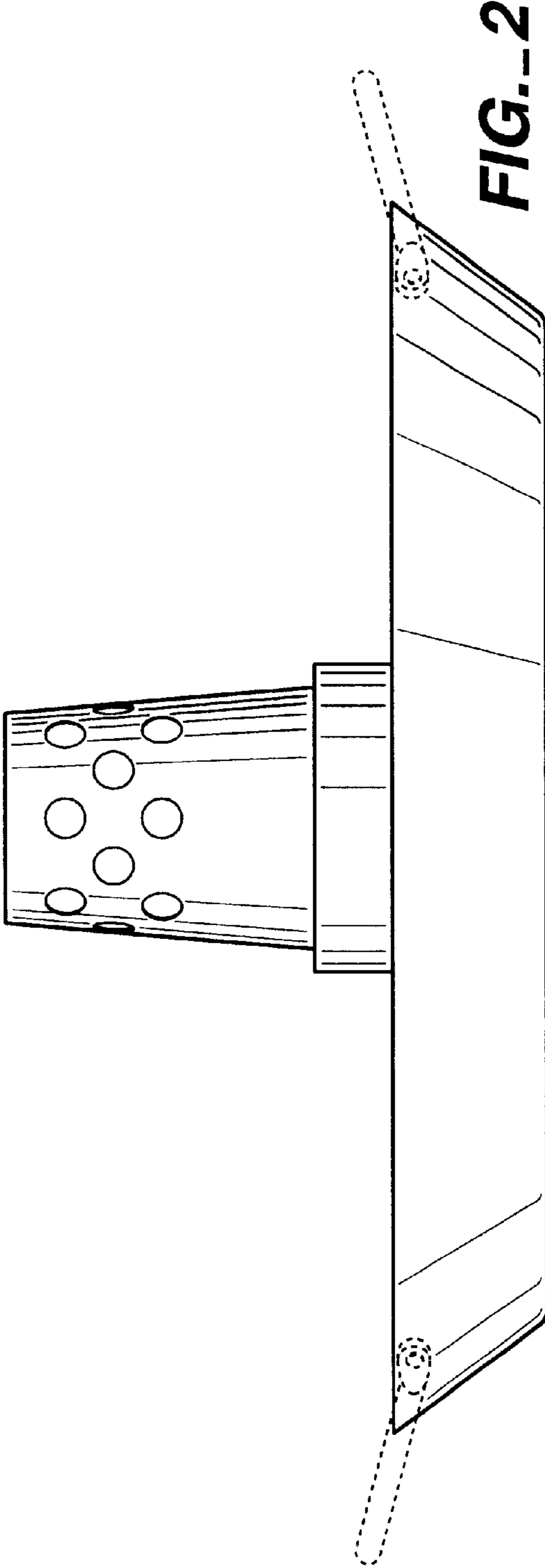
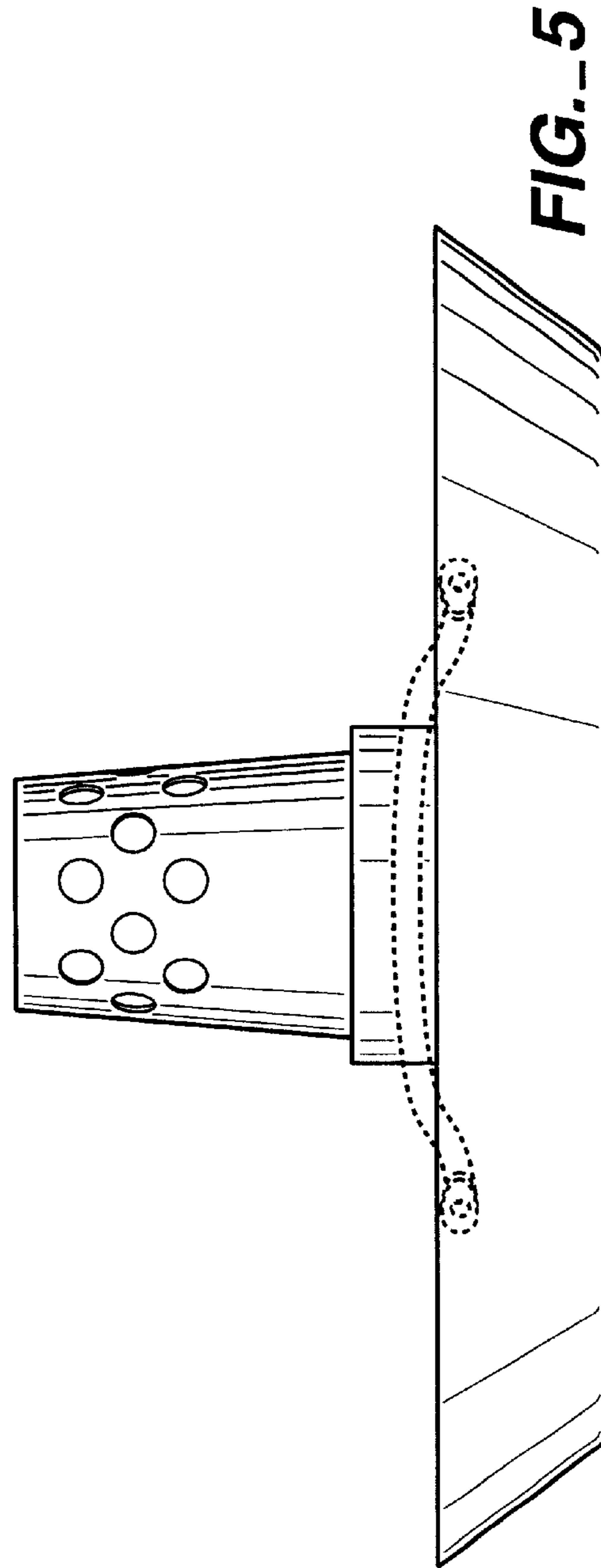
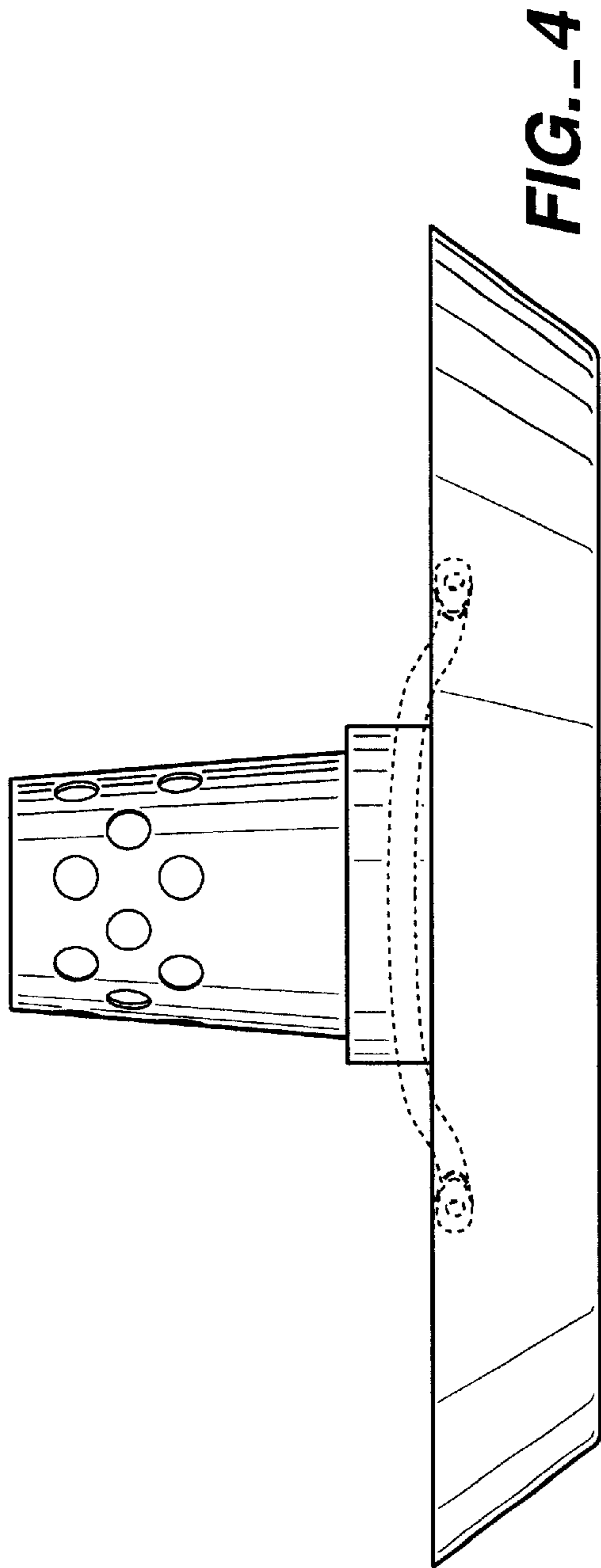


FIG. 1





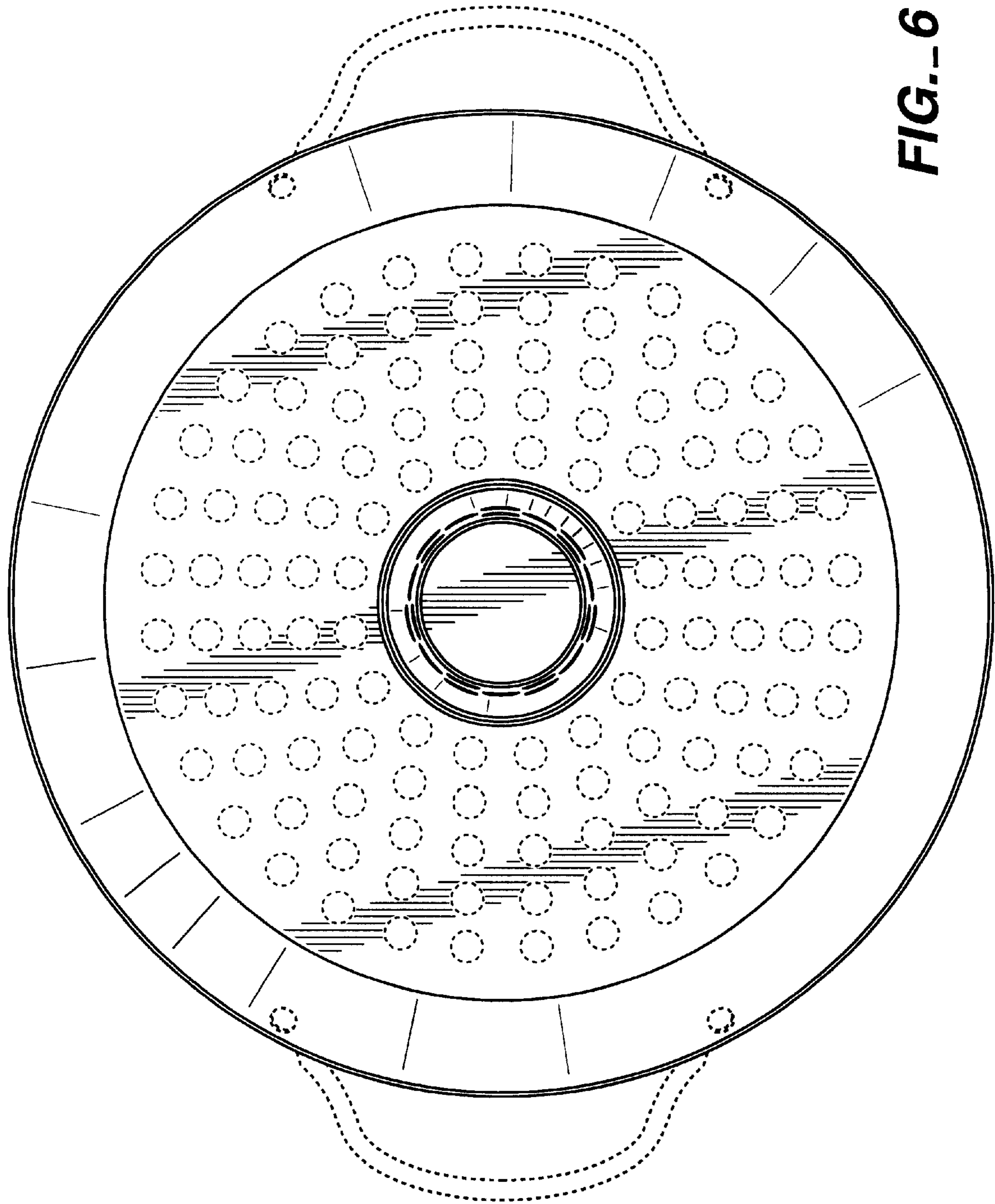


FIG. 6

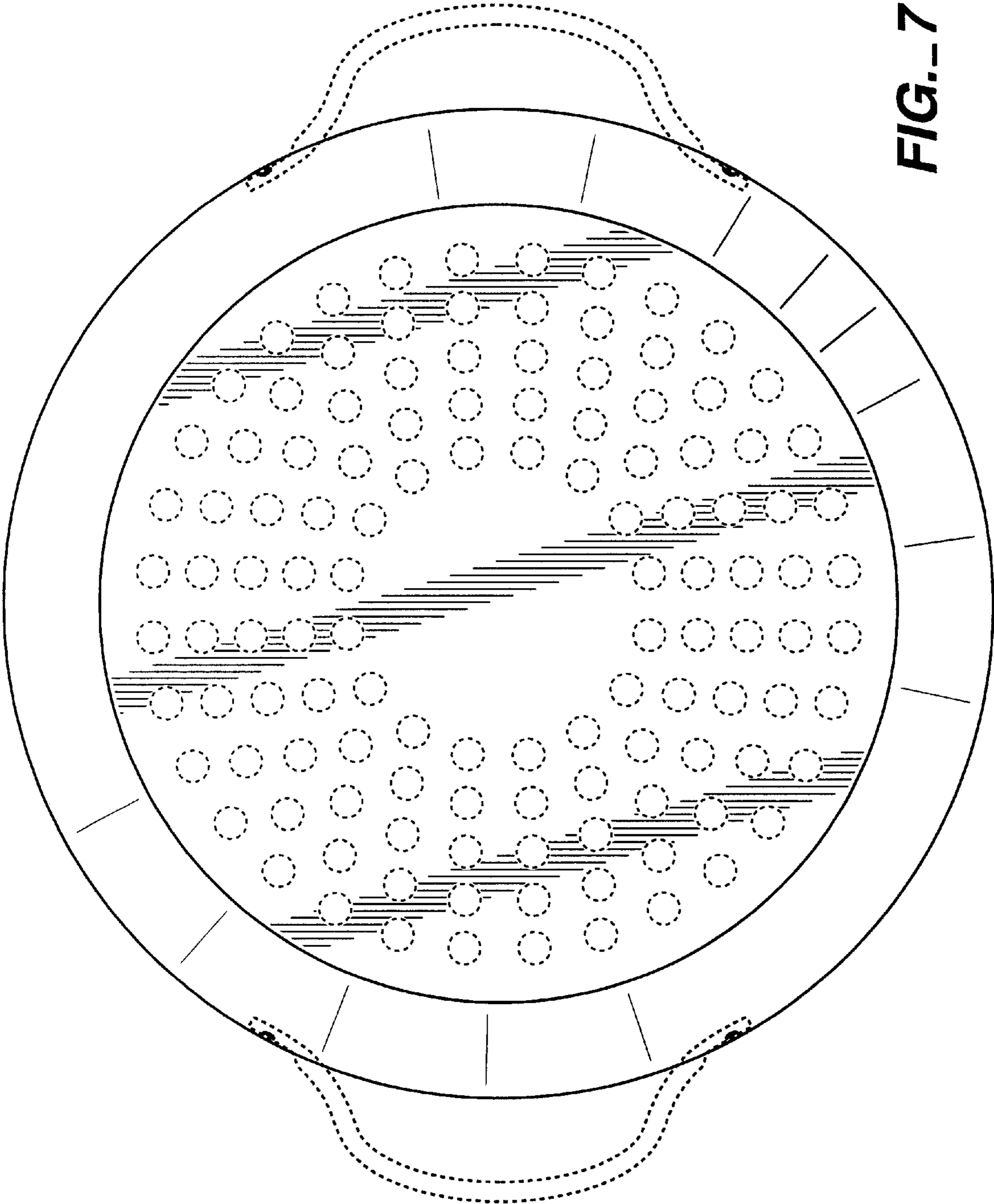


FIG. 7