



US00D522803S

(12) **United States Design Patent**
Lam

(10) **Patent No.:** **US D522,803 S**

(45) **Date of Patent:** **** Jun. 13, 2006**

(54) **WAFFLE IRON**

(75) Inventor: **Po-Hei Lam**, Homestead (HK)

(73) Assignee: **Poking Industrial Company, Limited**
(HK)

(**) Term: **14 Years**

(21) Appl. No.: **29/229,163**

(22) Filed: **May 4, 2005**

(51) **LOC (8) Cl.** **07-02**

(52) **U.S. Cl.** **D7/352**

(58) **Field of Classification Search** D7/323,
D7/328-332, 334-339, 352-363; 99/219,
99/349, 323-325, 327, 333, 339-342, 369,
99/425, 372-385, 392-395, 400, 401, 444-450,
99/466, 601, 618-620; 219/492-495, 521,
219/525, 620-622; 415/232; 426/138, 441,
426/442, 501, 514, 523

See application file for complete search history.

(56) **References Cited**

U.S. PATENT DOCUMENTS

1,438,602 A	*	12/1922	Kruesheld	99/378
D77,095 S	*	12/1928	Hurxthal	D7/352
D247,764 S	*	4/1978	Carbon	D7/352
4,967,650 A	*	11/1990	Weigle	99/374
5,636,564 A	*	6/1997	Weiss	99/332

5,768,994 A	*	6/1998	Bobo	99/374
6,167,796 B1	*	1/2001	Wright et al.	99/332
D465,965 S	*	11/2002	Dalton et al.	D7/352
D488,667 S	*	4/2004	Seum et al.	D7/352
D504,276 S	*	4/2005	Vial	D7/352

* cited by examiner

Primary Examiner—Cathron C. Brooks

Assistant Examiner—Ricky Pham

(74) *Attorney, Agent, or Firm*—Moonray Kojima

(57) **CLAIM**

The ornamental design for a waffle iron, as shown and described.

DESCRIPTION

FIG. 1 is a front top perspective view of a waffle iron showing my new design;
 FIG. 2 is a front top perspective view thereof; wherein the device is in a closed storing position.
 FIG. 3 is a rear top perspective view thereof; wherein the device is in a closed storing position.
 FIG. 4 is a front top perspective view thereof; wherein the lid is in an open position.
 FIG. 5 is a left elevational view thereof;
 FIG. 6 is a front elevational view thereof; the rear elevational view being a mirror image.
 FIG. 7 is a top plan view thereof; and,
 FIG. 8 is a bottom plan view thereof.

1 Claim, 5 Drawing Sheets

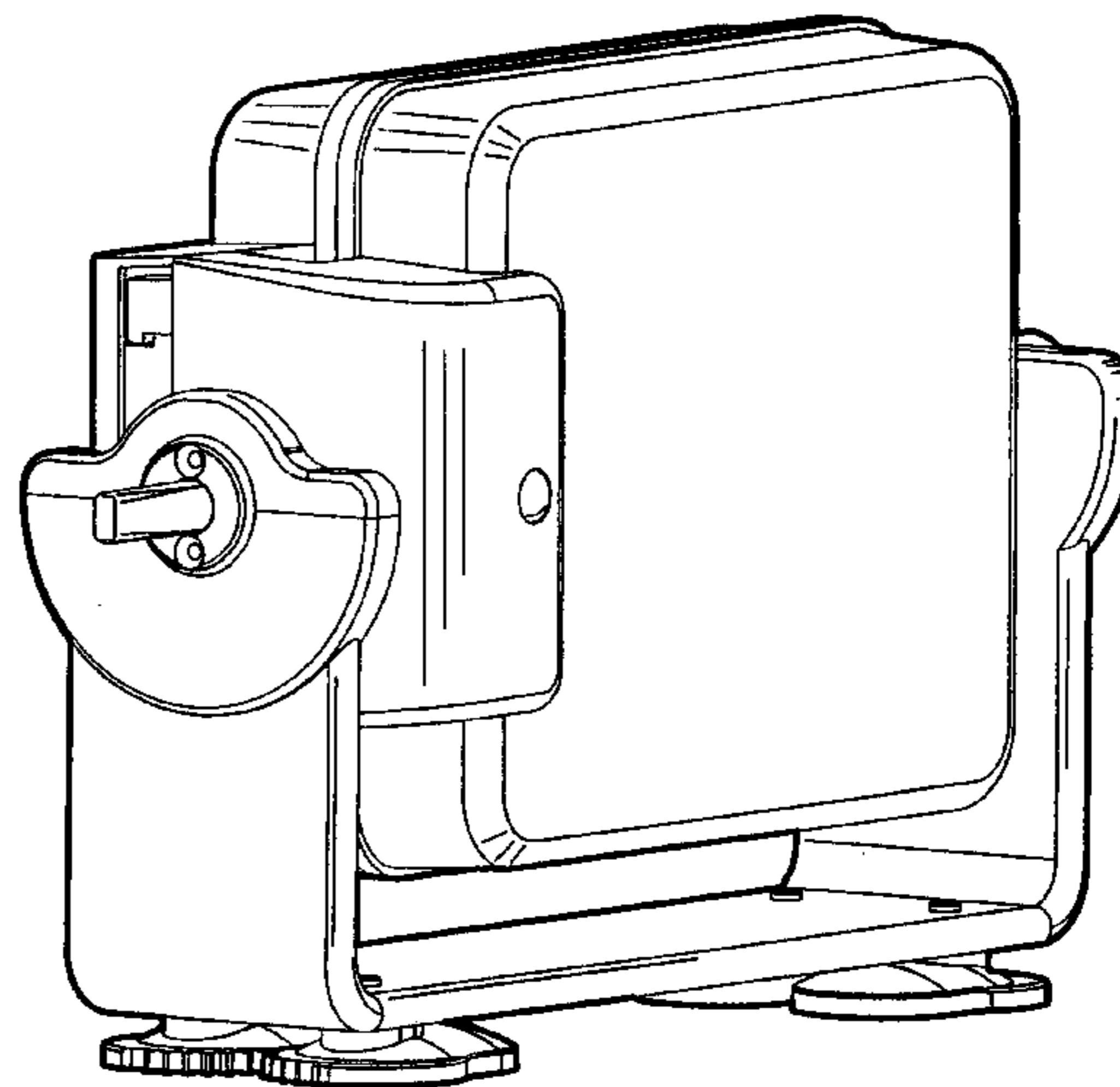
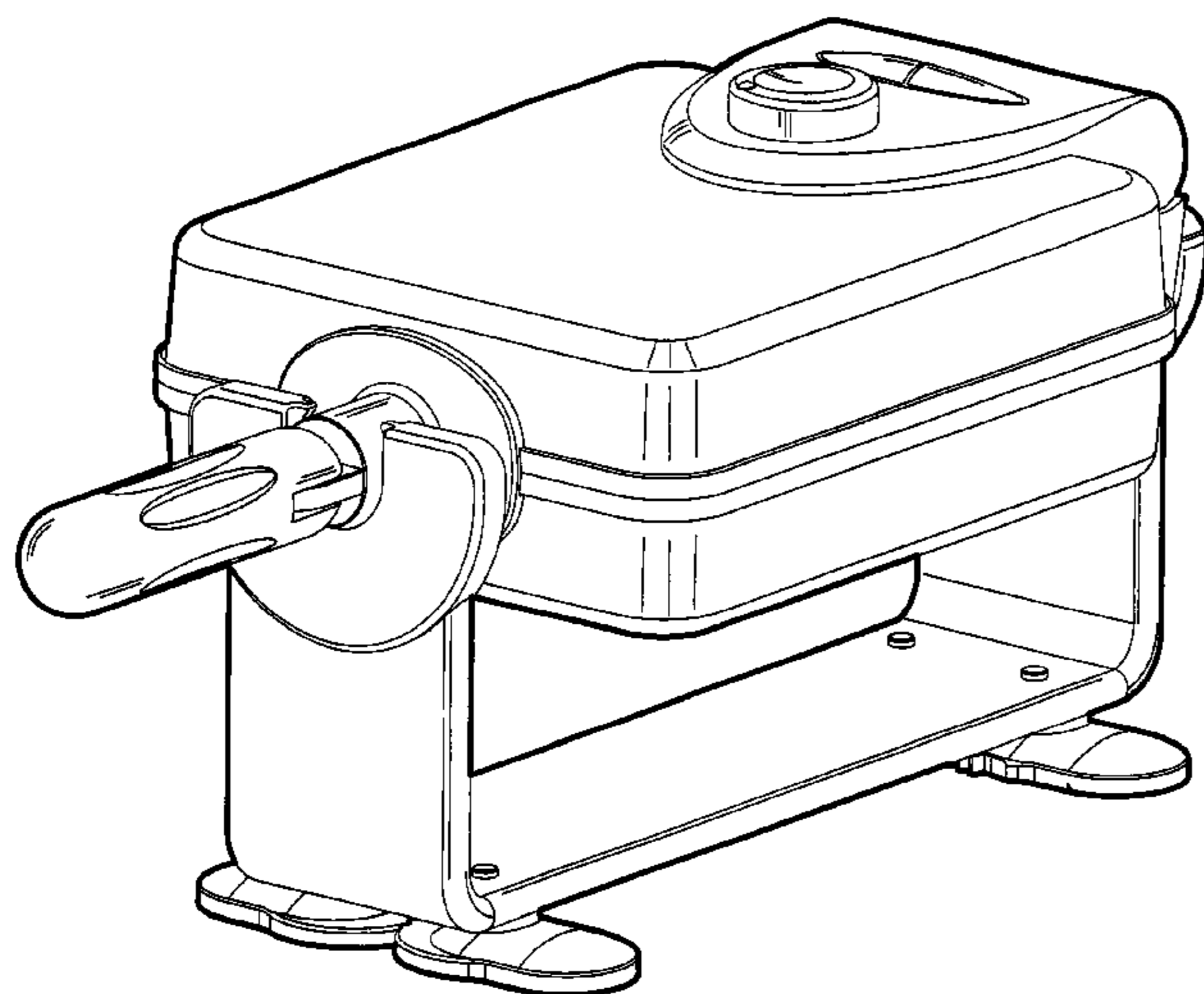


FIG. 1

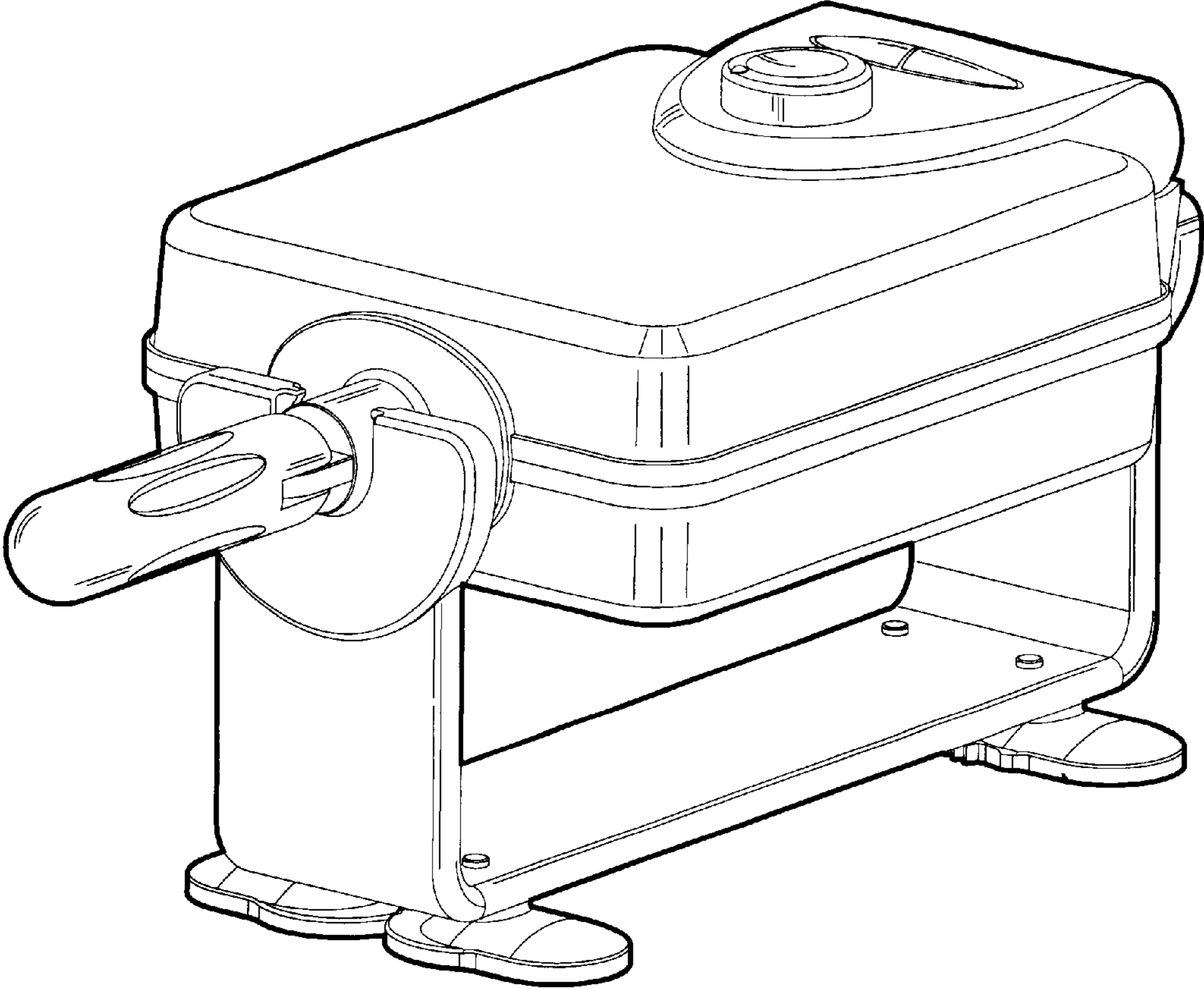


FIG. 2

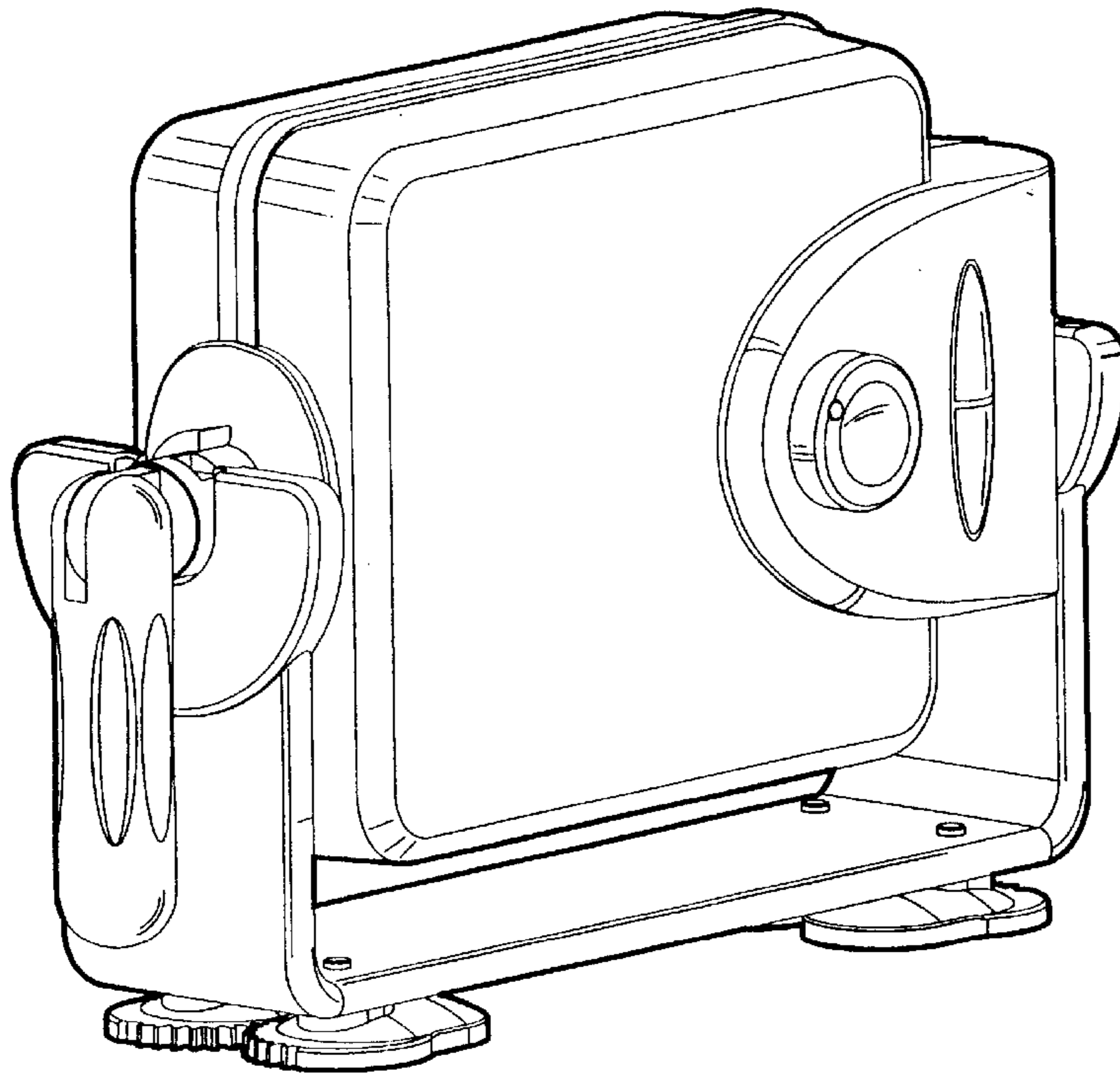


FIG. 3

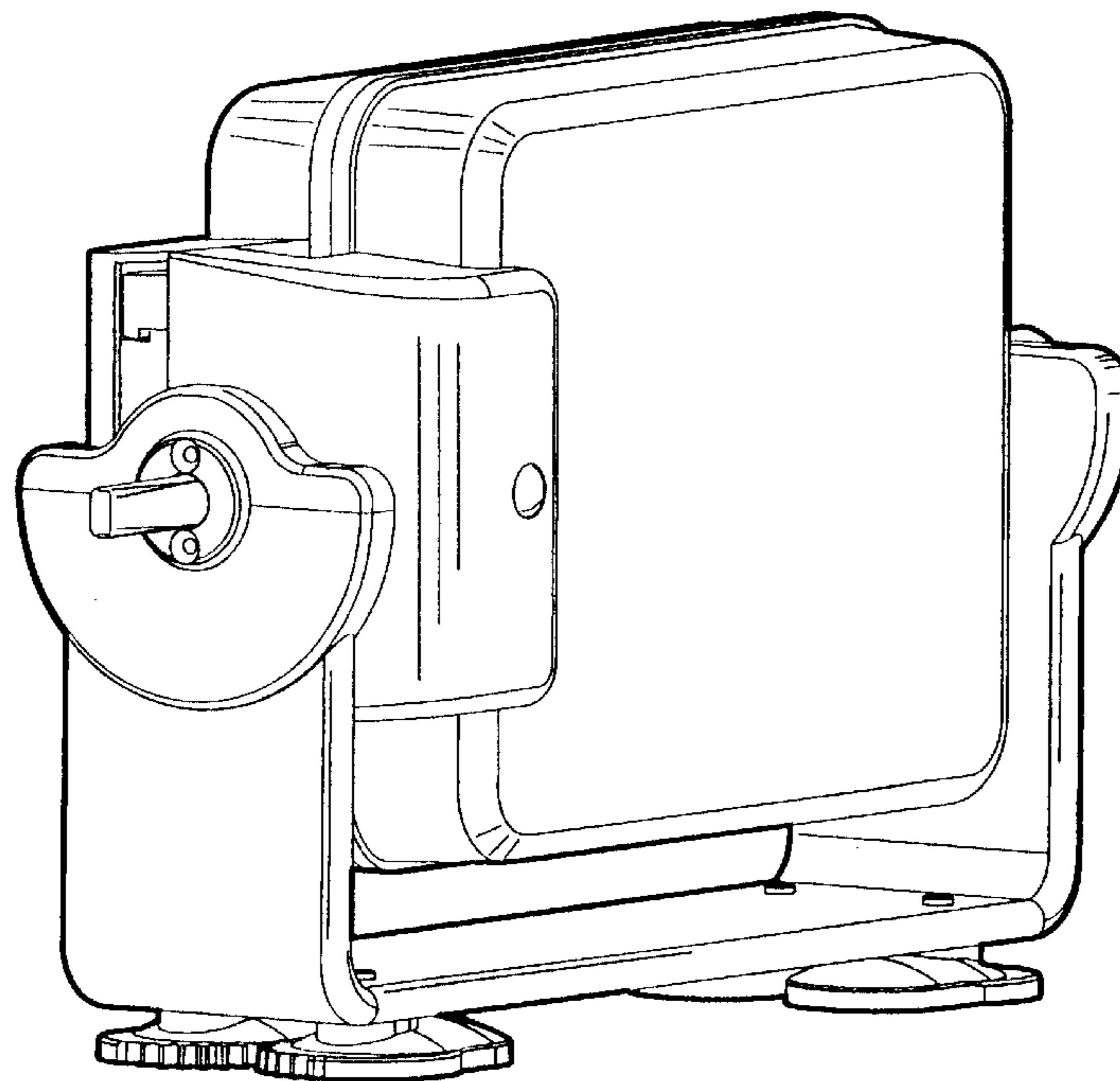


FIG. 4

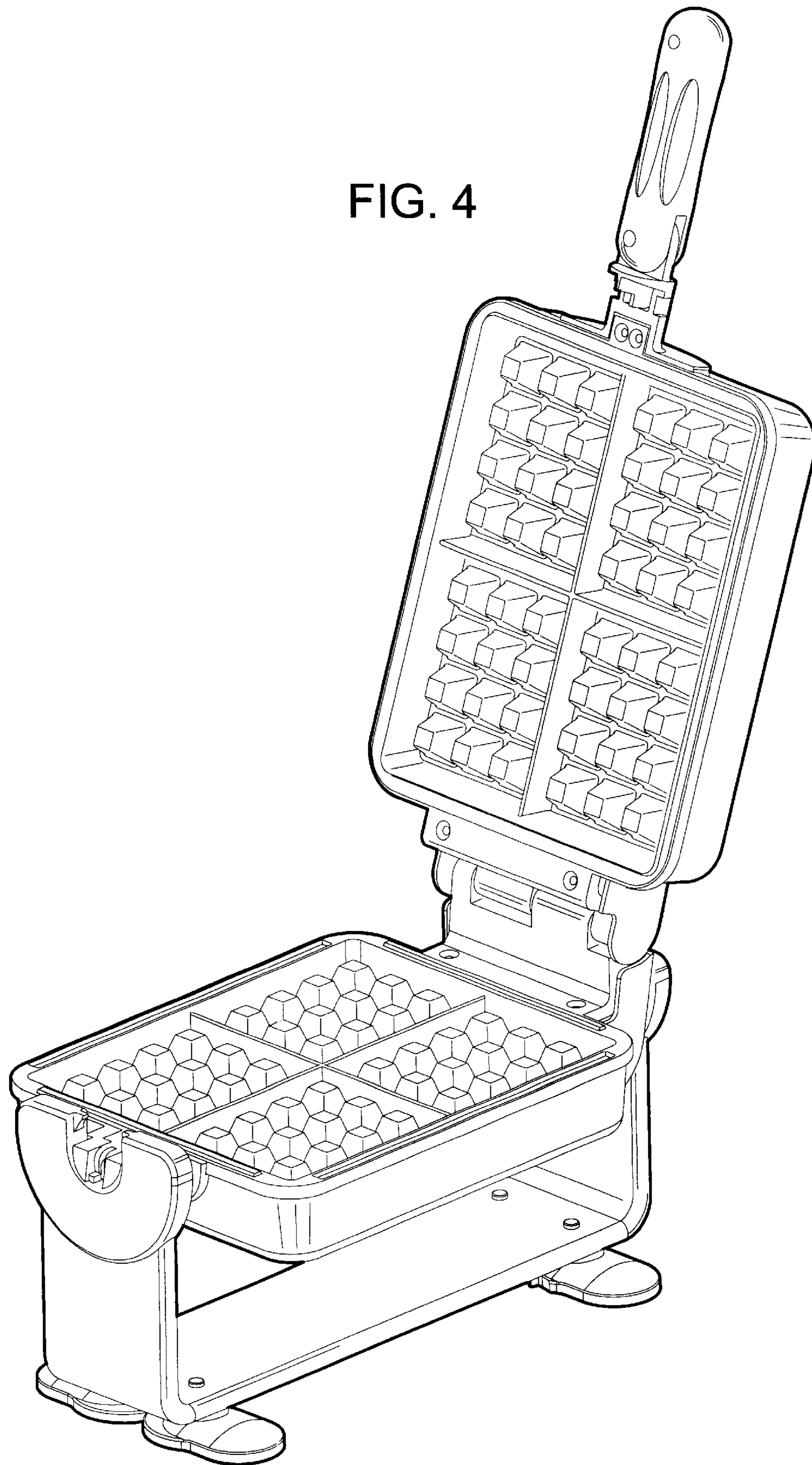


FIG. 5

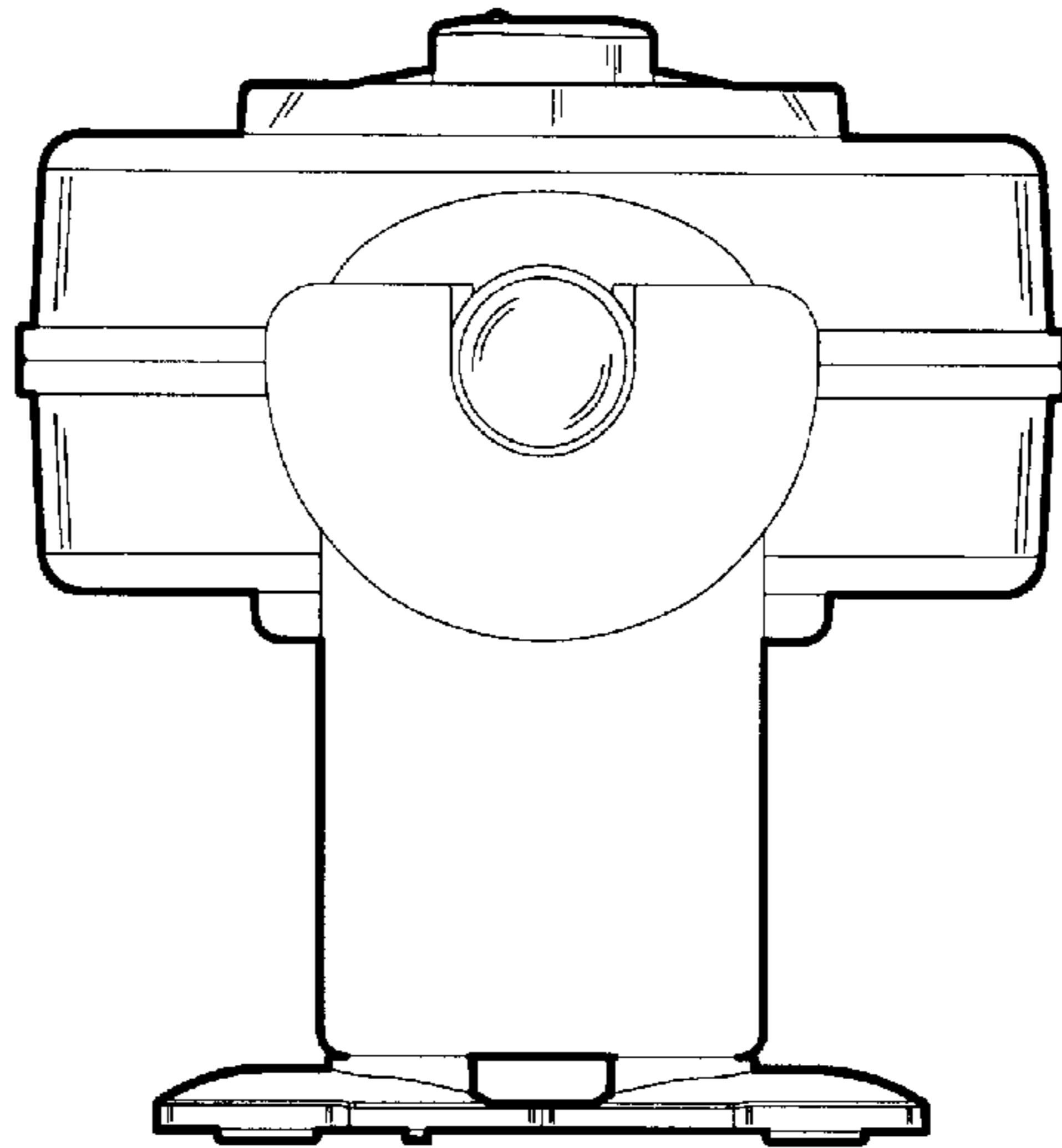


FIG. 6

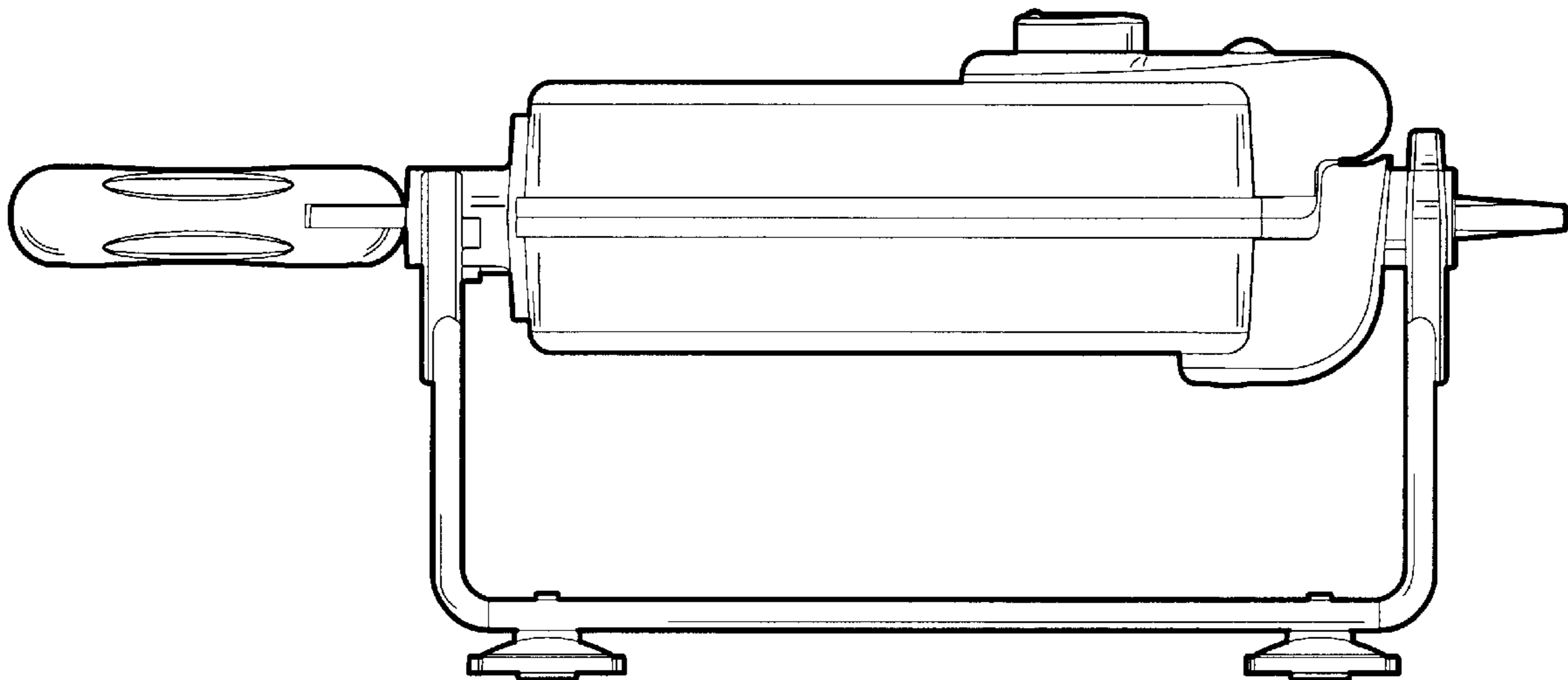


FIG. 7

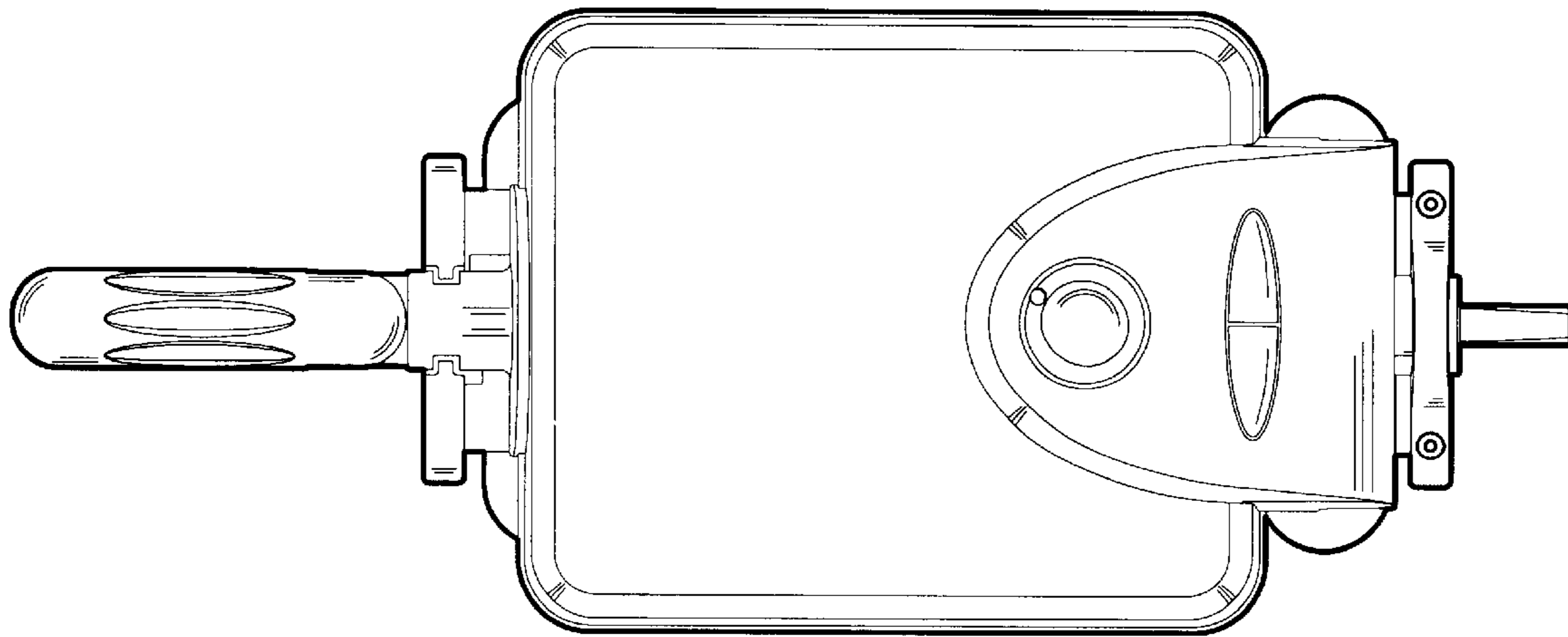


FIG. 8

