

US00D522800S

(12) **United States Design Patent**
Lee et al.

(10) **Patent No.:** **US D522,800 S**
(45) **Date of Patent:** **** Jun. 13, 2006**

(54) **MICROWAVE OVEN**

(75) Inventors: **Mun Woo Lee**, Yongin-si (KR); **Soo Yeon Kim**, Seoul (KR)

(73) Assignee: **LG Electronics Inc.**, Seoul (KR)

(**) Term: **14 Years**

(21) Appl. No.: **29/219,034**

(22) Filed: **Dec. 13, 2004**

(30) **Foreign Application Priority Data**

Jun. 14, 2004 (KR) 30-2004-0017670

(51) **LOC (8) Cl.** **07-02**

(52) **U.S. Cl.** **D7/351**

(58) **Field of Classification Search** D7/350.1,
D7/350.2, 350.3, 350.4, 351, 402-403, 405-406;
126/19 M, 275 E, 273 A; 219/756-758, 391,
219/402, 393; 99/DIG. 14

See application file for complete search history.

(56) **References Cited**

U.S. PATENT DOCUMENTS

D315,656 S * 3/1991 Kim D7/351

D318,397 S * 7/1991 Jung D7/351
D370,824 S * 6/1996 Kim D7/351
D435,999 S * 1/2001 Noda et al. D7/351
D455,932 S * 4/2002 Noda et al. D7/351
D478,465 S * 8/2003 Kanza D7/351

* cited by examiner

Primary Examiner—Ruth McInroy

(74) *Attorney, Agent, or Firm*—Birch, Stewart, Kolasch & Birch, LLP

(57) **CLAIM**

We claim the ornamental design for microwave oven, as shown and described.

DESCRIPTION

FIG. 1 is a Perspective view of microwave oven showing the new design:

FIG. 2 is a Front Elevation View thereof;

FIG. 3 is a Rear Elevation View thereof;

FIG. 4 is a Left-side Elevation View thereof;

FIG. 5 is a Right-side Elevation View thereof;

FIG. 6 is a Top Plan View thereof; and,

FIG. 7 is a Bottom Plan View thereof.

1 Claim, 4 Drawing Sheets

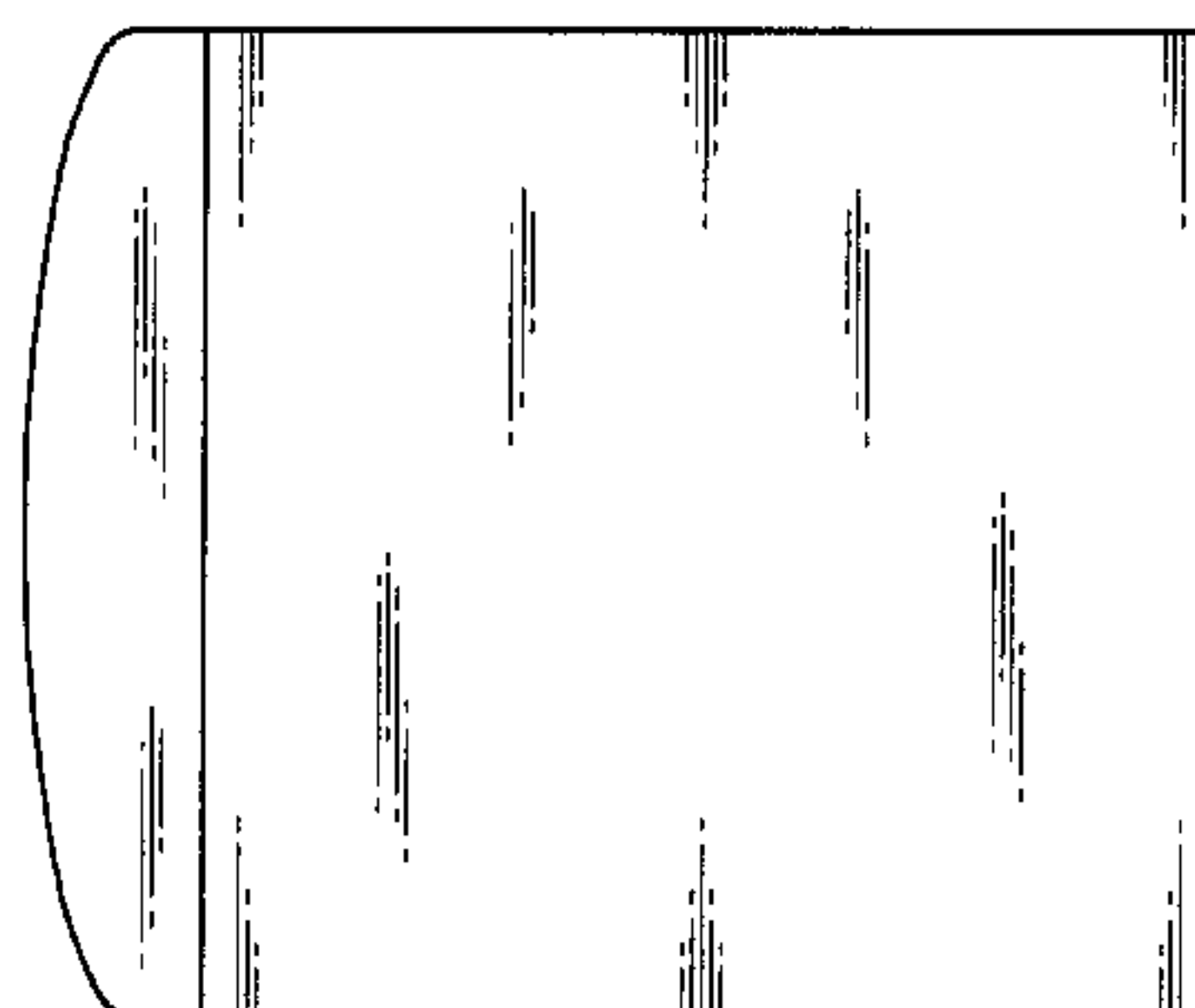
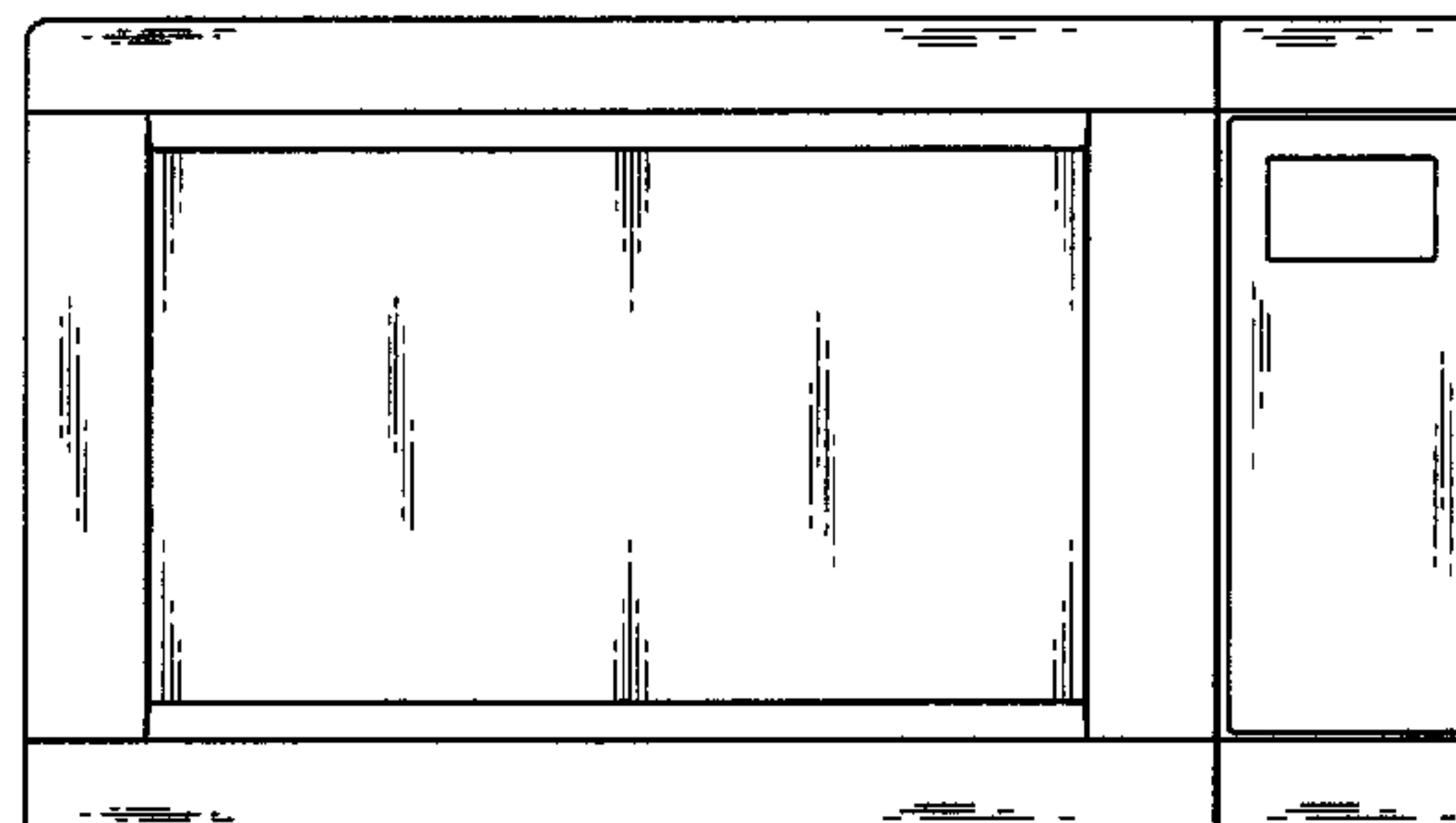
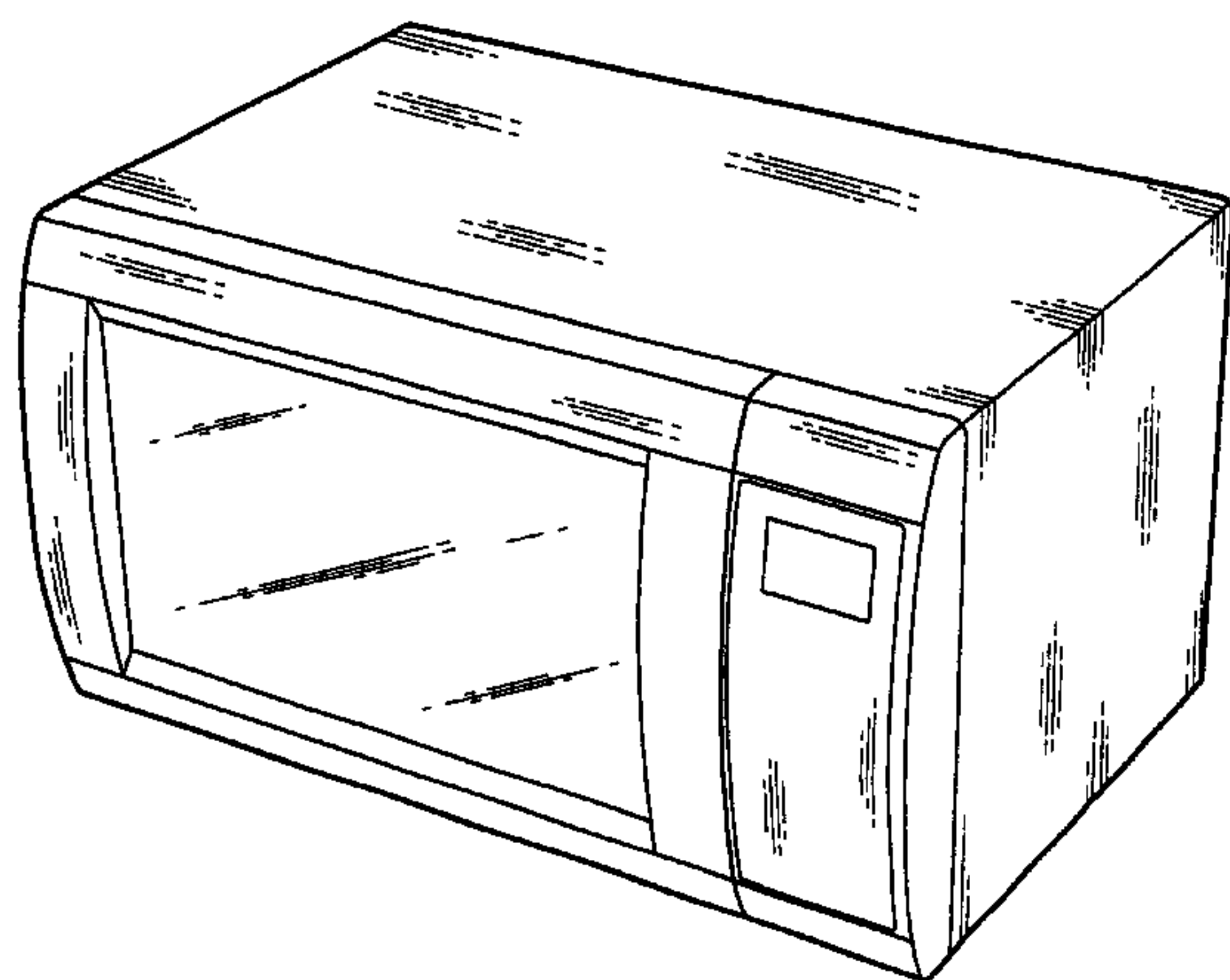


FIG. 1

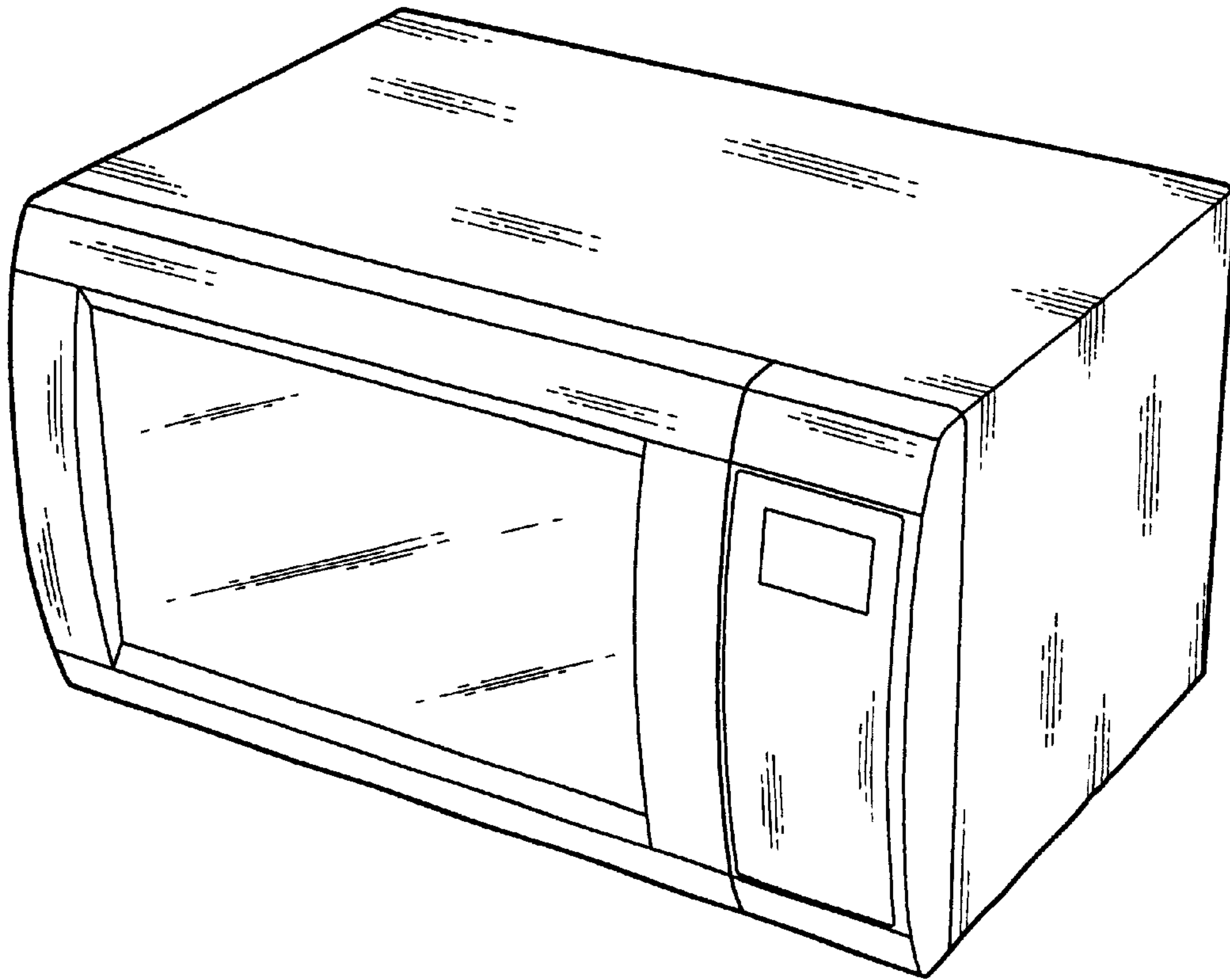


FIG. 2

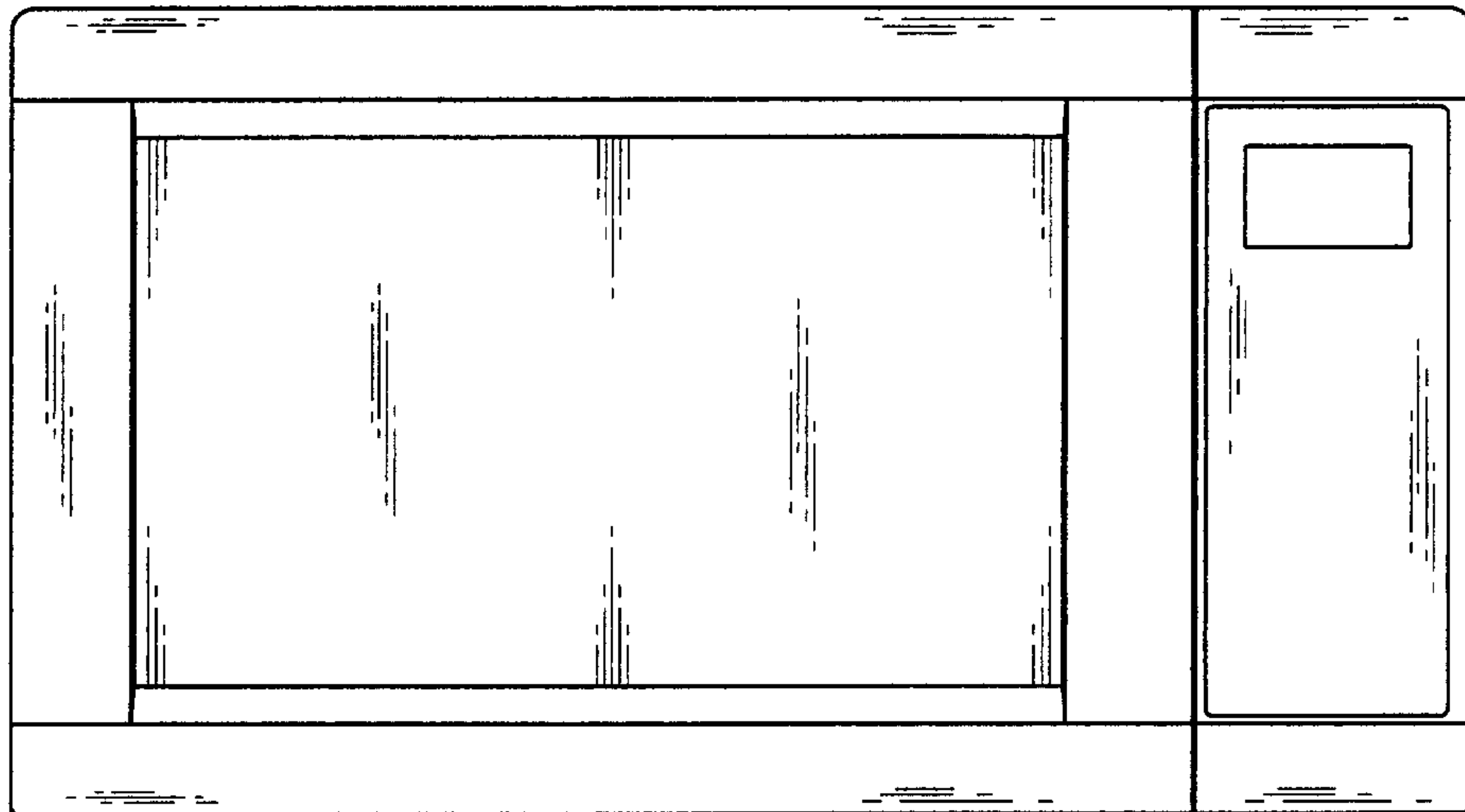


FIG. 3

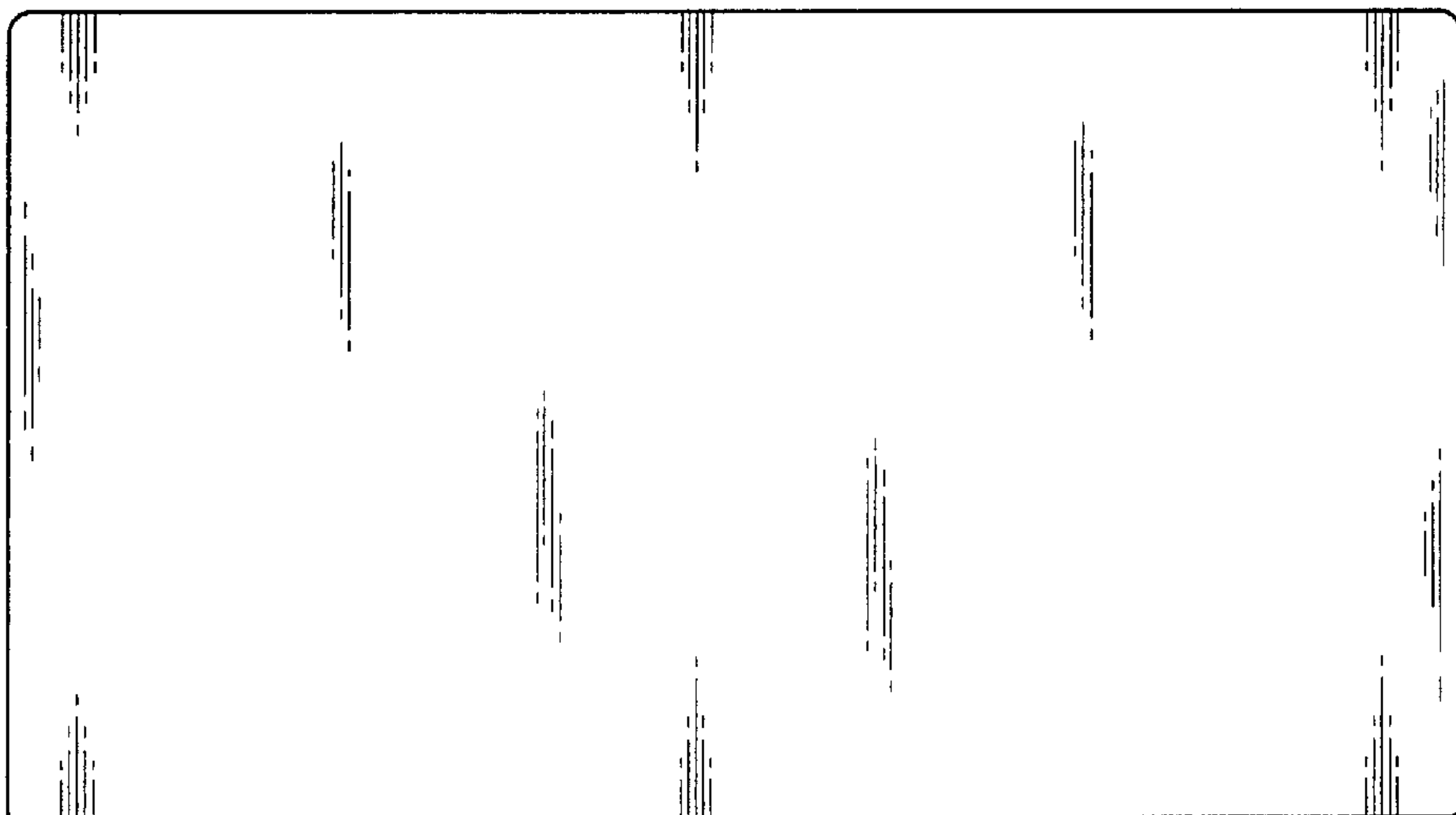


FIG. 4

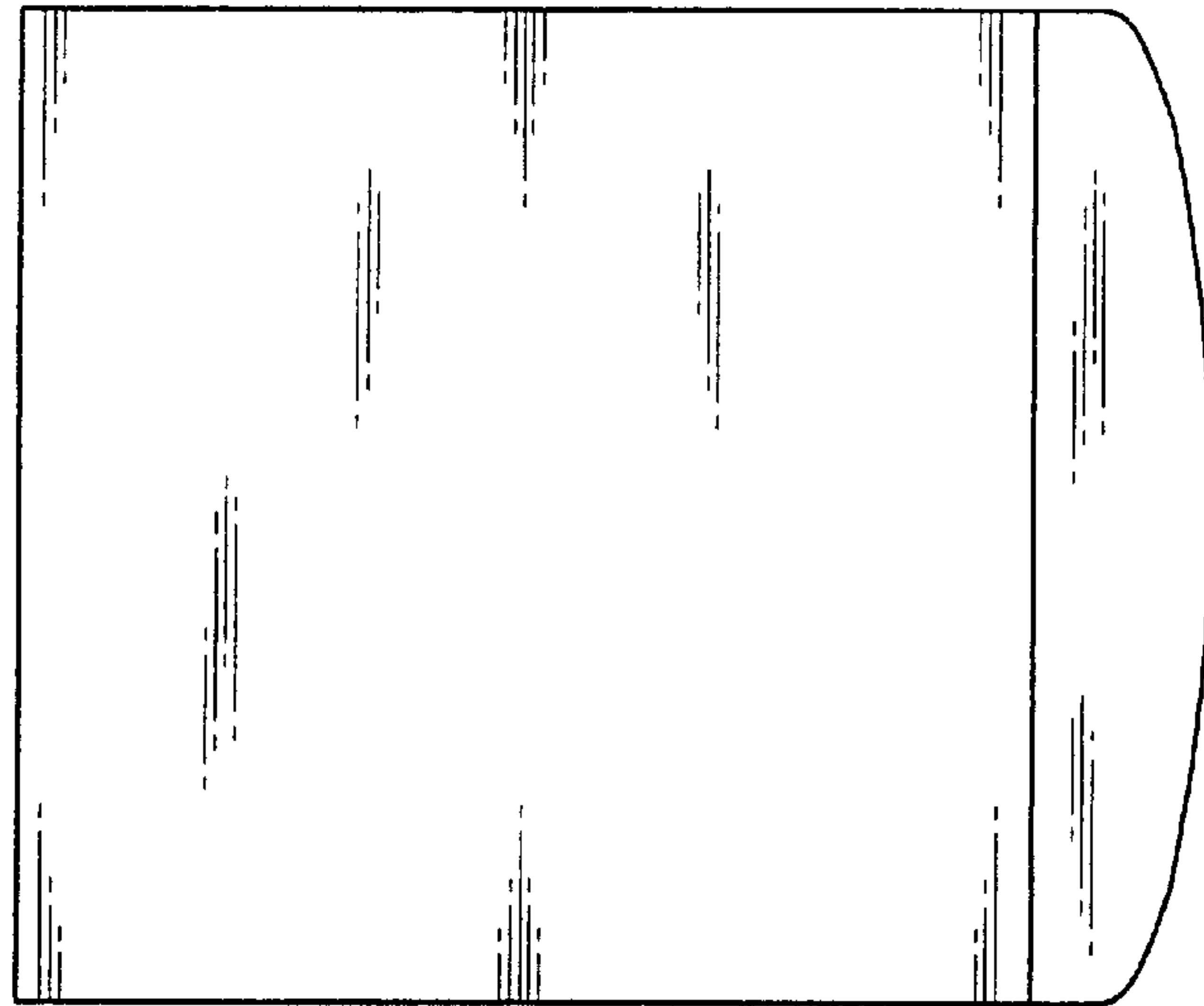


FIG. 5

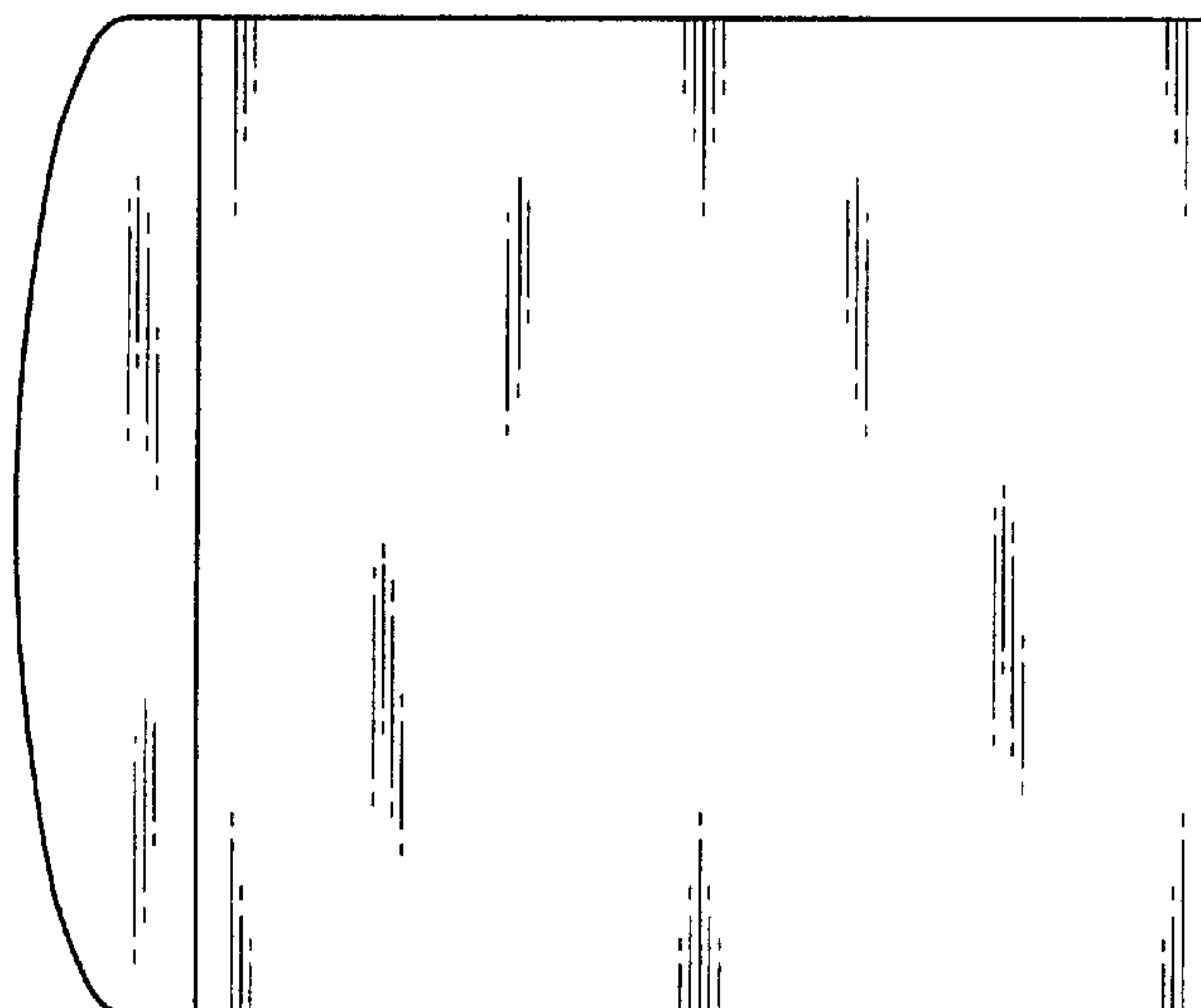


FIG. 6

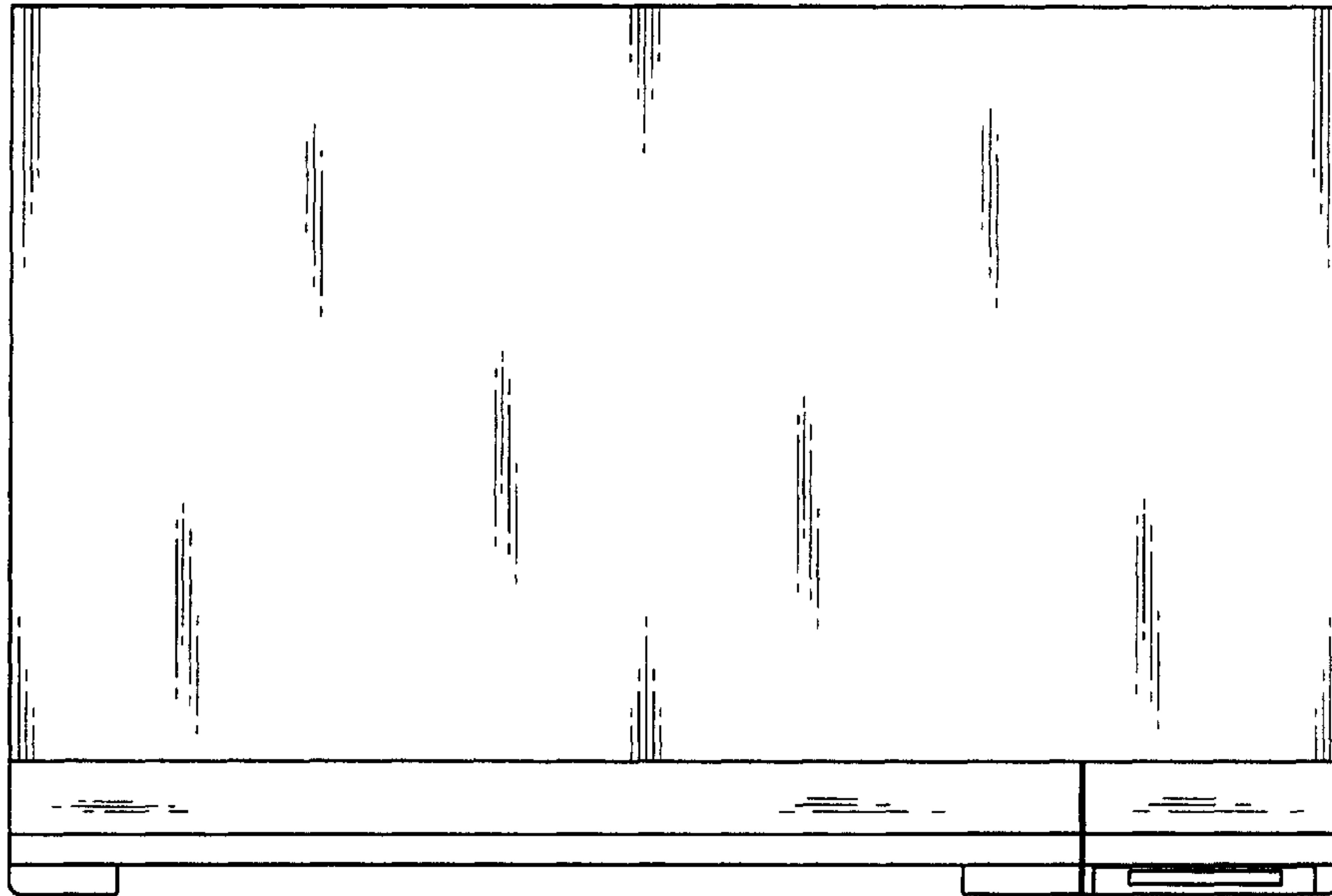


FIG. 7

